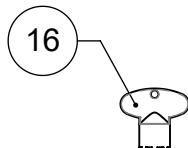
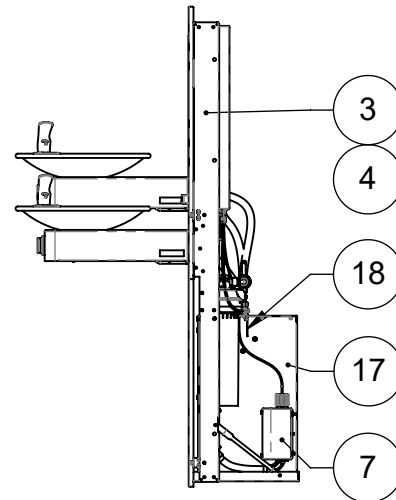
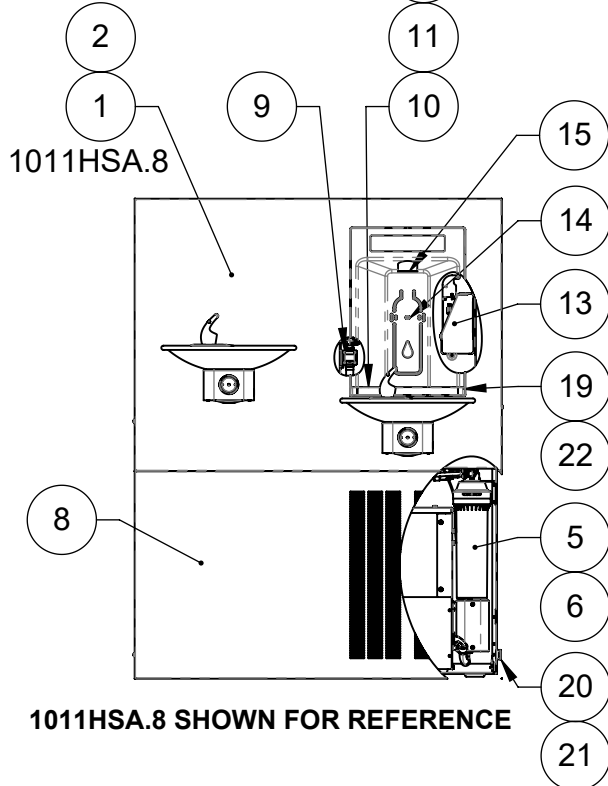

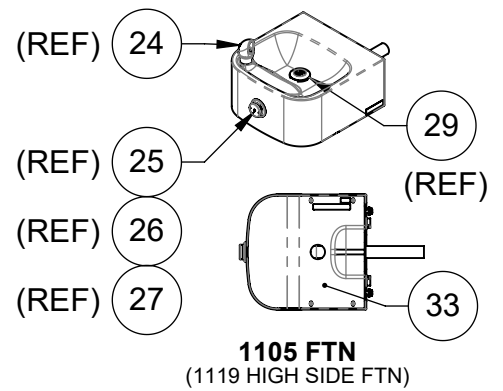
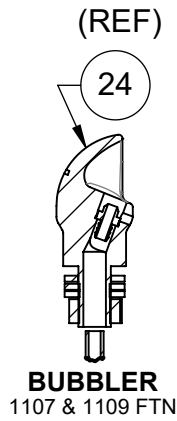
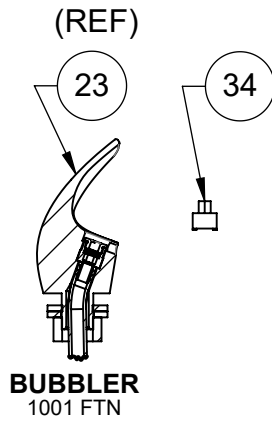
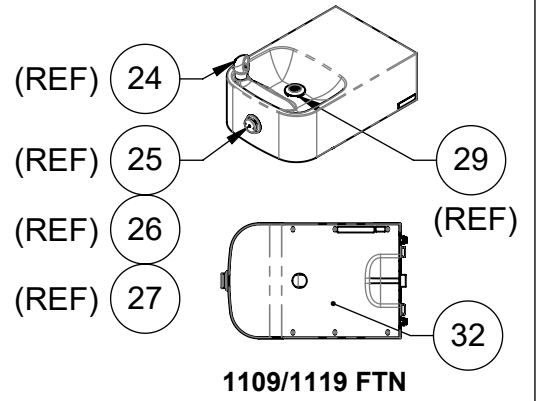
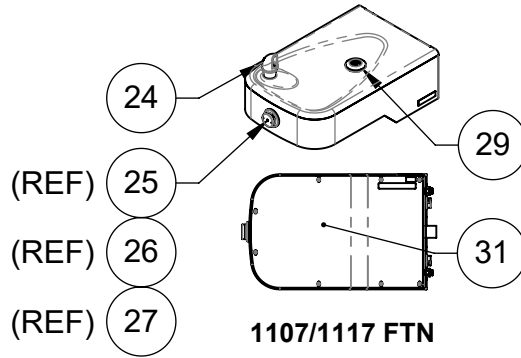
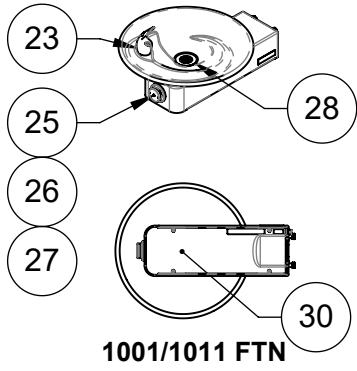


ITEM	DESCRIPTION	PART NO.
1	BOTTLE FILLER, 1011 HS MODELS	HS4
2	BOTTLE FILLER, 1117/1119 HS MODELS	HS6
3	FRAME, MOUNTING, SINGLE, W/CORD, RIVIVE FTN & 2000HSA.8	HS11
4	FRAME, MOUNTING, DUAL, W/CORD, RIVIVE FTN MODELS	HS12
5	FILTER, 12XX EWC, LEAD/CYST/CTO	6428
6	STRAINER, MESH, 110 MICRON, NON-SERVICEABLE	6434
7	RELAY, POWER, SPDT, 10A, 240VAC SW, 12VDC COIL	0210001185
8	PANEL, LOWER, 304 SST, HI-LO CHILLED	0410000924
9	VALVE, SOLENOID, 3/8 QC, 120VAC	0110000827.4
10	DRAIN BASIN, HS MODELS	0410000894
11	GRATE, 304 SST, HS MODELS	0410000895
12	SCREW, 8-32 UNC X .375, SST, PAN, T-20 TORX	0310000550
13	FUSE, 10A-250VAC, SLOW BLOW, 5MM X 20MM, GLASS	0210001120
14	PCBA, PROXIMITY SENSOR, HS MODELS	0210001175
15	AERATOR, LAMINAR FLOW CONTROL, 1.2 GPM	0110001537
16	AERATOR INSTALLATION TOOL	0510000672
17	CHILLER REMOTE 115V/60HZ	HCR8
18	RFID BOARD PCBA	0210000745.6
19	COVER, CORNER, HS MODELS	0410000897
20	CLIP, PANEL ATTACHMENT, HS MODELS	0410000903
21	SCREW, 8-32 UNC X .500, SST, PAN, T-20 TORX	0310000551
22	SCREW, 10-24 UNC X .563, SST, BUTTON HEAD, T20 TORX	0310000540
23	BUBBLER HEAD, PCP, 1001 BOWL	5705
24	BUBBLER HEAD, PCP, 1107 AND 1109 FTN	5703M
25	BUTTON, PUSH, 5874, FLANGED W/ VALVE	5874PBF
26	BUTTON, PUSH, 5874, FLANGED	PBA6
27	VALVE REPAIR KIT	VRK5874
28	STRAINER, WASTE ASSEMBLY, SCP OR PCP, 1001 FTN	6463
29	STRAINER, WASTE ASSEMBLY, 1107 AND 1109 FTN	6462
30	PLATE, BOTTOM, 1001 FTN	PBM1000
31	PLATE, BOTTOM, 1107 FTN	PBM1107
32	PLATE, BOTTOM, 1109 FTN	PBM1109
33	PLATE, BOTTOM, 1105 FTN	PBM1105
34	DRIVER, NOZZLE, .25 HEX	0002082253


1117HSA.8  
1119HSA.8



		1455 KLEPPE LANE SPARKS, NEVADA 89431 (775) 359-4712 FAX (775) 359-7424 E-MAIL: HAWS@HAWSO.COM WEBSITE: WWW.HAWSO.COM	
		ECN: 6000 REV. ECN: 6000 BY: DHP DRAWN: DHP APPROVED: DHP	DATE: 12/15/22 DATE: 08/02/24
WHEN ORDERING PARTS, PLEASE SPECIFY PART NUMBER			
© 2024 Haws Corporation - All Rights Reserved. HAWS® and other trademarks used in these materials are the exclusive property of Haws Corporation.		SCALE: 1:20   DRAWING TYPE: PARTS BREAKDOWN   SIZE: A   SHEET 1 OF 2	PAGE 10 OF 22



WHEN ORDERING PARTS, PLEASE SPECIFY PART NUMBER

		1455 KLEPPE LANE SPARKS, NEVADA 89431 (775) 359-4712 FAX (775) 359-7424 E-MAIL: HAWS@HAWSO.COM WEBSITE: WWW.HAWSO.COM	
ECN: 6000	REV. ECN: 6000	BY: DHP	MODEL(S) 1XXXHSA.8, DUAL FOUNTAIN MODELS, CHILLED
DRAWN: DHP	DATE: 12/15/22	CHKD: JU	PART NUMBER 0510002201
APPROVED: DHP	DATE: 08/02/24	SCALE: 1:20	REVISION 1
DRAWING TYPE: PARTS BREAKDOWN		SIZE: A	SHEET 2 OF 2