

FEATURES & BENEFITS

CONSTRUCTION

Rugged ADA accessible 18 gauge Type 304 Stainless Steel swirl design bowls, 14 gauge Type 304 Stainless Steel brackets and bottle filler, and vandal-resistant bottom plates provides a long lasting unit with added peace of mind.

BOTTLE FILLER

Vandal-resistant, 14-gauge Type 304 stainless steel bottle filler housing with touchless operation and 1 gpm (3.78 L) laminar flow.

VANDAL RESISTANT

The bubbler heads, push buttons, sensor, round bowls, drain strainers and bottom plates are locked in place, discouraging unwanted vandal tampering, and 30-second obstruction time-out to reduce tampering of sensor.

BUBBLER HEADS

Polished chrome-plated brass bubbler heads with integral laminar flow prevents splashing while providing a superior flow pattern. The integral 11/16" dia. basin shank and stainless anti-rotational roll pin add vandal resistant strength. Shielded, angled stream opening provides a steady source of drinking water at .45 gpm.

FOUNTAIN VALVES

Bottle filler incorporates a touchless sensor operated stainless steel solenoid valve controlled by a transformer, and a push-button activated valve which offers the only all stainless-steel valve body that is machined out of solid bar stock and is fully serviceable through the front of the push button assembly offering access to the water control cartridge and integral water supply strainer on the fountain.

MOUNTING

Heavy-duty 16-gauge galvanized steel mounting frame with welded-in heavy-duty 10 gauge mounting plate with pre-punched mounting holes. Further convenience is given to the chiller with the integral fold-out shelf.

OPTIONS

- Mounting Plate: Model 6700, in-wall mounting plate for model 1920.
- Mounting Plate: Model 6700R, on-wall mounting plate for model 1920.
- Bottle Filler Stand: Model BTL1001, add-on stainless steel stand to place bottle on when 1920 bottle filler is used.
- Water Filter: Model 6426, 12" x 2" (30.5 x 5.1 cm), in-line lead removal element that reduces lead from incoming water supply.

For more information, visit www.hawscow.com or call (888) 640-4297.



SPECIFICATIONS

H1011.8 / MTGFR.LG / HCR8 / 1920HO / BP32

Order these items to make up the Model H1011.8-1920HO fountain with stainless steel back panel and grille, touchless bottle filler with stainless steel back plate, and remote chiller shown above.

FOR INDOOR USE ONLY

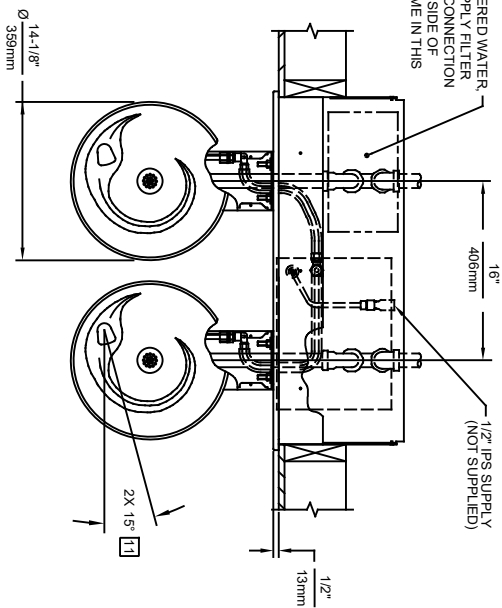
APPLICATIONS

Model H1011.8-1920HO ADA vandal-resistant wall-mounted drinking fountain and motion activated bottle filler shall include dual 18-gauge Type 304 Stainless Steel satin finish basins with integral swirl design, 14 gauge Type 304 Stainless Steel wall brackets and bottle filler bracket, 100% lead-free waterways, touchless sensor operated solenoid valve with 30-second obstruction time-out on the bottle filler, and vandal-resistant push-button operated stainless-steel valves with front-accessible cartridge and flow adjustment on the fountain, polished chrome-plated brass vandal resistant bubbler heads with integral laminar anti-squirt flow, 1 gpm (3.78 L) laminar flow bottle filler, chrome-plated brass vandal-resistant waste strainers, vandal-resistant bottom plates, stainless steel satin finish back panels and louvered intrusion-proof grill, high and low fountain mounting levels, and 1-1/4" O.D. (3.2 cm) waste pipes. The R-134a refrigeration system is hermetically sealed and delivers a minimum of 8 gph (30.3 L) of water at 50° F (10° C), 115 Volts, 60Hz, rated watts: 370, full load amps: 5. Haws electric water coolers comply with ARI Standard 1010 and ANSI A117.1, and are listed by Underwriter Laboratories to U.S. and Canadian standards. Manufactured to be lead-free by all known definitions including NSF/ANSI/CAN 61-Section 9, NSF/ANSI/ CAN 372, California Proposition 65, and the Federal Safe Drinking Water Act. Product is compliant to California Health and Safety Code 116875 (AB 1953-2006), and 116876 (AB 100) "NSF/ANSI/CAN 61: Q ≤ 1".

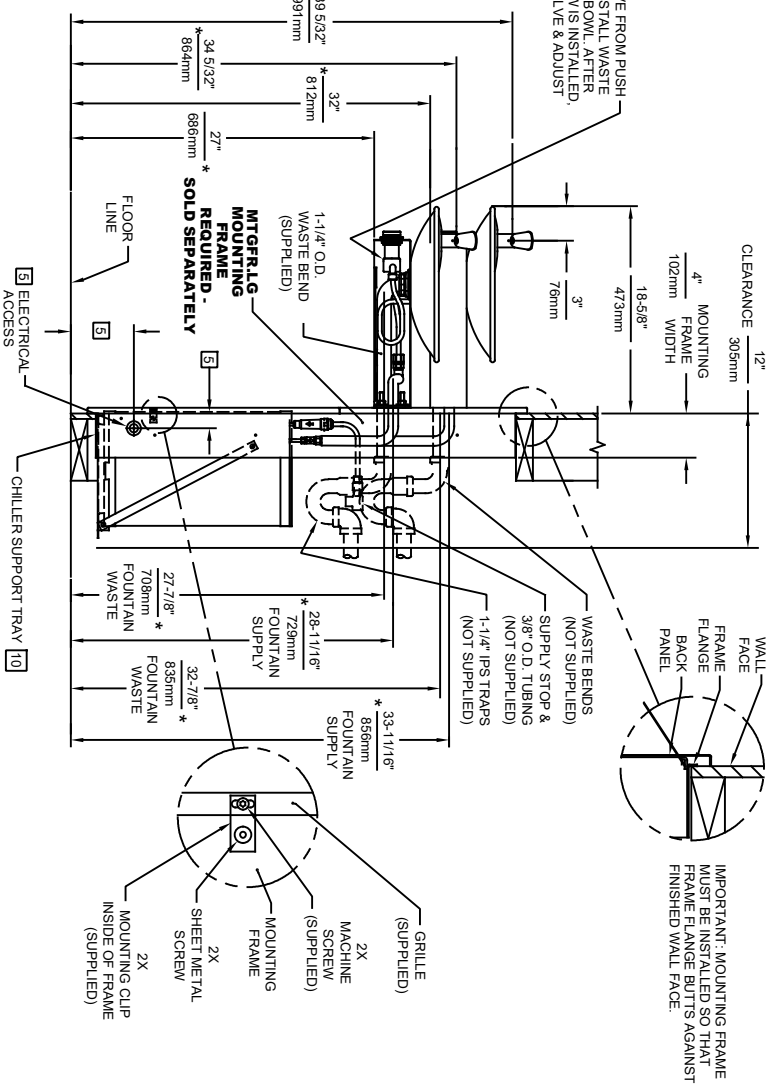
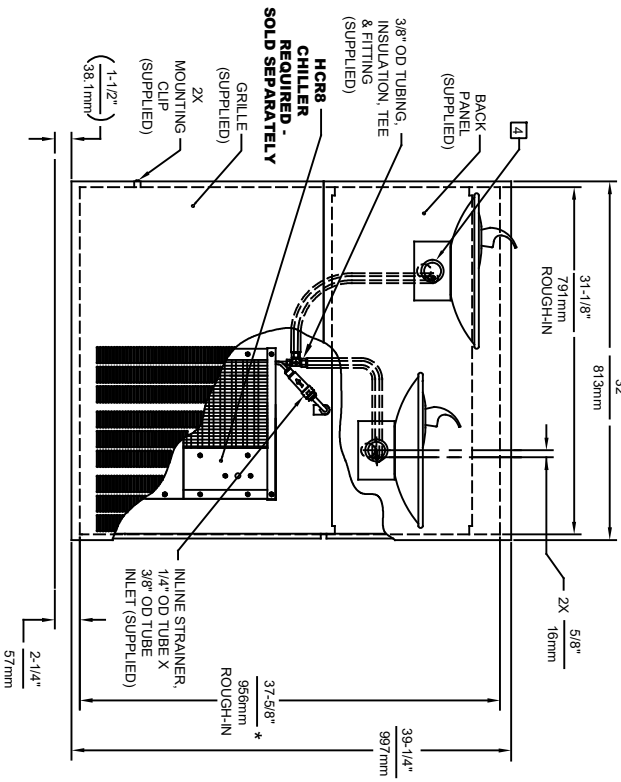
The bottle filler requires a mounting plate; either the Haws model 6700 in-wall or the 6700R on-wall support plate.



NOTE: FOR FILTERED WATER OTHERS TO SUPPLY FILTER PRIOR TO THIS CONNECTION AND MOUNT TO SIDE OF MOUNTING FRAME IN THIS LOCATION.



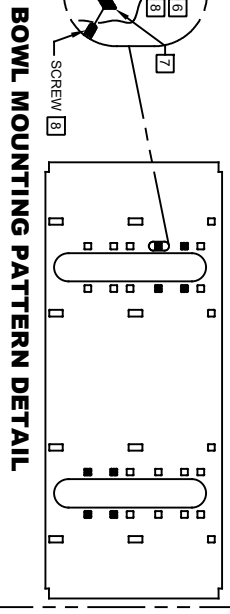
REMOVE VALVE FROM PUSH BUTTON TO INSTALL WASTE ELBOW ONTO BOWL. AFTER WASTE ELBOW IS INSTALLED REINSTALL VALVE & ADJUST FLOW.



- NOTES:**
1. HOLD ROUGH-IN DIMENSIONS ±1/8" (3.2mm).
 2. WHEN INSTALLING THIS UNIT, LOCAL, STATE, OR FEDERAL CODES SHOULD BE ADHERED TO. FOR DIMENSIONS (LOCATIONS), WASTE AND SUPPLY REQUIREMENTS OTHER THAN SHOWN, DIMENSIONS MARKED (*) MUST BE ADJUSTED ACCORDINGLY.
 3. INSTALLER MUST PROVIDE TRAP FOR PROPER INSTALLATION.
 4. REFER TO 8974 SERIES OPERATION AND MAINTENANCE MANUAL FOR PUSH BUTTON AND VALVE INSTALLATION/MAINTENANCE INSTRUCTIONS.
 5. REFER TO MTGR.LG INSTALLATION DRAWING FOR ROUGH-IN DIMENSIONS.
 6. INSERT 5/16"-18 PANEL, INSERTS FROM OPPOSITE SIDE AT LOCATIONS SHOWN BY DARKENED HOLES. HOLE COMBINATIONS SHOWN ARE FOR USE WITH LOW FOUNTAIN ON THE RIGHT AND THE HI FOUNTAIN ON THE LEFT. USE OPPOSITE HOLES FOR HI ON RIGHT AND LOW ON LEFT.
 7. HOLE COMBINATION SHOWN BELOW IS FOR USE WITH LOW FOUNTAIN ON THE RIGHT AND HIGH FOUNTAIN ON THE LEFT. USE OPPOSITE HOLES FOR HIGH ON RIGHT AND LOW ON LEFT.
 8. TO CHANGE FOUNTAIN MTS. SCREW LOCATIONS, FIRST REMOVE SCREWS AND THEN SQUEEZE CLIPS ON NUT RETAINER TO POP OUT. SNAP INTO NEW POSITIONS AND RE-ASSEMBLE SCREWS.
 9. IMPORTANT: A.L.H. LOW (OPTIONAL) CONJUGATION WILL REQUIRE A DIFFERENT BACK PANEL AND THE WASTE AND SUPPLY DIMENSIONS SHOWN (*) MUST BE REVERSED.
 10. ALIGN HOLES IN CHILLER SUPPORT TRAY WITH HOLES IN FRAME AND FASTEN WITH #10 SHEET METAL SCREWS.
 11. MAXIMUM ADJUSTABLE RANGE IS 15" FROM PARALLEL TO BACK WALL.

WALL FACE
FRAME FLANGE
BACK PANEL

IMPORTANT: MOUNTING FRAME MUST BE INSTALLED SO THAT FRAME FLANGE BUTS AGAINST FINISHED WALL FACE.



BOWL MOUNTING PATTERN DETAIL

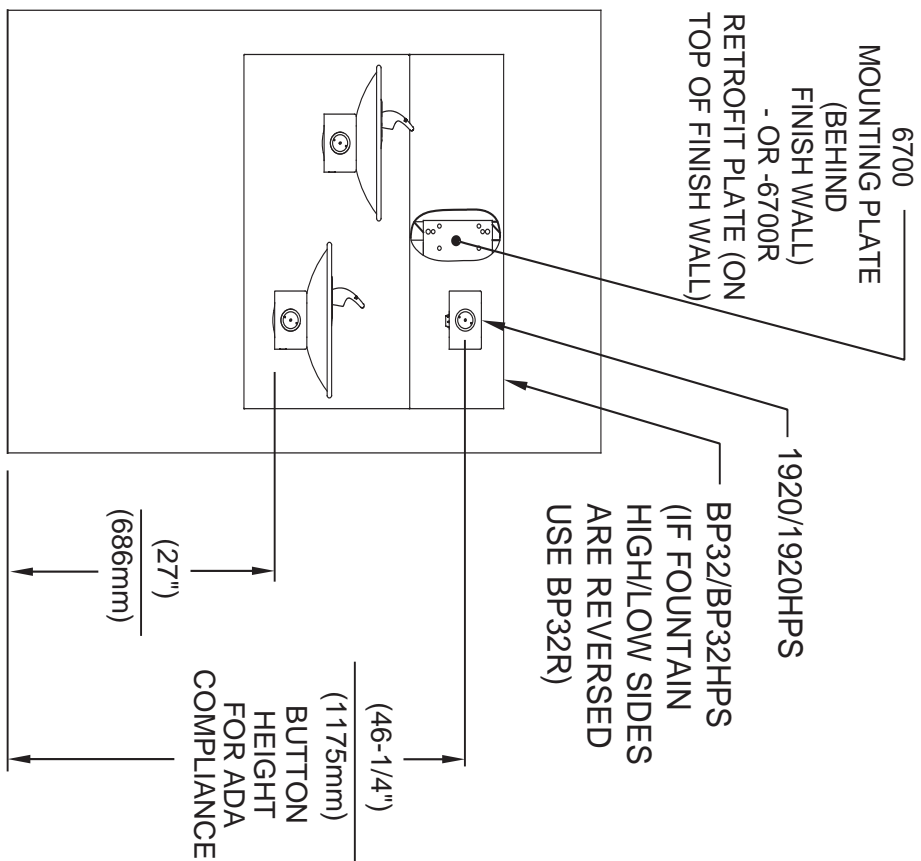


Haws

1456 KLEPPE LANE
SPARKS, NEVADA 89431
(775) 359-4712 FAX (775) 359-7424
E-MAIL: HAWS@HAWS.CO.COM
WEBSITE: WWW.HAWS.CO.COM

ECN NO. REVISED PER BY: MODEL(S)
DRAWN: EON: 5993 FV H1011.8/H1011.8HPS
RTM: DATE: 07/97 CHKD: KW
APPROVED: FV DATE: 09/02/23 SCALE: 1/18 DRAWING TYPE: INSTALLATION SIZE: A SHEET 1 OF 1

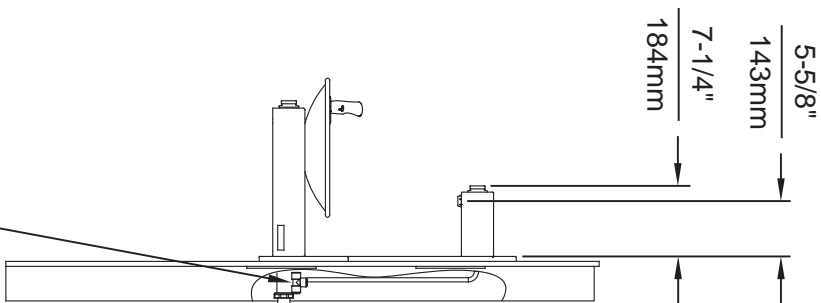
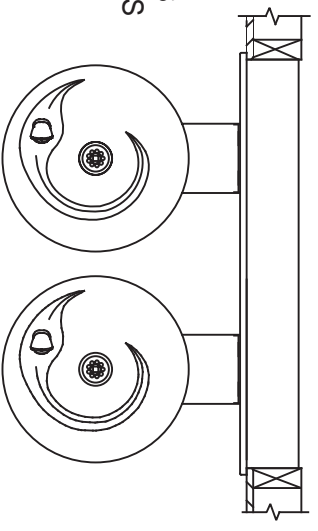
PART NUMBER: 0002080249.D
REVISION: 24



INSTALLATION ABOVE HAWS 1011, 1011HPS, 1011HPSMS, 1011MS, H1011.8, H1011.8HO, H1011.8HPS

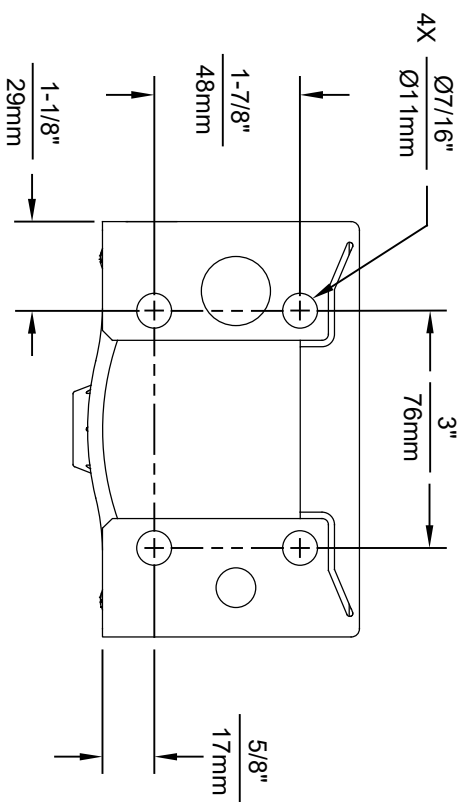
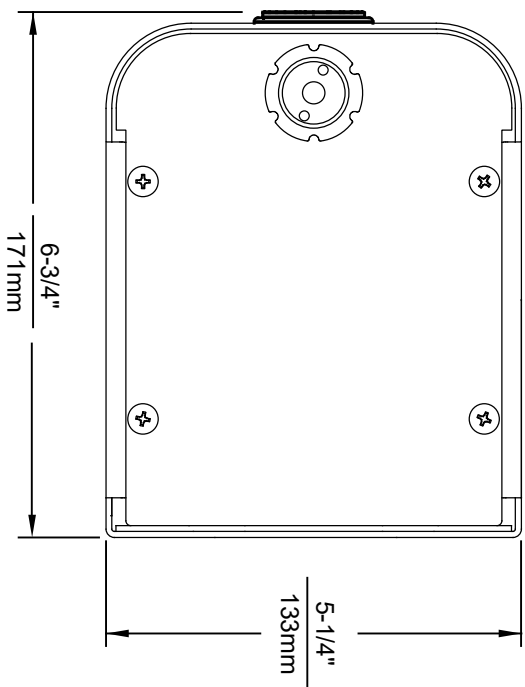
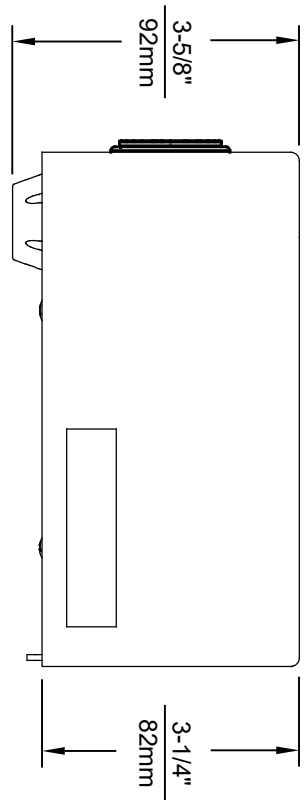
* IF YOUR FOUNTAIN IS THIS STYLE USE THESE DIMENSIONS

1. SEE SEPARATE INSTALLATION DRAWINGS FOR MOUNTING PLATES AND BACKPANELS
2. WHEN INSTALLING THIS UNIT, LOCAL, STATE OR FEDERAL CODES SHOULD BE ADHERED TO FOR INSTALLATION LOCATIONS, WASTE & SUPPLY REQUIREMENTS OTHER THAN SHOWN.

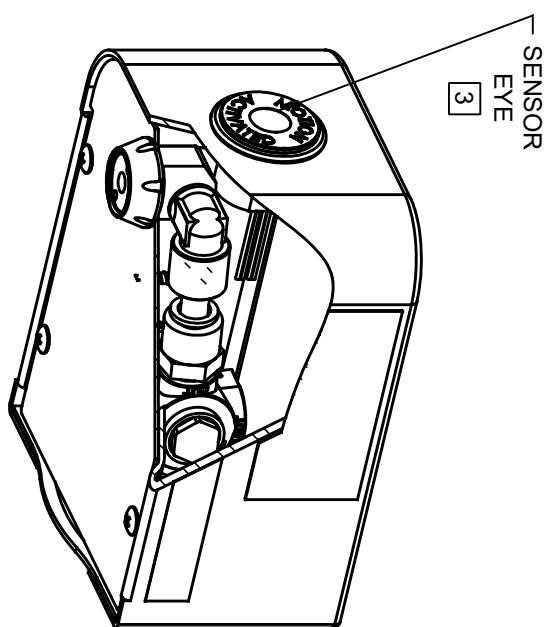


3/8" O.D. SUPPLY TUBING AND 3/8" O.D. PUSH-IN TEE SUPPLIED. (CONNECT TO FOUNTAIN SUPPLY LINE)

		Haws	
EQU NO.	REVISED PER BY:	MODEL(S)	
5301	F.V.	1920/1920HPS	
DRAWN	DATE:	DATE:	
DATE:	DATE:	DATE:	
APPROVED:	DATE:	SCALE:	DRAWING TYPE:
F.V.	05/14/20	N/A	INSTALLATION
			SIZE: A
			SHEET 2 OF 6
			6
1455 KLEPPE LANE		PART NUMBER	
SPARKS, NEVADA 89431		0510000490.D	
(775) 359-4712 FAX (775) 359-7424		REVISION	
E-MAIL: HAWS@HAWS.CO.COM		6	
WEBSITE: WWW.HAWS.CO.COM			



1920HO SERIES MOUNTING HOLE LOCATIONS
(3/8" - 16 UNC MOUNTING HARDWARE NOT SUPPLIED)



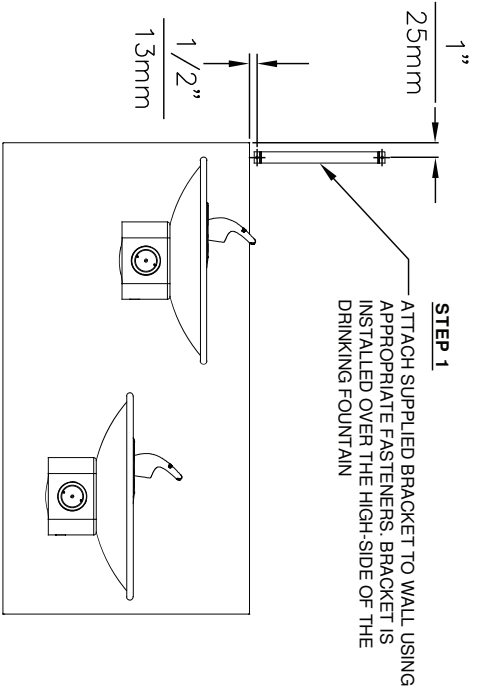
NOTES:

1. SEE SEPARATE INSTALLATION DRAWINGS FOR MOUNTING PLATES AND BACKPANELS
2. WHEN INSTALLING THIS UNIT, LOCAL, STATE OR FEDERAL CODES SHOULD BE ADHERED TO FOR INSTALLATION LOCATIONS, WASTE AND SUPPLY REQUIREMENTS OTHER THAN SHOWN.
3. REFER TO 1RKHO.H OPERATION & MAINTENANCE INSTRUCTIONS FOR SENSOR SETUP.

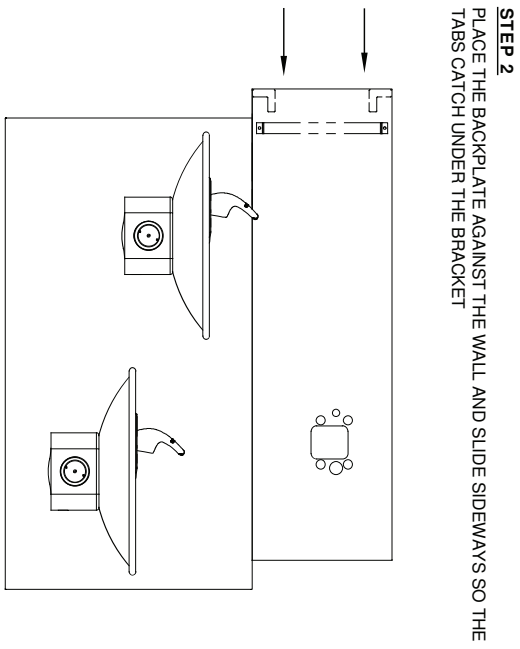


1455 KLEPPE LANE
SPARKS, NEVADA 89431
(775) 359-4712 FAX (775) 359-7424
E-MAIL: HAWS@HAWSCCO.COM
WEBSITE: WWW.HAWSCCO.COM

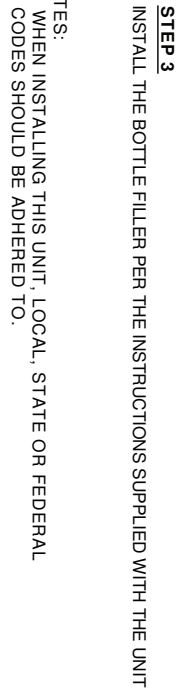
EQ# NO. REVISION	PER BY	DATE	SCALE	INSTALLATION	SIZE	SHEET
5274	EQ# 5681	05/19/21	N/A		A	1 OF 6
DRW#	DATE	DATE	SCALE	INSTALLATION	SIZE	SHEET
B.M.	05/19/21	05/19/21	N/A		A	1 OF 6
MODEL(S)	1920HO/1920HPSHO/1920WHO					
PART NUMBER	0510001063.D					
REVISION	4					



STEP 1
ATTACH SUPPLIED BRACKET TO WALL USING APPROPRIATE FASTENERS. BRACKET IS INSTALLED OVER THE HIGH-SIDE OF THE DRINKING FOUNTAIN



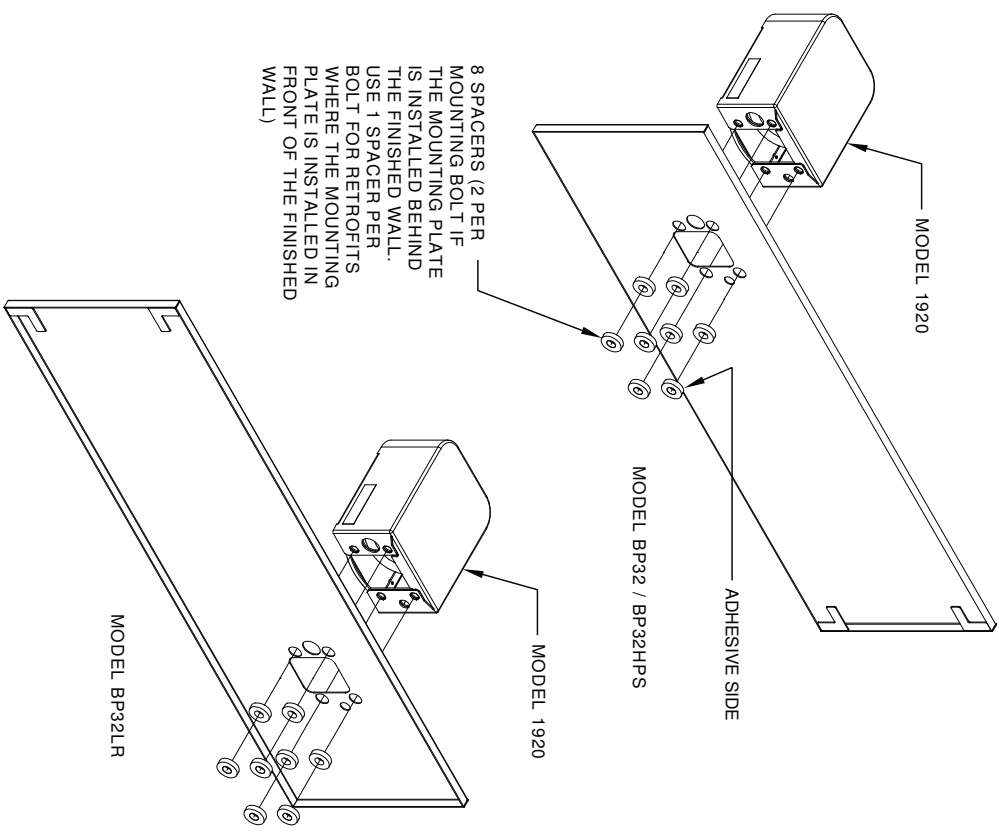
STEP 2
PLACE THE BACKPLATE AGAINST THE WALL AND SLIDE SIDEWAYS SO THE TABS CATCH UNDER THE BRACKET



STEP 3
INSTALL THE BOTTLE FILLER PER THE INSTRUCTIONS SUPPLIED WITH THE UNIT

NOTES:
1. WHEN INSTALLING THIS UNIT, LOCAL, STATE OR FEDERAL CODES SHOULD BE ADHERED TO.

©2017 Haws Corporation - All Rights Reserved. HAWS® and other trademarks used in these materials are the exclusive property of Haws Corporation.



8 SPACERS (2 PER MOUNTING BOLT IF THE MOUNTING PLATE IS INSTALLED BEHIND THE FINISHED WALL. USE 1 SPACER PER BOLT FOR RETROFITS WHERE THE MOUNTING PLATE IS INSTALLED IN FRONT OF THE FINISHED WALL)

INSTALLATION OVER DOUBLE FOUNTAIN
SHOWN FROM REAR

		Haws	
ECONO REVISIONS 5081 DRAWN: MJ MJ APPROVED: TV	REVISIONS 5172 DATE: 10/20/17 DATE: 08/21/17	MODEL(S) DRAWING: BACK PANEL SPACER INST., BF	1455 KLEPPE LANE SPARKS, NEVADA 89431 (775) 359-4712 FAX (775) 359-7424 E-MAIL: HAWS@HAWSCO.COM WEBSITE: WWW.HAWSCO.COM
SCALE: 1:1		DRAWING TYPE: INSTALLATION	PART NUMBER: 0510000493.D
REVISION: 2		SHEET: 2	OF: 2

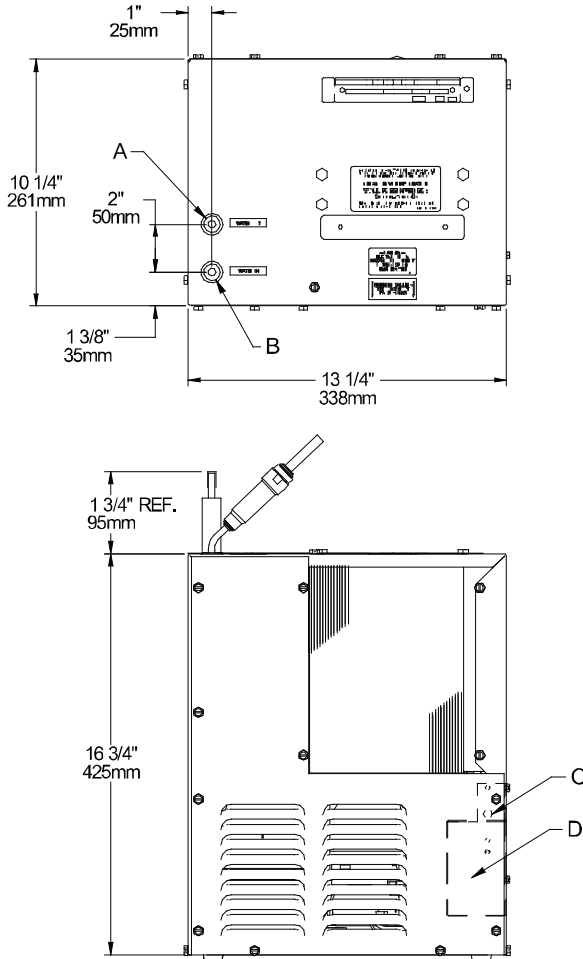
Installation Instructions

HCR8 Refrigeration Packages

NOTICE: This water cooler must be connected to the water supply using a dielectric coupling.

IMPORTANT! INSTALLER PLEASE NOTE.

The grounding of electrical equipment such as telephone, computers, etc., to water lines is a common procedure. This grounding may be in the building, or may occur away from the building. This grounding can cause electrical feedback into a water chiller, creating an electrolysis which causes a metallic taste or an increase in the metal content of the water. This condition is avoidable by using the proper materials indicated below.



LEGEND
 A = 1/4" O.D. TUBE WATER OUTLET C = TEMPERATURE ADJUSTMENT
 B = 1/4" O.D. TUBE WATER INLET D = ELECTRICAL

INSTALLATION

1. When mounting unit in an open area, to insure proper ventilation, maintain a 4" (102mm) clearance from cabinet louvers on each side of cooler. When mounting unit in a cavity or behind a wall maintain minimum space of 4" (102mm) on each side, 4" (102mm) on the top and a depth of 12" (305mm).
2. Water inlet is 1/4" (6 mm) O.D. tube. Contractor to supply the connections as required.
3. Connecting lines to be of unplated copper, thoroughly flushed to remove all foreign matter before being connected to cooler. If flushing does not remove all particles, a water strainer should be installed in supply line. This cooler is manufactured in such a manner that it does not in any way cause taste, odor, color or sediment problems.
4. Connect cooler to building supply line with a shut-off valve and install the in-line strainer between the valve and cooler.
5. Electrical: Make sure power supply is identical in voltage, cycle, and phase to that specified on cooler serial plate. Never wire compressor directly to the power supply.
6. This chiller has been designed for use with potable water **ONLY**.

START-UP

1. Open supply line valve.
2. Purge air from all water lines by operating bubbler valve of fountain to which cooler is connected. Steady stream assures all air is removed.
3. Rotate fan to insure proper clearance and free fan action.
4. Connect to electrical power.

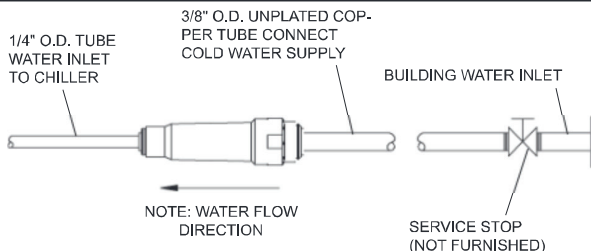
TROUBLE SHOOTING & MAINTENANCE

Temperature Control: Factory set at 50°F (± 5°) under normal conditions. For colder water, adjust screw on item no. 9 in clockwise direction.

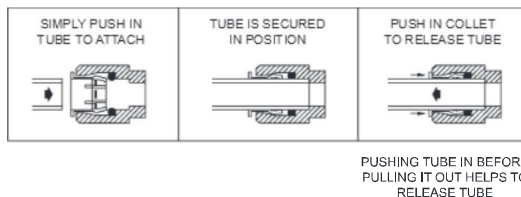
Ventilation: Cabinet louvers and condenser fins should be periodically cleaned with brush, air hose or vacuum cleaner. Excess dirt or poor ventilation can cause no cold water and compressor cycling on the compressor overload protector.

Lubrication: Motors are lifetime lubricated.

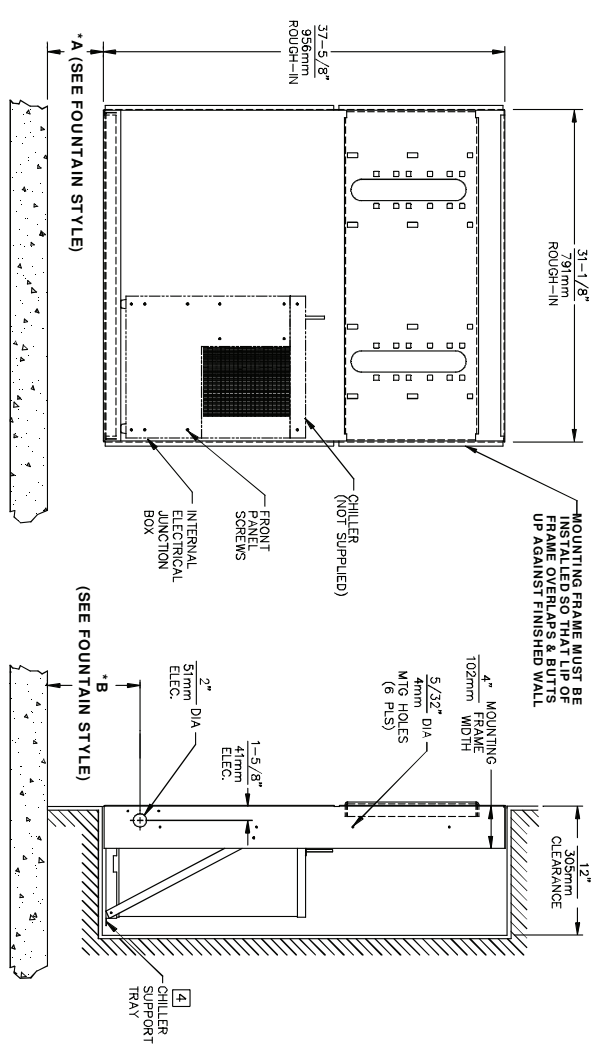
Actuation of Quick Connect Water Fittings: Cooler is provided with lead-free connectors which utilize an o-ring seal. To remove tubing from the fittings, relieve water pressure, push in on gray collar while pulling on the tubing. To insert tubing, push tube straight into fitting until it reaches a positive stop, approximately 3/4".



OPERATION OF QUICK CONNECT FITTINGS



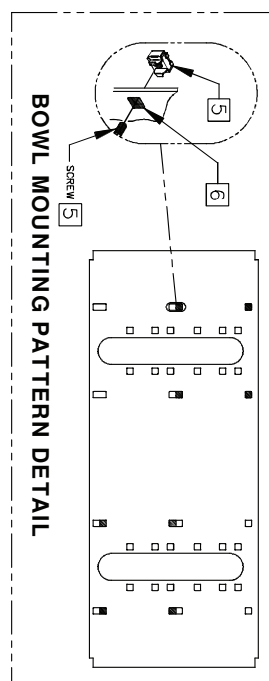
THIS DOCUMENT IS TRUE AND CORRECT AT TIME OF PUBLICATION. CONTINUED PRODUCT IMPROVEMENTS MAKE SPECIFICATIONS AND MEASUREMENTS SUBJECT TO CHANGE WITHOUT NOTICE.



- CHILLER ELECTRICAL INSTALLATION**
1. ENSURE ELECTRICAL POWER IS OFF AND POWER MATCHES VOLTAGE, PHASE AND CYCLE LISTED ON CHILLER LABEL.
 2. REMOVE FRONT PANEL TO GAIN ACCESS TO INTERNAL JUNCTION BOX.
 3. HARDWIRE CHILLER THROUGH ITS SIDE, WIRE IN ACCORDANCE WITH LOCAL, STATE OR FEDERAL CODES.
 4. REPLACE FRONT PANEL. DO NOT APPLY POWER UNTIL WATER SUPPLY IS CONNECTED AND ON.

MOUNTING FRAME INSTALLATION

1. THIS FRAME IS USED WITH SEVERAL DIFFERENT MODELS. SEE INSTALLATION INSTRUCTIONS RECEIVED WITH THE FOUNTAIN FOR PROPER LOCATIONS OF 5/16-18 PANEL NUT RETAINERS. FOR ROUGH-IN USE THE APPROPRIATE DIMENSIONS SHOWN ABOVE. WASTE AND SUPPLY HEIGHTS ARE ALSO DETAILED ON THE FOUNTAIN INSTALLATION INSTRUCTIONS.
2. HOLD ROUGH-IN DIMENSIONS ±1/8" (3.2mm).
3. WHEN INSTALLING THIS UNIT LOCAL, STATE OR FEDERAL CODES SHOULD BE ADHERED TO. FOR DIFFERENT INSTALLATION HEIGHTS, OTHER THAN SHOWN, DIMENSIONS MARKED (*) MUST BE ADJUSTED ACCORDINGLY.
4. ALIGN HOLES IN CHILLER SUPPORT TRAY WITH HOLES IN FRAME AND FASTEN IN PLACE WITH #10 SHEET-METAL SCREWS SUPPLIED WITH UNIT.
5. FOUNTAIN REMOVAL: FIRST REMOVE SCREWS AND THEN SQUEEZE CLIPS ON NUT RETAINER TO POP OUT. INSTALL IS REVERSE OF REMOVAL.
6. HOLE COMBINATION SHOWN ABOVE IS FOR USE WITH LOW FOUNTAIN ON THE RIGHT AND HIGH FOUNTAIN ON THE LEFT. USE OPPOSITE HOLES FOR HIGH ON RIGHT AND LOW ON LEFT.
7. IMPORTANT: A L.H. LOW (OPTIONAL) CONFIGURATION WILL REQUIRE A DIFFERENT BACK PANEL AND THE WASTE AND SUPPLY DIMENSIONS SHOWN (*) MUST BE REVERSED.

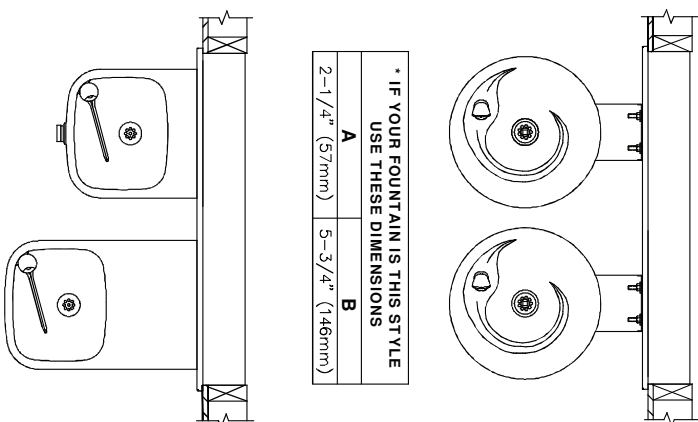


* IF YOUR FOUNTAIN IS THIS STYLE USE THESE DIMENSIONS

A	2-1/4" (57mm)
B	5-3/4" (146mm)

* IF YOUR FOUNTAIN IS THIS STYLE USE THESE DIMENSIONS

A	3-15/16" (100mm)
B	7-7/16" (189mm)



Haws Corporation

INFO FAX : 1-888-FAX-HAWS (1-888-329-4297)
 1455 Kieppe Ln, Sparks NV, 89431
 Phone: 775-339-0112 Fax: 775-339-7424
 Haws Mtg Bldg 299 S. Boulder Blvd. Reno NV 89502
 Haws Mtg Bldg 299 S. Boulder Blvd. Reno NV 89502
 e-mail: haws@hawsco.com website: www.hawsco.com

REG. NO. 1 REISSUED PER PER. DATE: 05/97
 REV. 06/97
 MODEL(S): MTGFR-LG MOUNTING FRAME DUAL
 INFO FAX DOC # 2654
 SCALE: 1:16
 DRAWING TYPE: INSTALLATION/REPAIR

PART NUMBER: 0002080318
 DRAWING NUMBER: 000665A00
 SHEET: 1 OF 1

©2006 Haws Corporation - All Rights Reserved HAWS® and other trademarks used in these materials are the exclusive property of Haws Corporation.

Doc. No. 06665A00