



model 1311-1920WHO

ADA Vandal-Resistant White Enameled Iron Fountain and Motion-Activated Bottle Filler

FEATURES & BENEFITS

CONSTRUCTION

Heavy-duty cast-iron ADA accessible bowl with a glossy white enamel finish is designed for the toughest of applications, and at the same time is gentle to all users with its soft rounded corners. Unit also ships with vandal-resistant bottom plates to provide added peace of mind.

BOTTLE FILLER

Powder-coated white 14-gauge Type 304 stainless steel bottle filler housing with touchless operation and 1 gpm (3.78 L) laminar flow with 30-second obstruction time-out.

BUBBLER HEAD

Polished chrome-plated brass bubbler head with integral laminar flow prevents splashing while providing a superior flow pattern. The integral 11/16" dia. basin shank and stainless anti-rotation roll pin for vandal resistance strength. Shielded, angled stream opening provides a steady, sanitary source of drinking water at .45 gpm.

FOUNTAIN VALVES

Bottle filler incorporates a touchless sensor operated stainless steel solenoid valve controlled by a transformer, and a push-button activated valve which offers the only all stainless-steel valve body that is machined out of solid bar stock and is fully serviceable through the front of the push button assembly offering access to the water control cartridge and integral water supply strainer on the fountain.

VANDAL RESISTANT

The bubbler head, push button, drain strainer and bottom plates are locked in place, discouraging unwanted vandal tampering, and 30-second obstruction time-out to reduce tampering of sensor.

OPTIONS

- Water Filter: Model 6480 filter kit with 3000 gallon carbon block filter, filter head, and mounting bracket.
- Back Panel: Model BP15WC, one-piece panel for fountain/bottle filler combination when child-height ADA requirements are needed.
- Mounting Plate: Model 6700, in-wall mounting plate for model 1920W and/or 1311.
- Mounting Plate: Model 6700R, on-wall mounting plate for model 1920W.
- Support Frame: Model 6800 In-wall floor mounted fixture support legs, welded steel 4-bolt floor flanges, and supplied with 'U' bolts and hardware.

For more information, visit www.hawsc.com or call (888) 640-4297.



SPECIFICATIONS

1311 / BP8W / 1920WHO / BP15W

Order these items to make up Model 1311-1920WHO white enameled-iron fountain and white painted stainless steel bottle filler.

FOR INDOOR USE ONLY

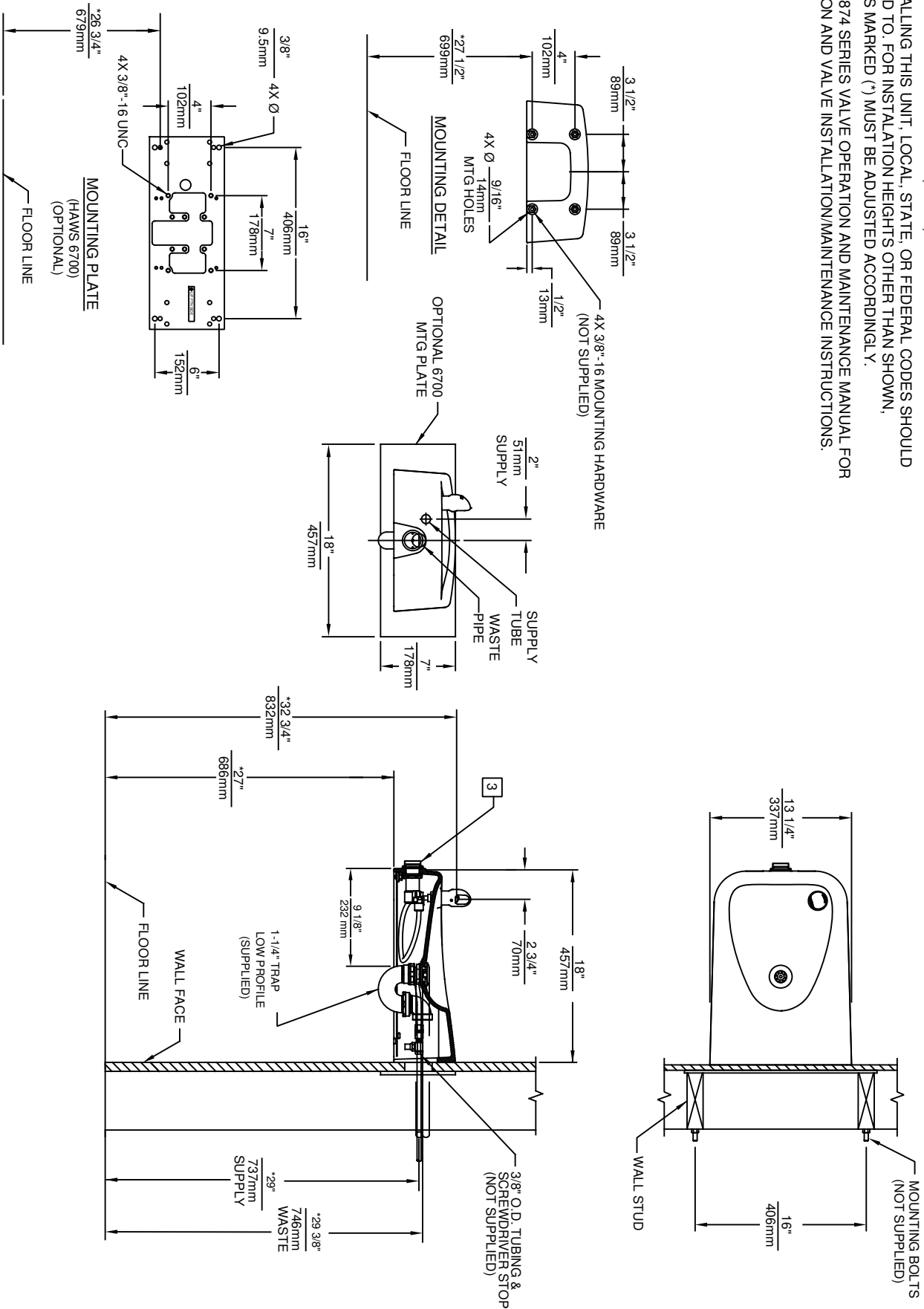
APPLICATIONS

Model 1311-1920WHO wall mounted vandal-resistant ADA drinking fountain and motion activated bottle filler shall include a white enameled-iron basin with 14 gauge Type 304 powder-coated Stainless Steel bottle filler bracket, 100% lead-free waterways, touchless sensor operated solenoid valve with 30-second obstruction time-out on the bottle filler, and a vandal-resistant push-button operated stainless-steel valve with front-accessible cartridge and flow adjustment on the fountain, polished chrome-plated brass vandal-resistant bubbler head with integral anti-squirt flow, 1 gpm (3.78 L) laminar flow bottle filler, chrome plated brass vandal-resistant waste strainer, vandal-resistant bottom plates, and a 1-1/4" NPT trap. Manufactured to be lead-free by all known definitions including NSF/ ANSI/CAN 61-Section 9, NSF/ANSI/ CAN 372, California Proposition 65, and the Federal Safe Drinking Water Act. Product is compliant to California Health and Safety Code 116875 (AB 1953-2006), and 116876 (AB 100) "NSF/ANSI/CAN 61: Q ≤ 1".

The bottle filler requires a mounting plate; either the Haws model 6700 in-wall or the 6700R on-wall support plate.

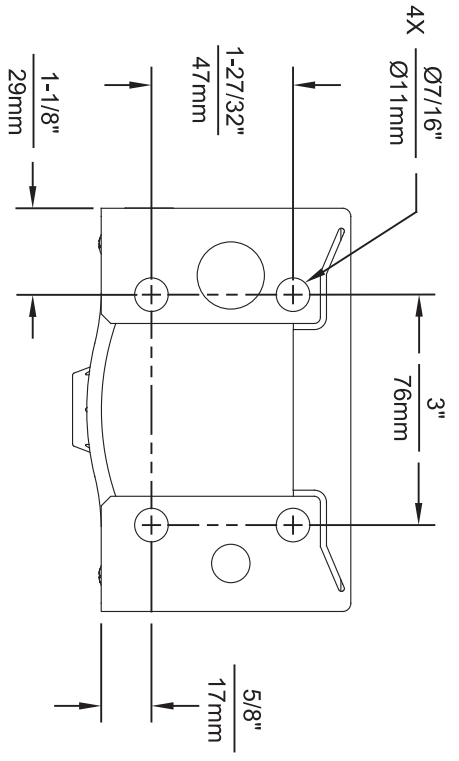
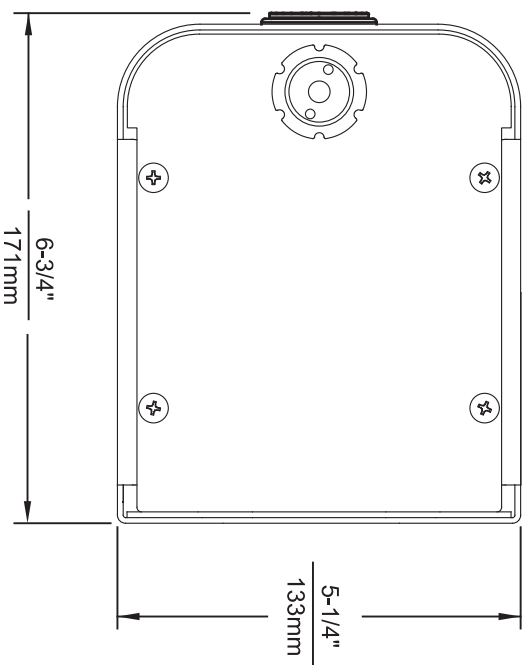
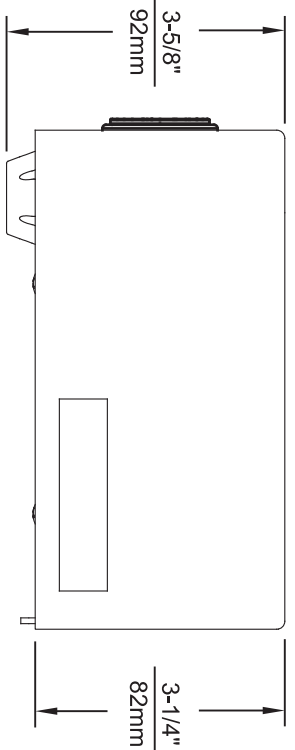


1. HOLD ROUGH-IN DIMENSIONS $\pm 1/4"$ (6.4MM).
2. WHEN INSTALLING THIS UNIT, LOCAL, STATE, OR FEDERAL CODES SHOULD BE ADHERED TO. FOR INSTALLATION HEIGHTS OTHER THAN SHOWN, DIMENSIONS MARKED (*) MUST BE ADJUSTED ACCORDINGLY.
3. REFER TO 5874 SERIES VALVE OPERATION AND MAINTENANCE MANUAL FOR PUSH BUTTON AND VALVE INSTALLATION/MAINTENANCE INSTRUCTIONS.

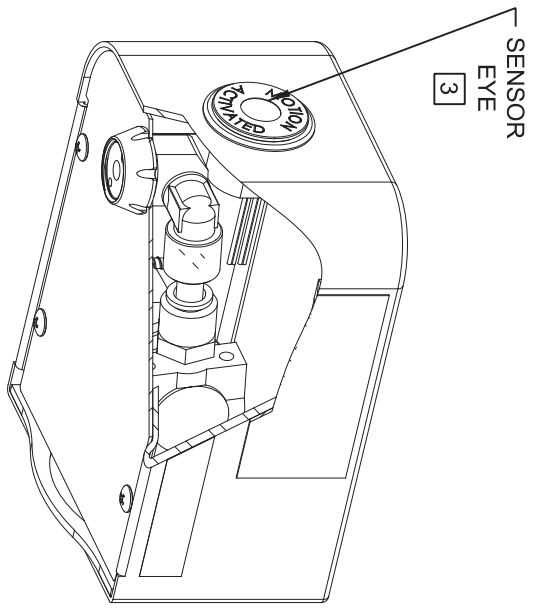


1459 KLEPPE LANE
SPARKS, NEVADA 89431
(775) 359-4712 FAX (775) 359-7424
E-MAIL: HAWS@HAWS.CO.COM
WEBSITE: WWW.HAWS.CO.COM

ECN NO. REVISED PER BY:	MODEL(S)	PART NUMBER
5010		0510000046.D
DATE:	CHKD:	REVISION:
08/25/15	GC	4
APPROVED:	SCALE:	DRAWING TYPE:
FV	1:14	INSTALLATION
DATE:	11/23/17	SHEET:
		1 OF 1



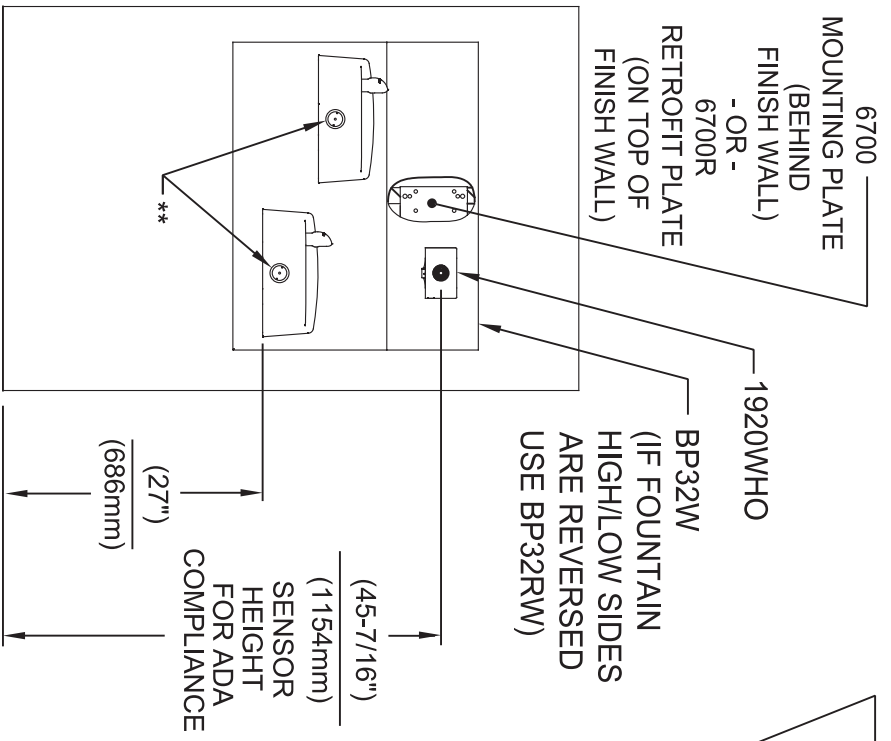
1920H SERIES MOUNTING HOLE LOCATIONS
(3/8\"-16 UNC MOUNTING HARDWARE NOT SUPPLIED)



NOTES:

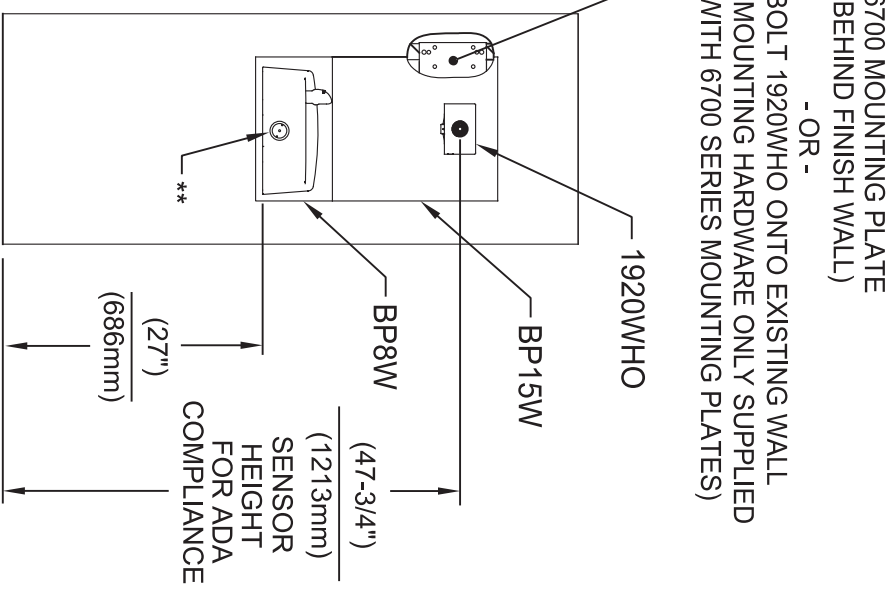
1. SEE SHEETS 2 THRU 7 FOR BOTTLE FILLER ADULT ADA HEIGHT APPLICATIONS AND SHEET 8 FOR CHILD ADA HEIGHT APPLICATIONS.
2. WHEN INSTALLING THIS UNIT, LOCAL, STATE OR FEDERAL CODES SHOULD BE ADHERED TO FOR INSTALLATION LOCATIONS, WASTE AND SUPPLY REQUIREMENTS OTHER THAN SHOWN.
- 3 REFER TO 1RKHO.H OPERATION & MAINTENANCE INSTRUCTIONS FOR SENSOR SETUP.

		1455 KLEPPLE LANE SPARKS, NEVADA 89431 (775) 359-4712 FAX (775) 359-4724 E-MAIL: HAWS@HAWS.CO.COM WEBSITE: WWW.HAWS.CO.COM	
EGN NO. REVISED PER BY: 5574 ECN: 5972 FV	MODEL(S) 1920HO/1920HPSHO/1920WHO	SCALE: N/A	DRAWING TYPE:
DRAWN: FV DATE: 08/18/20 CHK'D: JC DATE: 04/15/24	PART NUMBER 0510001063.D	INSTALLATION:	REVISION: 7



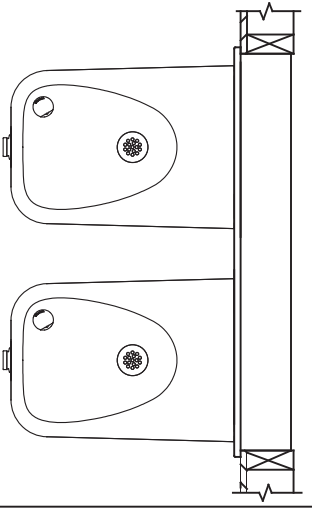
INSTALLATION ABOVE HAWS 1501

INSTALLATION ABOVE HAWS 1311



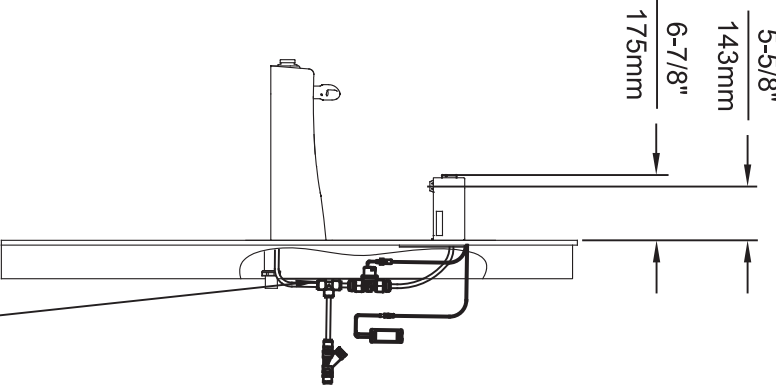
* IF YOUR FOUNTAIN IS THIS STYLE USE THESE DIMENSIONS

1. SEE SEPARATE INSTALLATION DRAWINGS FOR MOUNTING PLATES AND BACK PANELS (SHOWN FOR REFERENCE - NOT SUPPLIED).
2. WHEN INSTALLING THIS UNIT, LOCAL, STATE OR FEDERAL CODES SHOULD BE ADHERED TO FOR INSTALLATION LOCATIONS, WASTE & SUPPLY REQUIREMENTS OTHER THAN SHOWN.



** EXISTING PUSH BUTTON ASSEMBLY SHOWN, CAN BE CONVERTED TO HANDS OFF STYLE, USING RETRO-FIT KIT MODEL 1RKHO.H OR 2RKHO.H DEPENDING ON CUSTOMER REQUIREMENTS.

3/8" O.D. SUPPLY TUBING AND 3/8" O.D. PUSH-IN TEE SUPPLIED. (CONNECT TO FOUNTAIN SUPPLY LINE)



Haws
Since 1906

1455 KLEPPLE LANE
SPARKS, NEVADA 89431
(775) 359-4712 FAX (775) 359-4724
E-MAIL: HAWS@HAWSCO.COM
WEBSITE: WWW.HAWSCO.COM

EGN NO. REVISED PER BY:	MODEL(S)	INSTALLATION
5574 ECN: 5972	1920HO/1920HPSHO/1920WHO	
DRAWN: FV	SCALE: N/A	SIZE: A1
DATE: 08/18/20	DRAWING TYPE:	SHEET 5 OF 8
APPROVED: FV		REVISION: 7

PART NUMBER: 0510001063.D