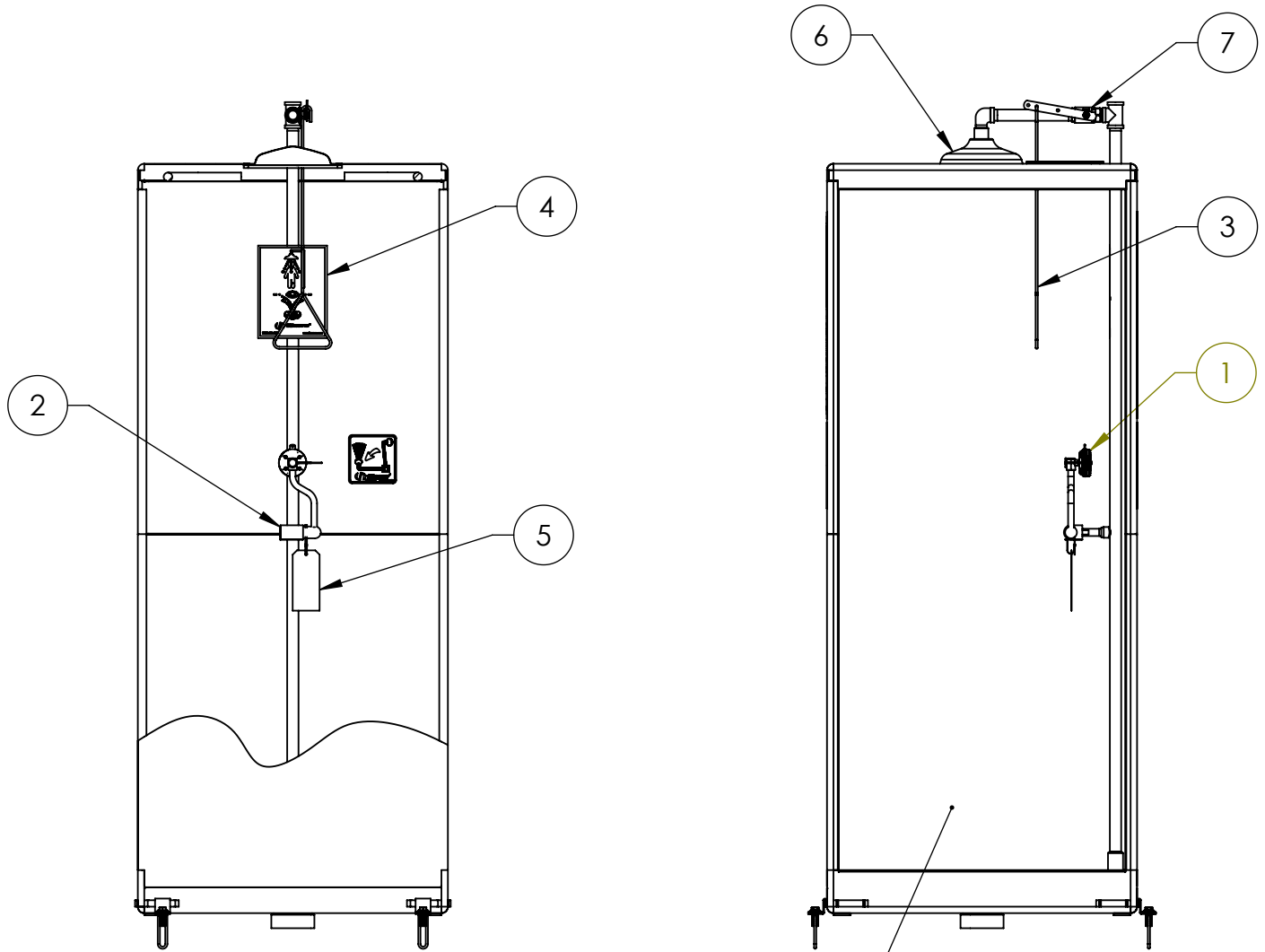



THIS DOCUMENT IS TRUE AND CORRECT AT TIME OF PUBLICATION. CONTINUED PRODUCT IMPROVEMENTS MAKE SPECIFICATIONS AND MEASUREMENTS SUBJECT TO CHANGE WITHOUT NOTICE.

ITEM	DESCRIPTION	PART NO.
1	EYE/FACE WASH ASSEMBLY	SP65SS
2	VALVE REPAIR KIT	VRK 7650
3	PULL ROD	SP202
4	SHOWER/EYEWASH SIGN	SP178
5	TEST TAG	SP170
6	SHOWER HEAD	SP829SS
7	SHOWER VALVE ASSEMBLY	0006581890
8	SHOWER CURTAIN	0510002178



CURTAIN, ITEM 8  
(NOT SHOWN FOR CLARITY)

 <b>Haws</b> Since 1906			1455 KLEPPE LANE SPARKS, NEVADA 89431 (775) 359-4712 FAX (775) 359-7424 E-MAIL: HAWS@HAWSO.COM WEBSITE: WWW.HAWSO.COM		
			ECN: 5940	REV. ECN: 5940	BY: IR
DRAWN: IR	DATE: 07/11/23	CHKD: SLS	8606SS DUAL ENTRY SST BOOTH	0580002176	
APPROVED: IR	DATE: 07/13/23			REVISION	
				1	
SCALE: 1:50			DRAWING TYPE: PARTS BREAKDOWN	SIZE: A	SHEET 1 OF 1

WHEN ORDERING PARTS, PLEASE  
SPECIFY PART NUMBER