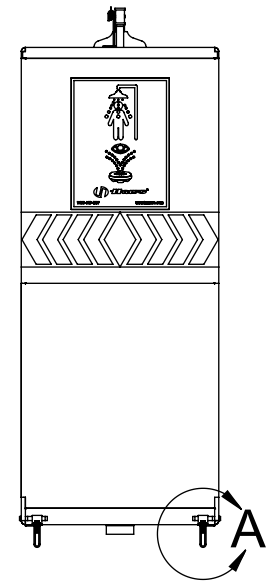
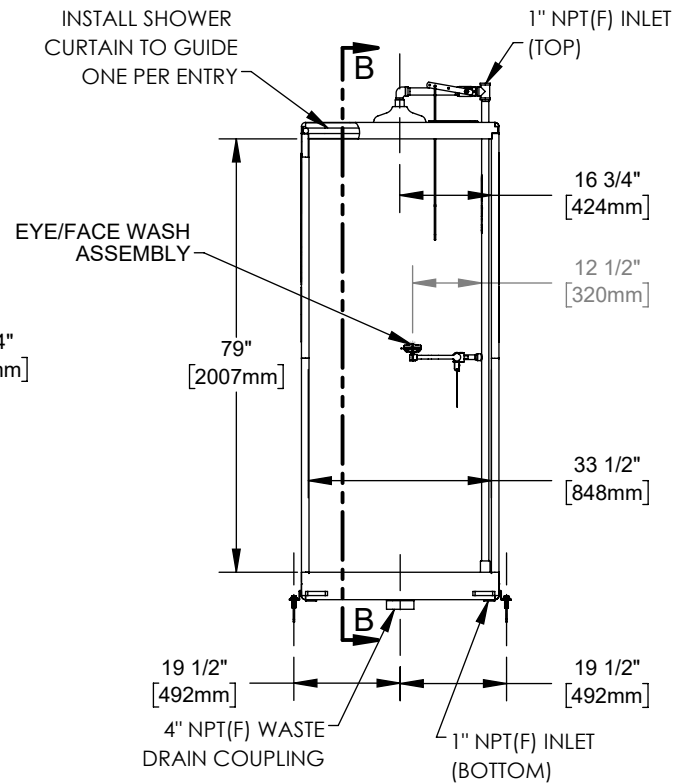
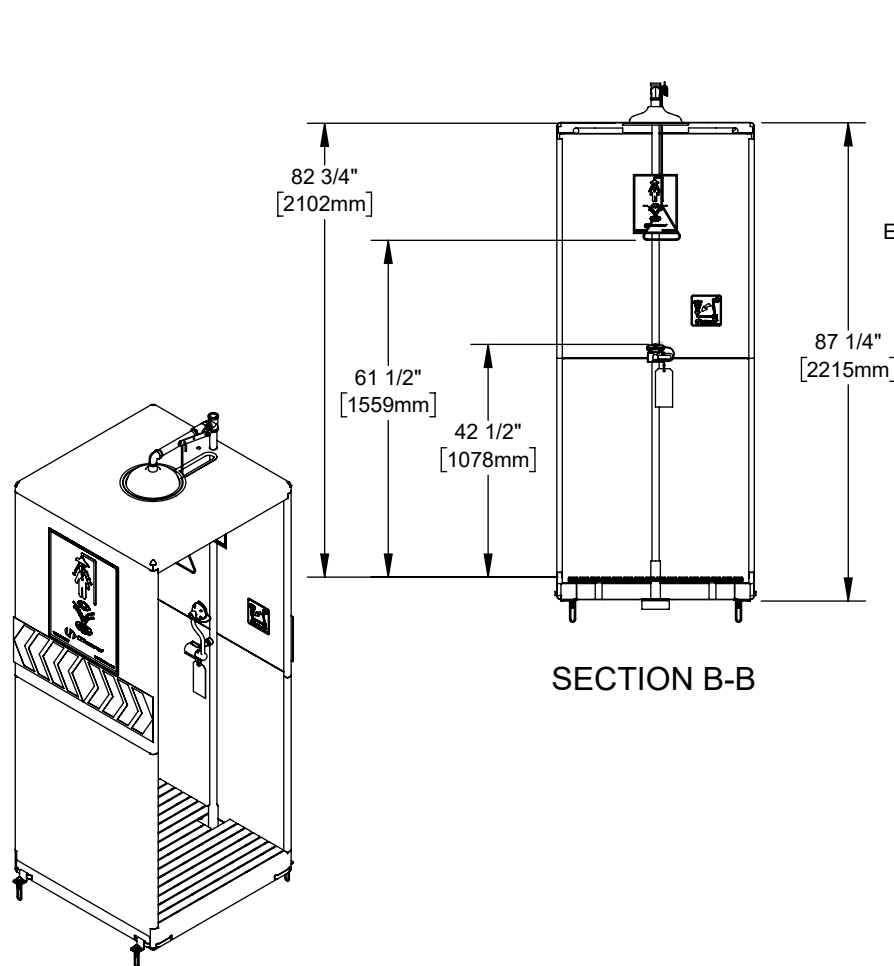
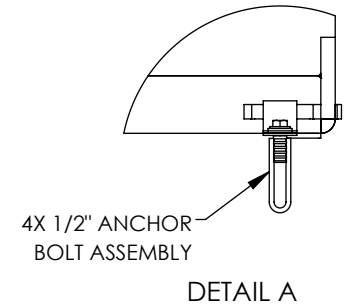
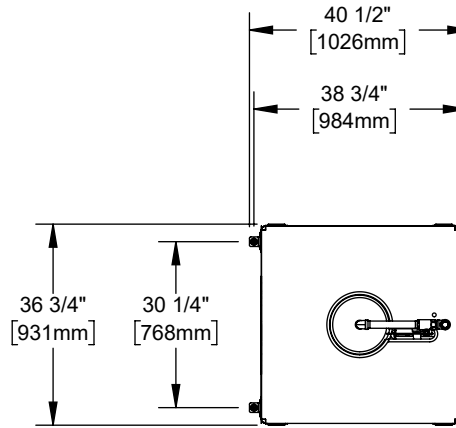


NOTES:

1. WHEN INSTALLING THIS UNIT, LOCAL, STATE, OR FEDERAL CODES SHOULD BE ADHERED TO FOR INSTALLATIONS (LOCATIONS), WASTE AND SUPPLY REQUIREMENTS OTHER THAN SHOWN.
2. KEEP BOTH ENTRY WAYS AND INSIDE OF BOOTH CLEAR OF OBSTRUCTIONS.
3. DIMENSION MAY VARY $\pm 1/2"$.



1455 KLEPPE LANE
SPARKS, NEVADA 89431
(775) 359-4712 FAX (775) 359-7424
E-MAIL: HAWS@HAWSO.COM
WEBSITE: WWW.HAWSO.COM

ECN: 5940	REV. ECN: 5940	BY: IR	MODEL(S)	PART NUMBER
DRAWN: IR	DATE: 07/11/23	CHKD: SLS	8606SS DUAL ENTRY SST BOOTH	0580002176.D
APPROVED: IR	DATE: 07/19/23			REVISION
			SCALE: 1:50	DRAWING TYPE: INSTALLATION
			SIZE: A	SHEET 1 OF 1