

INTENTIONALLY ENGINEERED FOR SAFETY AND COMPLIANCE

Quality Solutions by Haws®



HAND WASH SINK WITH AXION® EYE/FACE WASH

An isolated, turnkey station for hand, face and eyewash, the Hand Wash Sink with AXION Eye/Face Wash is a space-saving solution for safety and compliance where the eyes or face may be exposed to injurious or corrosive materials—and handwashing hygiene is of the utmost importance. The Hand Wash Sink consists of a wall-mounted, barrier-free, 14-gauge Type 304 stainless steel hand wash sink equipped with a motion-activated gooseneck handwashing faucet and integrated Haws AXION eye/face wash. Satisfies Joint Commission requirements in rooms where both a clean handwash sink and an eyewash are required.

Model 7660: 24" wide

Model 7661: 30" wide

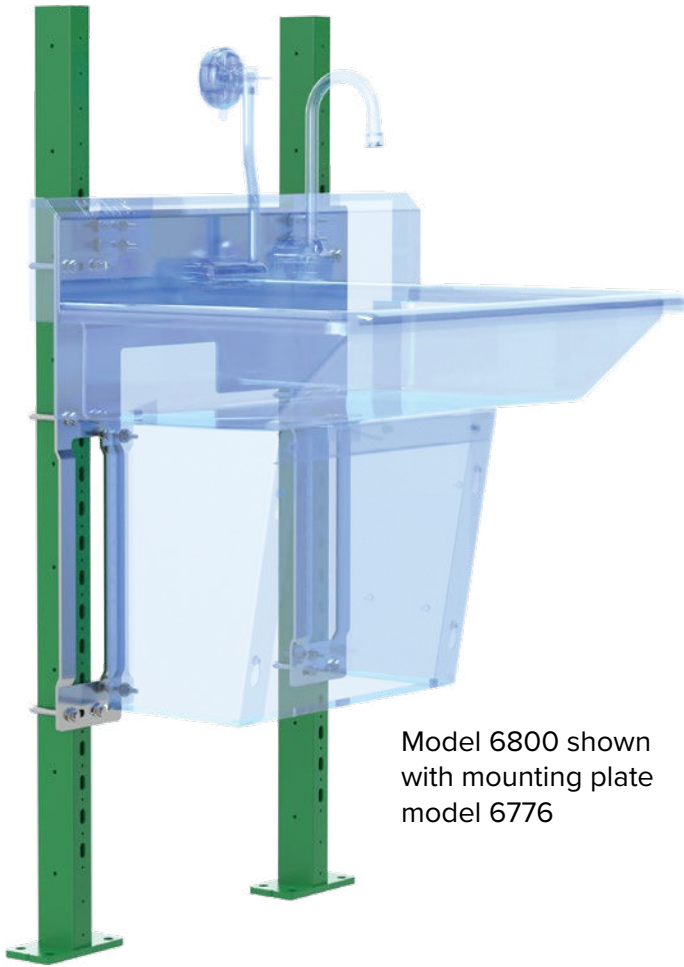
KEY FEATURES:

- Space-saving
- Easy install & maintenance
- AXION eye/face wash
- Total water containment
- Tempering valve included
- Simplified weekly ANSI testing
- Meets Joint Commission standards



Model 7661

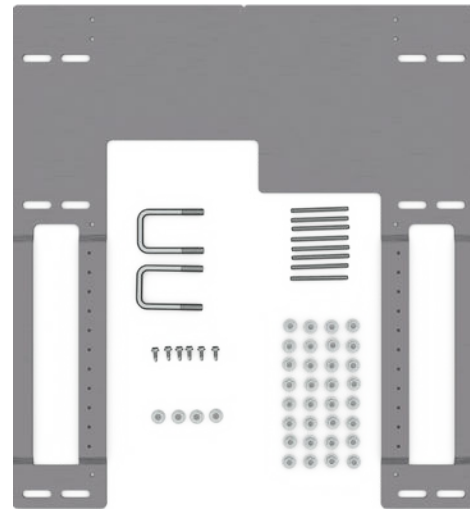
OPTIONAL ACCESSORIES



Model 6800 shown with mounting plate model 6776

Model 6800 **IN-WALL CARRIER**

In-wall floor mounted fixture carrier:
Two 2½" x 1½" x 1/8" thick structural steel uprights having 6" x 3" x 3/8" thick welded steel 4-bolt floor flanges, supplied with 'U' bolts and hardware. For use in conjunction with *Haws* in-wall mounting plates 6700, 6700.4, 6710, 6715, 6717, or 6776, for extra heavy duty fixture support.



Model 6776 **MOUNTING PLATE FOR HAND WASH SINK**

In-wall .188" thick steel mounting plate which provides maximum support and facilitates for the installation of the *Haws* wall-mounted hand wash sinks.



Model 0110001499 **NOZZLE, 2.2 GPM**

Model 0110001499 is an optional 2.2 gpm laminar flow nozzle for the faucet used on models 7660 and 7661.

Contact us about *Haws*® Services and our weekly and annual testing requirements.

