



Haws[®]
Since 1906

model 1011HPSMS-1920HPSHO

ADA Vandal-Resistant Polished Dual Fountain and Bottle Filler w/Mounting System

FEATURES & BENEFITS

CONSTRUCTION

Rugged ADA accessible 18 gauge Type 304 Stainless Steel swirl design bowls, 14 gauge Type 304 Stainless Steel brackets and bottle filler, and vandal-resistant bottom plates provides a long lasting unit with added peace of mind.

BOTTLE FILLER

Vandal-resistant, 14-gauge Type 304 stainless steel bottle filler housing with push button operation and 1 gpm (3.78 L) laminar flow.

VANDAL RESISTANT

The bubbler heads, push buttons, round bowls, drain strainers and bottom plates are locked in place, discouraging unwanted vandal tampering.

BUBBLER HEADS

Polished chrome-plated brass bubbler heads with integral laminar flow prevents splashing while providing a superior flow pattern. The integral 11/16" basin shank and stainless anti-rotational roll pin add vandal resistance strength. Shielded, angled stream opening provides a steady, sanitary source of drinking water at .45 gpm.

FOUNTAIN VALVES

The push-button activated valves have all stainless steel bodies, with chrome plated brass push button assemblies which allow for front access to water stream adjustment, water control cartridge, and water supply strainer replacement without having to go through the bottom plate. Operating pressure range of 30 to 90 psi (2.1 to 6.2 bar).

MOUNTING

Galvanized frame and 10 gauge surface plate provide the maximum mounting strength, and allows front access of P-trap and stop.

OPTIONS

- Support Frame: Model 6800 In-wall floor mounted fixture support legs, welded steel 4-bolt floor flanges, and supplied with 'U' bolts and hardware.
- Mounting Plate: Model 6700R, on-wall mounting plate for model 1920.
- Mounting Plate: Model 6700, in-wall mounting plate for model 1920.
- Fountain Skirt: Model SK3HPS, polished stainless steel cane touch skirt for installation on high unit in some applications that may need to comply with ADA protruding objects guidelines.

For more information, visit www.hawsc.com or call (888) 640-4297.



REQUIRED MODELS

1011HPSMS / MTGFR.DF2 / 1920HPS / BP32HPS

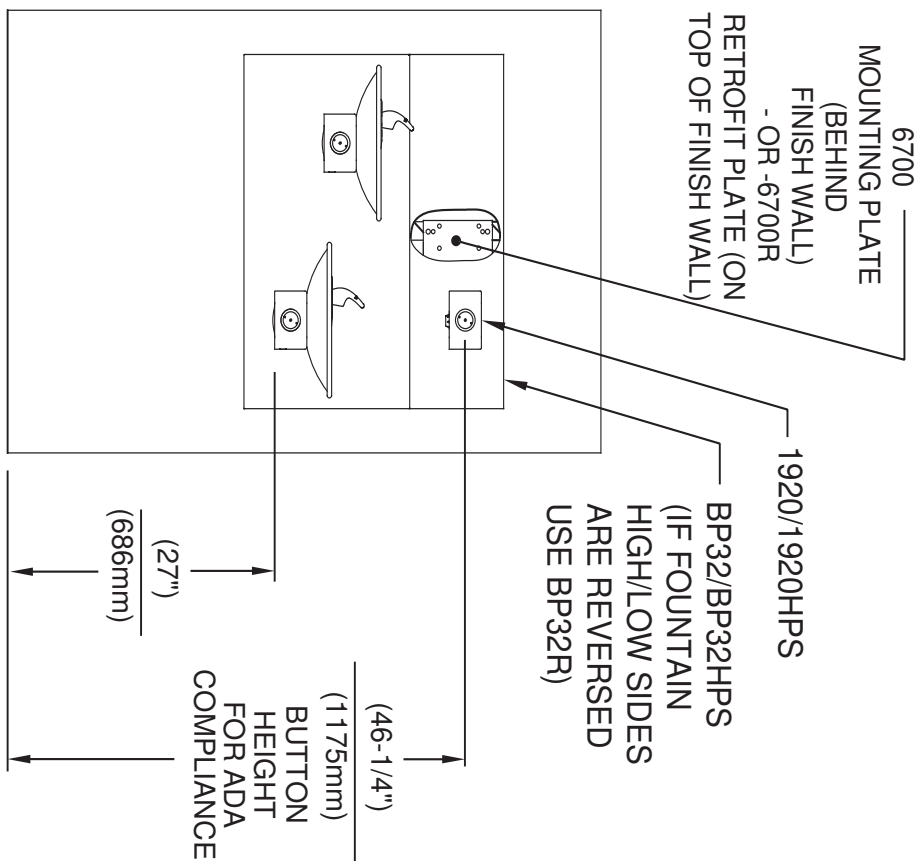
Order these items to make up the Model 1011HPSMS-1920HPS fountain with stainless steel back panel, bottle filler with stainless steel back plate, and fountain mounting frame shown above.

SPECIFICATIONS

Model 1011HPSMS-1920HPS ADA wall-mounted vandal-resistant drinking fountain and bottle filler shall include dual 18-gauge Type 304 polished Stainless Steel basins with integral swirl design, 14 gauge Type 304 polished Stainless Steel wall brackets and bottle filler bracket, in-wall mounting frame with lower access panel allowing for front access of P-trap and stop, 100% lead-free waterways, push-button operated stainless steel valves with front-accessible cartridge and flow adjustment, polished chrome-plated brass vandal resistant bubbler heads with integral laminar anti-squirt flow, 1gpm (3.78L) laminar flow bottle filler, chrome-plated brass vandal-resistant waste strainers, high and low fountain mounting levels, stainless steel satin finish back panels, and 1-1/4" O.D. (3.2 cm) waste pipes. Manufactured to be lead-free by all known definitions including NSF/ ANSI/CAN 61-Section 9, NSF/ANSI/CAN 372, California Proposition 65, and the Federal Safe Drinking Water Act. Product is compliant to California Health and Safety Code 116875 (AB 1953-2006), and 116876 (AB 100) "NSF/ANSI/CAN 61: Q ≤ 1".

The bottle filler requires a mounting plate; either the Haws model 6700 in-wall or the 6700R on-wall support plate.



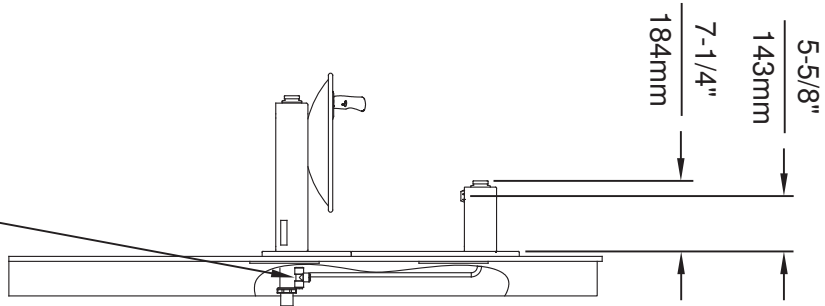
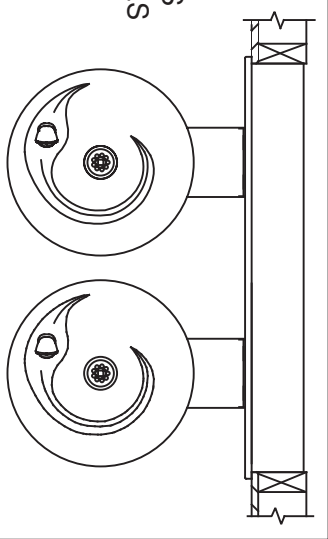


INSTALLATION ABOVE HAWS 1011, 1011HPS, 1011HPSMS, 1011MS, H1011.8, H1011.8HO, H1011.8HPS

* IF YOUR FOUNTAIN IS THIS STYLE USE THESE DIMENSIONS

1. SEE SEPARATE INSTALLATION DRAWINGS FOR MOUNTING PLATES AND BACKPANELS

2. WHEN INSTALLING THIS UNIT, LOCAL, STATE OR FEDERAL CODES SHOULD BE ADHERED TO FOR INSTALLATION LOCATIONS, WASTE & SUPPLY REQUIREMENTS OTHER THAN SHOWN.

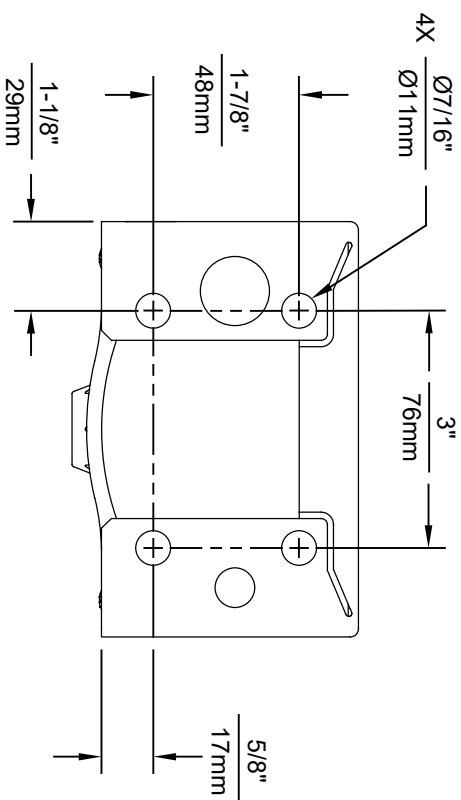
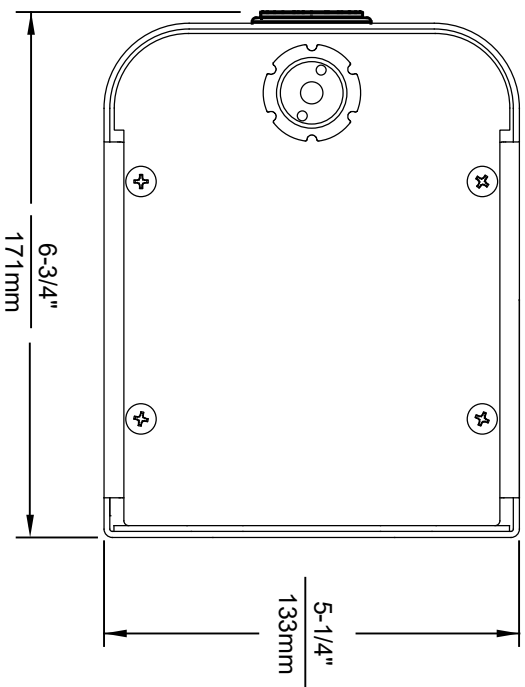
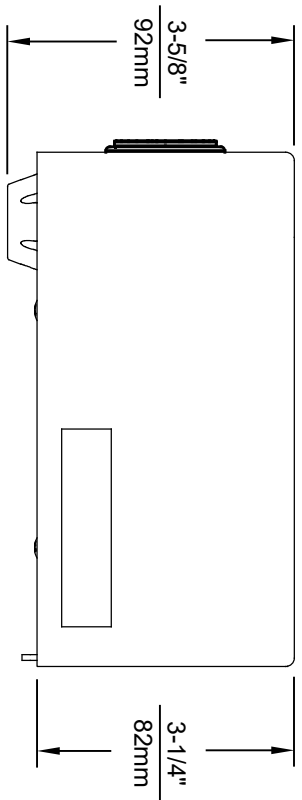


3/8" O.D. SUPPLY TUBING AND 3/8" O.D. PUSH-IN TEE SUPPLIED. (CONNECT TO FOUNTAIN SUPPLY LINE)

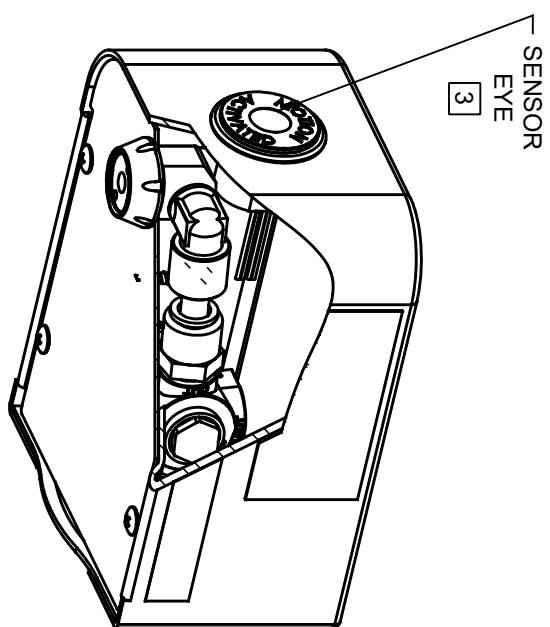
Haws

1455 KLEPPE LANE
 SPARKS, NEVADA 89431
 (775) 359-4712 FAX (775) 359-7424
 E-MAIL: HAWS@HAWS.CO.COM
 WEBSITE: WWW.HAWS.CO.COM

EQ. NO.	REVISED PER BY:	MODEL(S)	PART NUMBER
5301	F.V.	1920/1920HPS	0510000490.D
DRAWN	DATE:	SCALE: N/A	REVISION
DATE:	DATE:	DRAWING TYPE: INSTALLATION	6
APPROVED:	DATE:	SCALE: N/A	SHEET 2 OF 6



1920HO SERIES MOUNTING HOLE LOCATIONS
(3/8" - 16 UNC MOUNTING HARDWARE NOT SUPPLIED)



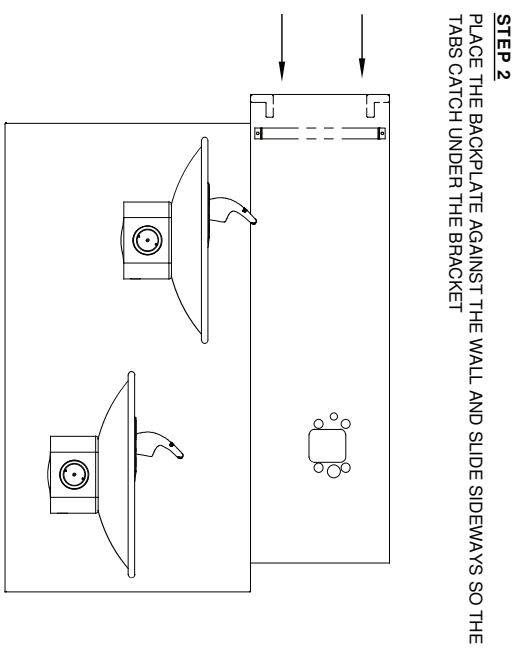
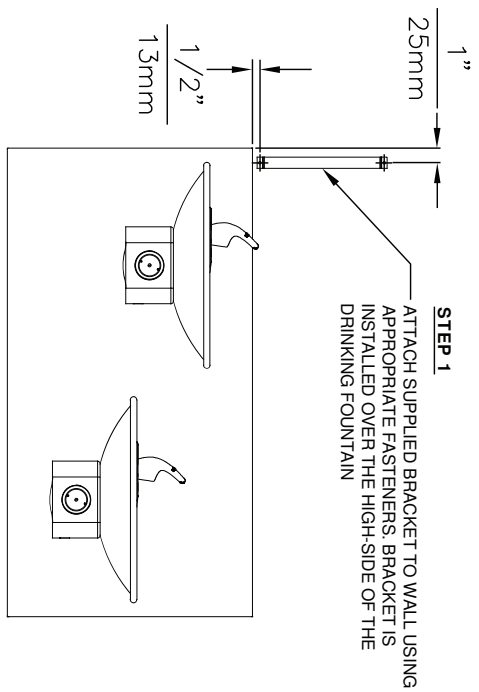
NOTES:

1. SEE SEPARATE INSTALLATION DRAWINGS FOR MOUNTING PLATES AND BACKPANELS
2. WHEN INSTALLING THIS UNIT, LOCAL, STATE OR FEDERAL CODES SHOULD BE ADHERED TO FOR INSTALLATION LOCATIONS, WASTE AND SUPPLY REQUIREMENTS OTHER THAN SHOWN.
3. REFER TO 1RKHO.H OPERATION & MAINTENANCE INSTRUCTIONS FOR SENSOR SETUP.



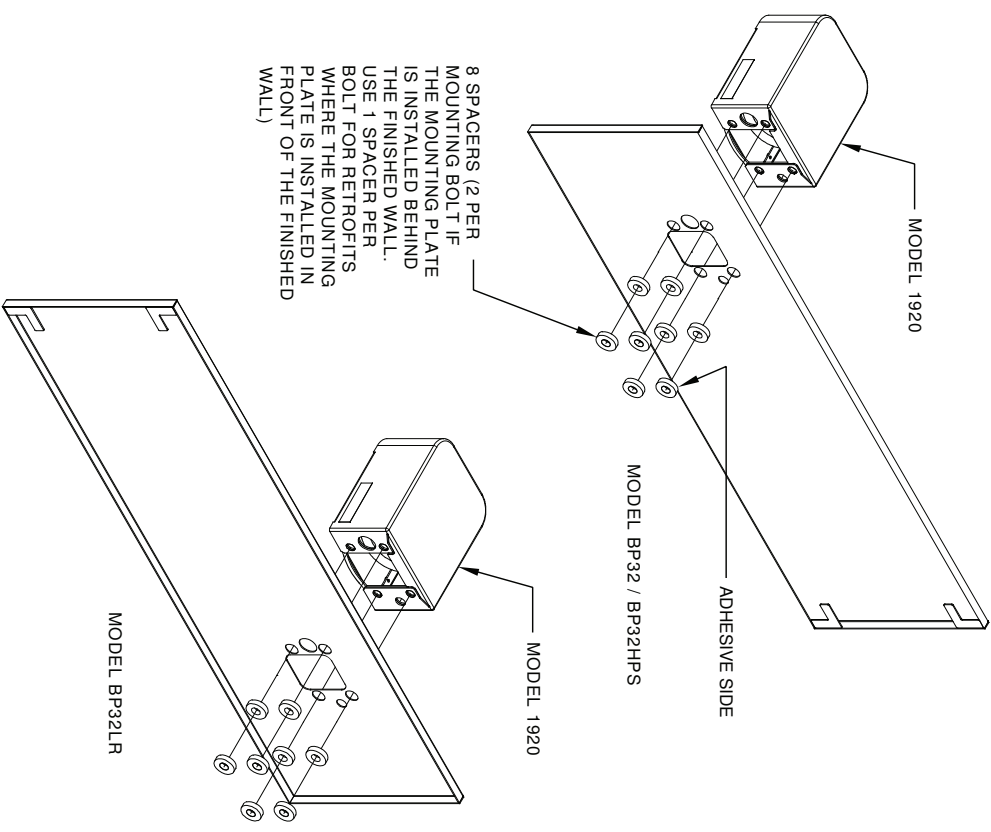
1455 KLEPPE LANE
SPARKS, NEVADA 89431
(775) 359-4712 FAX (775) 359-7424
E-MAIL: HAWS@HAWSCO.COM
WEBSITE: WWW.HAWSCO.COM

EQ. NO.	REVISED PER BY	MODEL(S)	PART NUMBER
5274	EQ. 5681 B.M.	1920HO/1920HPSHO/1920WHO	0510001063.D
DRAWN BY	DATE	SCALE	REVISION
B.M.	05/19/21	N/A	4
APPROVED	DATE	DRAWING TYPE	SHEET 1 OF 6
B.M.	05/19/21	INSTALLATION	



NOTES:
1. WHEN INSTALLING THIS UNIT, LOCAL, STATE OR FEDERAL CODES SHOULD BE ADHERED TO.

©2017 Haws Corporation - All Rights Reserved. HAWS® and other trademarks used in these materials are the exclusive property of Haws Corporation.



INSTALLATION OVER DOUBLE FOUNTAIN
SHOWN FROM REAR

		MODEL(S)	
DRAWING: BACK PANEL SPACER INST. BF		PART NUMBER	
REVISION: 2		0510000493.D	
ECN NO: 5081	REVISION: 2	DATE: 06/27/17	SCALE: 1:1
DRAWN: MJ	CHKD: MJ	DATE: 06/27/17	DRAWING TYPE: INSTALLATION
APPROVED: TV	DATE: 06/27/17	SCALE: 1:1	SIZE: A SHEET 2 OF 2
1455 KLEPPÉLANE SPARKS, NEVADA 89431 (775) 359-4712 FAX (775) 359-7424 E-MAIL: HAWS@HAWSCO.COM WEBSITE: WWW.HAWSCO.COM			