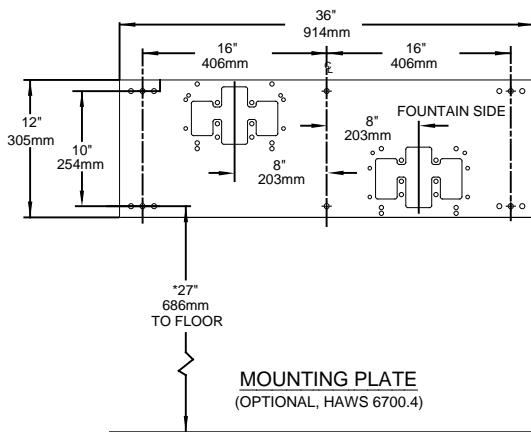
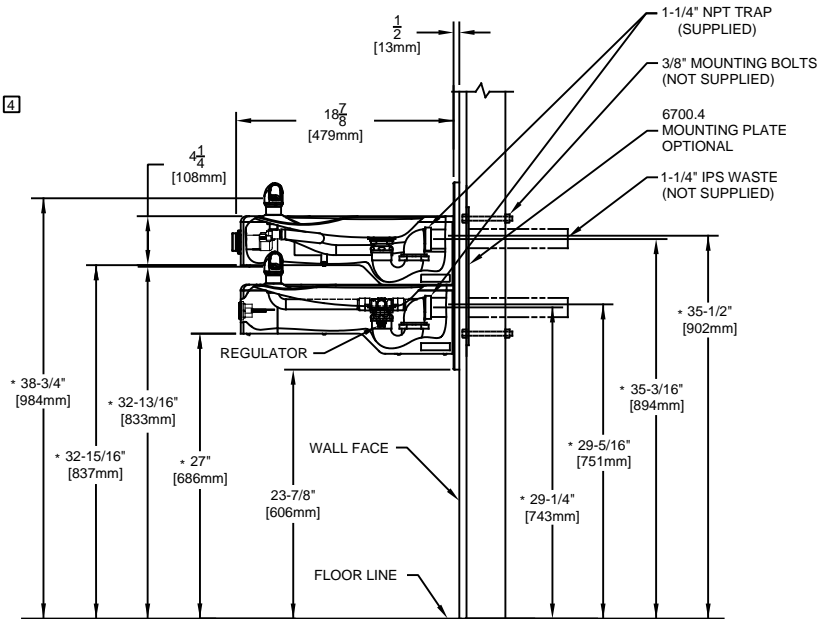
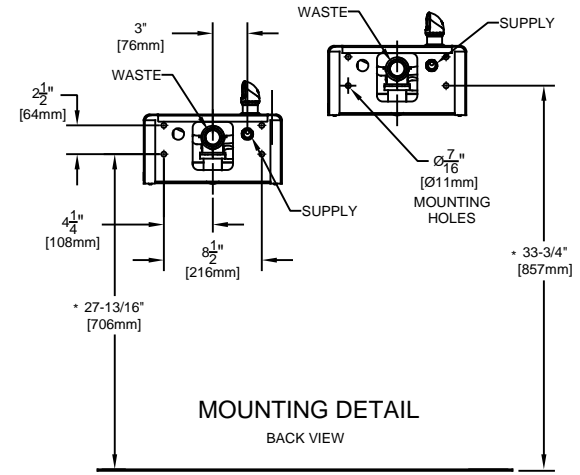
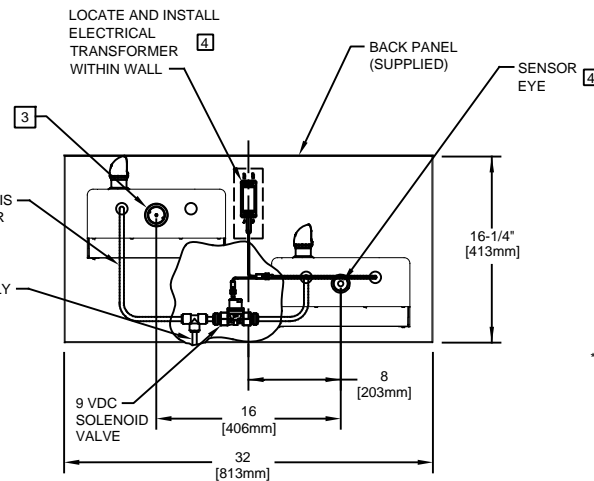
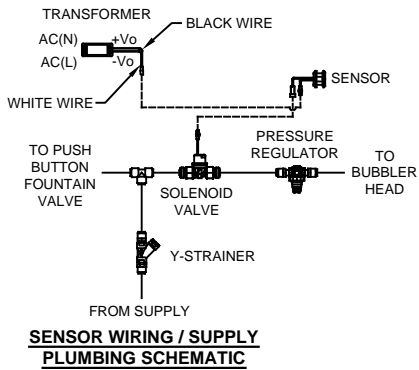
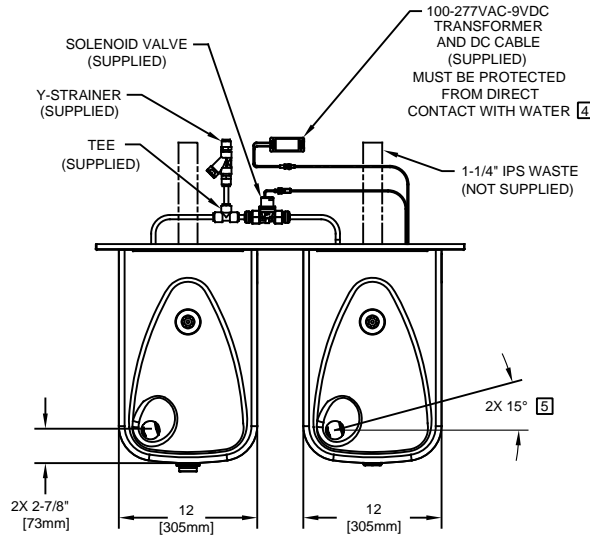


THIS DOCUMENT IS TRUE AND CORRECT AT TIME OF PUBLICATION. CONTINUED PRODUCT IMPROVEMENTS MAKE SPECIFICATIONS AND MEASUREMENTS SUBJECT TO CHANGE WITHOUT NOTICE.

NOTES:

- HOLD ROUGH-IN DIMENSIONS  $\pm \frac{1}{8}$ " (3.2MM).
- WHEN INSTALLING THIS UNIT, LOCAL, STATE, OR FEDERAL CODES SHOULD BE ADHERED TO. FOR INSTALLATION HEIGHTS OTHER THAN SHOWN, DIMENSIONS MARKED (\*) MUST BE ADJUSTED ACCORDINGLY.
- REFER TO 5874 SERIES OPERATION AND MAINTENANCE MANUAL FOR PUSH BUTTON AND VALVE INSTALLATION/MAINTENANCE INSTRUCTIONS.
- REFER TO 1RKHO OR 2RKHO SERIES OPERATION INSTRUCTONS FOR TRANSFORMER AND SENSOR SETUP.
- MAXIMUM ADJUSTABLE RANGE IS 15° FROM PARALLEL TO BACK WALL.



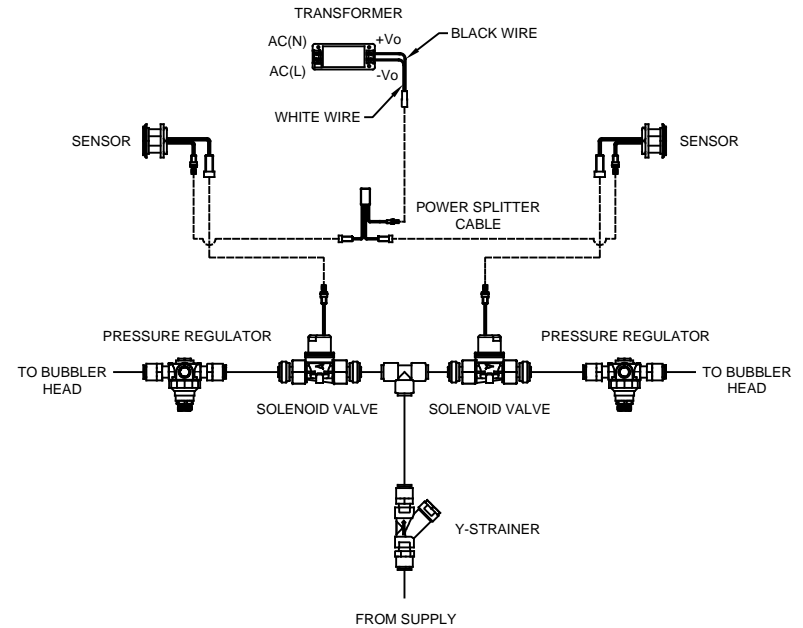
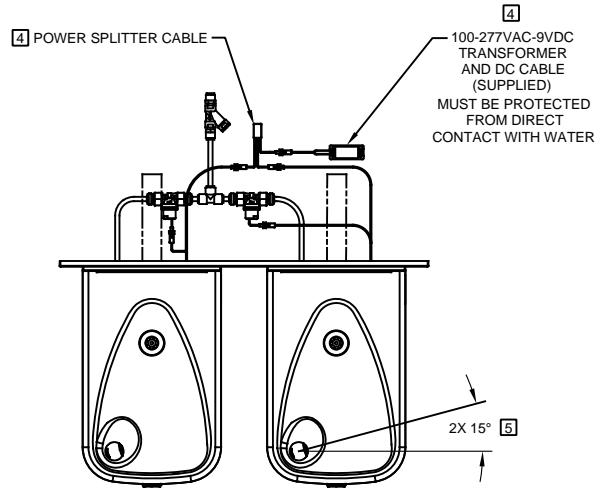
MODEL 1117LNHO SHOWN  
 MODEL 1117LNHO2 ON SHEET 2  
 (ROUGH-IN DIMENSIONS APPLY TO BOTH MODELS)



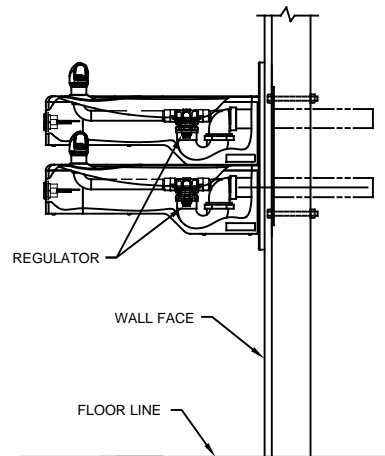
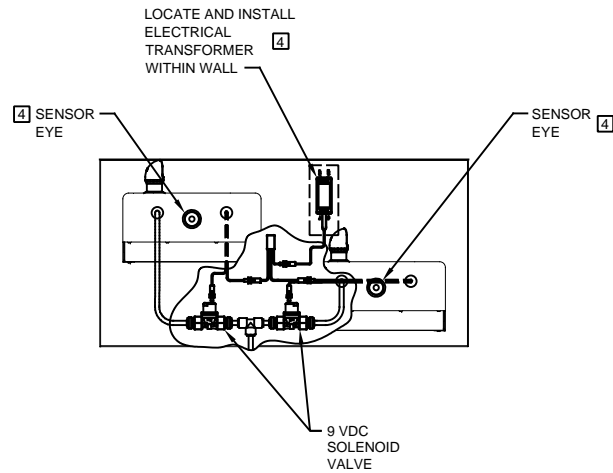
**Haws**

1455 KLEPPE LANE  
 SPARKS, NEVADA 89431  
 (775) 359-4712 FAX (775) 359-7424  
 E-MAIL: HAWS@HAWSCO.COM  
 WEBSITE: WWW.HAWSCO.COM

ECN NO. 5713	REVISED PER ECN: 5713	BY: FV	MODEL(S) 1117LNHO/1117LNHO2	PART NUMBER 0510001210.D
DRAWN: FV	DATE: 07/28/21	CHKD.: DP	REVISION 1	
APPROVED: FV	DATE: 07/29/21	SCALE: 1:2	DRAWING TYPE: INSTALLATION	SIZE: A SHEET 1 OF 2



**SENSOR WIRING / SUPPLY PLUMBING SCHEMATIC**



MODEL 1117NLHO2 SHOWN  
 MODEL 1117LNHO ON SHEET 1  
 (SEE SHEET 1 FOR APPLICABLE ROUGH-IN DIMENSIONS)

		<b>Haws</b> <sup>®</sup>		1455 KLEPPE LANE SPARKS, NEVADA 89431 (775) 359-4712 FAX (775) 359-7424 E-MAIL: HAWS@HAWS.CO.COM WEBSITE: WWW.HAWS.CO.COM	
				MODEL(S) 1117LNHO/1117LNHO2	
ECN NO. 5713	REVISED PER ECN: 5713	BY: FV	DATE: 07/28/21	CHKD.: DP	SCALE: 1:2
DRAWN: FV	DATE: 07/28/21	APPROVED: FV	DATE: 07/29/21	DRAWING TYPE: INSTALLATION	SIZE: A
				SHEET 2 OF 2	