

## FEATURES & BENEFITS

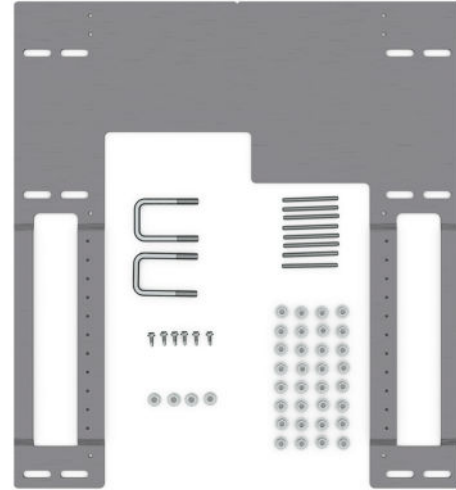
### MOUNTING

Heavy duty 3/16" (.47 cm) steel pre-drilled and threaded in-wall mounting plate along with threaded studs and hardware.

### OPTIONS

- In-Wall Carrier: Model 6800 In-wall floor mounted fixture support legs, welded steel 4-bolt floor flanges, and supplied with 'U' bolts and hardware.
- Drain Line Insert: Model 6810W for allowing a lateral waste line to pass through a 6800 carrier upright. Priced separately.

For more information, visit [www.hawsc.com](http://www.hawsc.com) or call (888) 640-4297.



## SPECIFICATIONS

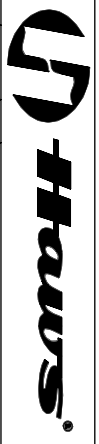
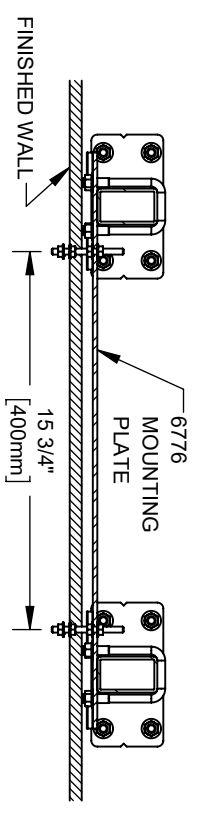
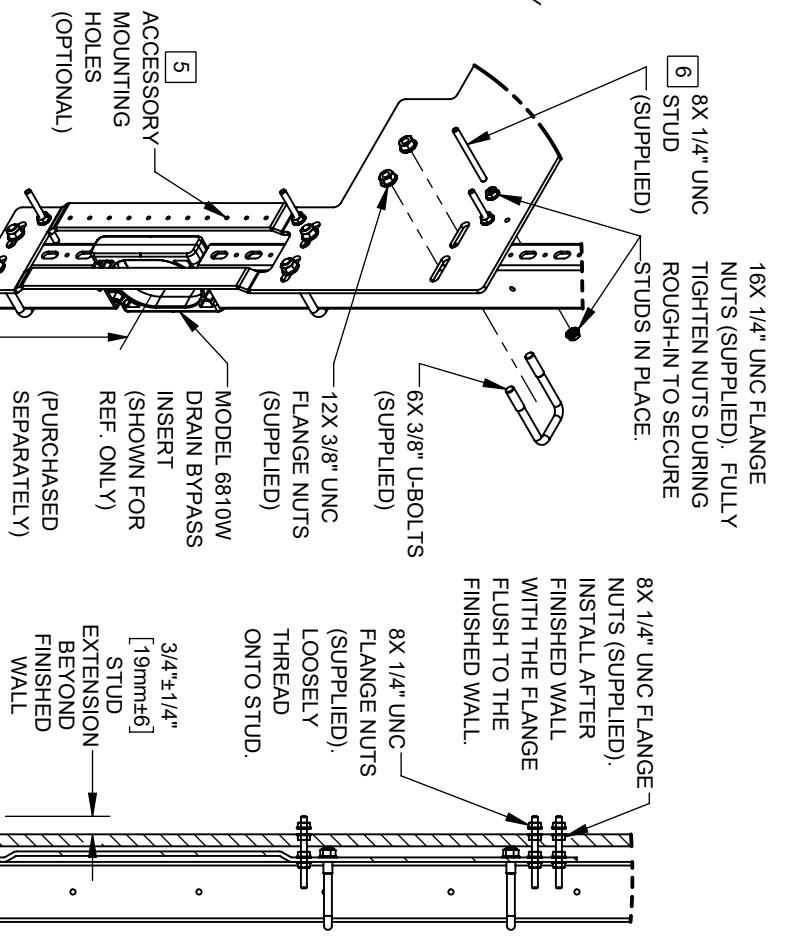
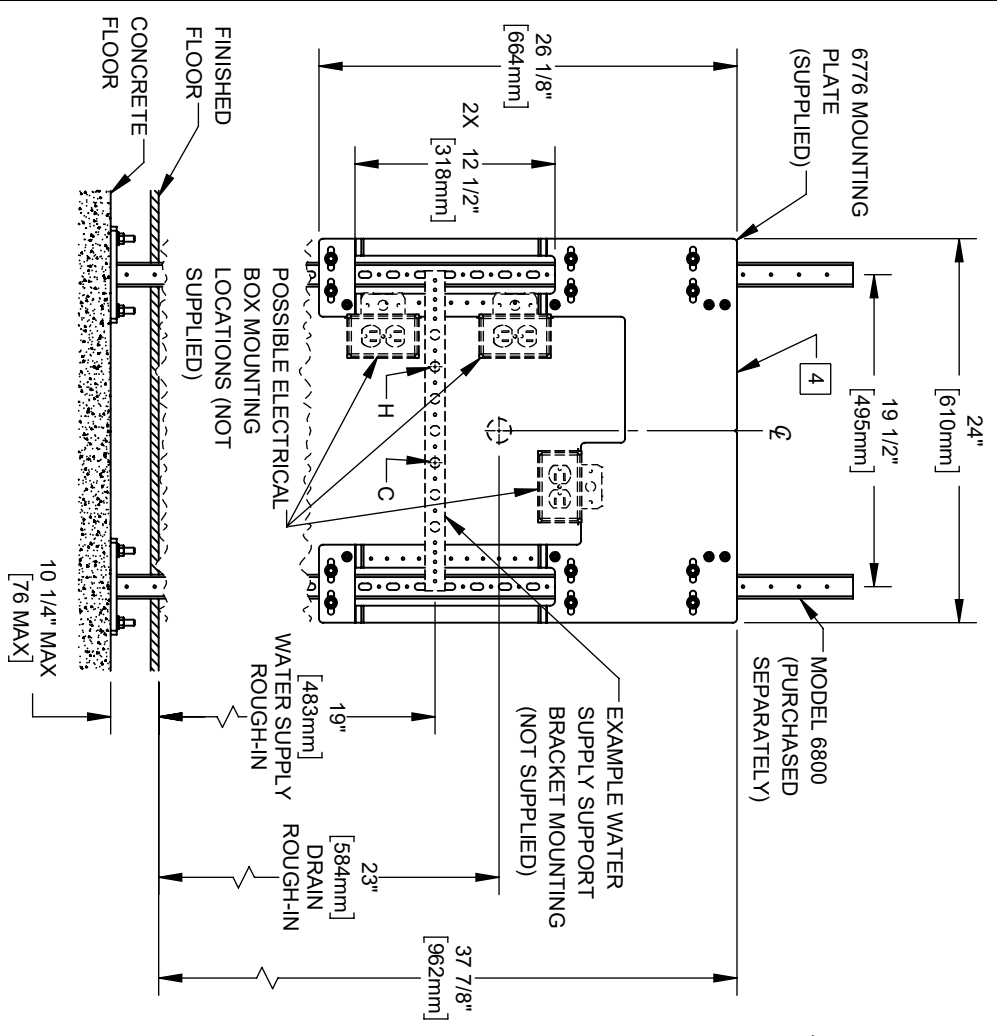
Model 6776 in-wall 3/16" thick steel pre-drilled mounting plate provides robust mounting for 7660 & 7661 sinks, and shall include required threaded studs, nuts, U-bolts, and screws, as well as multiple mounting points for both an electrical box (not supplied) and a water supply support bracket (not supplied).

## APPLICATIONS

Haws produces mounting plates and frames to assist in the installation process as well as to provide solid bases for the wall mounted designed fountains and sinks. Mounting plates and frames meet the requirements solely for the specified applicable fountains or sinks, and are not designed to be used in the installation of any unspecified fountain or sink.

NOTES:

1. HOLD ROUGH-IN DIMENSIONS ±1/4" (6.4mm).
2. WHEN INSTALLING THIS UNIT, LOCAL, STATE, OR FEDERAL CODES SHOULD BE ADHERED TO. REFER TO 7660 AND 7661 INSTALLATION DRAWINGS FOR DETAILED DRAIN AND WATER SUPPLY ROUGH-IN LOCATIONS.
3. REFER TO 7660 AND 7661 INSTALLATION DRAWINGS FOR DETAILED DRAIN AND WATER SUPPLY ROUGH-IN LOCATIONS.
4. ENSURE TOP OF 6776 MOUNTING PLATE IS LEVEL ±0.5°.
5. SELF TAPPING/DRILLING MOUNTING SCREWS PROVIDED FOR MOUNTING ELECTRICAL BOX (BY OTHERS) AND WATER SUPPLY SUPPORT BRACKET (BY OTHERS).
6. AFTER SECURING THE STUDS, COVER THREADS WITH MASKING TAPE TO PROTECT THREADS DURING FINISHED WALL INSTALLATION.



ENCL. 5877	REV. ENCL. BY:	MODEL(S)	6776
DRAWING DATE: 07/2012	DATE: CHK'D:		
APPROVED: JUI	DATE: 08/09/23	SCALE: 1:12	DRAWING TYPE: INSTALLATION
1455 KLEPPE LANE SPARKS, NEVADA 89431 (775) 359-4712 FAX (775) 359-7424 E-MAIL: HAWS@HAWSCCO.COM WEBSITE: WWW.HAWSCCO.COM		PART NUMBER 0510002140	REVISION 2