

## FEATURES & BENEFITS

---

## OPTIONS

---

For more information, visit [www.hawSCO.com](http://www.hawSCO.com) or call (888) 640-4297.



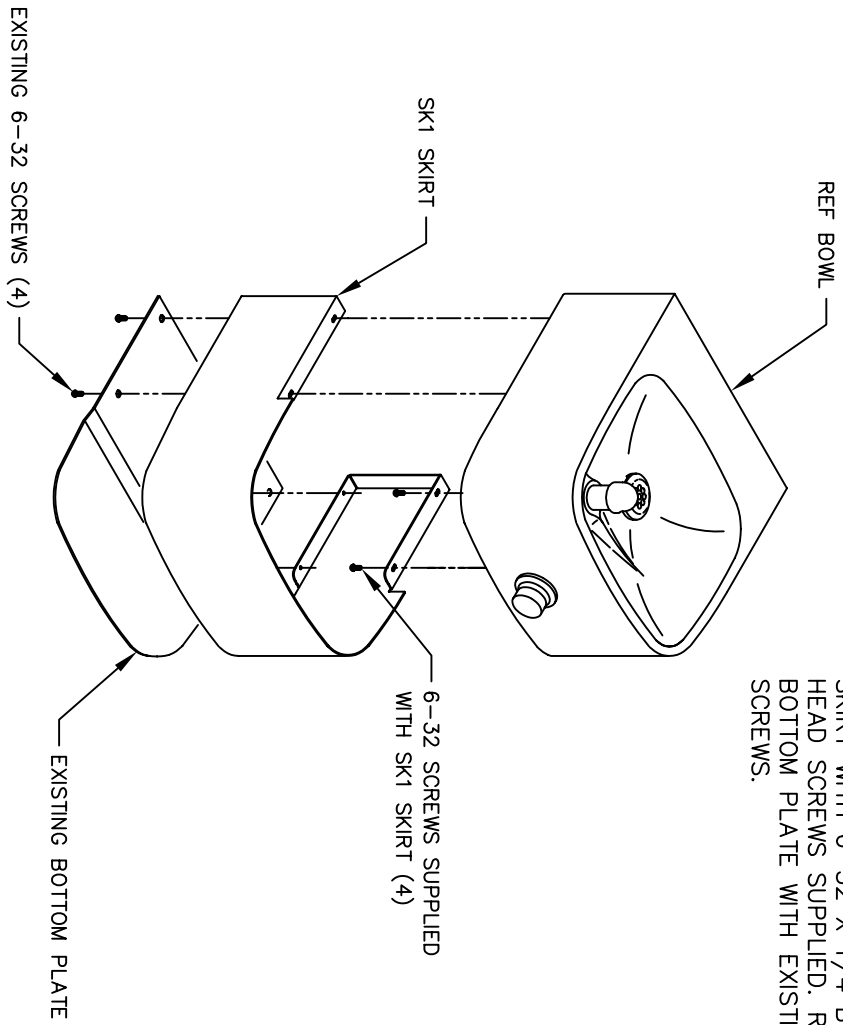
## SPECIFICATIONS

---

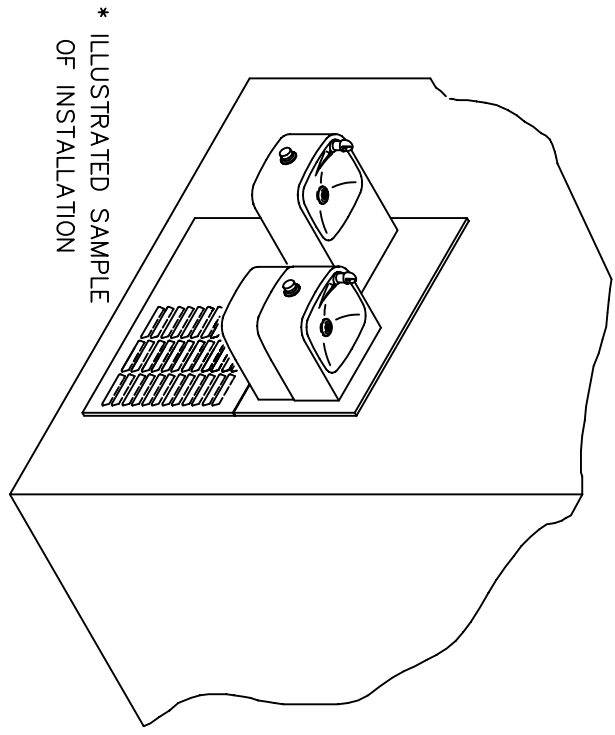
Model SK1 is a wrap around matching satin finish stainless steel cane touch skirt for installation on the high unit in some applications that may need to comply with ADA protruding objects guidelines. For use on Models 1119 and H1119.8

## APPLICATIONS

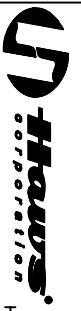
---



\*\* REMOVE BOTTOM PLATE. ATTACH SKIRT WITH 6-32 X 1/4 BUTTON HEAD SCREWS SUPPLIED. REATTACH BOTTOM PLATE WITH EXISTING 6-32 SCREWS.



\* ILLUSTRATED SAMPLE OF INSTALLATION



INFO FAX : 1-888-FAX-HAWS (1-888-329-4297)  
 1455 Kleppe Ln, Sparks, NV, 89431  
 Phone: 775-359-4712 Fax: 775-359-7424  
 Haws Ag, Buchweg 3, CH-3401, Burgdorf, Switzerland  
 Haws Mfg Pte Ltd, 74, Sungai Kadut Loop, Singapore 729531  
 e-mail: HAWS@hawsco.com Website: www.hawsco.com

REVISED PER	DATE	TITLE: SS ADA SKIRT
GE	11/10/94	MODEL: SK1
INFO FAX	DOC # 2751	SCALE: 1:10
DRAWING TYPE:	INSTALLATION/ASSEMBLY	
DATE	SHEET	REV
11/23/90	1 OF 1	0