

CALLOUT LEGEND	
A	1/4" OD WATER OUTLET
B	3/8" OD WATER INLET
C	TEMPERATURE CONTROL
D	JUNCTION BOX
E	ELECTRICAL WIRING OPENING

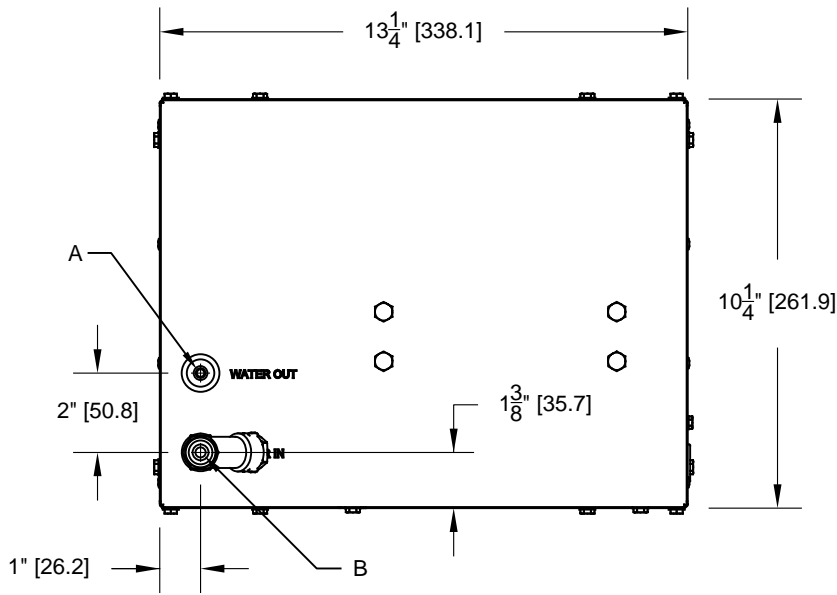


FIG. 2

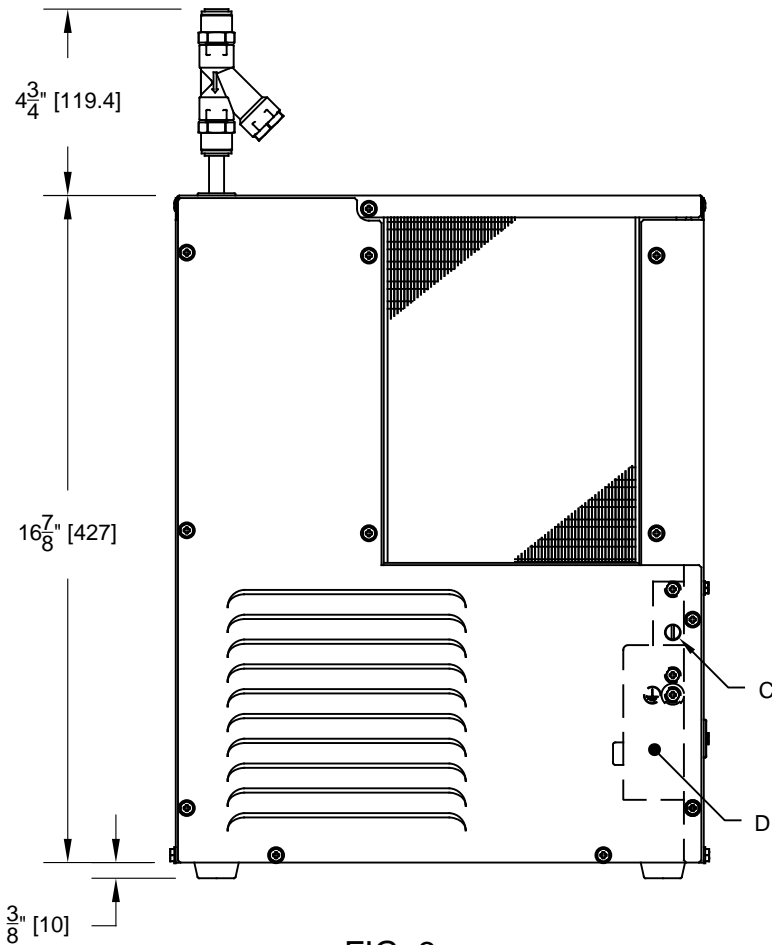


FIG. 3

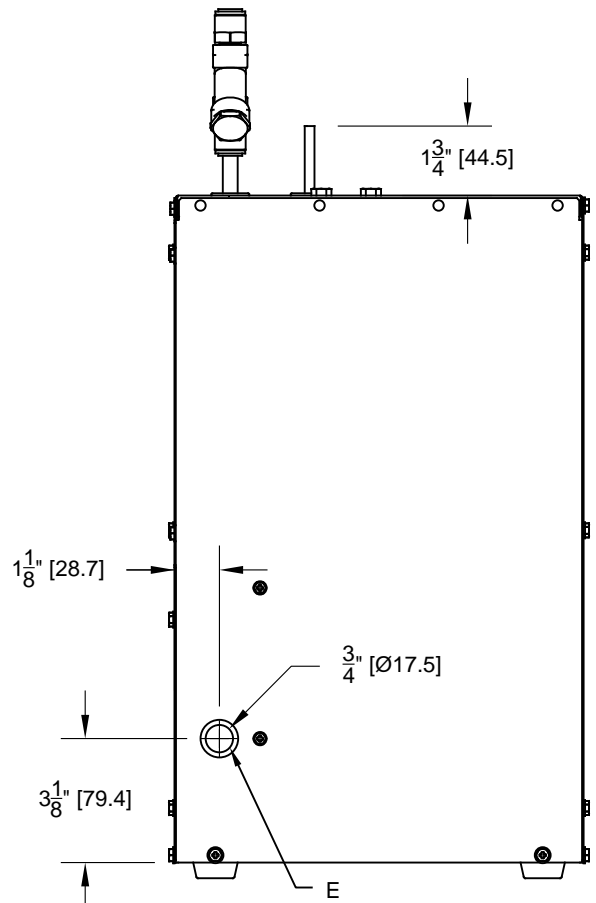



FIG. 4

		1455 KLEPPE LANE SPARKS, NEVADA 89431 (775) 359-4712 FAX (775) 359-7424 E-MAIL: HAWS@HAWSO.COM WEBSITE: WWW.HAWSO.COM	
		ECN NO. 5099 DRAWN HM APPROVED JL	REVISED PER ECN: 5401 DATE 05/05/16 DATE 02/05/19
SCALE: NA DRAWING TYPE: INSTALLATION			PART NUMBER 011000525.D REVISION 3
SIZE: A SHEET 1 OF 2			

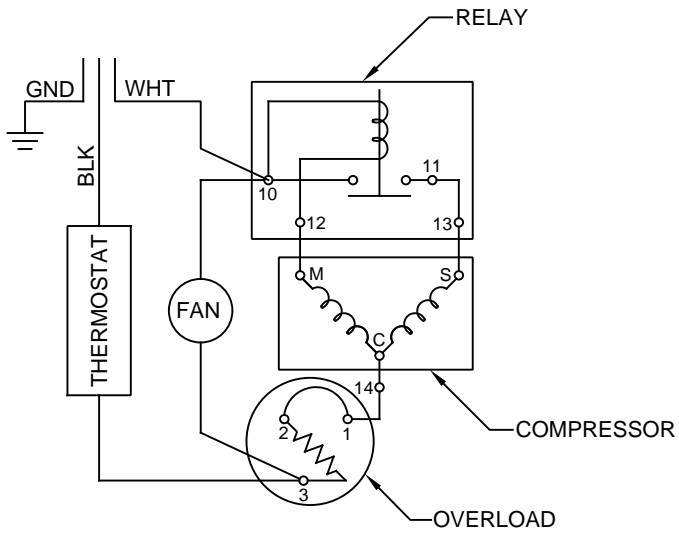


FIG. 5
WIRING DIAGRAM

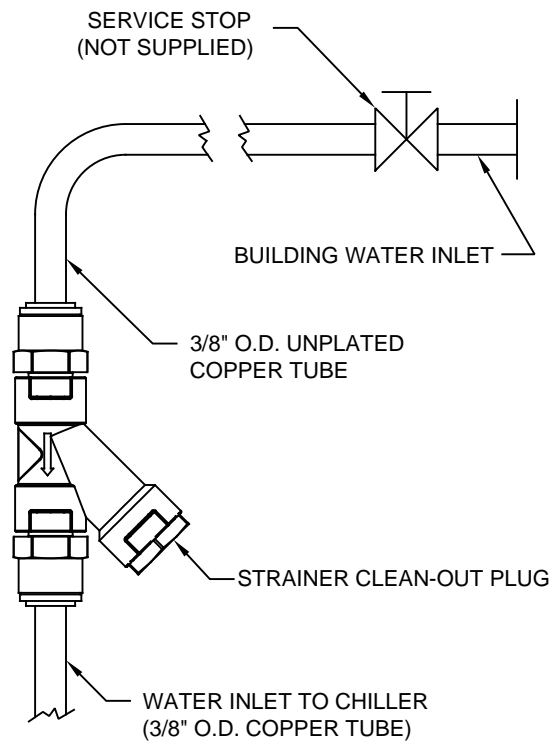



FIG. 6
WATER CONNECTION DIAGRAM

		Haws [®]		1455 KLEPPE LANE SPARKS, NEVADA 89431 (775) 359-4712 FAX (775) 359-7424 E-MAIL: HAWS@HAWS.CO.COM WEBSITE: WWW.HAWS.CO.COM	
				ECN NO. 5099 DRAWN HM APPROVED JL	REVISED PER ECN: 5401 DATE 05/05/16 DATE 02/05/19
SCALE: NA		DRAWING TYPE: INSTALLATION		SIZE: A SHEET 2 OF 2	