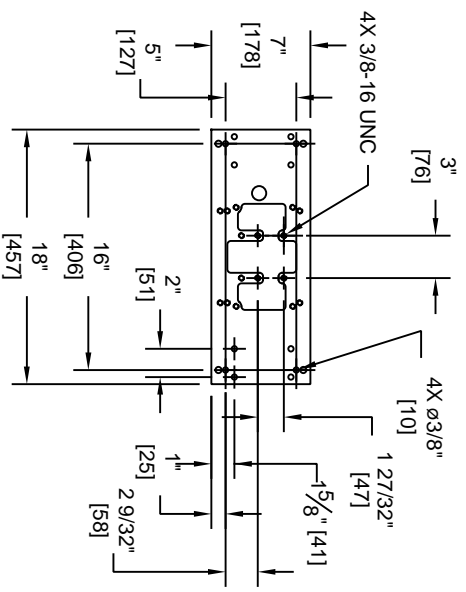
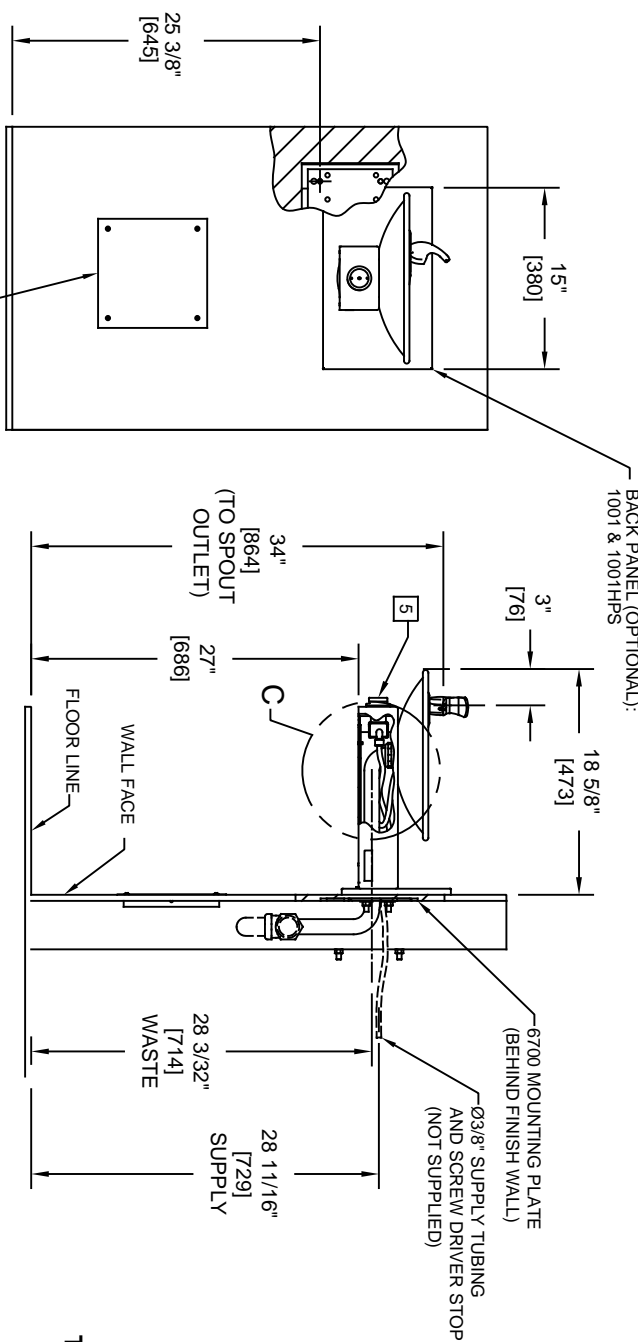
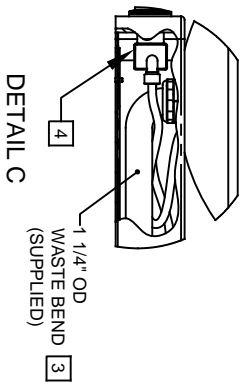
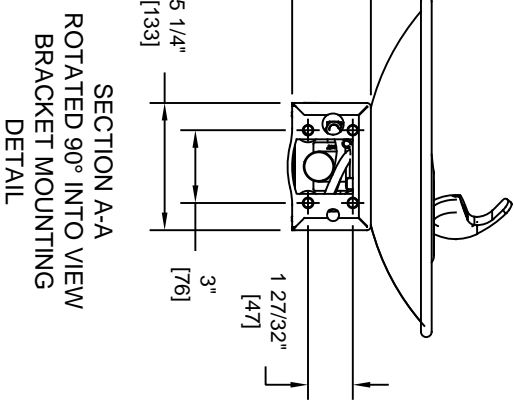
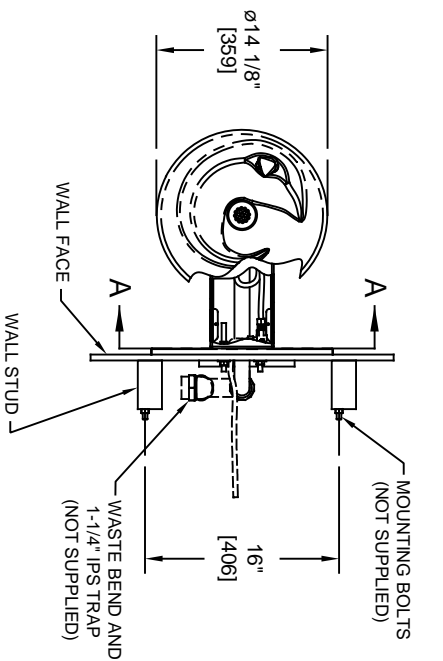



NOTES:

1. HOLD ROUGH-IN DIMENSIONS  $\pm 1/8"$  (3.2mm).
2. WHEN INSTALLING THIS UNIT, LOCAL, STATE, OR FEDERAL CODES SHOULD BE ADHERED TO FOR INSTALLATION DIMENSIONS (LOCATIONS), WASTE AND SUPPLY REQUIREMENTS OTHER THAN SHOWN.
3. INSTALLER MUST PROVIDE TRAP FOR PROPER INSTALLATION.
4. REMOVE VALVE FROM PUSH BUTTON TO INSTALL WASTE ELBOW ONTO BOWL. AFTER WASTE ELBOW IS INSTALLED, REINSTALL VALVE AND ADJUST FLOW.
5. REFER TO 5874 SERIES OPERATION AND MAINTENANCE MANUAL FOR PUSH BUTTON AND VALVE INSTALLATION/MAINTENANCE INSTRUCTIONS.



**6700 MOUNTING PLATE  
MUST BE INSTALLED BEFORE FINISH WORK  
THIS PLATE IS REQUIRED - SOLD SEPARATELY.**

OPTIONAL TRAP ACCESS PANEL  
MODELS 6603 AND 6603HPS

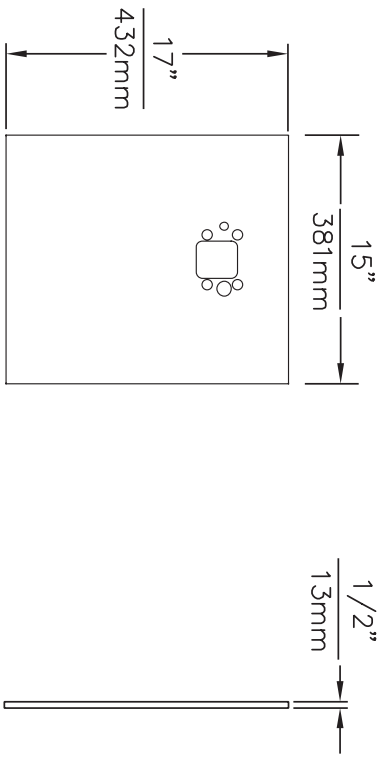


**HAWWS**

1456 KLEPPE LANE  
SPARKS, NEVADA, 89431  
(775) 359-4712 FAX (775) 359-7424  
E-MAIL: HAWWS@HAWSCO.COM  
WEBSITE: WWW.HAWSCO.COM

ECN NO. REVISED PER BY:	MODEL(S)
ECN: 5527 FV	1001/1001HPS
DATE: 05/97	
CHKD: DP	
RTM	
APPROVED: FV	
DATE: 04/02/20	
SCALE: 1:1	DRAWING TYPE: INSTALLATION
SIZE: A	SHEET: 1 OF 1
PART NUMBER: 0002076304.D	REVISION: 21

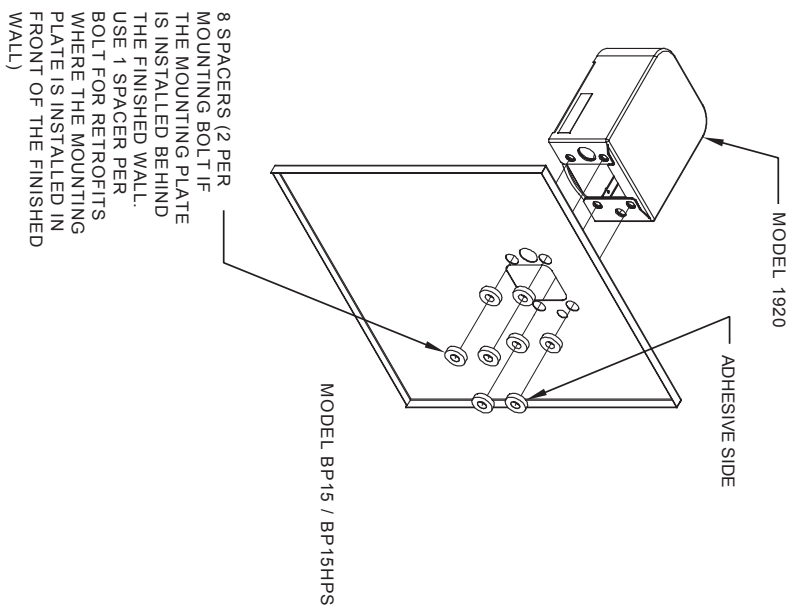
THIS DOCUMENT IS TRUE AND CORRECT AT TIME OF PUBLICATION. CONTINUED PRODUCT IMPROVEMENTS MAKE SPECIFICATIONS AND MEASUREMENTS SUBJECT TO CHANGE WITHOUT NOTICE.



**MODEL BP15 / BP15HPS**

- NOTES:
- WHEN INSTALLING THIS UNIT, LOCAL, STATE OR FEDERAL CODES SHOULD BE ADHERED TO.

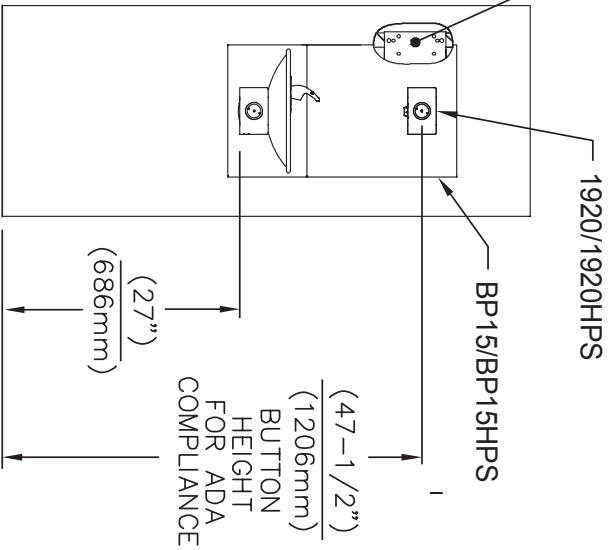
©2017 Haws Corporation - All Rights Reserved. HAWS® and other trademarks used in these materials are the exclusive property of Haws Corporation.



**INSTALLATION OVER SINGLE FOUNTAIN**  
SHOWN FROM REAR

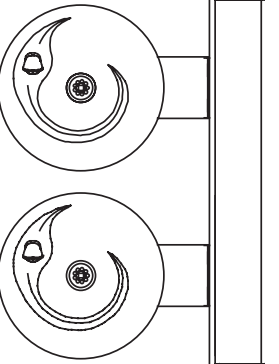
		1455 KLEPPPE LANE SPARKS, NEVADA 89431 (775) 359-4712 FAX (775) 359-7424 E-MAIL: HAWS@HAWS.CO.COM WEBSITE: WWW.HAWS.CO.COM	
ECONO	REVISED PER BR	MODEL(S)	PART NUMBER
DRAWN	DATE	GC	1001-20
DESIGN	DATE	CHKD	REVISION
APPROVED	DATE		0A.1
SCALE: 1:1		DRAWING TYPE:	INSTALLATION
		SIZE: A	SHEET 2 OF 2

6700 MOUNTING PLATE  
(BEHIND FINISH WALL)  
- OR -  
6700R RETROFIT PLATE  
(ON TOP OF FINISH WALL)



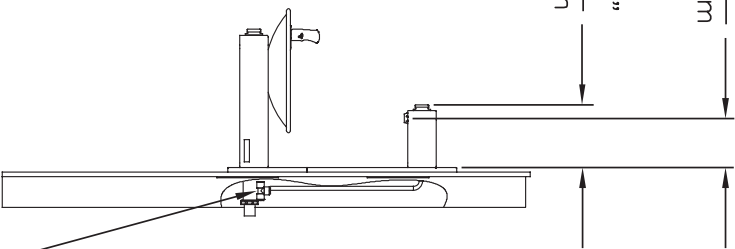
\* IF YOUR FOUNTAIN IS THIS STYLE USE THESE DIMENSIONS

1. SEE SEPARATE INSTALLATION DRAWINGS FOR MOUNTING PLATES AND BACKPANELS
2. WHEN INSTALLING THIS UNIT, LOCAL, STATE OR FEDERAL CODES SHOULD BE ADHERED TO FOR INSTALLATION LOCATIONS, WASTE & SUPPLY REQUIREMENTS OTHER THAN SHOWN.



5-5/8"  
143mm

7-1/4"  
184mm

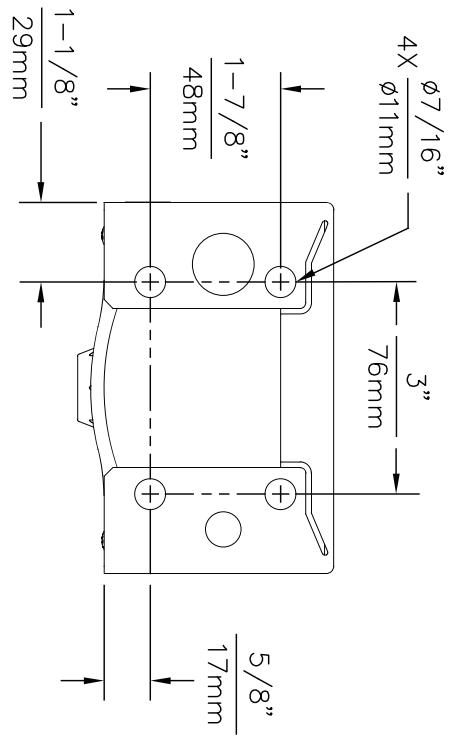
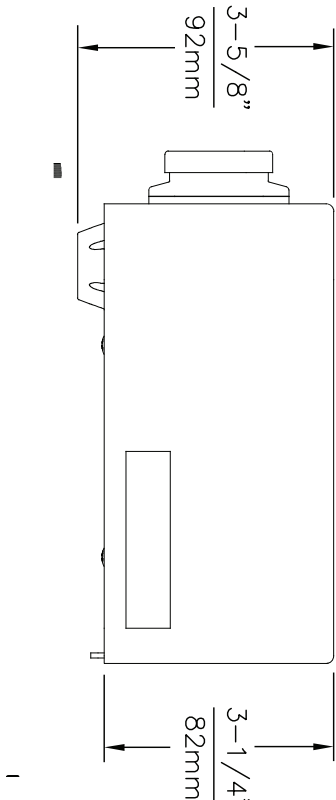


1455 KLEPPE LANE  
SPARKS, NEVADA 89431  
(775) 359-4712 FAX (775) 359-7424  
E-MAIL: HAWS@HAWSCO.COM  
WEBSITE: WWW.HAWSCO.COM

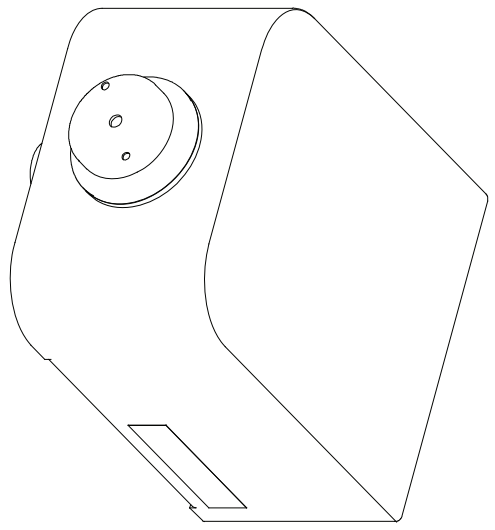
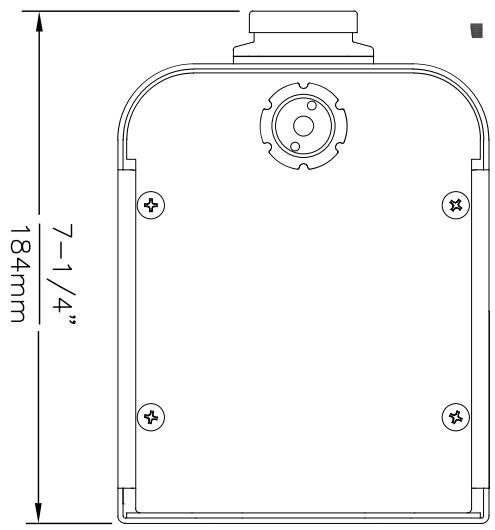
EDNNO	REVISED/PER BY:	MODEL(S)	MODEL 1001 AND 1001HPS WITH MODEL 1920 BOTTLE FILLER
DRAWN	DATE	CHK'D	
APPROVED	DATE	SCALE	N/A
		DRAWING TYPE:	INSTALLATION
		SIZE:	A1 SHEET 1 OF 2
		PART NUMBER	1001-20
		REVISION	0A.1

© Haws Corporation - All Rights Reserved. HAWS® and other trademarks used in these materials are the exclusive property of Haws Corporation.

THIS DOCUMENT IS TRUE AND CORRECT AT TIME OF PUBLICATION. CONTINUED PRODUCT IMPROVEMENTS MAKE SPECIFICATIONS AND MEASUREMENTS SUBJECT TO CHANGE WITHOUT NOTICE.



1920 MOUNTING HOLE LOCATIONS



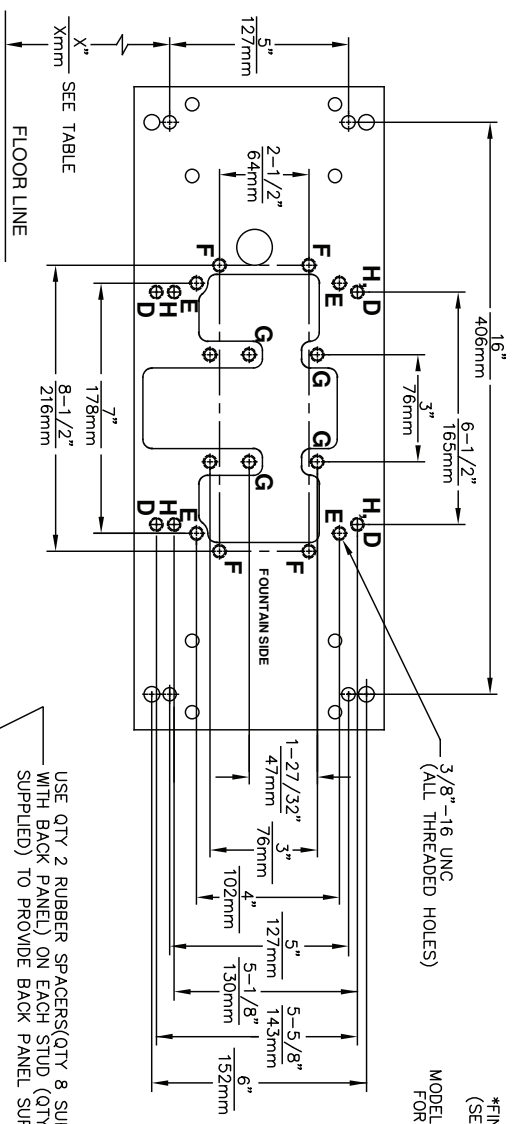
NOTES:

1. SEE SEPERATE INSTALLATION DRAWINGS FOR MOUNTING PLATES AND BACKPANELS
2. WHEN INSTALLING THIS UNIT, LOCAL, STATE OR FEDERAL CODES SHOULD BE ADHERED TO FOR INSTALLATION LOCATIONS, WASTE & SUPPLY REQUIREMENTS OTHER THAN SHOWN.

		<b>Haws</b>	
1455 KLEPPE LANE SPARKS, NEVADA, 89431 (775) 359-4712 FAX (775) 359-7484 E-MAIL: HAWS@HAWSCO.COM WEBSITE: WWW.HAWSCO.COM		MODEL(S) MODEL 1920/1920HPS/1920W	
EQUIP. NO. 3981	REVISIONS 1	DATE 06/25/18	SCALE N/A
DESIGNED BY DS	CHECKED BY MJ	DATE 06/25/18	DRAWING TYPE INSTALLATION
APPROVED BY TJ	DATE 06/27/17	SCALE N/A	INSTALLATION
PART NUMBER 0510000490.D		REVISION 2	SIZE A SHEET 1 OF 5

©2017 Haws Corporation - All Rights Reserved. HAWS® and other trademarks used in these materials are the exclusive property of Haws Corporation.

THIS DOCUMENT IS TRUE AND CORRECT AT TIME OF PUBLICATION. CONTINUED PRODUCT IMPROVEMENTS MAKE SPECIFICATIONS AND MEASUREMENTS SUBJECT TO CHANGE WITHOUT NOTICE.



USE QTY 2 RUBBER SPACERS(QTY 8 SUPPLIED WITH BACK PANEL) ON EACH STUD (QTY 4 SUPPLIED) TO PROVIDE BACK PANEL SUPPORT.

\*FINISHED WALL (SEE TOP VIEW) MODEL SHOWN IS FOR REF ONLY

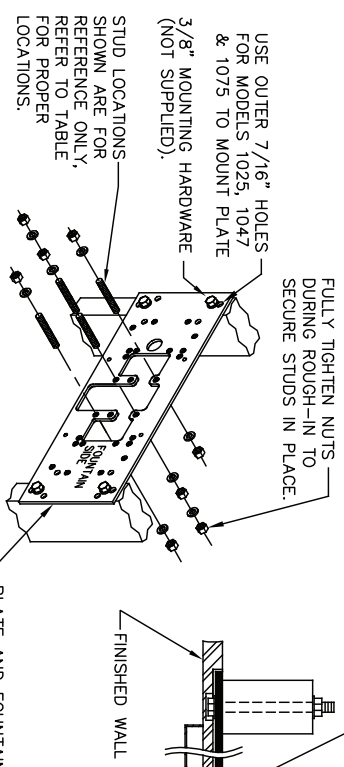
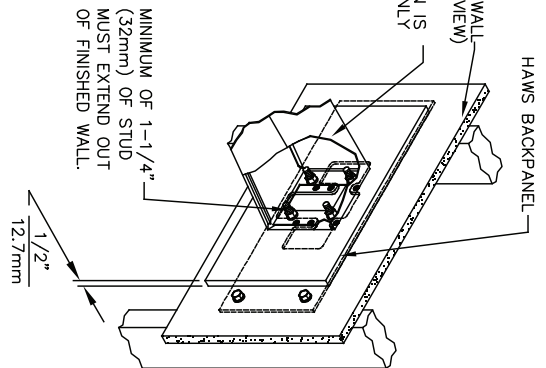
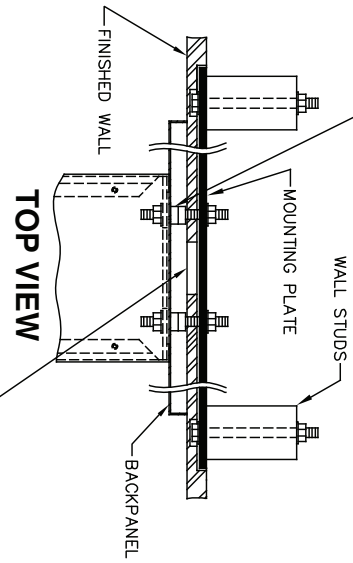


PLATE AND FOUNTAIN MOUNTING HARDWARE (3/8"-16 UNC) SUPPLIED BY HAWES.



\*FINISH WALL OVER MOUNTING PLATE AND BEHIND BACKPANEL. MAKE SURE THAT FINISHED WALL EXTENDS WITHIN THE BRACKET/BOWL MOUNTING HOLES (TO PROVIDE SURFACE AREA FOR RUBBER SPACERS TO CONTACT).

MODEL	MTG HOLES	"X" DIM
1000	"G"	25-3/8" [645mm]
1001	"G"	25-3/8" [645mm]
1025	"D"	28-1/8" [714mm]
1047	"E"	27-1/2" [699mm]
1075	"E"	28" [711mm]
1105	"H"	34-5/16" [872mm]
1109	"H"	27-5/16" [694mm]
1116	"G"	25-3/8" [645mm]
1001FR	"G"	25-3/8" [645mm]
1109FR	"H"	27-5/16" [694mm]
1075FR	"E"	28" [711mm]
1311	"E"	26-3/4" [679mm]
1107L	"E"	26-3/16" [665mm]
1311TRIMCA	"E"	26-3/4" [679mm]

**CAUTION**

REGARDING CONCRETE/MASONRY WALL MOUNTING: DO NOT SECURE MOUNTING PLATE TO SAME SIDE OF WALL AS FOUNTAIN. AVOID COMPROMISING INTEGRITY OF WALL WHEN ANCHORING FOUNTAIN. IT IS RECOMMENDED THAT INSTALLER CALL TECHNICAL SUPPORT IF THERE ARE ANY QUESTIONS AS TO HOW TO OBTAIN A PROPER ANCHOR IN CONCRETE/MASONRY WALLS. 1-800-766-5612



**Haws**

1465 KLEPPPE LANE  
SPARKS, NEVADA 89431  
(775) 359-4712 FAX (775) 359-7424  
E-MAIL: HAWES@HAWESCO.COM  
WEBSITE: WWW.HAWESCO.COM

REVISED PER BY: PV  
DRAWN: LEON STYZ  
CHKD: CJKND  
DATE: 09/03/04  
SCALE: 1/5  
DRAWING TYPE: INSTALLATION  
SIZE: A  
SHEET: 1 OF 2

MODEL(S): 6700  
MOUNTING PLATE, SINGLE

PART NUMBER: 0002080016  
DRAWING NO.: 05387C00  
REV: 20