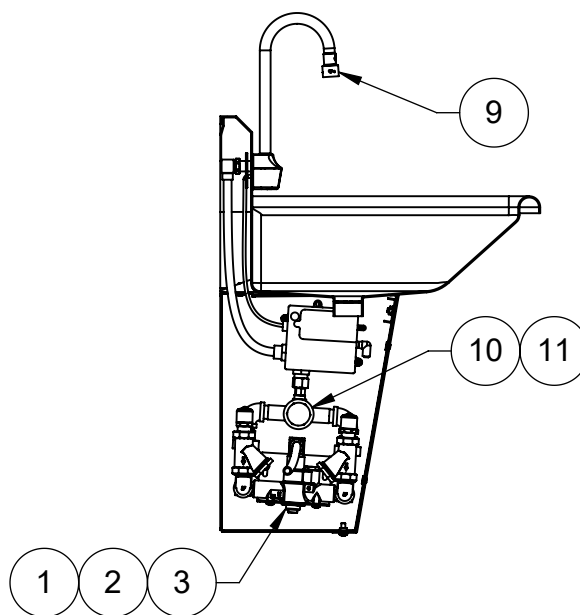
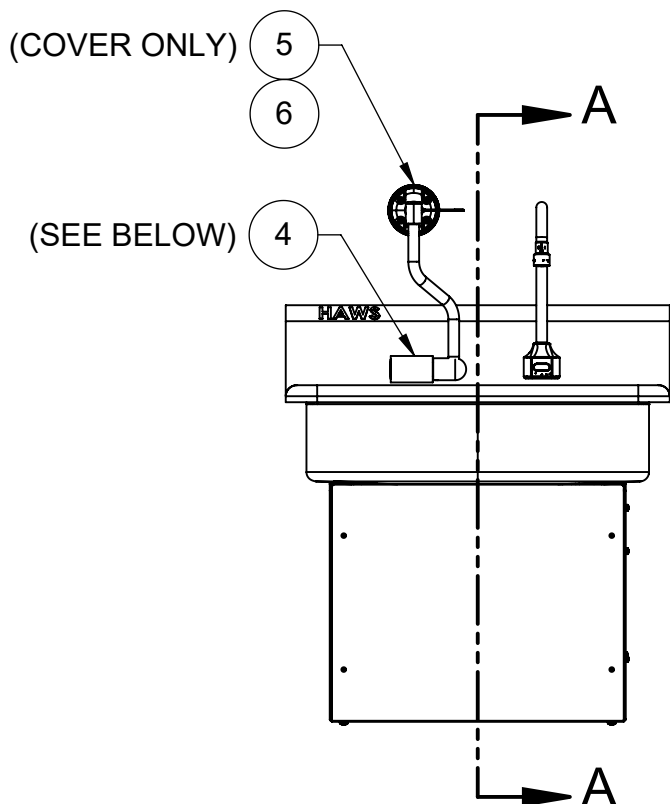
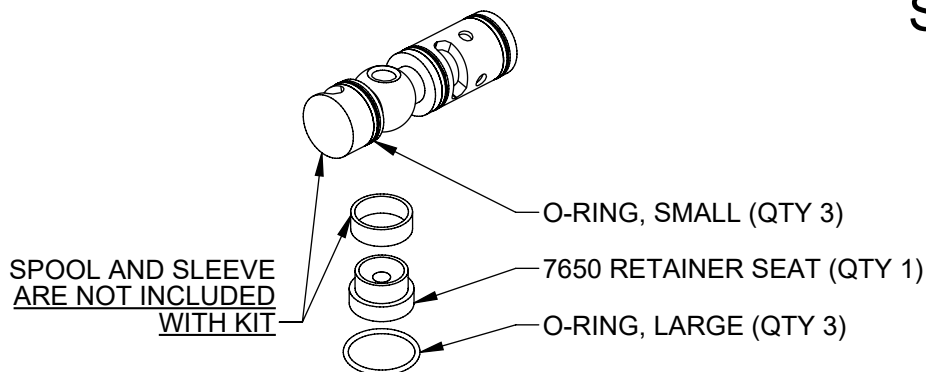


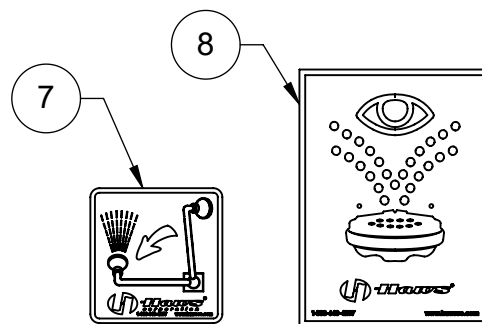
ITEM	DESCRIPTION	PART NO.
1	EYE/FACE WASH THERMOSTATIC MIXING VALVE	9201EW
2	9201EW COMPLETE REPAIR KIT (SEE 9201EW PARTS BREAKDOWN FOR DETAILS)	VRK01EW.A
3	9201EW BASIC MAINT KIT W/ T-STAT+O-RINGS (SEE 9201EW PARTS BREAKDOWN FOR DETAILS)	VRK01EW.E
4	EYE/FACE WASH VALVE REPAIR KIT	VRK7650
5	EYE/FACE WASH COVER	9091
6	AXION EYE/FACE WASH HEAD (COVER INCLUDED)	SP65PD
7	PULLDOWN EYE/FACE WASH LABEL	0003163821.10
8	EYE/FACE WASH SIGN	SP175
9	0.5 GPM LAMINAR FLOW CONTROL	0110001497
	1.2 GPM LAMINAR FLOW CONTROL	0110001498
	2.2 GPM LAMINAR FLOW CONTROL (NOT AVAILABLE IN ALL LOCATIONS)	0110001499
10	FAUCET THERMOSTATIC MIXING VALVE	9203
11	9203 COMPLETE REPAIR KIT (SEE 9203 PARTS BREAKDOWN FOR DETAILS)	0510002211



### SECTION A-A



4 VRK7650 REPAIR KIT



SIGNAGE

			1455 KLEPPE LANE SPARKS, NEVADA 89431 (775) 359-4712 FAX (775) 359-7424 E-MAIL: HAWS@HAWS.CO.COM WEBSITE: WWW.HAWS.CO.COM			
			ECN: 5858 DRAWN: DHP APPROVED: RH	REV. ECN: 5990 DATE: 03/25/22 DATE: 02/22/24	BY: IR CHKD: IR	MODEL(S) 7660 & 7661
WHEN ORDERING PARTS, PLEASE SPECIFY PART NUMBER			SCALE: 1:12	DRAWING TYPE: PARTS BREAKDOWN	SIZE: A	SHEET 1 OF 1