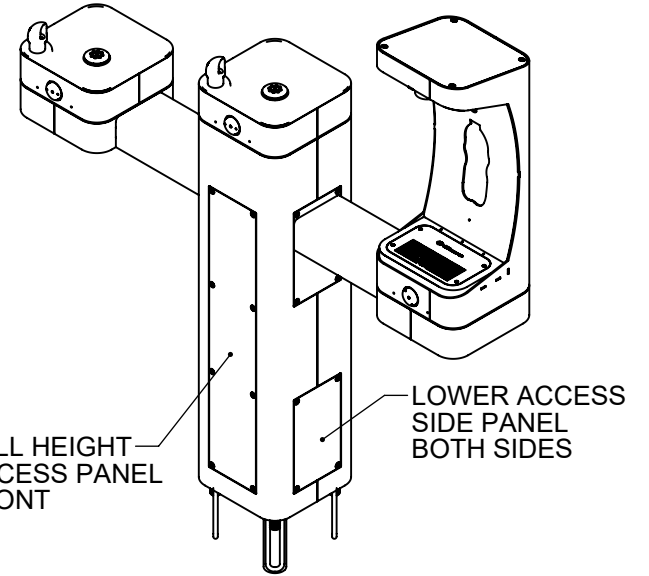
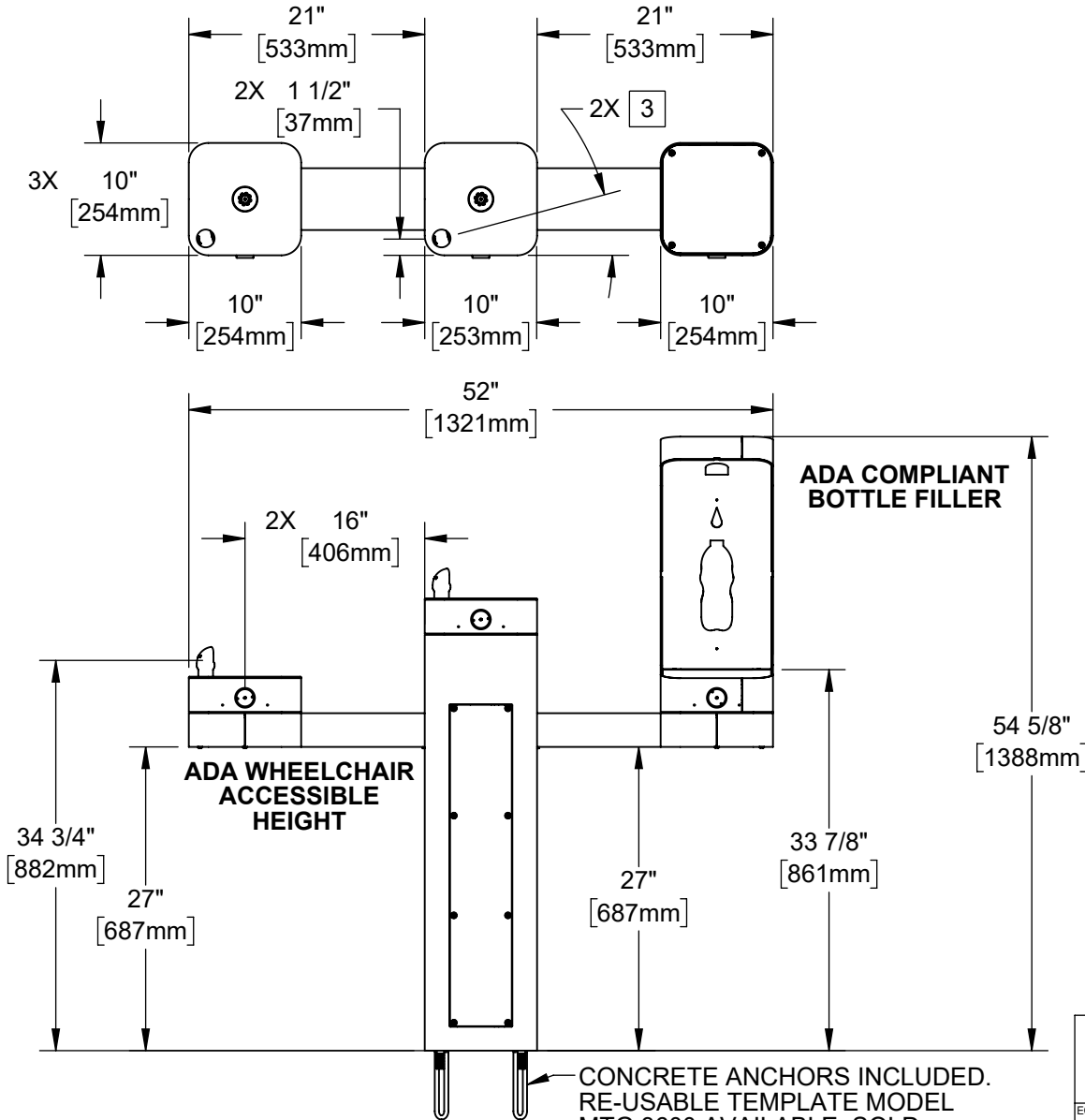


NOTES:

1. WHEN INSTALLING THIS UNIT, LOCAL, STATE, OR FEDERAL CODES SHOULD BE ADHERED TO. INSTALL A TRAP IN THE WASTE LINE AND A SCREWDRIVER STOP IN THE SUPPLY LINE IF REQUIRED.
2. ARM HEIGHT CAN BE CONFIGURED AS DESIRED, REFER TO SHEET 6 FOR ALTERNATE CONFIGURATIONS.
3. MAXIMUM ADJUSTABLE RANGE IS 15° FROM PARALLEL TO BACK OF WALL.



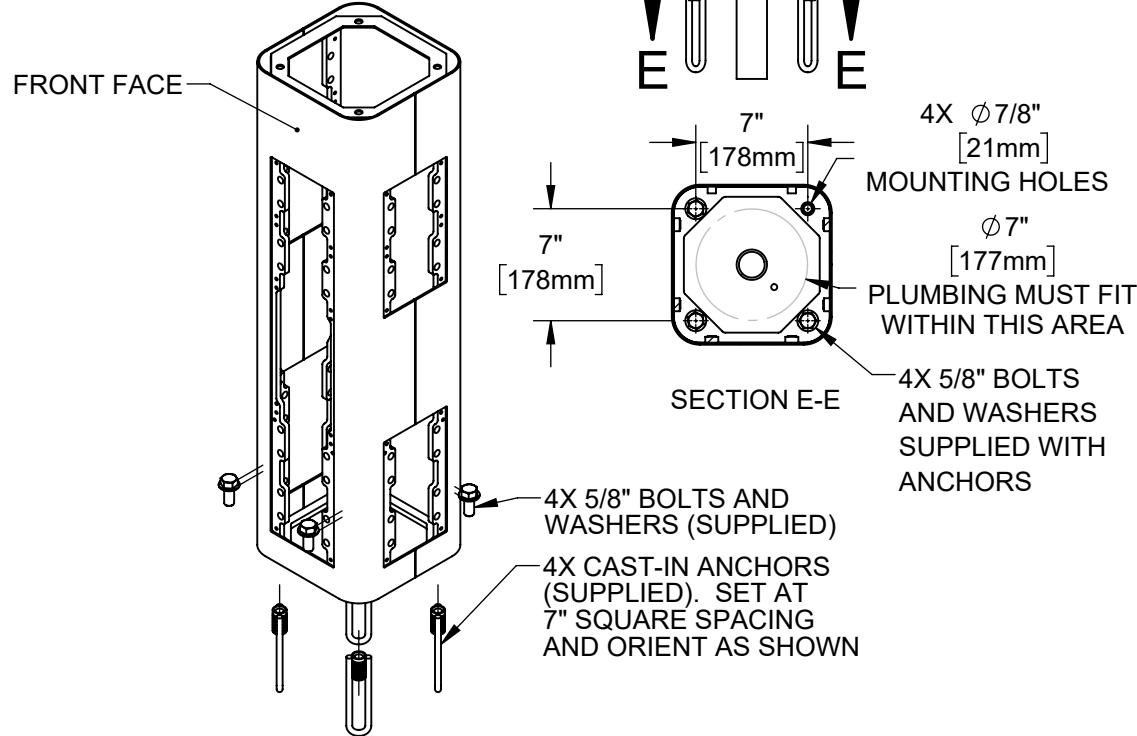
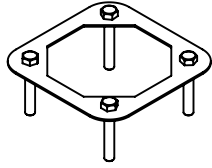
HAWS MODEL 3612BFA/3612FBFA IS FULLY COMPLIANT WITH THE FEDERAL 2010 AMERICANS WITH DISABILITIES ACT (ADA) ACCESSIBILITY REQUIREMENTS WHEN INSTALLED AS SHOWN HERE AND WHEN INSTALLED WITH PROPER CLEARANCES AND ACCESS. IT IS THE RESPONSIBILITY OF THE INSTALLER TO ADHERE TO LOCAL, STATE, AND FEDERAL CODES WHEN INSTALLING THIS UNIT. DISTANCE TO SURROUNDING OBJECTS, APPROACH SURFACES, ETC. SHOULD BE CONSIDERED. REFER TO SHEET 7 FOR MORE INFORMATION.

| | | | |
|--|--|---|---|
| | | 1455 KLEPPE LANE SPARKS, NEVADA 89431 (775) 359-4712 FAX (775) 359-7424 E-MAIL: HAWS@HAWSCO.COM WEBSITE: WWW.HAWSCO.COM | |
| | | ECN: 5804 REV. ECN: 5804 DRAWN: DHP APPROVED: DHP | BY: JU DATE: 6/11/20 DATE: 06/06/22 |
| SCALE: 1:16 DRAWING TYPE: INSTALLATION SIZE: A | | SHEET 1 OF 7 | |

INSTALLATION INSTRUCTIONS

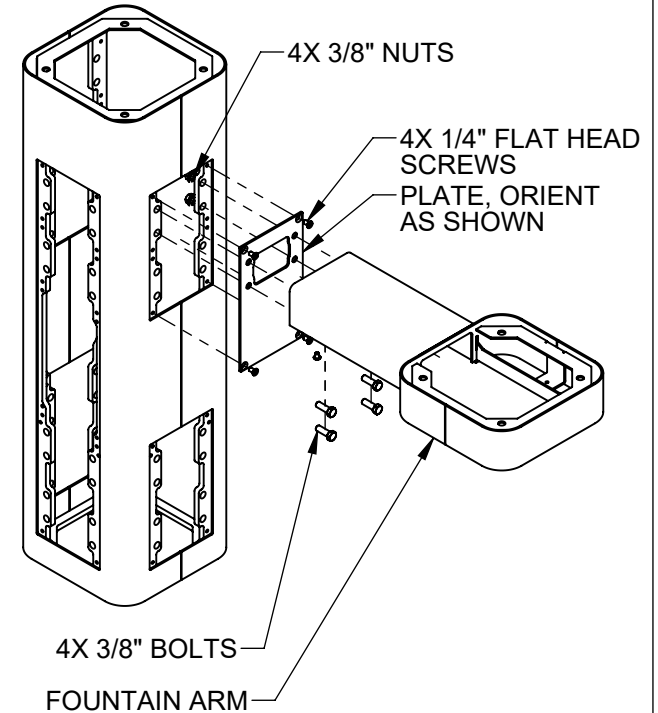
MODEL MTG.3600

(OPTIONAL)
TEMPLATE FOR
SPACING ANCHORS
DURING CONCRETE
POUR



STEP 1

MOUNT PEDESTAL TO CONCRETE SLAB IN DESIRED ORIENTATION. SLAB TO BE 30" MINIMUM SQUARE AND 6" MINIMUM THICK (BY OTHERS). PLUMBING CAST IN CONCRETE MUST FIT IN 7" DIAMETER AREA CENTERED UNDER PEDESTAL LOCATION.

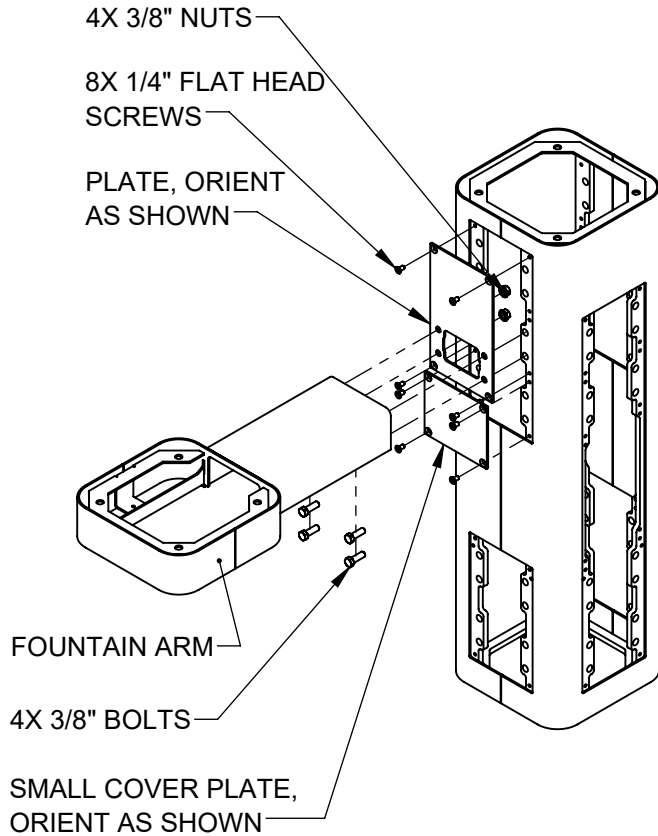


STEP 2

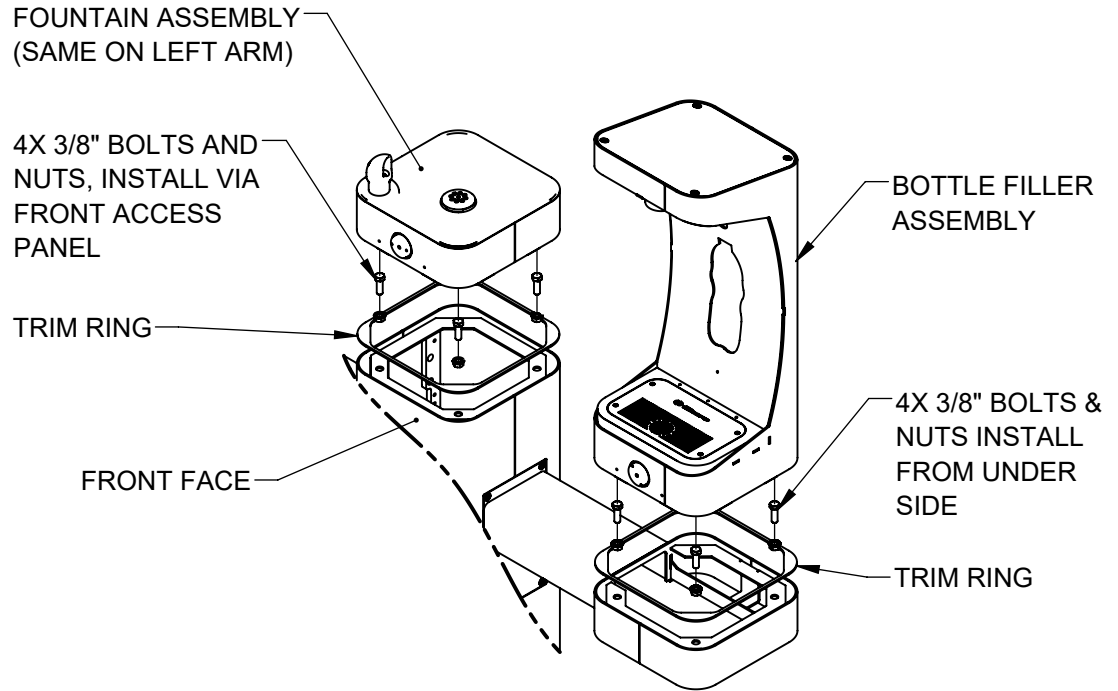
REMOVE BOTTOM COVER PLATES FROM ARMS BY REMOVING 3 1/4" BUTTON HEAD SCREWS. INSTALL ONE ARM ON RIGHT SIDE AS SHOWN. USE 1/4" FLAT HEAD SCREWS (SUPPLIED) TO INSTALL PLATE. USE 3/8" BOLTS AND NUTS (SUPPLIED) AND TORQUE TO 18 FT-LBS TO INSTALL ARM.

| | | | |
|-------------|--|---|---|
| | | 1455 KLEPPE LANE SPARKS, NEVADA 89431 (775) 359-4712 FAX (775) 359-7424 E-MAIL: HAWS@HAWSO.COM WEBSITE: WWW.HAWSO.COM | |
| | | ECN: 5804 REV. ECN: 5804 DRAWN: DHP APPROVED: DHP | BY: JU DATE: 6/11/20 CHKD: JU DATE: 06/06/22 |
| SCALE: 1:12 | | DRAWING TYPE: INSTALLATION | |
| SIZE: A | | SHEET 2 OF 7 | |

INSTALLATION INSTRUCTIONS



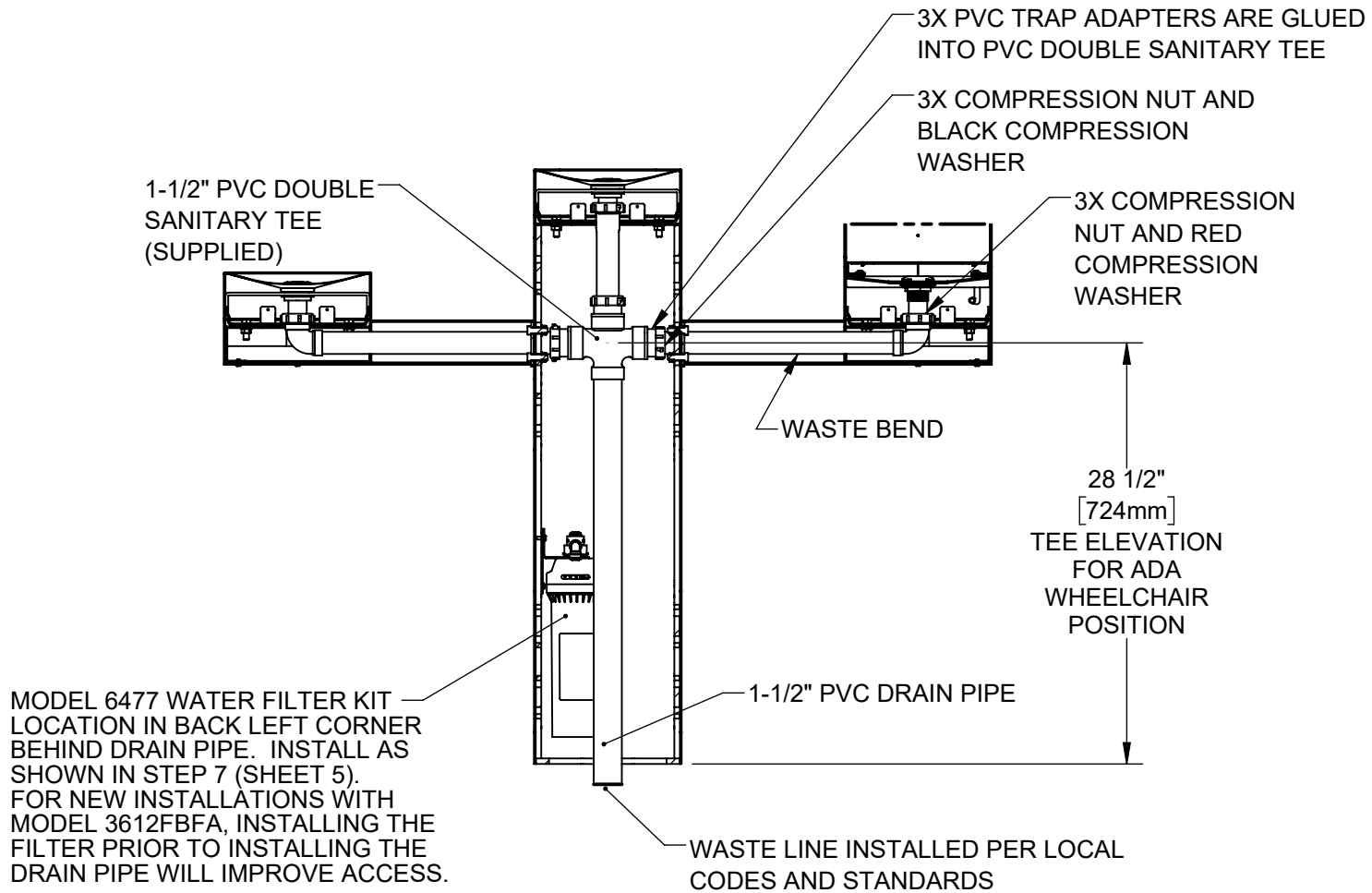
STEP 3
 INSTALL REMAINING ARM ON LEFT SIDE AS SHOWN. USE 1/4" FLAT HEAD SCREWS (SUPPLIED) TO INSTALL PLATES. USE 3/8" BOLTS AND NUTS (SUPPLIED) AND TORQUE TO 18 FT-LBS TO INSTALL ARM.



STEP 4
 PLACE SQUARE TRIM RING ON BOTTOM OF BOTTLE FILLER AND PLACE BOTTLE FILLER ON TOP OF EITHER ARM, FACING THE FRONT. USE 3/8" BOLTS AND NUTS TO SECURE BOTTLE FILLER TO THE ARM. PLACE TRIM RING AND INSTALL FOUNTAIN ON PEDESTAL VIA THE FRONT ACCESS PANEL. PLACE TRIM RING AND INSTALL SECOND FOUNTAIN ON REMAINING ARM. CAREFULLY CENTER BOTTLE FILLER, FOUNTAINS, AND TRIM RINGS, THEN TORQUE BOLTS/NUTS TO 18 FT-LBS

| | | | |
|---|--|---|---|
|  | | 1455 KLEPPE LANE SPARKS, NEVADA 89431 (775) 359-4712 FAX (775) 359-7424 E-MAIL: HAWS@HAWSO.COM WEBSITE: WWW.HAWSO.COM | |
| | | ECN: 5804 DRAWN: DHP APPROVED: DHP | REV. ECN: 5804 DATE: 6/11/20 DATE: 06/06/22 |
| PART NUMBER 0510002056.D | | | REVISION 1 |
| SCALE: 1:12 DRAWING TYPE: INSTALLATION SIZE: A | | SHEET 3 OF 7 | |

INSTALLATION INSTRUCTIONS



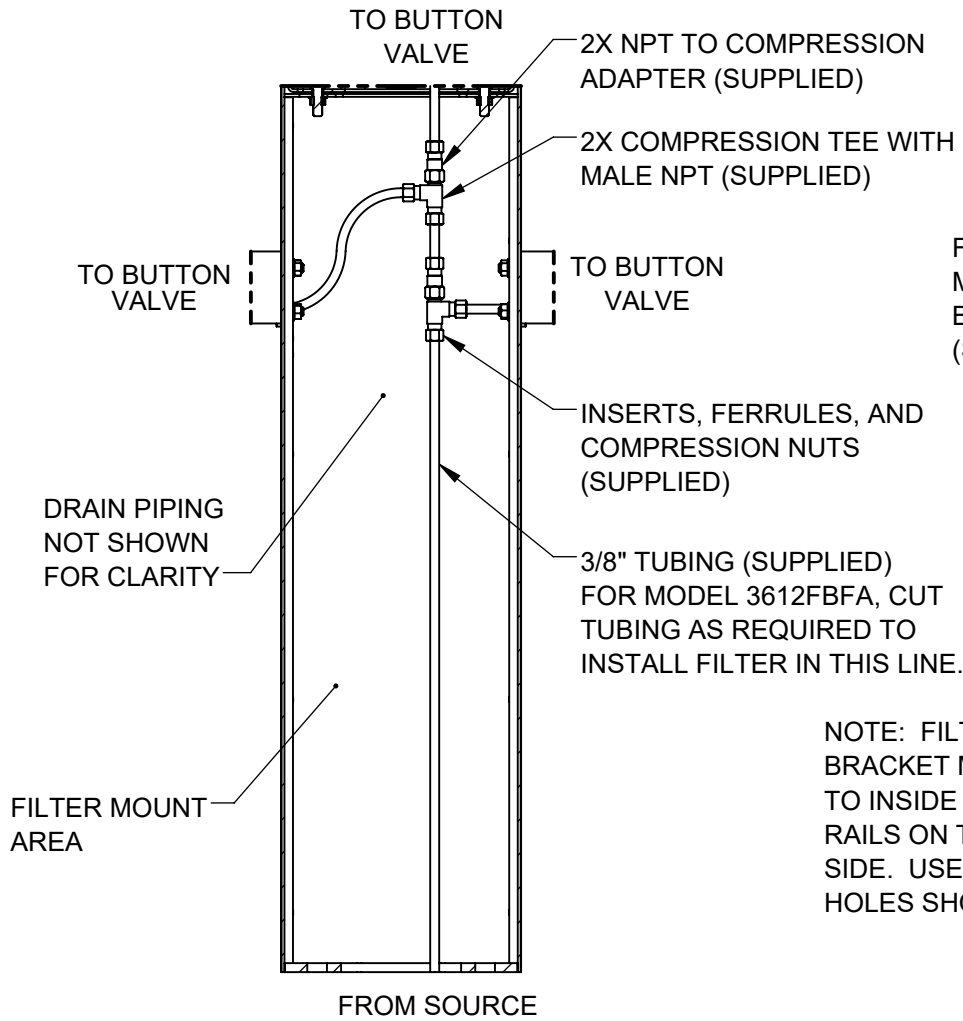
MODEL 3612FBFA (WITH FILTER) SHOWN

STEP 5

INSTALL SUPPLIED DRAIN COMPONENTS AS SHOWN. RED COMPRESSION WASHERS ADAPT FROM 1-1/4" TO 1-1/2" AT EACH DRAIN TAIL PIECE. BLACK COMPRESSION WASHERS ARE USED IN TRAP ADAPTERS AT TEE(S). USE APPROPRIATE PVC CEMENT TO MAKE SOLVENT CEMENT CONNECTIONS. TRIM WASTE BEND AND/OR TAIL PIECE LENGTH IF REQUIRED. NOTE THAT EXTRA PARTS MAY BE INCLUDED TO FACILITATE OTHER CONFIGURATIONS OF THIS FOUNTAIN.

| | | | | |
|---|--|----------------------------|---|---|
|  | | | 1455 KLEPPE LANE SPARKS, NEVADA 89431 (775) 359-4712 FAX (775) 359-7424 E-MAIL: HAWS@HAWS.CO.COM WEBSITE: WWW.HAWS.CO.COM | |
| | | | ECN: 5804 DRAWN: DHP APPROVED: DHP | REV. ECN: 5804 DATE: 6/11/20 DATE: 06/06/22 |
| SCALE: 1:12 | | DRAWING TYPE: INSTALLATION | | SIZE: A SHEET 4 OF 7 |

INSTALLATION INSTRUCTIONS

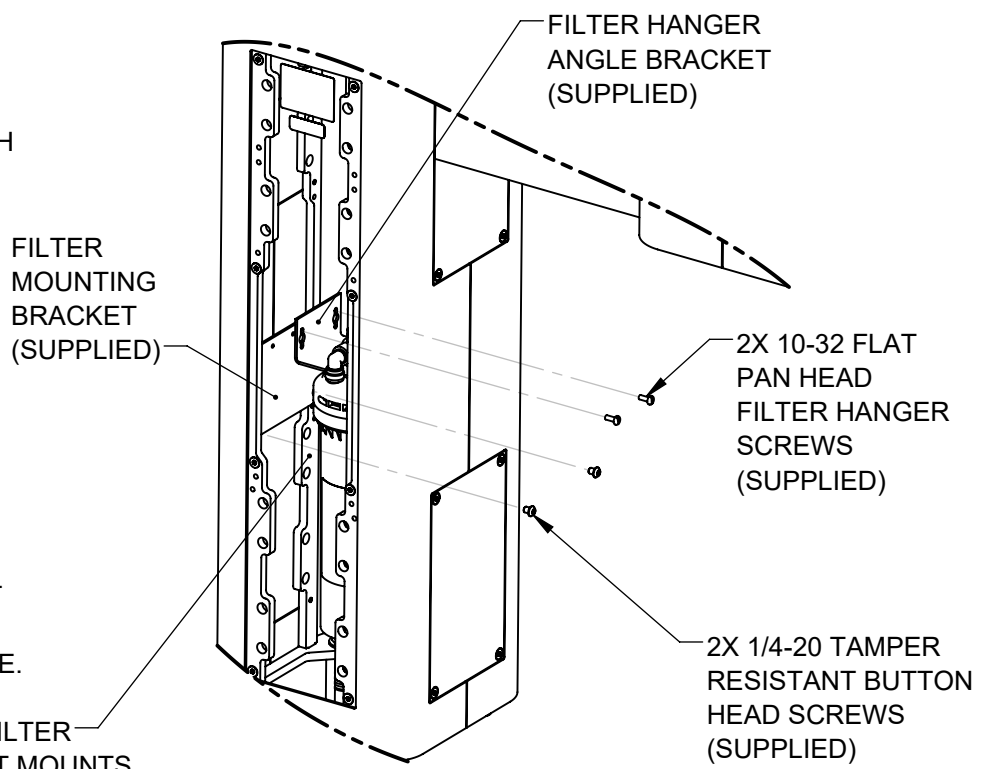


3612BFA SUPPLY PLUMBING

FROM SOURCE

STEP 6

COMPLETE WATER SUPPLY PLUMBING AS SHOWN. OPEN SUPPLY VALVE(S) AND TEST. REPLACE ARM BOTTOM PLATES AND PEDESTAL ACCESS PLATES.



3612FBFA FILTER BRACKET MOUNTING

STEP 7

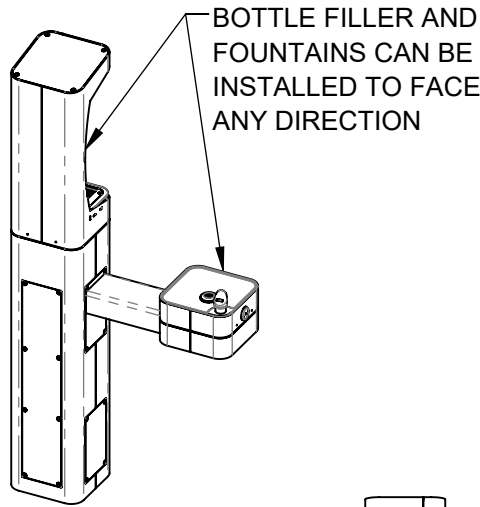
INSTALL FILTER MOUNTING BRACKET (SUPPLIED WITH MODEL 6477) TO LEFT INSIDE VERTICAL RAILS USING 2 BUTTON HEAD SCREWS AS INDICATED ABOVE. INSTALL FILTER HEAD ON HANGER ANGLE WITH 4 SUPPLIED SELF-TAPPING SCREWS. INSTALL FILTER HANGER ANGLE BRACKET IN RIGHTMOST HOLES AS SHOWN. SEE MODEL 6477 OPERATION AND MAINTENANCE MANUAL FOR ADDITIONAL DETAILS.

NOTE: FILTER BRACKET MOUNTS TO INSIDE OF THESE RAILS ON THE LEFT SIDE. USE THREADED HOLES SHOWN.

| | | | |
|------------|--|---|---|
| | | 1455 KLEPPE LANE SPARKS, NEVADA 89431 (775) 359-4712 FAX (775) 359-7424 E-MAIL: HAWS@HAWSCO.COM WEBSITE: WWW.HAWSCO.COM | |
| | | ECN: 5804 REV. ECN: 5804 DRAWN: DHP APPROVED: DHP | BY: JU DATE: 6/11/20 CHKD: JU DATE: 06/06/22 |
| SCALE: 1:8 | | DRAWING TYPE: INSTALLATION | |
| SIZE: A | | SHEET 5 OF 7 | |

NOTES ON OPTIONAL CONFIGURATIONS

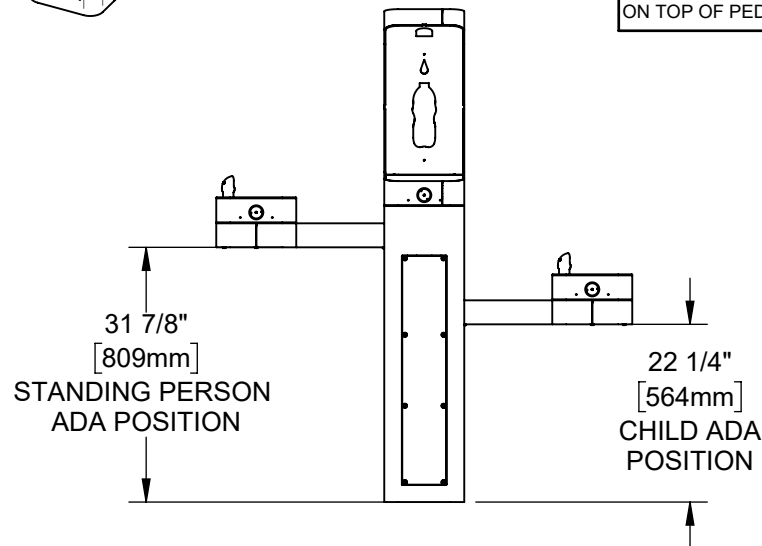
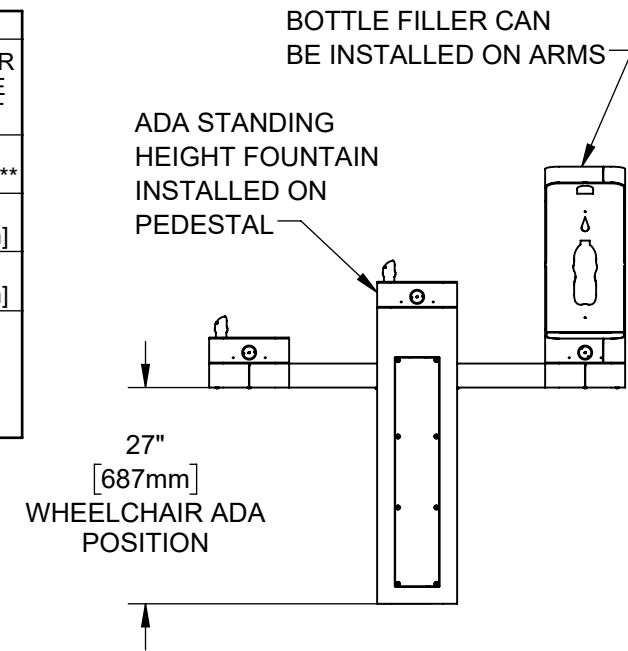
HAWS 3600/3600F SERIES OUTDOOR FOUNTAINS ARE MODULAR AND CAN BE ASSEMBLED AND CONFIGURED MANY DIFFERENT WAYS. DISPLAYED HERE ARE A FEW EXAMPLES. CONFIGURATIONS OTHER THAN THAT SHOWN IN THE INSTALLATION INSTRUCTIONS FOR THE 3612BFA/3612FBFA MAY AFFECT COMPLIANCE WITH ADA REGULATIONS. IT IS THE RESPONSIBILITY OF THE INSTALLER TO UNDERSTAND LOCAL, STATE, AND FEDERAL REGULATIONS AS APPLICABLE IF INSTALLING THIS FOUNTAIN IN CONFIGURATIONS OTHER THAN THAT INDICATED ON SHEET 1 (PAGE 6 OF 12).



| ADA ARM HEIGHT POSITION OPTIONS | | | | |
|---------------------------------|------------|-------------|-------------------------|-----------------------|
| | LEFT SIDE* | RIGHT SIDE* | ARM HEIGHT (LOWER EDGE) | BUBBLER NOZZLE HEIGHT |
| STANDING ADA | YES (STD) | NO | 31-7/8 [809 mm] | 39-3/8 [999 mm]** |
| WHEELCHAIR ADA | YES | YES (STD) | 27 [687 mm] | 34-5/8 [878 mm] |
| CHILD ADA | YES | YES | 22-1/4 [566 mm] | 29-7/8 [757 mm] |

* RIGHT AND LEFT CAN BE REVERSED IF PEDESTAL IS ROTATED 180°.

**NOZZLE HEIGHT IS 41-1/2" WHEN FOUNTAIN IS INSTALLED ON TOP OF PEDESTAL.



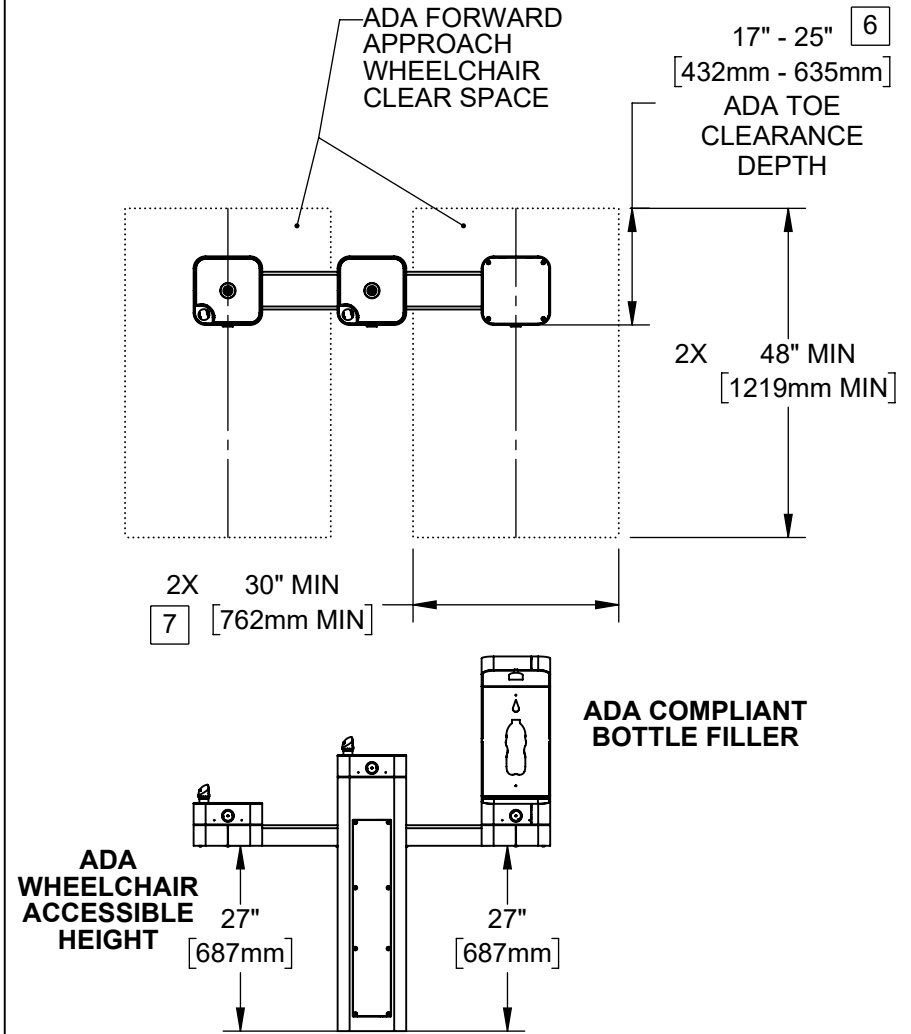
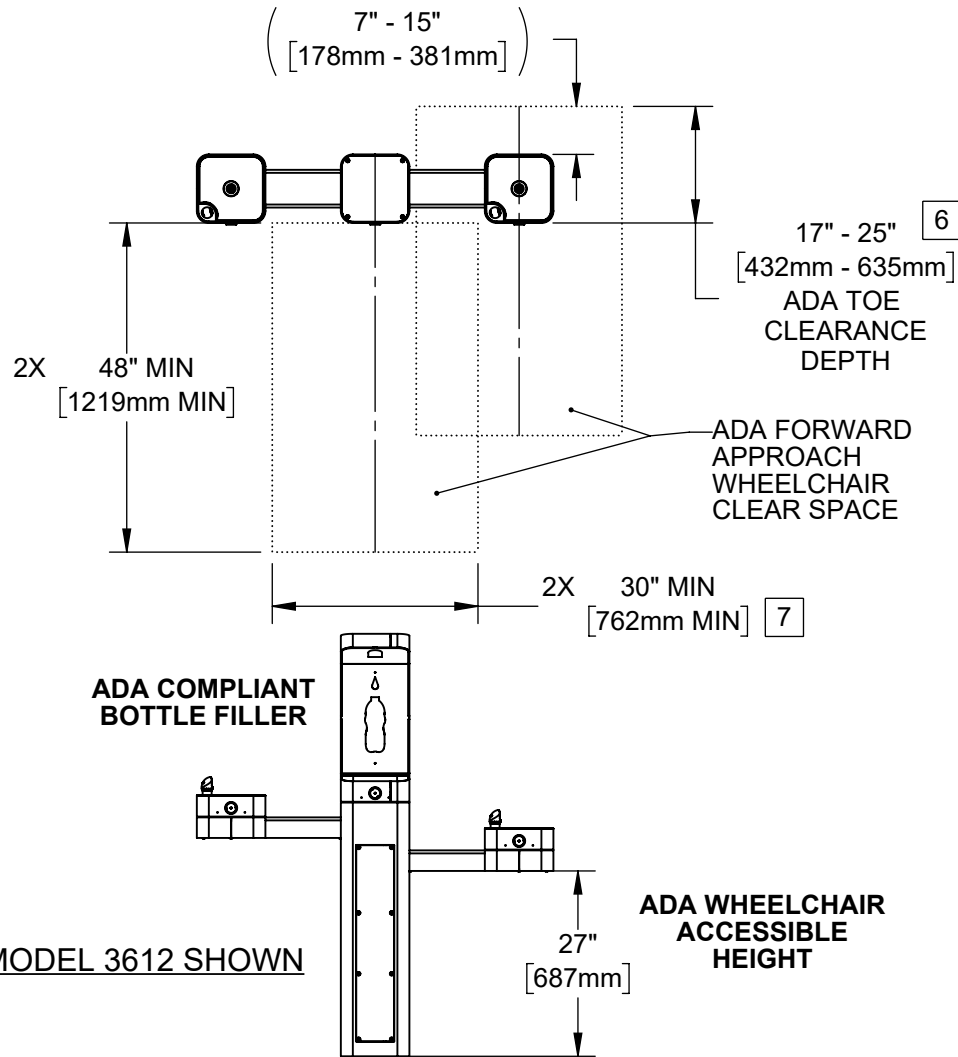
1455 KLEPPE LANE
SPARKS, NEVADA 89431
(775) 359-4712 FAX (775) 359-7424
E-MAIL: HAWS@HAWSO.COM
WEBSITE: WWW.HAWSO.COM

| | | | | |
|------------------|-------------------|----------------|--------------------------------|-----------------------------|
| ECN: 5804 | REV. ECN: 5804 | BY: JU | MODEL(S) 3612BFA & 3612FBFA | PART NUMBER 0510002056.D |
| DRAWN: DHP | DATE: 6/11/20 | CHKD: JU | | REVISION 1 |
| APPROVED: DHP | DATE: 06/06/22 | SCALE: 1:24 | DRAWING TYPE: INSTALLATION | SIZE: A |

SHEET 6 OF 7

NOTES:

4. CLEAR FLOOR SPACES APPLY FOR ALL MODELS WITH A DRINKING FOUNTAIN OR BOTTLE FILLER INSTALLED AT ADA WHEELCHAIR ACCESSIBLE HEIGHT AND PEDESTAL MOUNTED BOTTLE FILLERS.
5. ORIENTATION OF CLEAR FLOOR SPACE IS DEPENDENT ON THE FOUNTAIN OR BOTTLE FILLER ORIENTATION.
6. SOME CALIFORNIA JURISDICTIONS MAY REQUIRE 18" MIN.
7. SOME CALIFORNIA JURISDICTIONS MAY REQUIRE 32" MIN.
8. REFER TO ADA STANDARDS AND/OR YOUR LOCAL BUILDING CODE FOR CLEAR SPACE GUIDELINES FOR PARALLEL APPROACH.



MODEL 3612 ALTERNATE CONFIGURATION SHOWN

THESE HAWS MODELS ARE FULLY COMPLIANT WITH THE FEDERAL 2010 AMERICANS WITH DISABILITIES ACT (ADA) ACCESSIBILITY REQUIREMENTS WHEN INSTALLED AS SHOWN HERE AND WHEN INSTALLED WITH PROPER CLEARANCES AND ACCESS. IT IS THE RESPONSIBILITY OF THE INSTALLER TO ADHERE TO LOCAL, STATE, AND FEDERAL CODES WHEN INSTALLING THIS UNIT. DISTANCE TO SURROUNDING OBJECTS, APPROACH SURFACES, ETC. SHOULD BE CONSIDERED.



1455 KLEPPE LANE
SPARKS, NEVADA 89431
(775) 359-4712 FAX (775) 359-7424
E-MAIL: HAWS@HAWS.CO.COM
WEBSITE: WWW.HAWS.CO.COM

| | | | | |
|---------------|----------------|-------------|----------------------------|--------------|
| ECN: 5804 | REV. ECN: 5804 | BY: JU | MODEL(S) | PART NUMBER |
| DRAWN: DHP | DATE: 6/11/20 | CHKD: JU | 3612BFA & 3612FBFA | 0510002056.D |
| APPROVED: DHP | DATE: 06/06/22 | SCALE: 1:28 | DRAWING TYPE: INSTALLATION | REVISION 1 |
| | | | SIZE: A | SHEET 7 OF 7 |