



INSTALLATION, OPERATION & MAINTENANCE INSTRUCTIONS

1455 Kleppe Lane ♦ Sparks, NV 89431-6467 ♦ (775) 359-4712 ♦ Fax (775) 359-7424
E-mail: haws@hawsco.com ♦ website: www.hawsco.com

No. 0510000762 (5)

MODEL 3603FR Outdoor Triple Drinking Fountain

NOTE TO INSTALLER: Please leave this information with the Maintenance Department.

LIMITED WARRANTY

HAWS warrants that all of its products are guaranteed against defective material or poor workmanship for a period of **one year from the date of shipment**. The foregoing notwithstanding, *HAWS* warrants certain specific products or components thereof for an adjusted period. A list of these excepted products and components and a description of their respective warranty terms may be found here: www.hawsco.com/warranty. *HAWS'* liability under this warranty shall be discharged by furnishing without charge F.O.B. *HAWS* factory any goods, or part thereof, which shall appear to the Company upon inspection to be of defective material or not of first-class workmanship, provided that a claim is made in writing to Company within a reasonable period after receipt of the product. Where claims for defects are made, the defective part or parts shall be delivered to the Company, prepaid, for inspection. *HAWS* shall not be liable for the cost of repairs, alterations or replacements, or the labor required to implement them, or for any expense connected therewith made by the owner or owner's agents, except upon written authority from *HAWS*. *HAWS* shall not be liable for any damages caused by defective materials or poor workmanship, except for replacements, as provided above. Buyer agrees that *HAWS* has made no other warranties either express or implied in addition to those above stated, except that of title with respect to any of the products or equipment sold hereunder and that *HAWS* shall not be liable for general, special, incidental, or consequential damages claimed to arise under the contract of sale.

Equipment manufactured by *HAWS* is warranted to function if installation and maintenance instructions provided are adhered to. The units also must be used for the purpose for which they were intended. Any *HAWS* emergency equipment is intended to supplement first-aid treatment. Due to widely varying conditions, *HAWS* cannot guarantee that the use of this emergency equipment will prevent serious injury or the aggravation of existing or prior injuries.

EXCEPT AS EXPRESSLY STATED HEREIN, HAWS HEREBY DISCLAIMS ALL WARRANTIES, WHETHER EXPRESS OR IMPLIED, ARISING BY LAW OR OTHERWISE, INCLUDING WITHOUT LIMITATION, ANY IMPLIED WARRANTIES OF MERCHANTABILITY AND FITNESS FOR A PARTICULAR PURPOSE. THIS WARRANTY MAY NOT BE MODIFIED OR EXTENDED WITHOUT THE WRITTEN CONSENT OF HAWS. REMEDIES AND REPLACEMENTS STATED HEREIN ARE EXCLUSIVE. IN NO EVENT SHALL HAWS BE LIABLE FOR ANY SPECIAL, PUNITIVE, CONSEQUENTIAL OR INCIDENTAL DAMAGES TO ANY PERSON INCLUDING BUT NOT LIMITED TO DAMAGES FOR LOSS OF USE OR PROFITS, SUBSTITUTE PRODUCTS OR COSTS, PROPERTY DAMAGE, OR OTHER MONETARY LOSS.

SHOULD YOU EXPERIENCE DIFFICULTY WITH THE INSTALLATION OF THIS MODEL PLEASE CALL:

TECHNICAL SUPPORT: 1-800-766-5612
FOR CUSTOMER SERVICE: 1-888-640-4297

RECOMMENDED TOOLS:

- Measuring Tape
- PVC Pipe Cutter
- Plastic Tubing Cutter
- PVC Solvent Weld Glue
- ¼" Bit-Holding Screwdriver
- Level
- 10" Pipe Wrench
- Adjustable Plier
- 1/8 and 5/32 Tamper Resistant Hex Bits (Supplied)
- 9/16" and 5/8" Box/Open Combination Wrenches, 8" Max Length
- 3/8" Socket Wrench/Ratchet, 8" Max Length
- 9/16" Deep Socket
- 15/16" Socket

LOCATION OF UNIT: The Model 3603FR Drinking Fountain can be installed and assembled to be ADA accessible by first locating the pedestal base on a hardscape with dimensions that comply with your local, state, and federal codes regarding clear floor space and pedestrian protection area. Refer to the last page of this document for more information. When the right pedestal arm is installed in the high orientation, the height dimensions shown on the model specification sheet meet current Federal Americans with Disabilities Act (ADA) wheelchair requirements. When a fountain is installed on top of the pedestal, the height dimensions shown on the model specification sheet meet current ADA standing height requirements. When installing this unit, local, state and federal (including ADA) codes must be adhered to. If height other than shown is required, then dimensions must be adjusted accordingly.

SUPPLY LINE: The minimum recommended line size is 1/2"IPS with 30-90 psi (2-6 ATM) flowing pressure. Where sediment or mineral content is a problem, an inlet filter is recommended.

PLUMBING CONNECTIONS: Water supply inlet connection is a 3/8"O.D. compression fitting. Waste outlet is 1-1/2" PVC pipe. Plumbing connections vary depending on how the unit is configured during assembly. Please consult the installation drawings below for supply and waste fitting arrangements and assembly for your specific model.

MAINTENANCE: Refer to 6518FR & 6518.2FR Operation and Maintenance Sheet for more information.

INSTALLATION PROCEDURE

Follow the installation procedures outlined in the installation diagrams for your specific model below. Note: 3603FR version must be connected to Haws Models 6518FR & 6518.2FR freeze resistant bury valves, sold separately. See 6518FR & 6518.2FR installation manuals for instructions.

GENERAL NOTES:

1. **For all compression fitting connections, only connect NSF-61 copper or plastic 3/8" outside diameter tubing. The following assembly instructions must be followed to ensure a watertight connection:**
 - a. **Cut tubing square and clean. Deburr if necessary.**
 - b. **Place compression nut and ferrule over end of tubing.**
 - c. **For plastic tubing (must be ¼" inside diameter), insert supplied tubing insert into end of tubing.**
 - d. **Push tube into the fitting until it bottoms out.**

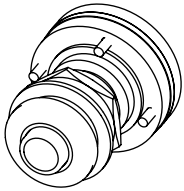
e. Thread nut onto fitting and tighten snugly with 5/8” wrenches.

Tube Sizes	O.D. Tolerance	Insertion Depth
3/8”	±.005”	3/4”

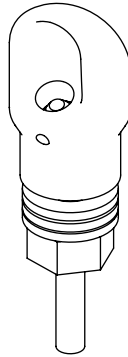
TROUBLESHOOTING	
PROBLEM	REPAIR CHECKLIST
1. Insufficient bubbler flow	1a. Check that inlet screwdriver stop valve is wide open (Not Supplied) b. Verify minimum 30 psi flowing supply pressure. c. Adjust valve to increase flow. See 6518FR or 6518.2FR Manual*.

*For more information about Haws products, see our website: www.hawesco.com

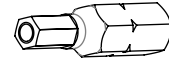
REPLACEMENT PARTS



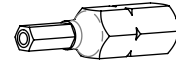
**MODEL 5881PBA
BUTTON ASSEMBLY
(FR MODELS)**



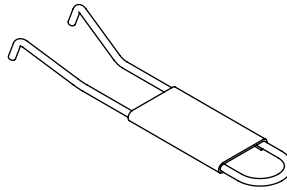
**MODEL 5703M
BUBBLER HEAD**



**0510001030
HEX BIT,
PINNED, 5/32"**

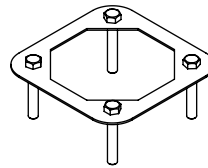


**0510001029
HEX BIT,
PINNED, 1/8"**



**0006983506
SPANNER WRENCH
(NON FR MODELS)**

OPTIONAL ACCESSORIES




**MODEL MTG.3600
INSTALLATION AID**

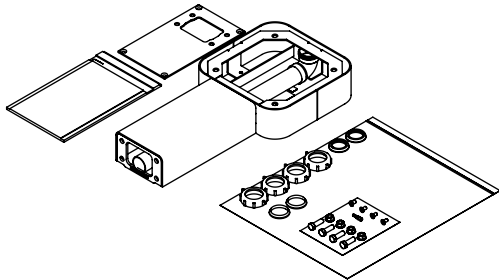
**3603FR
MODULAR OUTDOOR FOUNTAIN SYSTEM**

PARTS BREAKDOWN

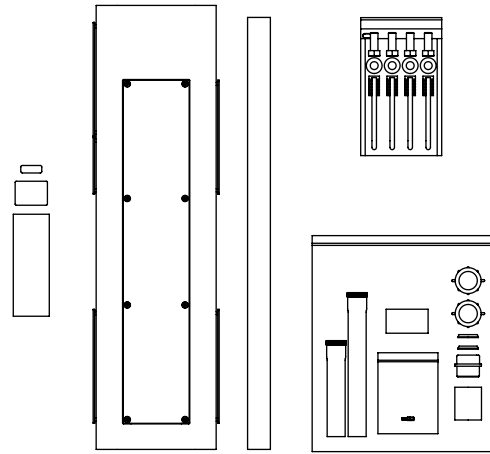
WHEN ORDERING PARTS, PLEASE
SPECIFY PART NUMBER

		1455 KLEPPE LANE SPARKS, NEVADA 89431 (775) 359-4712 FAX (775) 359-7424 E-MAIL: HAWS@HAWSO.COM WEBSITE: WWW.HAWSO.COM	
ECN: 5226	REV. ECN: 5822	BY: CC	MODEL(S) 3603FR
DRAWN: CC	DATE: 09/14/17	CHKD: BJM	PART NUMBER 0510000762
APPROVED: FV	DATE: 07/12/22	SCALE: 1:2	REVISION 5
DRAWING TYPE: PARTS BREAKDOWN		SIZE: A	SHEET 1 OF 2

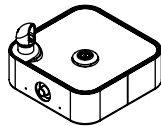
AVAILABLE SUB COMPONENT MODELS



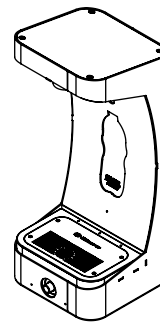
MODEL 3671 PEDESTAL ARM ASSEMBLY



MODEL 3674 PEDESTAL ASSEMBLY



MODEL 3680FR* FOUNTAIN ASSEMBLY



MODEL 3690FR* BOTTLE FILLER ASSEMBLY

**3603FR
MODULAR OUTDOOR
FOUNTAIN SYSTEM**

PARTS BREAKDOWN

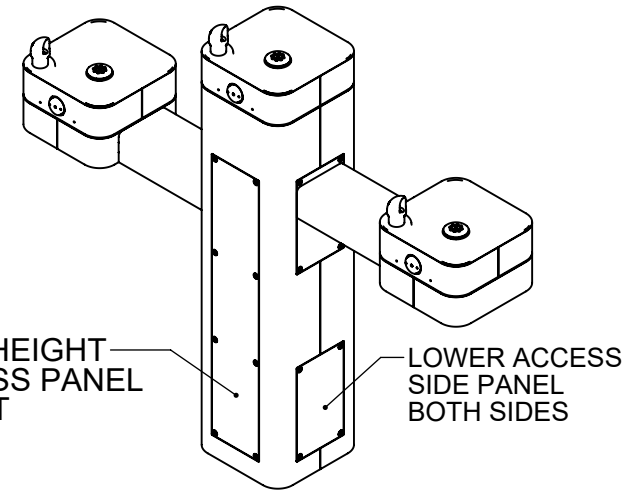
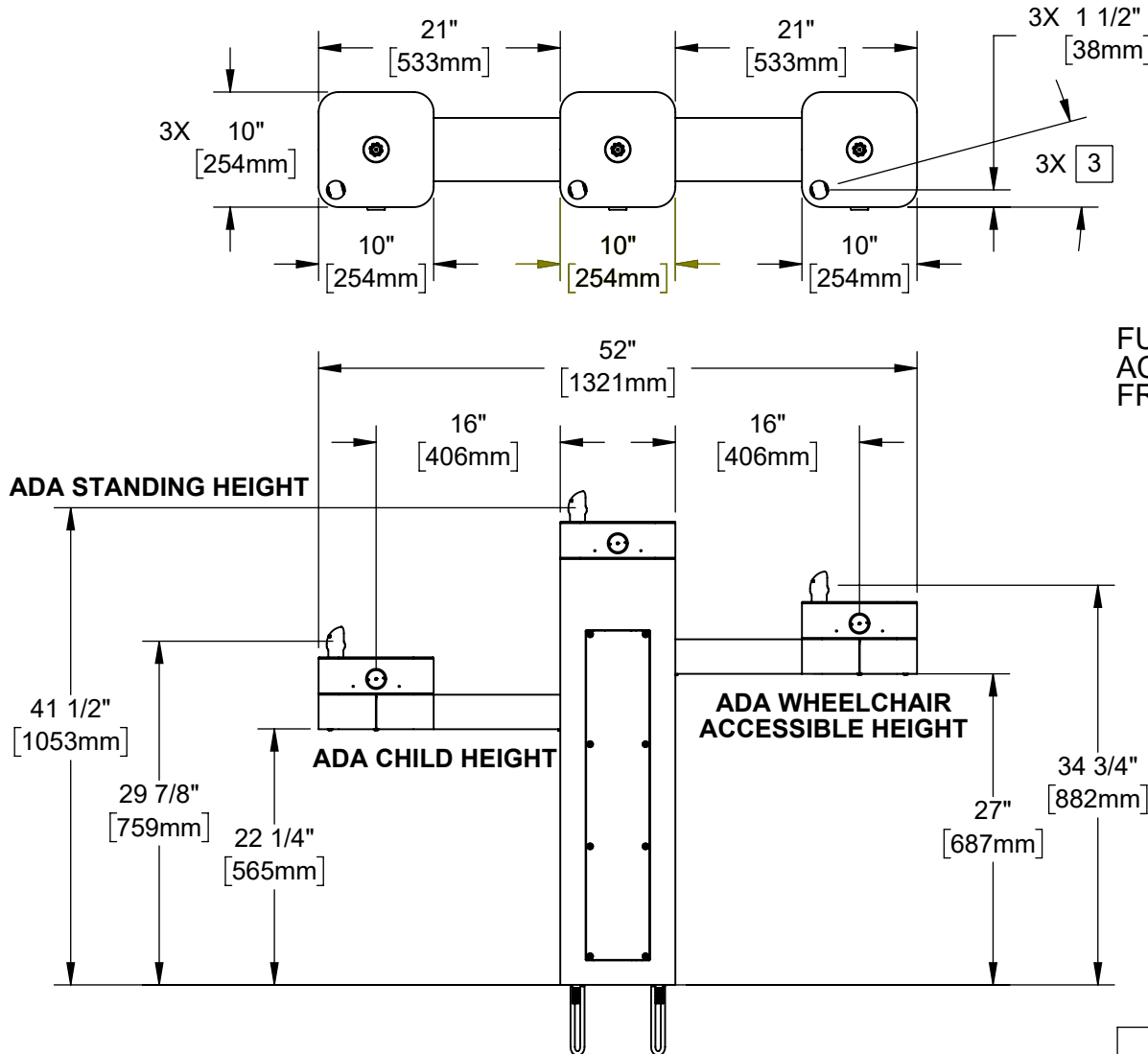
*FR (FREEZE RESISTANT) MODELS REQUIRE THE USE OF SEPARATE FREEZE RESISTANT VALVES (NOT SUPPLIED). SEE INSTALLATION DRAWINGS ON THE FOLLOWING PAGES FOR DETAILS.

WHEN ORDERING PARTS, PLEASE
SPECIFY PART NUMBER

			1455 KLEPPE LANE SPARKS, NEVADA 89431 (775) 359-4712 FAX (775) 359-7424 E-MAIL: HAWS@HAWS.CO.COM WEBSITE: WWW.HAWS.CO.COM	
ECN: 5226	REV. ECN: 5822	BY: CC	MODEL(S)	PART NUMBER
DRAWN: CC	DATE: 09/14/17	CHKD: BJM	3603FR	051000762
APPROVED: FV	DATE: 07/12/22			REVISION 5
SCALE: 1:16			DRAWING TYPE: PARTS BREAKDOWN	SIZE: A SHEET 2 OF 2

NOTES:

1. WHEN INSTALLING THIS UNIT, LOCAL, STATE, OR FEDERAL CODES SHOULD BE ADHERED TO. INSTALL A TRAP IN THE WASTE LINE AND A SCREWDRIVER STOP IN THE SUPPLY LINE IF REQUIRED.
2. ARM HEIGHT CAN BE CONFIGURED AS DESIRED, REFER TO SHEET 7 FOR ALTERNATE CONFIGURATIONS
3. MAXIMUM ADJUSTABLE RANGE IS 15° FROM PARALLEL TO BACK OF WALL.



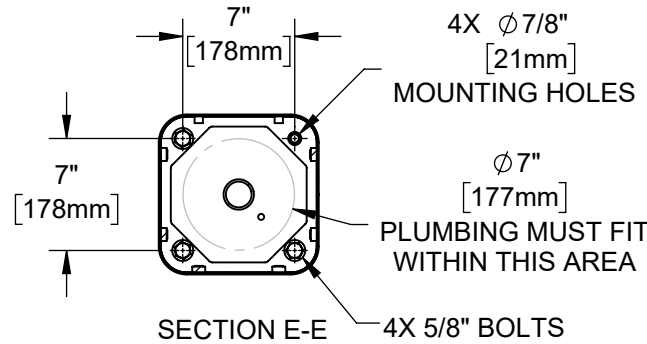
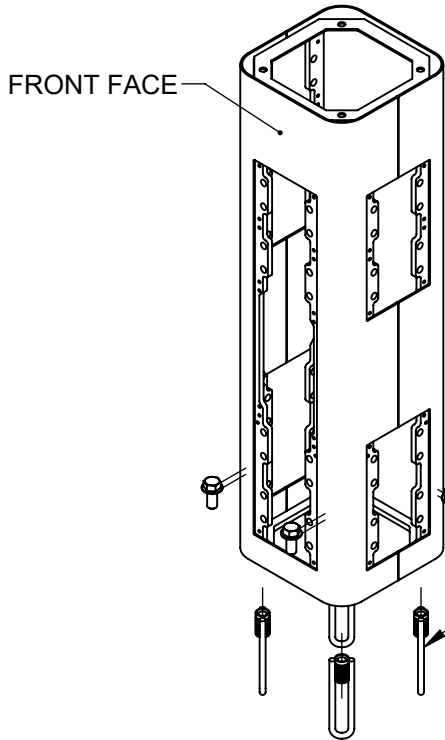
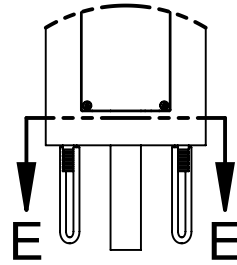
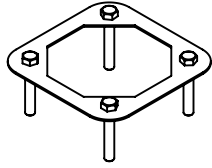
HAWS MODEL 3603FR IS FULLY COMPLIANT WITH THE FEDERAL 2010 AMERICANS WITH DISABILITIES ACT (ADA) ACCESSIBILITY REQUIREMENTS WHEN INSTALLED AS SHOWN HERE AND WHEN INSTALLED WITH PROPER CLEARANCES AND ACCESS. IT IS THE RESPONSIBILITY OF THE INSTALLER TO ADHERE TO LOCAL, STATE, AND FEDERAL CODES WHEN INSTALLING THIS UNIT. DISTANCE TO SURROUNDING OBJECTS, APPROACH SURFACES, ETC. SHOULD BE CONSIDERED. REFER TO SHEET 8 FOR MORE INFORMATION.

CONCRETE ANCHORS INCLUDED.
RE-USABLE TEMPLATE MODEL MTG.3600
AVAILABLE, SOLD SEPARATELY.

		1455 KLEPPE LANE SPARKS, NEVADA 89431 (775) 359-4712 FAX (775) 359-7424 E-MAIL: HAWS@HAWS.CO.COM WEBSITE: WWW.HAWS.CO.COM	
		ECN: 5226 REV. ECN: 5822 DRAWN: DHP APPROVED: FV	BY: JU DATE: 6/11/20 CHKD: BJM DATE: 07/12/22
SCALE: 1:16 DRAWING TYPE: INSTALLATION SIZE: A		SHEET 1 OF 8	

INSTALLATION INSTRUCTIONS

MODEL MTG.3600
(OPTIONAL)
TEMPLATE FOR
SPACING ANCHORS
DURING CONCRETE
POUR



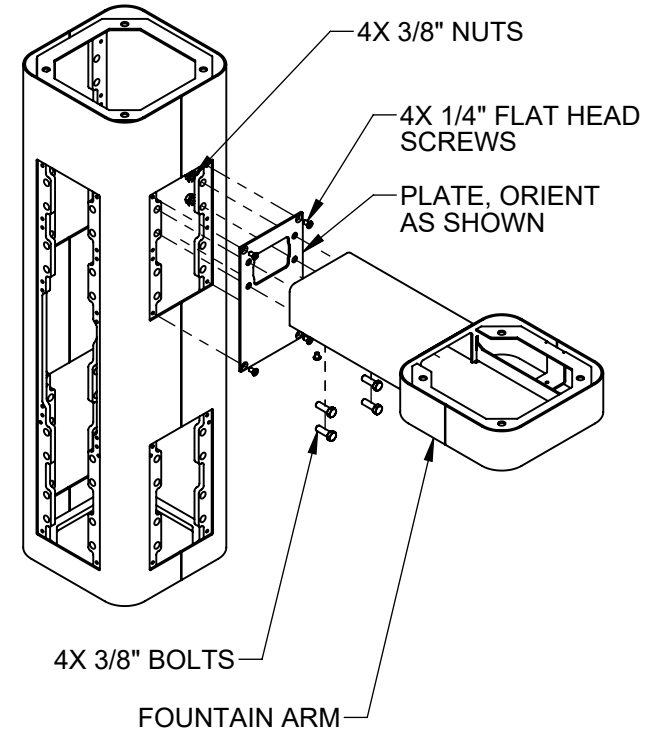
SECTION E-E
4X 5/8" BOLTS AND WASHERS SUPPLIED WITH ANCHORS

4X 5/8" BOLTS AND WASHERS (SUPPLIED)

4X CAST-IN ANCHORS (SUPPLIED). SET AT 7" SQUARE SPACING AND ORIENT AS SHOWN

STEP 1

MOUNT PEDESTAL TO CONCRETE SLAB IN DESIRED ORIENTATION. SLAB TO BE 30" MINIMUM SQUARE AND 6" MINIMUM THICK (BY OTHERS). PLUMBING CAST IN CONCRETE MUST FIT IN 7" DIAMETER AREA CENTERED UNDER PEDESTAL LOCATION. FOR 3603FR MODEL, SEE REQUIRED BURY VALVE (NOT SUPPLIED) INSTALLATION REQUIREMENTS ON SHEET 6.

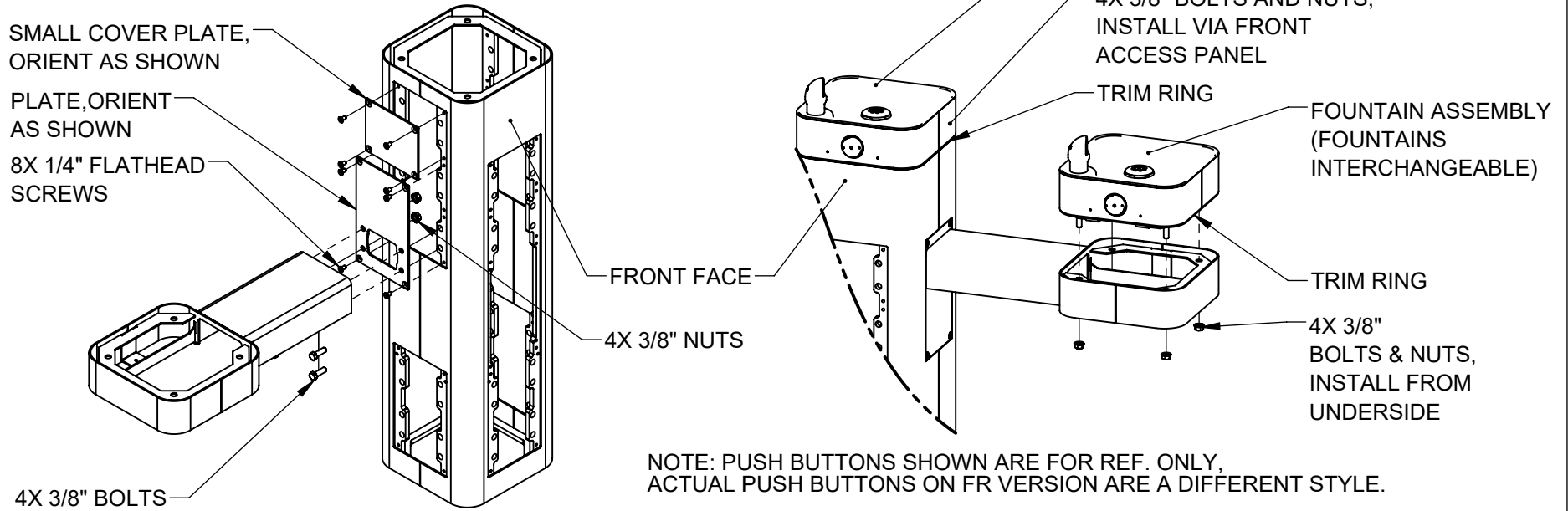


STEP 2

REMOVE BOTTOM COVER PLATES FROM ARMS BY REMOVING 3 1/4" BUTTON HEAD SCREWS. INSTALL ONE FOUNTAIN ARM ON RIGHT SIDE AS SHOWN. USE 1/4" FLAT HEAD SCREWS (SUPPLIED) TO INSTALL PLATE. USE 3/8" BOLTS AND NUTS (SUPPLIED) AND TORQUE TO 18 FT-LBS TO INSTALL ARM.

		1455 KLEPPE LANE SPARKS, NEVADA 89431 (775) 359-4712 FAX (775) 359-7424 E-MAIL: HAWS@HAWSO.COM WEBSITE: WWW.HAWSO.COM	
		ECN: 5226 REV. ECN: 5822 DRAWN: DHP APPROVED: FV	BY: JU DATE: 6/11/20 CHKD: BJM DATE: 07/12/22
SCALE: 1:12 DRAWING TYPE: INSTALLATION SIZE: A		SHEET 2 OF 8	

INSTALLATION INSTRUCTIONS




STEP 3

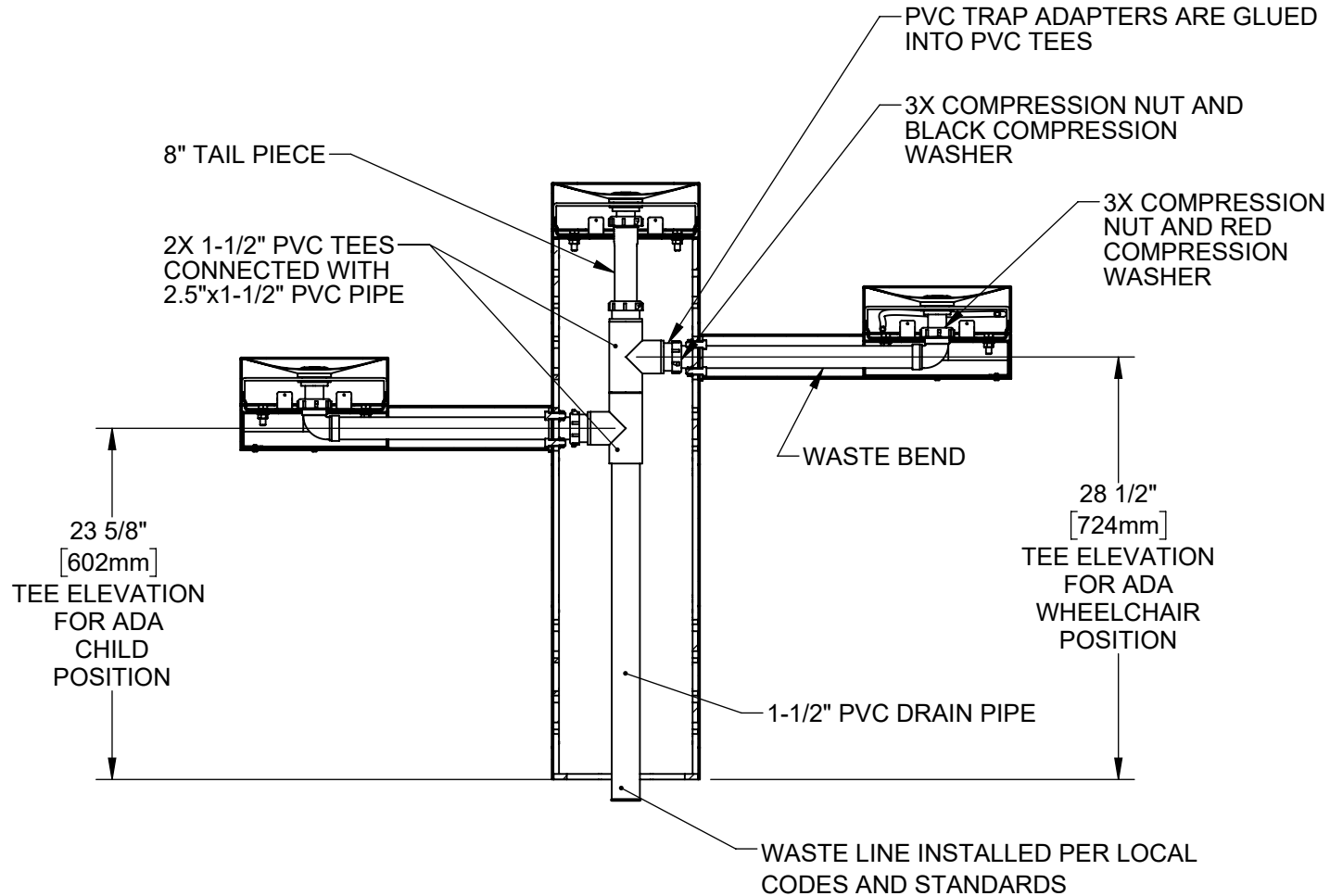
INSTALL REMAINING ARM ON LEFT SIDE AS SHOWN. USE 1/4" FLAT HEAD SCREWS (SUPPLIED) TO INSTALL PLATES. USE 3/8" BOLTS AND NUTS (SUPPLIED) AND TORQUE TO 18 FT-LBS TO INSTALL ARM.

STEP 4

PLACE SQUARE TRIM RING ON TOP OF PEDESTAL AND PLACE ONE FOUNTAIN ASSY. ON TOP OF TRIM RING, FACING THE FRONT. USE 3/8" BOLTS AND NUTS VIA THE FRONT ACCESS PANEL TO SECURE FOUNTAIN ASSY TO PEDESTAL. PLACE TRIM RING AND INSTALL REMAINING FOUNTAIN ASSEMBLIES ON ARM AS SHOWN. CAREFULLY CENTER TRIM RINGS AND TORQUE BOLTS AND NUTS TO 18 FT-LBS


		1455 KLEPPE LANE SPARKS, NEVADA 89431 (775) 359-4712 FAX (775) 359-7424 E-MAIL: HAWS@HAWSO.COM WEBSITE: WWW.HAWSO.COM	
		ECN: 5226 DRAWN: DHP APPROVED: FV	REV. ECN: 5822 DATE: 6/11/20 DATE: 07/12/22
PART NUMBER 0510000762.D			REVISION 5
SCALE: 1:12 DRAWING TYPE: INSTALLATION SIZE: A		SHEET 3 OF 8	

INSTALLATION INSTRUCTIONS

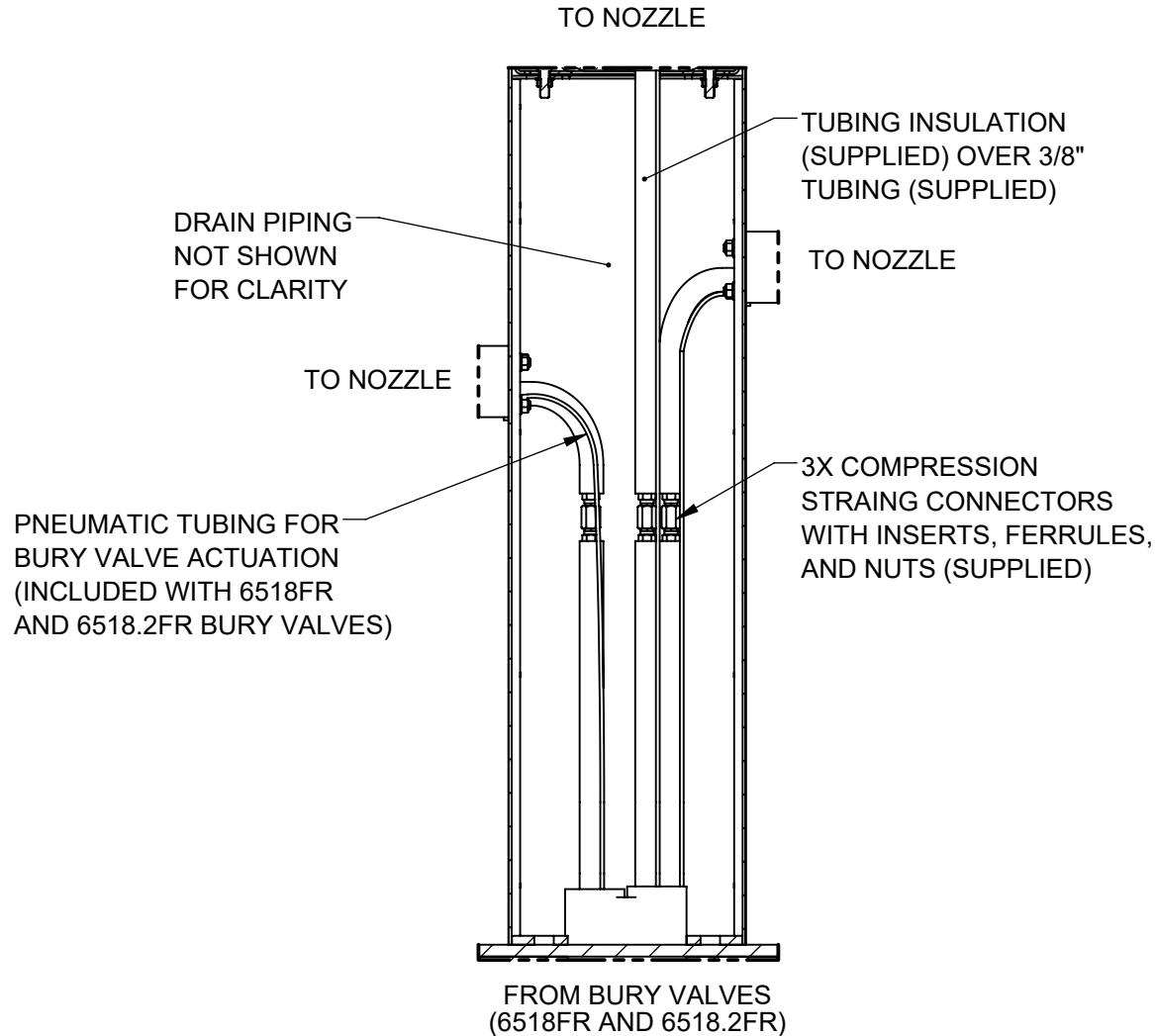


STEP 5

INSTALL SUPPLIED DRAIN COMPONENTS AS SHOWN. RED COMPRESSION WASHERS ADAPT FROM 1-1/4" TO 1-1/2" AT EACH DRAIN TAIL PIECE. BLACK COMPRESSION WASHERS ARE USED IN TRAP ADAPTERS AT TEE. USE APPROPRIATE PVC CEMENT TO MAKE SOLVENT CEMENT CONNECTIONS. TRIM WASTE BEND AND/OR TAIL PIECE LENGTH IF REQUIRED. NOTE THAT EXTRA PARTS MAY BE INCLUDED TO FACILITATE OTHER CONFIGURATIONS OF THIS FOUNTAIN.

		1455 KLEPPE LANE SPARKS, NEVADA 89431 (775) 359-4712 FAX (775) 359-7424 E-MAIL: HAWS@HAWSO.COM WEBSITE: WWW.HAWSO.COM	
		ECN: 5226 DRAWN: DHP APPROVED: FV	REV. ECN: 5822 DATE: 6/11/20 DATE: 07/12/22
PART NUMBER 0510000762.D			REVISION 5
SCALE: 1:12 DRAWING TYPE: INSTALLATION SIZE: A		SHEET 4 OF 8	

INSTALLATION INSTRUCTIONS




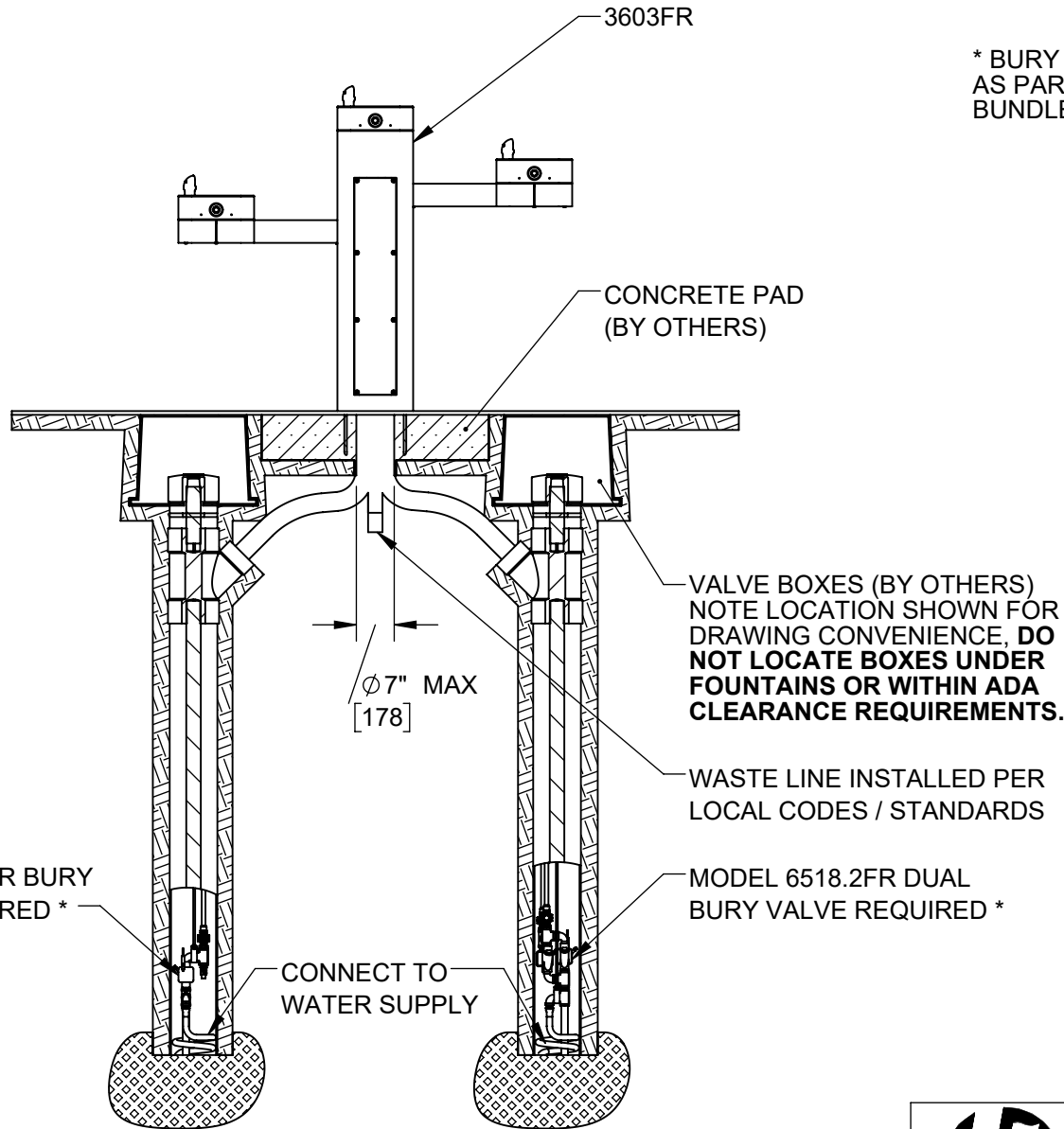
3603FR SUPPLY PLUMBING*

* SEE NEXT SHEET OF THIS DRAWING FOR MORE INFORMATION ON INSTALLING BURY VALVES WITH THIS MODEL. BURY VALVES 6518FR AND 6518.2FR ARE PACKAGED SEPARATELY AS PART OF A FREEZE RESISTANT PRODUCT BUNDLE OR SOLD SEPARATELY

STEP 6

COMPLETE WATER SUPPLY PLUMBING AS SHOWN. OPEN SUPPLY VALVE(S) AND TEST. REPLACE ARM BOTTOM PLATES AND PEDESTAL ACCESS PLATES. BURY VALVES (NOT SUPPLIED) ARE REQUIRED FOR 3603FR INSTALLATION. REFER TO BURY VALVE OPERATION AND MAINTENANCE MANUAL FOR ADDITIONAL INFORMATION


		1455 KLEPPE LANE SPARKS, NEVADA 89431 (775) 359-4712 FAX (775) 359-7424 E-MAIL: HAWS@HAWS.CO.COM WEBSITE: WWW.HAWS.CO.COM	
		ECN: 5226 REV. ECN: 5822 BY: JU MODEL(S): 3603FR	PART NUMBER: 0510000762.D REVISION: 5
DRAWN: DHP DATE: 6/11/20 CHKD: BJM	APPROVED: FV DATE: 07/12/22	SCALE: 1:8 DRAWING TYPE: INSTALLATION	SIZE: A SHEET 5 OF 8



* BURY VALVES ARE PACKAGED SEPARATELY AS PART OF A FREEZE RESISTANT PRODUCT BUNDLE OR SOLD SEPARATELY

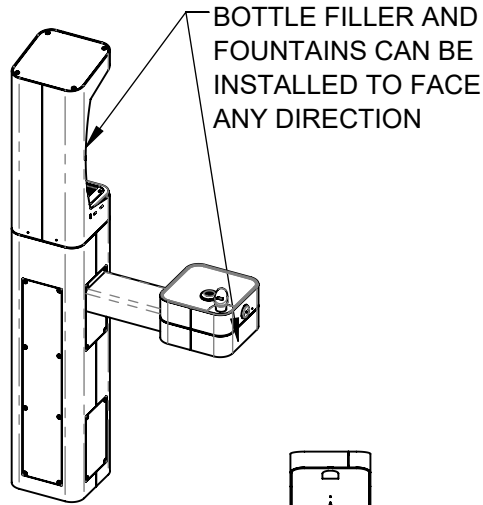
INSTALL BURY VALVES IN ACCORDANCE WITH MANUFACTURER'S INSTRUCTIONS. INSTALLATION MUST COMPLY WITH LOCAL CODES / STANDARDS, INCLUDING ADA CODES IF APPLICABLE.

3603FR GENERAL BURY VALVE LAYOUT (FOR REFERENCE ONLY)

		1455 KLEPPE LANE SPARKS, NEVADA 89431 (775) 359-4712 FAX (775) 359-7424 E-MAIL: HAWS@HAWS.CO.COM WEBSITE: WWW.HAWS.CO.COM	
		ECN: 5226 DRAWN: DHP APPROVED: FV	REV. ECN: 5822 DATE: 6/11/20 DATE: 07/12/22
PART NUMBER 0510000762.D			REVISION 5
SCALE: 1:24 DRAWING TYPE: INSTALLATION		SIZE: A SHEET 6 OF 8	

NOTES ON OPTIONAL CONFIGURATIONS

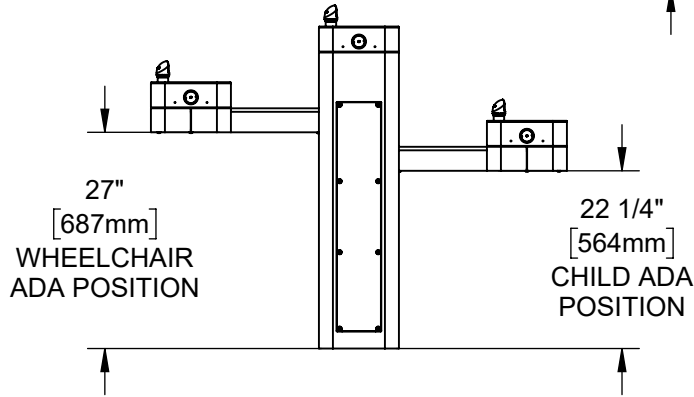
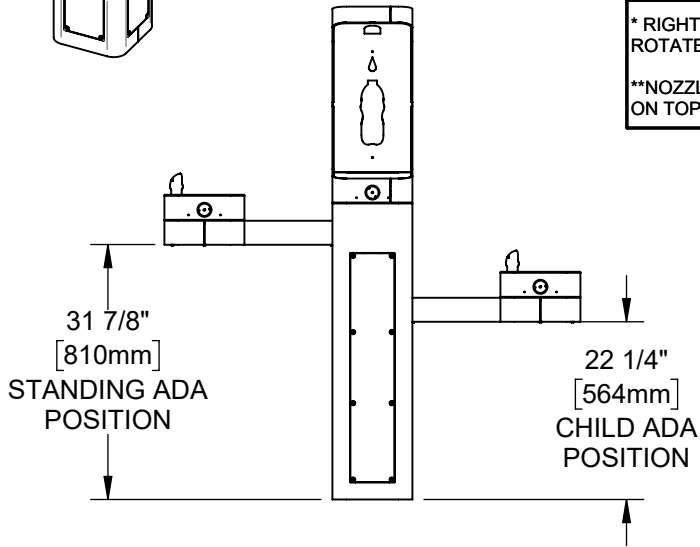
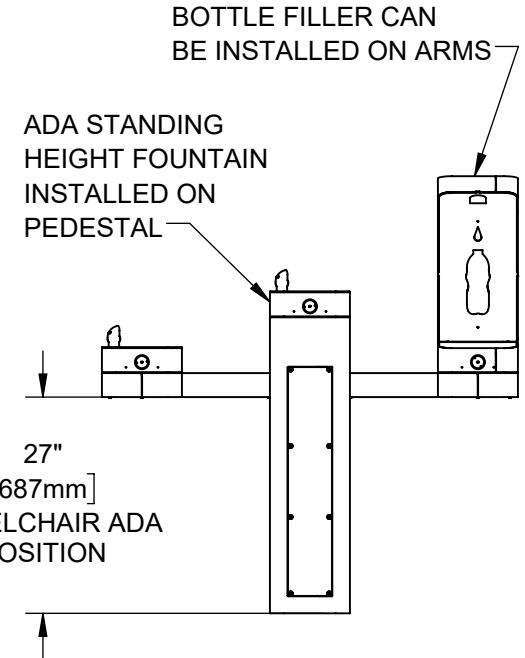
HAWS 3600FR SERIES OUTDOOR FOUNTAINS ARE MODULAR AND CAN BE ASSEMBLED AND CONFIGURED MANY DIFFERENT WAYS. DISPLAYED HERE ARE A FEW EXAMPLES. CONFIGURATIONS OTHER THAN THAT SHOWN IN THE INSTALLATION INSTRUCTIONS FOR THE 3603FR MAY AFFECT COMPLIANCE WITH ADA REGULATIONS. IT IS THE RESPONSIBILITY OF THE INSTALLER TO UNDERSTAND LOCAL, STATE, AND FEDERAL REGULATIONS AS APPLICABLE IF INSTALLING THIS FOUNTAIN IN CONFIGURATIONS OTHER THAN THAT INDICATED ON SHEET 1 (PAGE 6 OF 13).




ADA ARM HEIGHT POSITION OPTIONS				
	LEFT SIDE*	RIGHT SIDE*	ARM HEIGHT (LOWER EDGE)	BUBBLER NOZZLE HEIGHT
STANDING ADA	YES (STD)	NO	31-7/8 [809 mm]	39-3/8 [999 mm]**
WHEELCHAIR ADA	YES	YES (STD)	27 [687 mm]	34-5/8 [878 mm]
CHILD ADA	YES	YES	22-1/4 [566 mm]	29-7/8 [757 mm]

* RIGHT AND LEFT CAN BE REVERSED IF PEDESTAL IS ROTATED 180°.

**NOZZLE HEIGHT IS 41-1/2" WHEN FOUNTAIN IS INSTALLED ON TOP OF PEDESTAL.





1455 KLEPPE LANE
SPARKS, NEVADA 89431
(775) 359-4712 FAX (775) 359-7424
E-MAIL: HAWS@HAWSCO.COM
WEBSITE: WWW.HAWSCO.COM

ECN: 5226	REV. ECN: 5822	BY: JU	MODEL(S): 3603FR	PART NUMBER: 0510000762.D
DRAWN: DHP	DATE: 6/11/20	CHKD: BJM		REVISION: 5
APPROVED: FV	DATE: 07/12/22	SCALE: 1:24	DRAWING TYPE: INSTALLATION	SHEET 7 OF 8

NOTES:

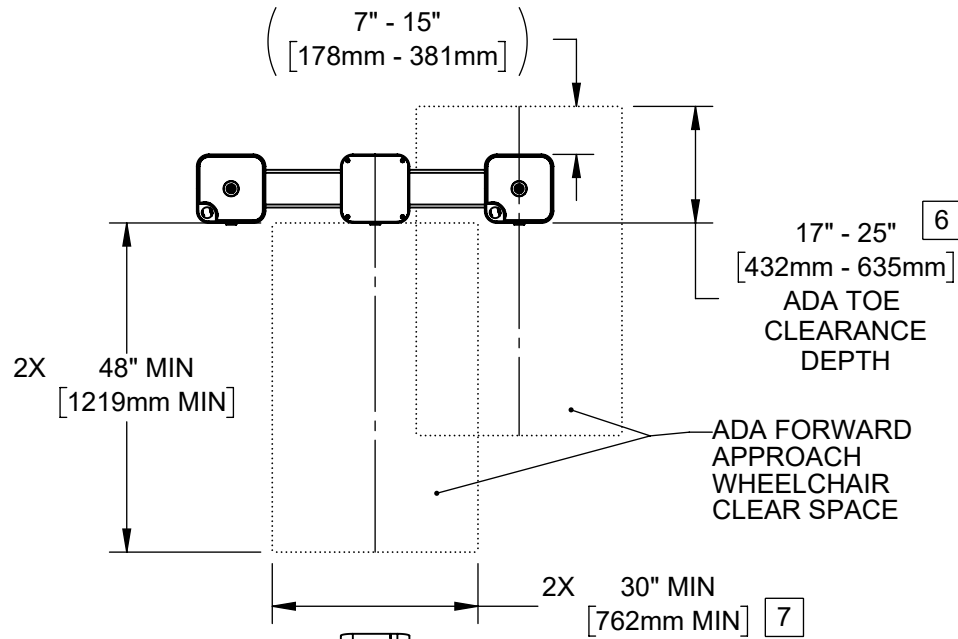
4. CLEAR FLOOR SPACES APPLY FOR ALL MODELS WITH A DRINKING FOUNTAIN OR BOTTLE FILLER INSTALLED AT ADA WHEELCHAIR ACCESSIBLE HEIGHT AND PEDESTAL MOUNTED BOTTLE FILLERS.

5. ORIENTATION OF CLEAR FLOOR SPACE IS DEPENDENT ON THE FOUNTAIN OR BOTTLE FILLER ORIENTATION.

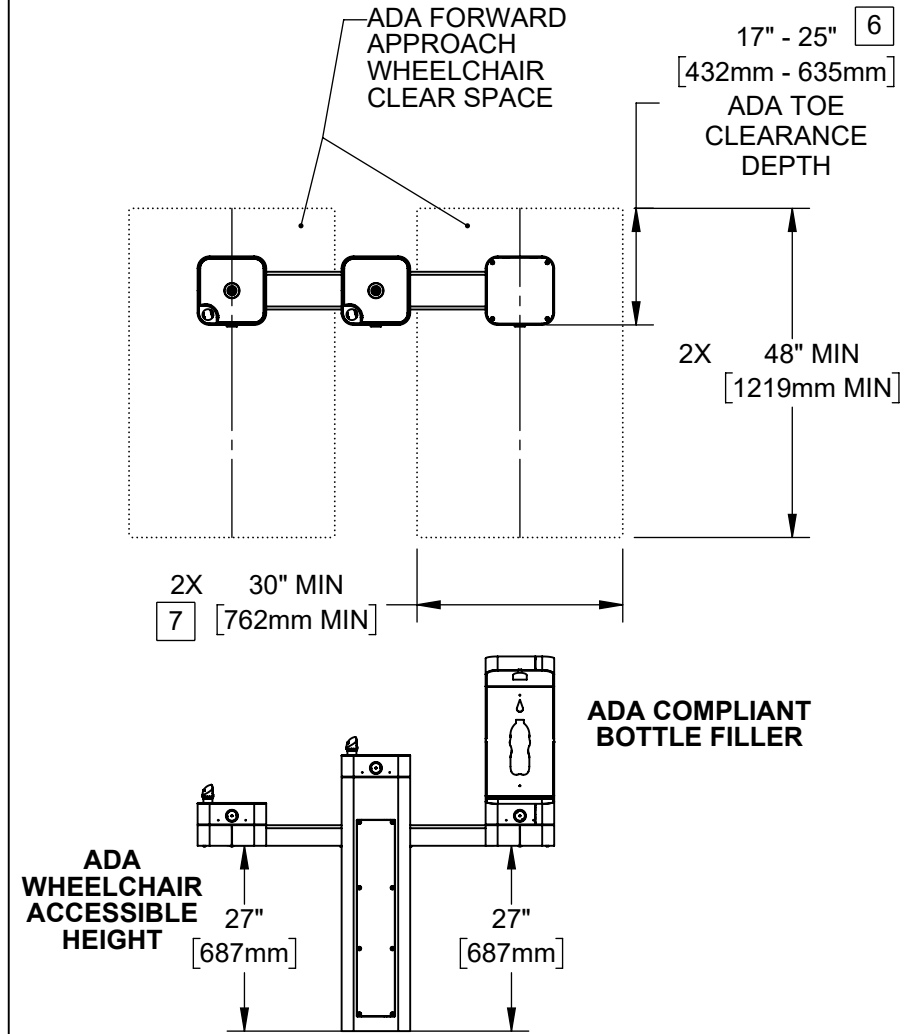
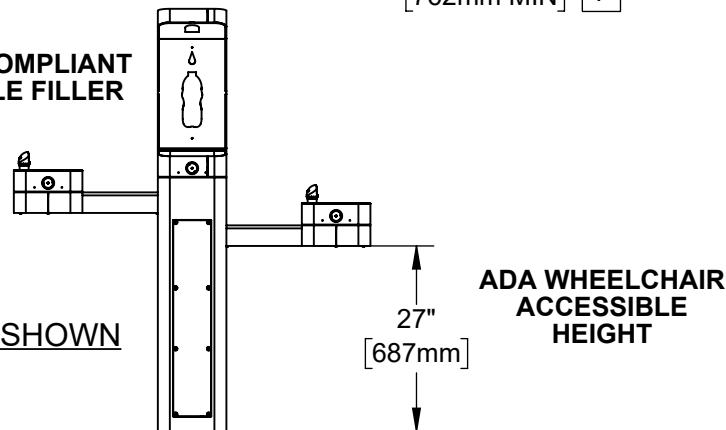
6 SOME CALIFORNIA JURISDICTIONS MAY REQUIRE 18" MIN.

7 SOME CALIFORNIA JURISDICTIONS MAY REQUIRE 32" MIN.

8. REFER TO ADA STANDARDS AND/OR YOUR LOCAL BUILDING CODE FOR CLEAR SPACE GUIDELINES FOR PARALLEL APPROACH.



MODEL 3612 SHOWN



MODEL 3612 ALTERNATE CONFIGURATION SHOWN

THESE HAWS MODELS ARE FULLY COMPLIANT WITH THE FEDERAL 2010 AMERICANS WITH DISABILITIES ACT (ADA) ACCESSIBILITY REQUIREMENTS WHEN INSTALLED AS SHOWN HERE AND WHEN INSTALLED WITH PROPER CLEARANCES AND ACCESS. IT IS THE RESPONSIBILITY OF THE INSTALLER TO ADHERE TO LOCAL, STATE, AND FEDERAL CODES WHEN INSTALLING THIS UNIT. DISTANCE TO SURROUNDING OBJECTS, APPROACH SURFACES, ETC. SHOULD BE CONSIDERED.



1455 KLEPPE LANE
SPARKS, NEVADA 89431
(775) 359-4712 FAX (775) 359-7424
E-MAIL: HAWS@HAWS.CO.COM
WEBSITE: WWW.HAWS.CO.COM

ECN: 5226	REV. ECN: 5822	BY: JU	MODEL(S)	3603FR	PART NUMBER	0510000762.D
DRAWN: DHP	DATE: 6/11/20	CHKD: BJM			REVISION	5
APPROVED: FV	DATE: 07/12/22	SCALE: 1:28	DRAWING TYPE:	INSTALLATION	SIZE: A	SHEET 8 OF 8