



INSTALLATION, OPERATION & MAINTENANCE INSTRUCTIONS

1455 Kleppe Lane ♦ Sparks, NV 89431-6467 ♦ (775) 359-4712 ♦ Fax (775) 359-7424
E-mail: haws@hawsco.com ♦ website: www.hawsco.com

No. 0510000753 (3)

MODELS 3603 & 3603F (with Filter) Outdoor Triple Drinking Fountain

NOTE TO INSTALLER: Please leave this information with the Maintenance Department.

LIMITED WARRANTY

HAWS warrants that all of its products are guaranteed against defective material or poor workmanship for a period of **one year from the date of shipment**. The foregoing notwithstanding, *HAWS* warrants certain specific products or components thereof for an adjusted period. A list of these excepted products and components and a description of their respective warranty terms may be found here: www.hawsco.com/warranty. *HAWS'* liability under this warranty shall be discharged by furnishing without charge F.O.B. *HAWS* factory any goods, or part thereof, which shall appear to the Company upon inspection to be of defective material or not of first-class workmanship, provided that a claim is made in writing to Company within a reasonable period after receipt of the product. Where claims for defects are made, the defective part or parts shall be delivered to the Company, prepaid, for inspection. *HAWS* shall not be liable for the cost of repairs, alterations or replacements, or the labor required to implement them, or for any expense connected therewith made by the owner or owner's agents, except upon written authority from *HAWS*. *HAWS* shall not be liable for any damages caused by defective materials or poor workmanship, except for replacements, as provided above. Buyer agrees that *HAWS* has made no other warranties either express or implied in addition to those above stated, except that of title with respect to any of the products or equipment sold hereunder and that *HAWS* shall not be liable for general, special, incidental, or consequential damages claimed to arise under the contract of sale.

Equipment manufactured by *HAWS* is warranted to function if installation and maintenance instructions provided are adhered to. The units also must be used for the purpose for which they were intended. Any *HAWS* emergency equipment is intended to supplement first-aid treatment. Due to widely varying conditions, *HAWS* cannot guarantee that the use of this emergency equipment will prevent serious injury or the aggravation of existing or prior injuries.

EXCEPT AS EXPRESSLY STATED HEREIN, HAWS HEREBY DISCLAIMS ALL WARRANTIES, WHETHER EXPRESS OR IMPLIED, ARISING BY LAW OR OTHERWISE, INCLUDING WITHOUT LIMITATION, ANY IMPLIED WARRANTIES OF MERCHANTABILITY AND FITNESS FOR A PARTICULAR PURPOSE. THIS WARRANTY MAY NOT BE MODIFIED OR EXTENDED WITHOUT THE WRITTEN CONSENT OF HAWS. REMEDIES AND REPLACEMENTS STATED HEREIN ARE EXCLUSIVE. IN NO EVENT SHALL HAWS BE LIABLE FOR ANY SPECIAL, PUNITIVE, CONSEQUENTIAL OR INCIDENTAL DAMAGES TO ANY PERSON INCLUDING BUT NOT LIMITED TO DAMAGES FOR LOSS OF USE OR PROFITS, SUBSTITUTE PRODUCTS OR COSTS, PROPERTY DAMAGE, OR OTHER MONETARY LOSS.

SHOULD YOU EXPERIENCE DIFFICULTY WITH THE INSTALLATION OF THIS MODEL PLEASE CALL:

TECHNICAL SUPPORT: 1-800-766-5612
FOR CUSTOMER SERVICE: 1-888-640-4297

RECOMMENDED TOOLS:

- Measuring Tape
- PVC Pipe Cutter
- Plastic Tubing Cutter
- PVC Solvent Weld Glue
- ¼" Bit-Holding Screwdriver
- Level
- 10" Pipe Wrench
- Adjustable Plier
- 1/8 and 5/32 Tamper Resistant Hex Bits (Supplied)
- 9/16" and 5/8" Box/Open Combination Wrenches, 8" Max Length
- 3/8" Socket Wrench/Ratchet, 8" Max Length
- 9/16" Deep Socket
- 15/16" Socket

LOCATION OF UNIT: The Model 3603/3603F (with Filter) Fountain can be installed and assembled to be ADA accessible by first locating the pedestal base with at least 8 inches of clear unobstructed hardscape behind the pedestal. Provide hardscape that is at least 74 inches wide. When the right pedestal arm is installed in the high orientation, the height dimensions shown on the model specification sheet meet current Federal Americans with Disabilities Act (ADA) wheelchair requirements. When a fountain is installed on top of the pedestal, the height dimensions shown on the model specification sheet meet current ADA standing height requirements. When installing this unit, local, state and federal (including ADA) codes must be adhered to. If height other than shown is required, then dimensions must be adjusted accordingly.

ATTENTION: For model 3603F (model with Filter), the Operating Temperature Range for the 6477 Filter Kit Assembly (Required - supplied separately) is 40° F - 100° F (4.4° C – 37.8° C).

SUPPLY LINE: Model 3603 – The minimum recommended line size is 1/2"IPS with 30-90 psi (2-6 ATM) flowing pressure. Where sediment or mineral content is a problem, an inlet filter is recommended. **Model 3603F (with Filter)** – The minimum recommended line size is 1/2"IPS with 40-90 psi (2.76-6 ATM) flowing pressure.

PLUMBING CONNECTIONS: Model 3603 – Water supply inlet connection is a 3/8"O.D. compression fitting. Waste outlet is 1-1/2" PVC pipe. **Model 3602F** – Water supply inlet and outlet connection (for Filter) is a 3/8"O.D. push-in type fitting. Waste outlet is 1-1/2" PVC pipe. Plumbing connections will vary depending on how each model is configured during assembly. Please consult the installation drawings below for supply and waste fitting arrangements and assembly for your specific model.

MAINTENANCE: Models 3603 & 3603F Periodically clean the pushbutton valve strainer. Refer to 5874 Series Valve Operation and Maintenance Manual for more information. **Model 3603F** – Filter replacement to occur at 1 year maximum or 3,000 gallons maximum, whichever comes first. Replace filter per Filter Replacement instructions listed on model 6477 Operation & Maintenance Manual.

INSTALLATION PROCEDURE

GENERAL NOTES:

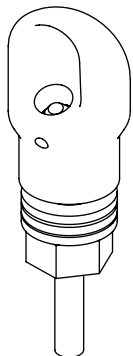
1. For all compression fitting connections, only connect NSF-61 copper or plastic 3/8" outside diameter tubing. The following assembly instructions must be followed to ensure a watertight connection:
 - a. Cut tubing square and clean. Deburr if necessary.
 - b. Place compression nut and ferrule over end of tubing.
 - c. For plastic tubing (must be 1/4" inside diameter), insert supplied tubing insert into end of tubing.
 - d. Push tube into the fitting until it bottoms out.
 - e. Thread nut onto fitting and tighten snugly with 5/8" wrenches.

| Tube Sizes | O.D. Tolerance | Insertion Depth |
|------------|----------------|-----------------|
| 3/8" | ±.005" | 3/4" |

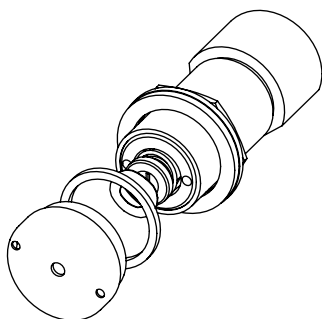
| TROUBLESHOOTING | |
|------------------------------|---|
| PROBLEM | REPAIR CHECKLIST |
| 1. Insufficient bubbler flow | 1a. For 3603 – Verify minimum 30 psi flowing supply pressure. For 3603F – Verify minimum 40 psi flowing supply pressure. b. Check that inlet screwdriver stop valve is wide open. Clean inlet strainer or adjust valve to increase flow. See 5874 Series Valve Manual*. c. For 3603F (Only) – Check water filter. Replace at 1 year or 3,000 gallons (max.), whichever comes first. |

*For more information about Haws products, see our website: www.hawsc.com

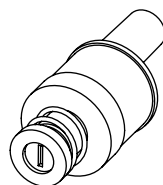
REPLACEMENT PARTS DRINKING FOUNTAIN



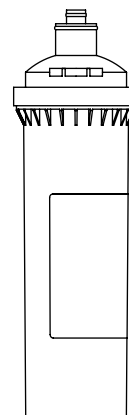
**MODEL 5703M
BUBBLER HEAD**



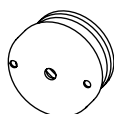
**MODEL 5874PB
PUSHBUTTON**



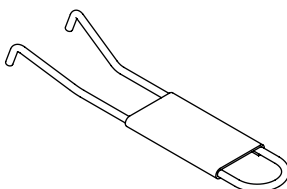
**MODEL VRK5874
VALVE REPAIR KIT**



**MODEL 6428
FILTER CARTRIDGE
(FOR 36XXF SERIES
MODELS)**



**MODEL PBA7
BUTTON ASSEMBLY**



**0006983506
SPANNER WRENCH**

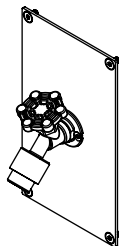


**0510001030
HEX BIT,
PINNED, 5/32"**

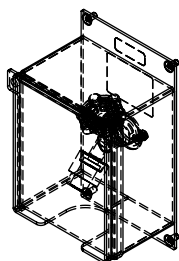


**0510001029
HEX BIT,
PINNED, 1/8"**

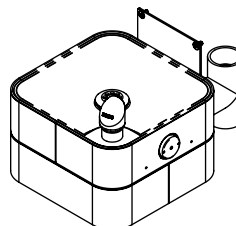
OPTIONAL ACCESSORIES



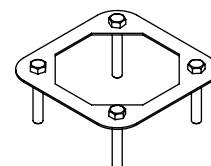
**MODEL 3661 HOSE BIB
(NOT FREEZE RESISTANT)**



**MODEL 3660 LOCKABLE HOSE BIB
(NOT FREEZE RESISTANT)**



**MODEL 3670 DOG BOWL
(NOT FREEZE RESISTANT)**



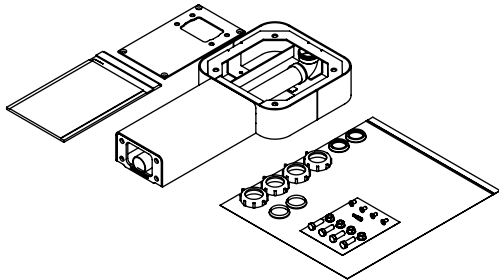
**MODEL MTG.3600
INSTALLATION AID**

3603 & 3603F MODULAR OUTDOOR FOUNTAIN SYSTEM PARTS BREAKDOWN

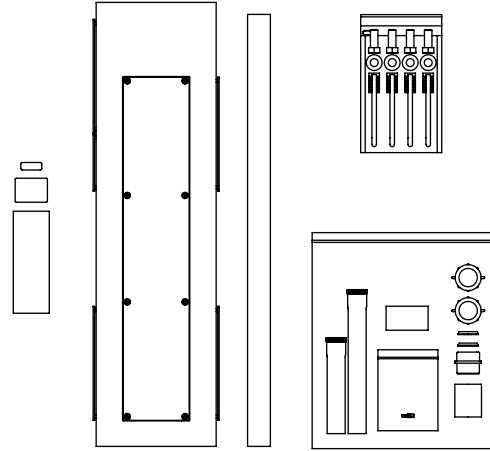
WHEN ORDERING PARTS, PLEASE
SPECIFY PART NUMBER

| | | | |
|--------------|----------------|---|-------------------------------|
| | | 1455 KLEPPE LANE SPARKS, NEVADA 89431 (775) 359-4712 FAX (775) 359-7424 E-MAIL: HAWS@HAWSO.COM WEBSITE: WWW.HAWSO.COM | |
| ECN: 5226 | REV. ECN: 5794 | BY: CC | MODEL(S) |
| DRAWN: CC | DATE: 09/14/17 | CHKD: FV | 3603 & 3603F |
| APPROVED: JU | DATE: 03/21/22 | SCALE: 1:2 | DRAWING TYPE: PARTS BREAKDOWN |
| | | | PART NUMBER: 0510000753 |
| | | | REVISION: 3 |
| | | | SIZE: A SHEET 1 OF 2 |

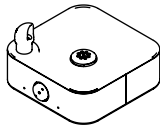
AVAILABLE SUB COMPONENT MODELS



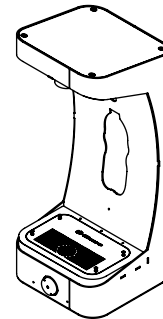
MODEL 3671 PEDESTAL ARM ASSEMBLY



MODEL 3674 PEDESTAL ASSEMBLY



MODEL 3680 FOUNTAIN ASSEMBLY



MODEL 3690 BOTTLE FILLER ASSEMBLY

**3603 & 3603F
MODULAR OUTDOOR
FOUNTAIN SYSTEM**

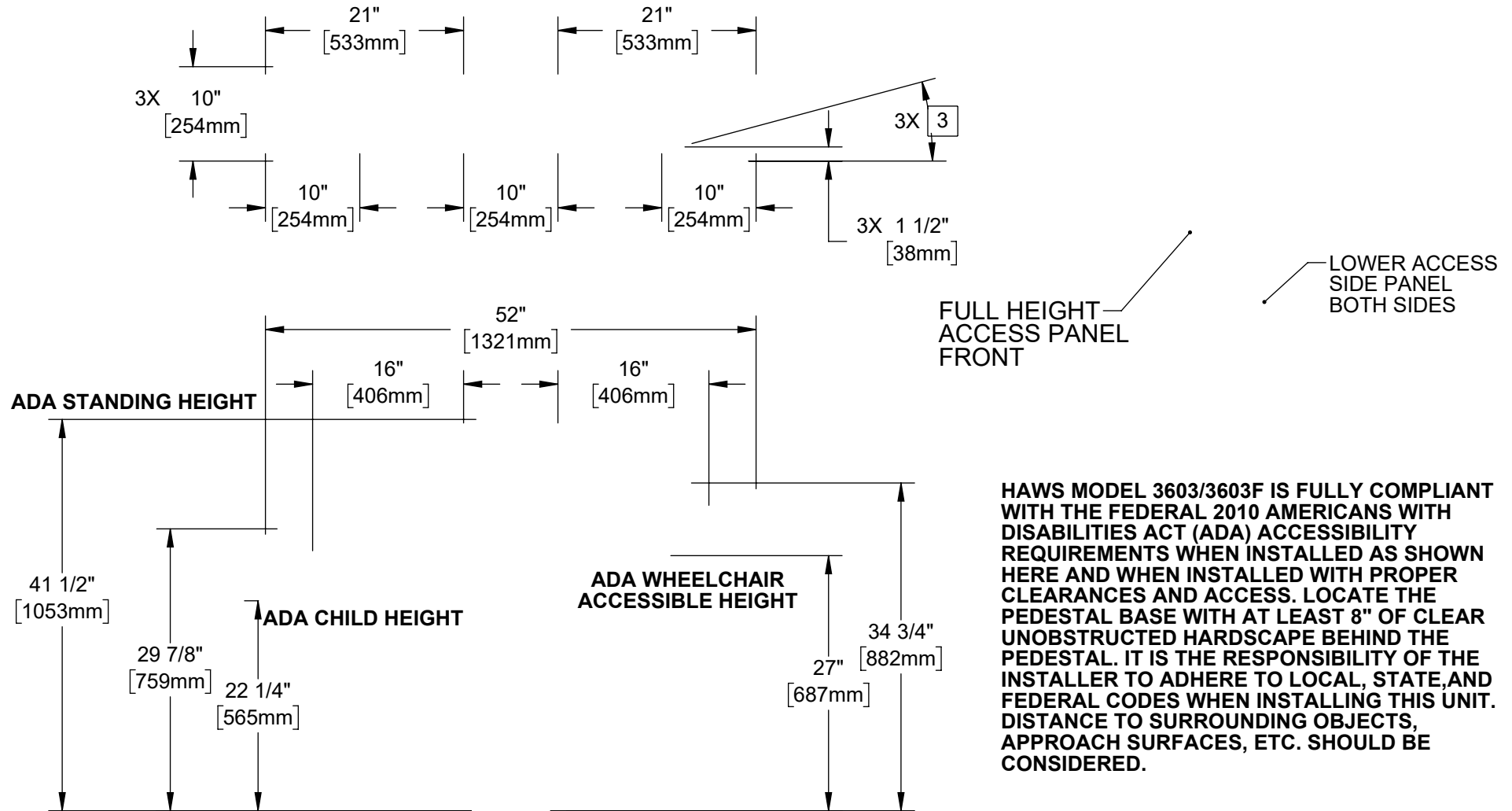
PARTS BREAKDOWN

WHEN ORDERING PARTS, PLEASE
SPECIFY PART NUMBER

| | | | | | | | |
|--|-------------------|-------------|---|---------------|-------------------------------|---------|--------------|
|  | | | 1455 KLEPPE LANE SPARKS, NEVADA 89431 (775) 359-4712 FAX (775) 359-7424 E-MAIL: HAWS@HAWS.CO.COM WEBSITE: WWW.HAWS.CO.COM | | | | |
| | | | PART NUMBER 0510000753 | REVISION 3 | | | |
| ECN: 5226 | REV. ECN: 5794 | BY: CC | MODEL(S) 3603 & 3603F | SCALE: 1:16 | DRAWING TYPE: PARTS BREAKDOWN | SIZE: A | SHEET 2 OF 2 |
| DRAWN: CC | DATE: 09/14/17 | CHKD: FV | | | | | |
| APPROVED: JU | DATE: 03/21/22 | | | | | | |

NOTES:

1. WHEN INSTALLING THIS UNIT, LOCAL, STATE, OR FEDERAL CODES SHOULD BE ADHERED TO. INSTALL A TRAP IN THE WASTE LINE AND A SCREWDRIVER STOP IN THE SUPPLY LINE IF REQUIRED.
2. ARM HEIGHT CAN BE CONFIGURED AS DESIRED, REFER TO SHEET 6 FOR ALTERNATE CONFIGURATIONS
3. MAXIMUM ADJUSTABLE RANGE IS 15° FROM PARALLEL TO BACK OF WALL.



HAWS MODEL 3603/3603F IS FULLY COMPLIANT WITH THE FEDERAL 2010 AMERICANS WITH DISABILITIES ACT (ADA) ACCESSIBILITY REQUIREMENTS WHEN INSTALLED AS SHOWN HERE AND WHEN INSTALLED WITH PROPER CLEARANCES AND ACCESS. LOCATE THE PEDESTAL BASE WITH AT LEAST 8" OF CLEAR UNOBSTRUCTED HARDSCAPE BEHIND THE PEDESTAL. IT IS THE RESPONSIBILITY OF THE INSTALLER TO ADHERE TO LOCAL, STATE, AND FEDERAL CODES WHEN INSTALLING THIS UNIT. DISTANCE TO SURROUNDING OBJECTS, APPROACH SURFACES, ETC. SHOULD BE CONSIDERED.

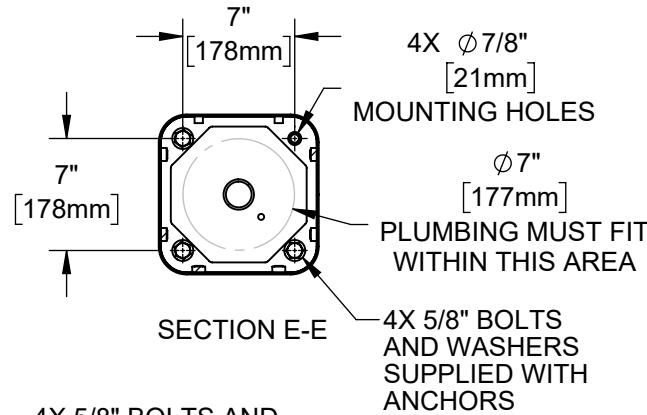
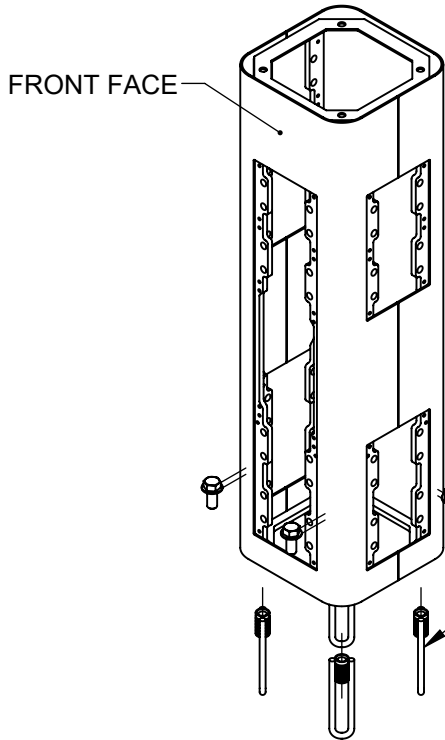
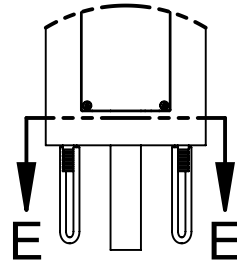
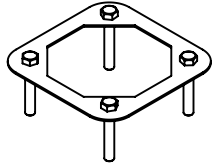
CONCRETE ANCHORS INCLUDED. RE-USABLE TEMPLATE MODEL MTG.3600 AVAILABLE, SOLD SEPARATELY.



| | | | | | |
|--|--|--|--|--|--|
| | | | | | |
| | | | | | |
| | | | | | |

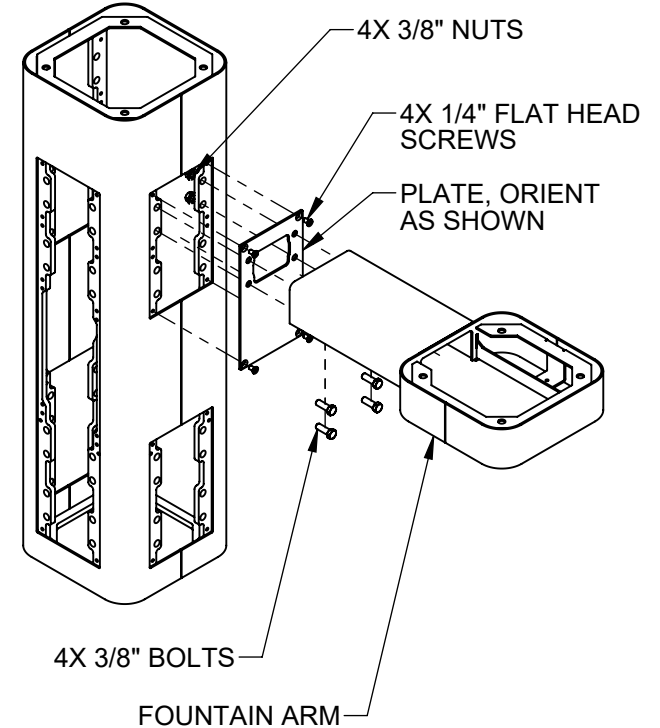
INSTALLATION INSTRUCTIONS

MODEL MTG.3600
(OPTIONAL)
TEMPLATE FOR
SPACING ANCHORS
DURING CONCRETE
POUR



STEP 1

MOUNT PEDESTAL TO CONCRETE SLAB IN DESIRED ORIENTATION. SLAB TO BE 30" MINIMUM SQUARE AND 6" MINIMUM THICK (BY OTHERS). PLUMBING CAST IN CONCRETE MUST FIT IN 7" DIAMETER AREA CENTERED UNDER PEDESTAL LOCATION.

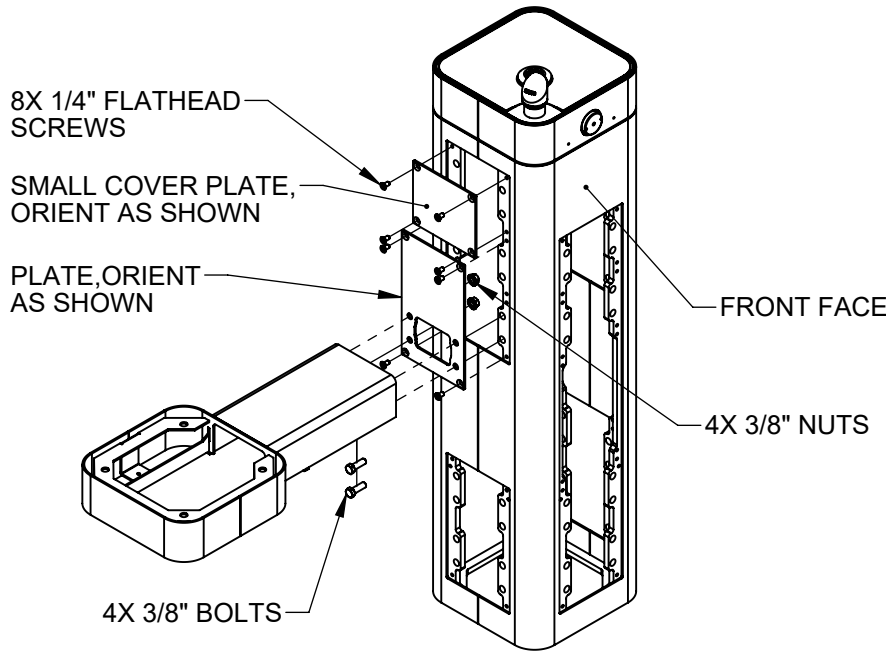


STEP 2

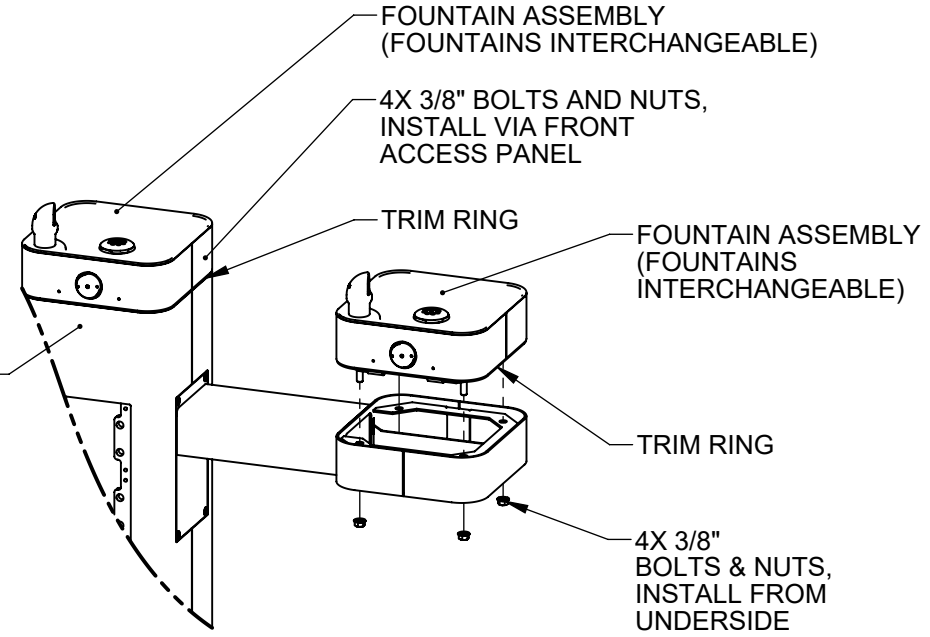
REMOVE BOTTOM COVER PLATES FROM ARMS BY REMOVING 3 1/4" BUTTON HEAD SCREWS. INSTALL ONE FOUNTAIN ARM ON RIGHT SIDE AS SHOWN. USE 1/4" FLAT HEAD SCREWS (SUPPLIED) TO INSTALL PLATE. USE 3/8" BOLTS AND NUTS (SUPPLIED) AND TORQUE TO 18 FT-LBS TO INSTALL ARM.

| | | | |
|--|--|---|---|
| | | 1455 KLEPPE LANE SPARKS, NEVADA 89431 (775) 359-4712 FAX (775) 359-7424 E-MAIL: HAWS@HAWSO.COM WEBSITE: WWW.HAWSO.COM | |
| | | ECN: 5226 REV. ECN: 5794 DRAWN: DHP APPROVED: JU | BY: JU DATE: 6/11/20 CHKD: FV DATE: 03/21/22 |
| SCALE: 1:12 DRAWING TYPE: INSTALLATION SIZE: A | | SHEET 2 OF 6 | |


INSTALLATION INSTRUCTIONS



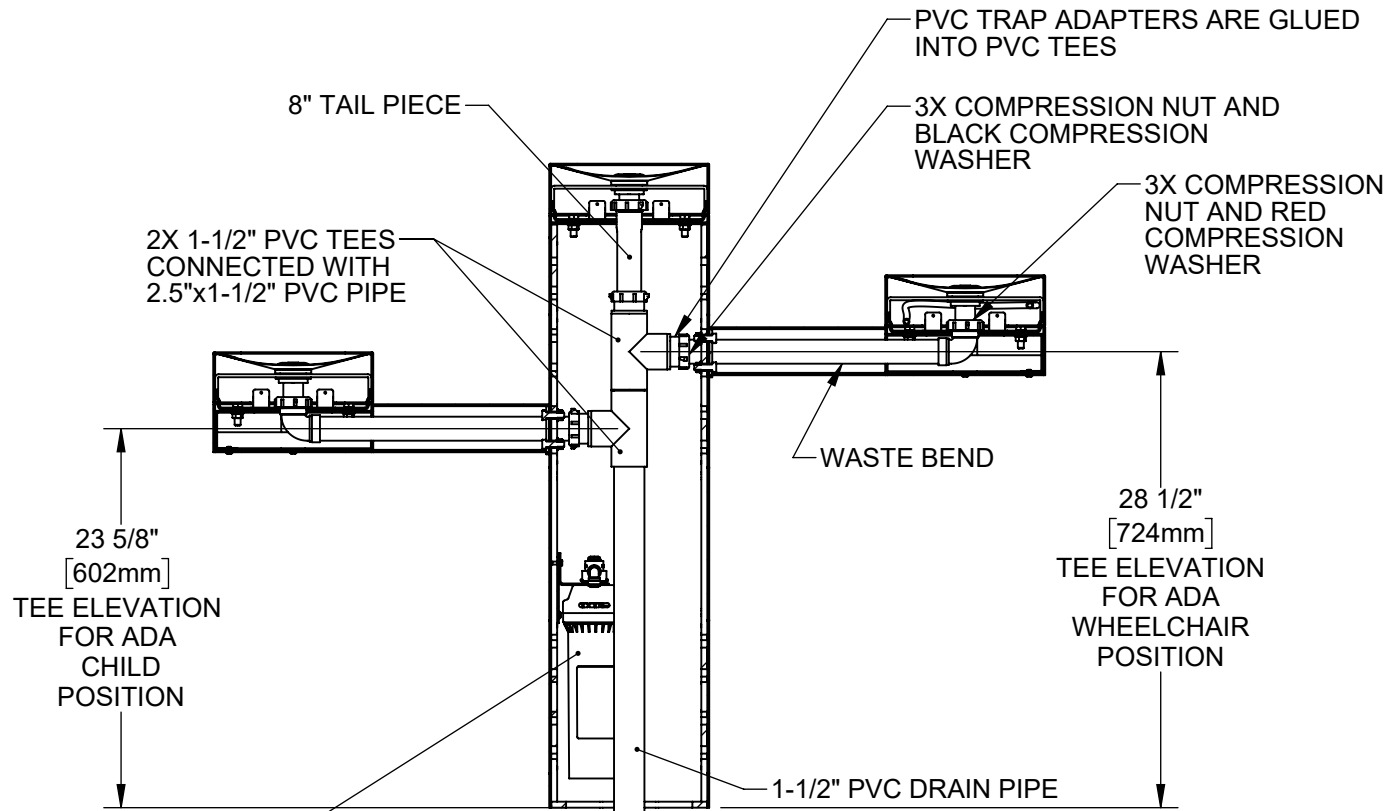
STEP 3
 INSTALL REMAINING ARM ON LEFT SIDE AS SHOWN. USE 1/4" FLAT HEAD SCREWS (SUPPLIED) TO INSTALL PLATES. USE 3/8" BOLTS AND NUTS (SUPPLIED) AND TORQUE TO 18 FT-LBS TO INSTALL ARM.



STEP 4
 PLACE SQUARE TRIM RING ON TOP OF PEDESTAL AND PLACE ONE FOUNTAIN ASSY. ON TOP OF TRIM RING, FACING THE FRONT. USE 3/8" BOLTS AND NUTS VIA THE FRONT ACCESS PANEL TO SECURE FOUNTAIN ASSY TO PEDESTAL. PLACE TRIM RING AND INSTALL REMAINING FOUNTAIN ASSEMBLIES. ON ARM AS SHOWN. CAREFULLY CENTER TRIM RINGS AND TORQUE BOLTS AND NUTS TO 18 FT-LBS

| | | | |
|---|--|---|---|
|  | | 1455 KLEPPE LANE SPARKS, NEVADA 89431 (775) 359-4712 FAX (775) 359-7424 E-MAIL: HAWS@HAWSO.COM WEBSITE: WWW.HAWSO.COM | |
| | | ECN: 5226 DRAWN: DHP APPROVED: JU | REV. ECN: 5794 DATE: 6/11/20 DATE: 03/21/22 |
| PART NUMBER 0510000753.D | | | REVISION 3 |
| SCALE: 1:12 DRAWING TYPE: INSTALLATION SIZE: A | | SHEET 3 OF 6 | |

INSTALLATION INSTRUCTIONS



MODEL 6477 WATER FILTER KIT LOCATION IN BACK LEFT CORNER BEHIND DRAIN PIPE. INSTALL AS SHOWN IN STEP 6 (SHEET 5). FOR NEW INSTALLATIONS WITH MODEL 3603F, INSTALLING THE FILTER PRIOR TO INSTALLING THE DRAIN PIPE WILL IMPROVE ACCESS.

WASTE LINE INSTALLED PER LOCAL CODES AND STANDARDS

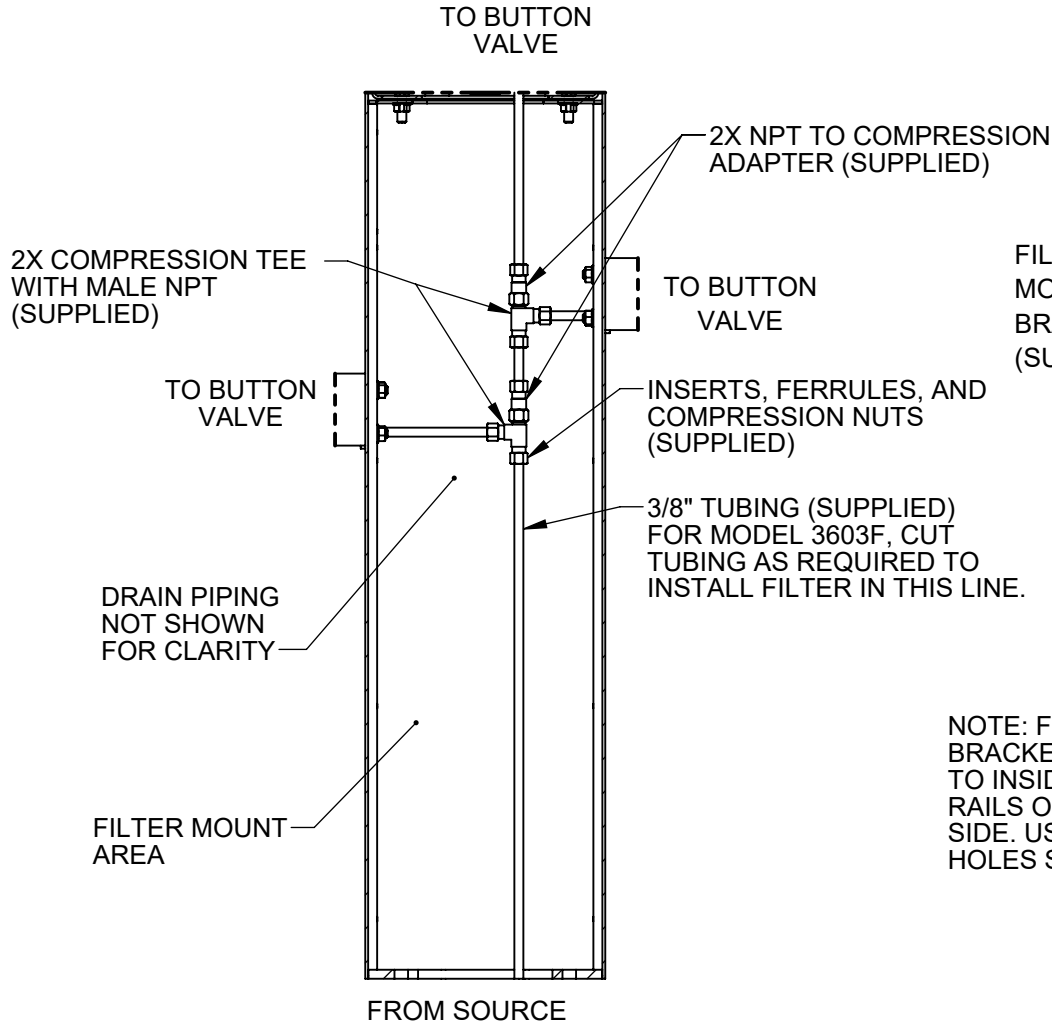
MODEL 3603F (WITH FILTER) SHOWN

STEP 5

INSTALL SUPPLIED DRAIN COMPONENTS AS SHOWN. RED COMPRESSION WASHERS ADAPT FROM 1-1/4" TO 1-1/2" AT EACH DRAIN TAIL PIECE. BLACK COMPRESSION WASHERS ARE USED IN TRAP ADAPTERS AT TEE. USE APPROPRIATE PVC CEMENT TO MAKE SOLVENT CEMENT CONNECTIONS. TRIM WASTE BEND AND/OR TAIL PIECE LENGTH IF REQUIRED. NOTE THAT EXTRA PARTS MAY BE INCLUDED TO FACILITATE OTHER CONFIGURATIONS OF THIS FOUNTAIN.

| | | | |
|--|--|---|---|
| | | 1455 KLEPPE LANE SPARKS, NEVADA 89431 (775) 359-4712 FAX (775) 359-7424 E-MAIL: HAWS@HAWS.CO.COM WEBSITE: WWW.HAWS.CO.COM | |
| | | ECN: 5226 DRAWN: DHP APPROVED: JU | REV. ECN: 5794 DATE: 6/11/20 DATE: 03/21/22 |
| PART NUMBER 0510000753.D | | | REVISION 3 |
| SCALE: 1:12 DRAWING TYPE: INSTALLATION SIZE: A | | SHEET 4 OF 6 | |

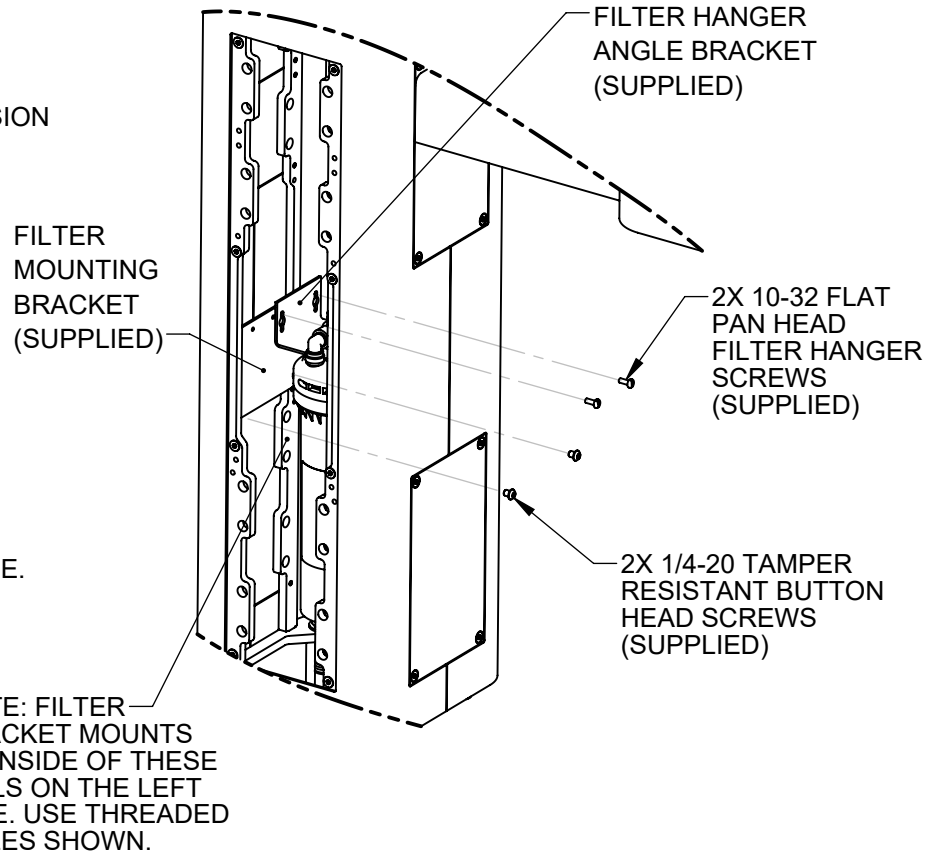
INSTALLATION INSTRUCTIONS



3603 SUPPLY PLUMBING

STEP 6

COMPLETE WATER SUPPLY PLUMBING AS SHOWN. OPEN SUPPLY VALVE(S) AND TEST. REPLACE ARM BOTTOM PLATES AND PEDESTAL ACCESS PLATES.



3603F FILTER BRACKET MOUNTING

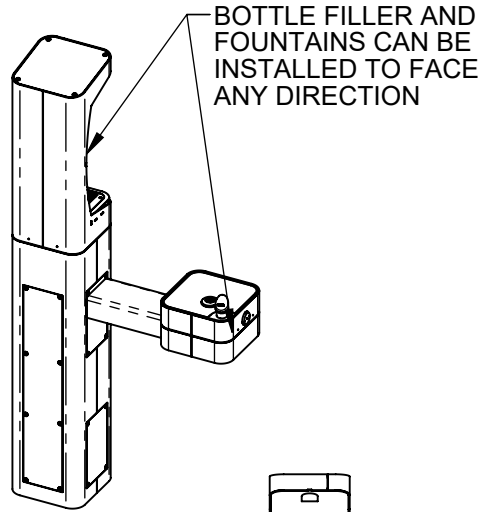
STEP 7

INSTALL FILTER MOUNTING BRACKET (SUPPLIED WITH MODEL 6477) TO LEFT INSIDE VERTICAL RAILS USING 2 BUTTON HEAD SCREWS AS INDICATED ABOVE. INSTALL FILTER HEAD ON HANGER ANGLE WITH 4 SUPPLIED SELF-TAPPING SCREWS. INSTALL FILTER HANGER ANGLE BRACKET IN RIGHTMOST HOLES AS SHOWN. SEE MODEL 6477 OPERATION AND MAINTENANCE MANUAL FOR ADDITIONAL DETAILS.

| | | | |
|---|--|---|---|
|  | | 1455 KLEPPE LANE SPARKS, NEVADA 89431 (775) 359-4712 FAX (775) 359-7424 E-MAIL: HAWS@HAWSCO.COM WEBSITE: WWW.HAWSCO.COM | |
| | | ECN: 5226 REV. ECN: 5794 DRAWN: DHP APPROVED: JU | BY: JU DATE: 6/11/20 DATE: 03/21/22 |
| SCALE: 1:8 DRAWING TYPE: INSTALLATION SIZE: A | | SHEET 5 OF 6 | |

NOTES ON OPTIONAL CONFIGURATIONS

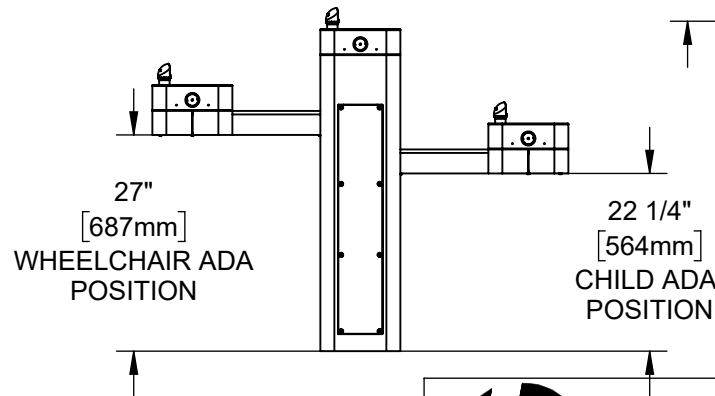
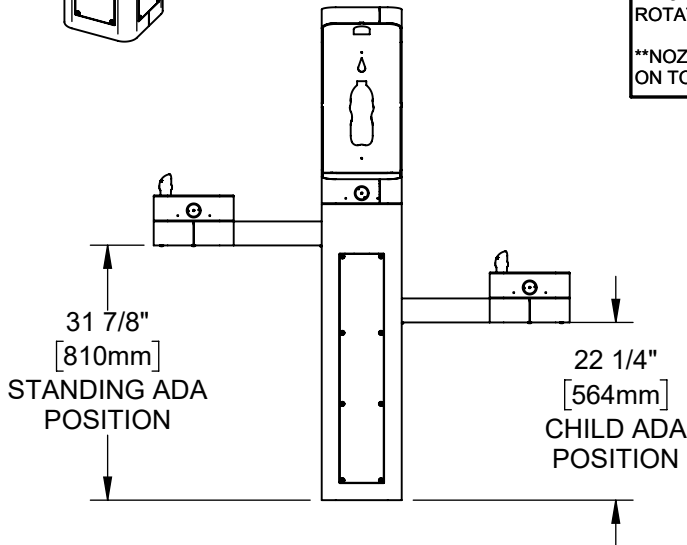
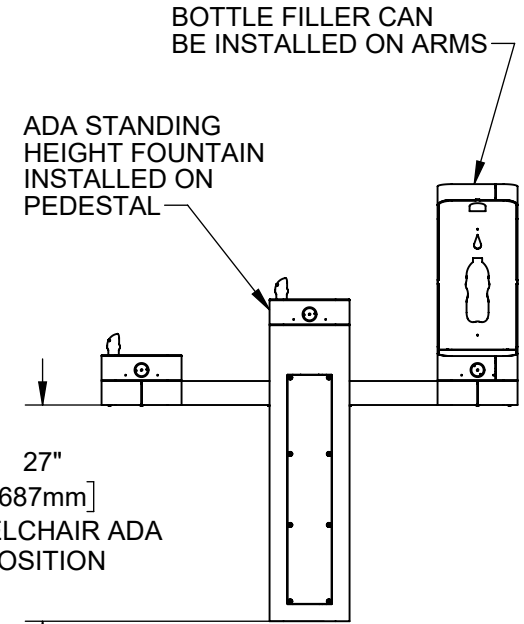
HAWS 3600/3600F SERIES OUTDOOR FOUNTAINS ARE MODULAR AND CAN BE ASSEMBLED AND CONFIGURED MANY DIFFERENT WAYS. DISPLAYED HERE ARE A FEW EXAMPLES. CONFIGURATIONS OTHER THAN THAT SHOWN IN THE INSTALLATION INSTRUCTIONS FOR THE 3603/3603F MAY AFFECT COMPLIANCE WITH ADA REGULATIONS. IT IS THE RESPONSIBILITY OF THE INSTALLER TO UNDERSTAND LOCAL, STATE, AND FEDERAL REGULATIONS AS APPLICABLE IF INSTALLING THIS FOUNTAIN IN CONFIGURATIONS OTHER THAN THAT INDICATED ON SHEET 1 (PAGE 6 OF 11).



| ADA ARM HEIGHT POSITION OPTIONS | | | | |
|---------------------------------|------------|-------------|-------------------------|-----------------------|
| | LEFT SIDE* | RIGHT SIDE* | ARM HEIGHT (LOWER EDGE) | BUBBLER NOZZLE HEIGHT |
| STANDING ADA | YES (STD) | NO | 31-7/8 [809 mm] | 39-3/8 [999 mm]** |
| WHEELCHAIR ADA | YES | YES (STD) | 27 [687 mm] | 34-5/8 [878 mm] |
| CHILD ADA | YES | YES | 22-1/4 [566 mm] | 29-7/8 [757 mm] |

* RIGHT AND LEFT CAN BE REVERSED IF PEDESTAL IS ROTATED 180°.

**NOZZLE HEIGHT IS 41-1/2" WHEN FOUNTAIN IS INSTALLED ON TOP OF PEDESTAL.



1455 KLEPPE LANE
SPARKS, NEVADA 89431
(775) 359-4712 FAX (775) 359-7424
E-MAIL: HAWS@HAWSO.COM
WEBSITE: WWW.HAWSO.COM

| | | | | |
|--------------|----------------|-------------|----------------------------|--------------------------|
| ECN: 5226 | REV. ECN: 5794 | BY: JU | MODEL(S) 3603 & 3603F | PART NUMBER 0510000753.D |
| DRAWN: DHP | DATE: 6/11/20 | CHKD: FV | | REVISION 3 |
| APPROVED: JU | DATE: 03/21/22 | SCALE: 1:24 | DRAWING TYPE: INSTALLATION | SIZE: A SHEET 6 OF 6 |