

FEATURES & BENEFITS

BOTTLE FILLER VALVE

With its patented stainless steel, push-button activated valve assembly which allows for front access stream adjustment as well as cartridge and strainer access, this bottle filler offers 100% lead free waterways. The valve works at an operating pressure range of 30 to 90 psi (2.1 to 6.2 bar).

CONSTRUCTION

Unit is made of 14 gauge Type 304 stainless steel with a satin finish that resists stains and corrosion, and has soft rounded corners. Unit features vandal-resistant bottom plate and dispensing nozzle.

VANDAL-RESISTANT

The push button and bottom plate are locked in place, discouraging unwanted vandal tampering.

LAMINAR FLOW

Adjustable, splash-free, 1 gpm (3.78 L) laminar water flow.

EFFICIENT & FLEXIBLE INSTALLATION

Unit is designed for retrofit or new construction applications. No drain required for mounting over existing drinking fountain.

MOUNTING OPTIONS

Select from mounting plate and back panel models to complete installation. Unit can mount on various wall types.



OPTIONS

- Mounting Plate: Model 6700 in-wall mounting plate is used with the 1920 series bottle fillers for single or dual fountain retrofit installations.
- Mounting Plate: Model 6700R on-wall mounting plate is used with the 1920 series bottle fillers for single or dual fountain retrofit installations.
- Back Panel: Model BP15, satin finish stainless steel 15 inch back panel for Model 1920 over a single fountain.
- Back Panel: Model BP32, satin finish stainless steel 32" back panel for model 1920 bottle filler over a dual fountain.
- Drain Basin: Model 6468 drip tray accessory catches unused bottle filler water.

For more information, visit www.hawesco.com or call (888) 640-4297.

SPECIFICATIONS

Model 1920 wall mounted vandal-resistant bottle filler shall include 100% lead-free waterways, satin stainless steel construction, 1 gpm (3.78 L) laminar flow, push-button operated stainless steel valve with front-accessible cartridge and flow adjustment. It can be used as a stand-alone station or mounted above the Haws® 1001, 1011, 1107L, 1109, 1117L, and 1119 series drinking fountains.

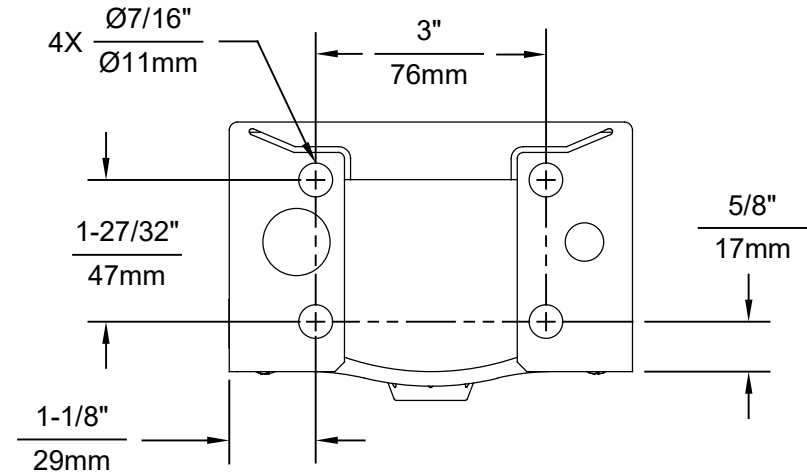
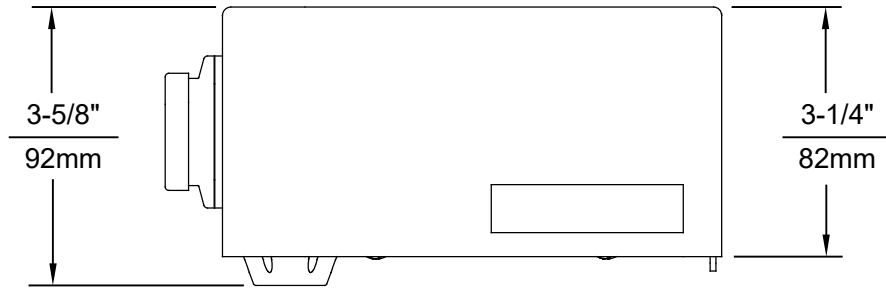
This product requires a mounting plate; either the Haws model 6700 in-wall or the 6700R on-wall support plate.

APPLICATIONS

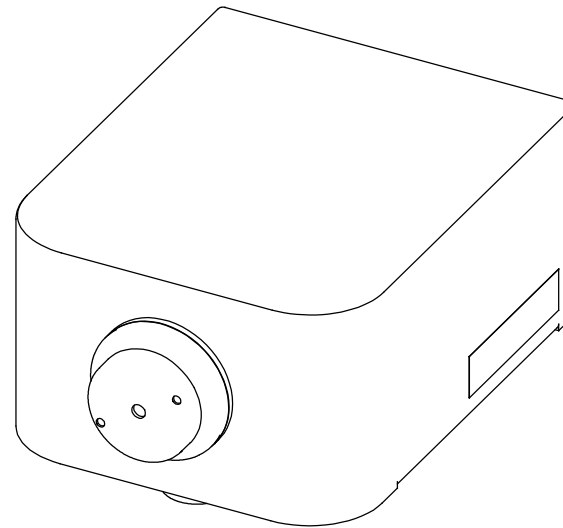
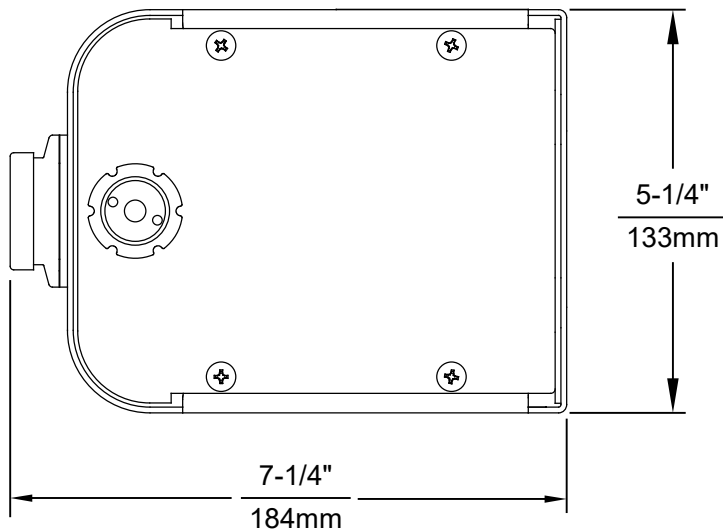
This type of wall mounted bottle filler may be placed in settings such as schools and other locations in and around office buildings with existing fountain installations where the temperature remains above freezing. Haws manufactures drinking fountains, faucets and electric water coolers to be lead-free by all known definitions including NSF/ANSI/CAN 61-Section 9, NSF/ANSI/CAN 372, California Proposition 65, and the Federal Safe Drinking Water Act. Product is compliant to California Health and Safety Code 116875 (AB 1953-2006), and 116876 (AB 100) "NSF/ANSI/CAN 61: Q ≤ 1"



THIS DOCUMENT IS TRUE AND CORRECT AT TIME OF PUBLICATION. CONTINUED PRODUCT IMPROVEMENTS MAKE SPECIFICATIONS AND MEASUREMENTS SUBJECT TO CHANGE WITHOUT NOTICE.



1920 MOUNTING HOLE LOCATIONS

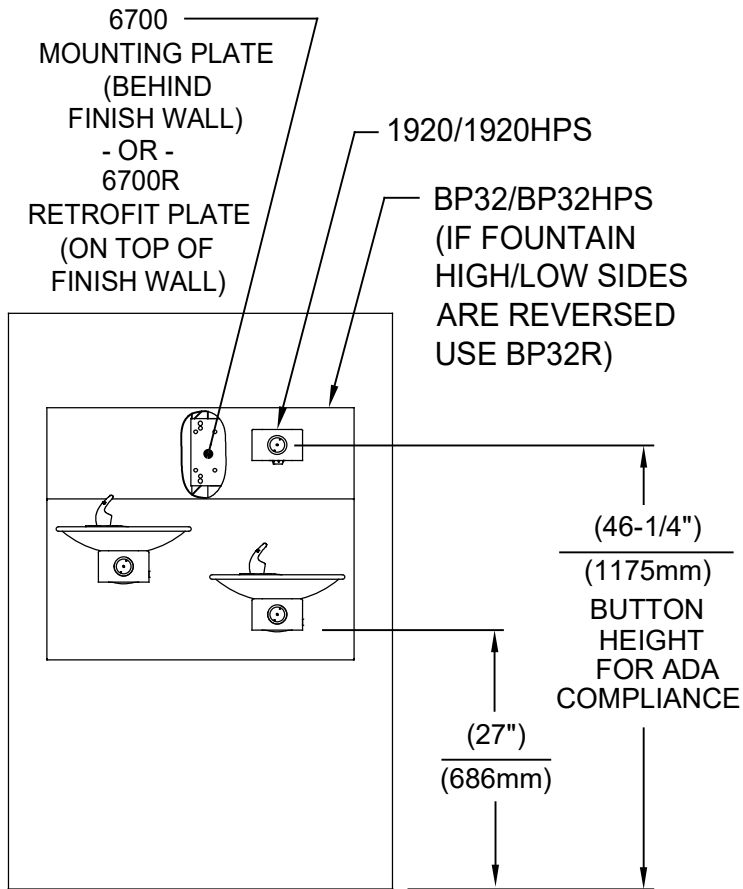


NOTES:

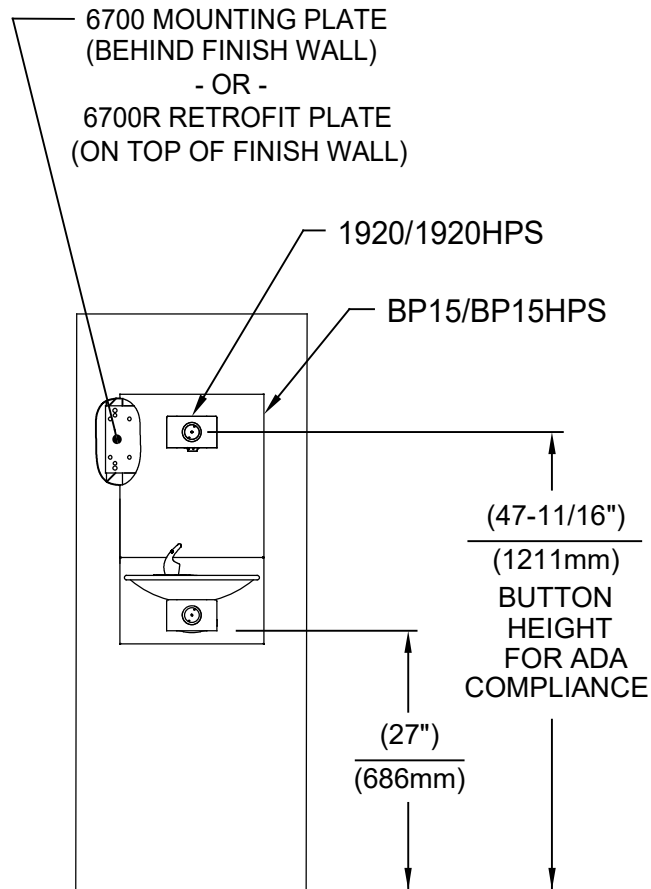
1. SEE SEPARATE INSTALLATION DRAWINGS FOR MOUNTING PLATES AND BACK PANELS (SHOWN FOR REFERENCE - NOT SUPPLIED).
2. WHEN INSTALLING THIS UNIT, LOCAL, STATE OR FEDERAL CODES SHOULD BE ADHERED TO FOR INSTALLATION LOCATIONS, WASTE & SUPPLY REQUIREMENTS OTHER THAN SHOWN.

		Haws [®]		1455 KLEPPE LANE SPARKS, NEVADA 89431 (775) 359-4712 FAX (775) 359-7424 E-MAIL: HAWS@HAWSO.COM WEBSITE: WWW.HAWSO.COM	
				ECN NO. 5081 ECN: 5893 FV	MODEL(S) 1920/1920HPS/1920W
DRAWN: DS DATE: 05/25/16 CHK'D: KM	APPROVED: FV DATE: 09/06/23	SCALE: N/A DRAWING TYPE: INSTALLATION	REVISION 11		
SHEET 1 OF 7		SIZE: A	SHEET 1 OF 7		

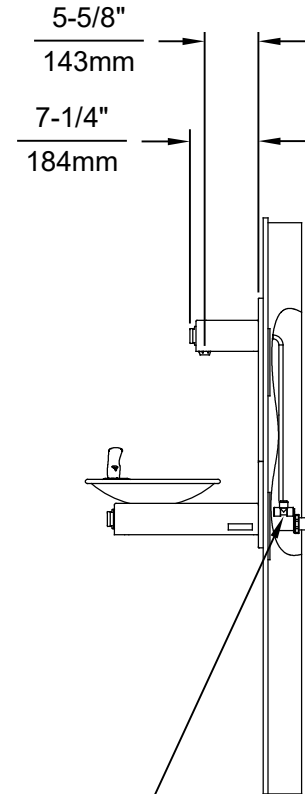
THIS DOCUMENT IS TRUE AND CORRECT AT TIME OF PUBLICATION. CONTINUED PRODUCT IMPROVEMENTS MAKE SPECIFICATIONS AND MEASUREMENTS SUBJECT TO CHANGE WITHOUT NOTICE.



INSTALLATION ABOVE HAWS 1011 & H1011.8 SERIES



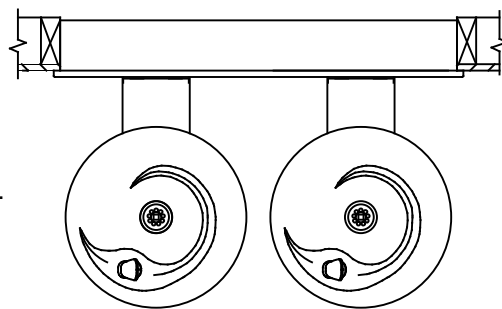
INSTALLATION ABOVE HAWS 1001 & H1001.8 SERIES



3/8" O.D. SUPPLY TUBING AND 3/8" O.D. PUSH-IN TEE SUPPLIED. (CONNECT TO FOUNTAIN SUPPLY LINE)

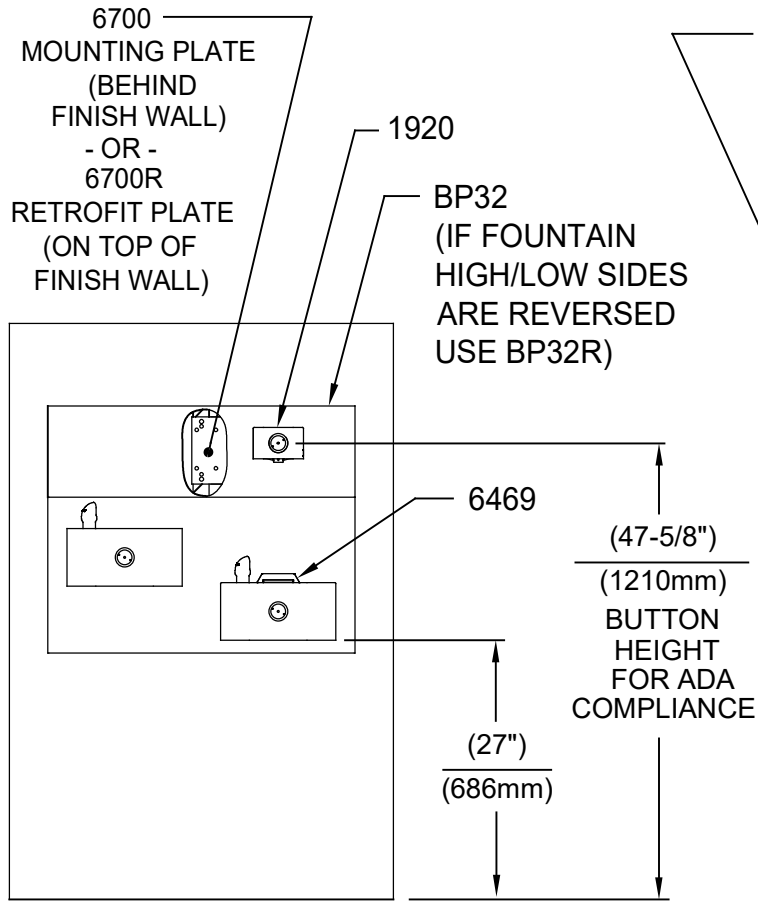
* IF YOUR FOUNTAIN IS THIS STYLE USE THESE DIMENSIONS

1. SEE SEPARATE INSTALLATION DRAWINGS FOR MOUNTING PLATES AND BACK PANELS (SHOWN FOR REFERENCE - NOT SUPPLIED).
2. WHEN INSTALLING THIS UNIT, LOCAL, STATE OR FEDERAL CODES SHOULD BE ADHERED TO FOR INSTALLATION LOCATIONS, WASTE & SUPPLY REQUIREMENTS OTHER THAN SHOWN.

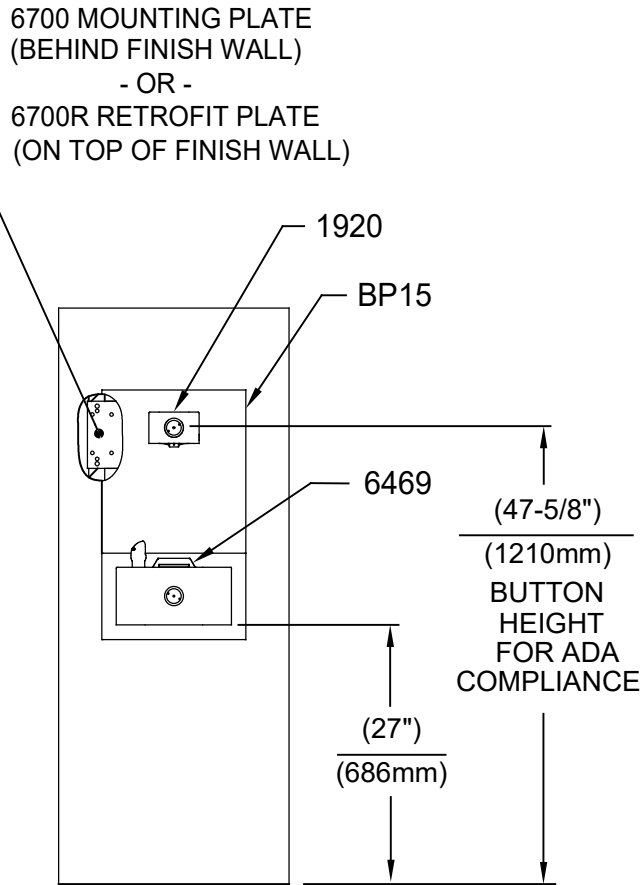


		1455 KLEPPE LANE SPARKS, NEVADA 89431 (775) 359-4712 FAX (775) 359-7424 E-MAIL: HAWS@HAWS.CO.COM WEBSITE: WWW.HAWS.CO.COM	
ECN NO: 5081	REVISED PER: ECN: 5893	BY: FV	MODEL(S) 1920/1920HPS/1920W
DRAWN: MJ	DATE: 01/30/17	CHK'D: KM	PART NUMBER 051000490.D
APPROVED: FV	DATE: 09/06/23	SCALE: N/A	REVISION 11
DRAWING TYPE: INSTALLATION		SIZE: A	SHEET 2 OF 7

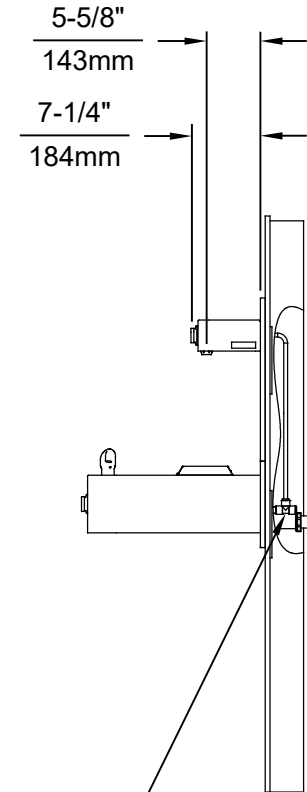
THIS DOCUMENT IS TRUE AND CORRECT AT TIME OF PUBLICATION. CONTINUED PRODUCT IMPROVEMENTS MAKE SPECIFICATIONS AND MEASUREMENTS SUBJECT TO CHANGE WITHOUT NOTICE.



INSTALLATION ABOVE HAWS 1119 & H1119.8 SERIES



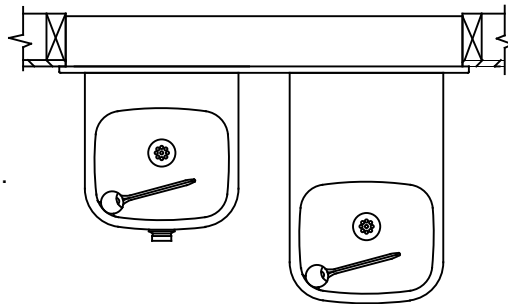
INSTALLATION ABOVE HAWS 1109 & H1109.8 SERIES



3/8" O.D. SUPPLY TUBING AND 3/8" O.D. PUSH-IN TEE SUPPLIED. (CONNECT TO FOUNTAIN SUPPLY LINE)

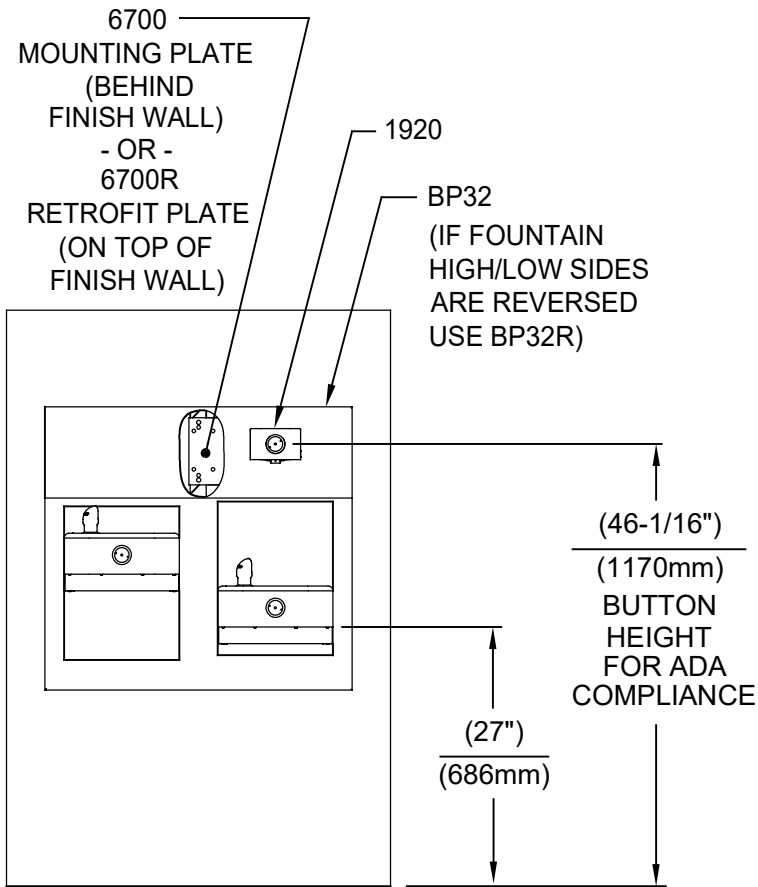
* IF YOUR FOUNTAIN IS THIS STYLE USE THESE DIMENSIONS

1. SEE SEPARATE INSTALLATION DRAWINGS FOR MOUNTING PLATES AND BACK PANELS (SHOWN FOR REFERENCE - NOT SUPPLIED).
2. WHEN INSTALLING THIS UNIT, LOCAL, STATE OR FEDERAL CODES SHOULD BE ADHERED TO FOR INSTALLATION LOCATIONS, WASTE & SUPPLY REQUIREMENTS OTHER THAN SHOWN.

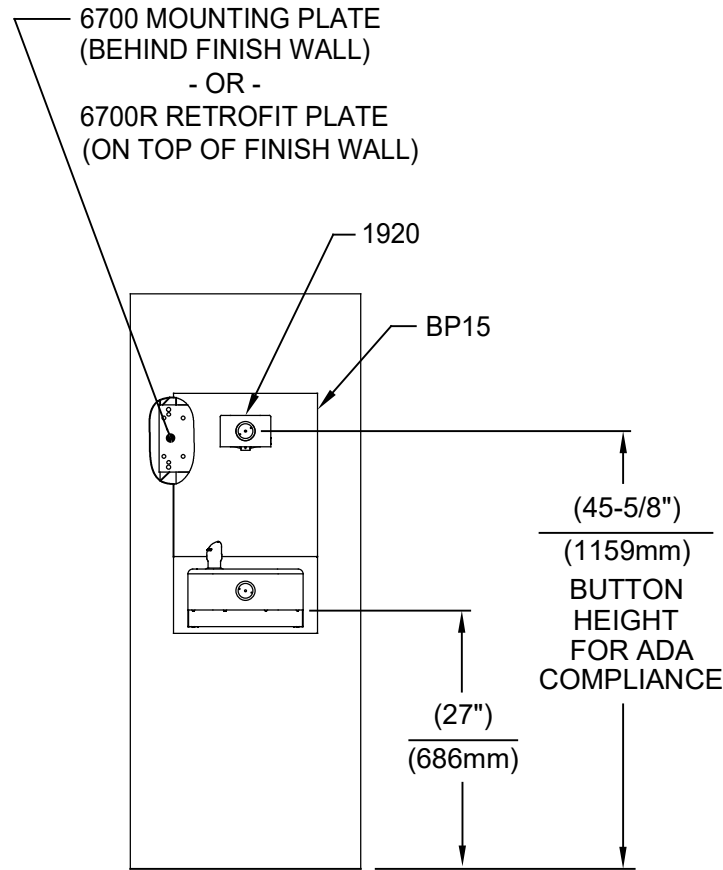


ECN NO. 5081		REVISED PER BY: ECN: 5893 FV		MODEL(S)		1455 KLEPPE LANE SPARKS, NEVADA 89431 (775) 359-4712 FAX (775) 359-7424 E-MAIL: HAWS@HAWS.CO.COM WEBSITE: WWW.HAWS.CO.COM	
DRAWN: MJ		DATE: 01/30/17		CHK'D: KM		PART NUMBER 051000490.D	
APPROVED: FV		DATE: 09/06/23		SCALE: N/A		DRAWING TYPE: INSTALLATION	
				SIZE: A		SHEET 3 OF 7	

THIS DOCUMENT IS TRUE AND CORRECT AT TIME OF PUBLICATION. CONTINUED PRODUCT IMPROVEMENTS MAKE SPECIFICATIONS AND MEASUREMENTS SUBJECT TO CHANGE WITHOUT NOTICE.



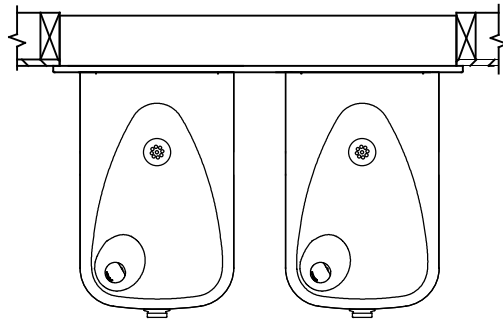
**INSTALLATION ABOVE HAWS 1117L (SHOWN),
H1117.8 & HO SERIES (NOT SHOWN)**



**INSTALLATION ABOVE HAWS 1107L (SHOWN)
& H1107.8 (NOT SHOWN)**

* IF YOUR FOUNTAIN IS THIS STYLE USE THESE DIMENSIONS

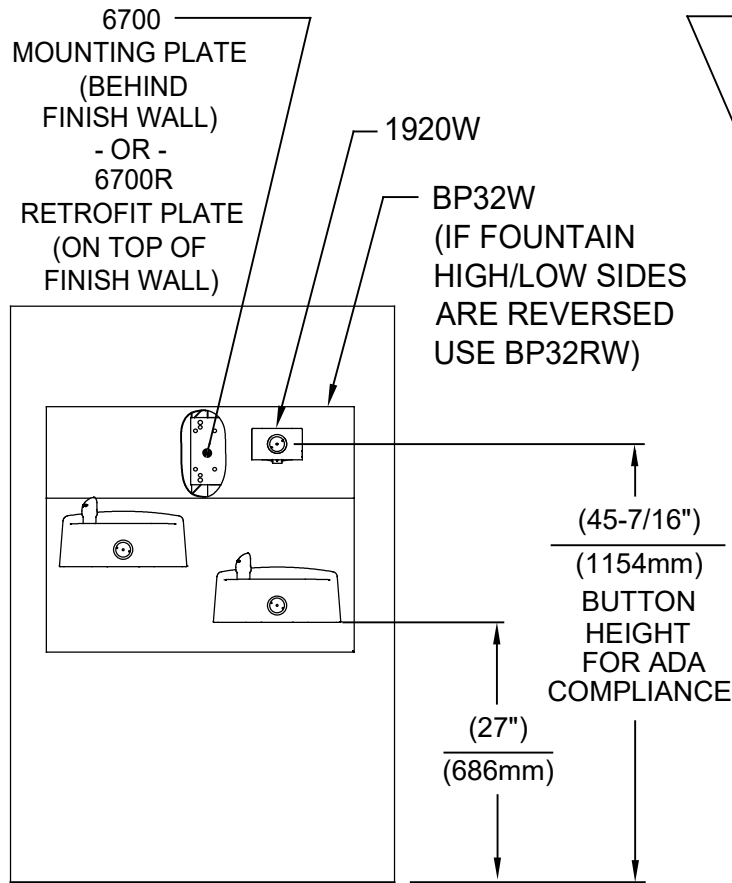
1. SEE SEPARATE INSTALLATION DRAWINGS FOR MOUNTING PLATES AND BACK PANELS (SHOWN FOR REFERENCE - NOT SUPPLIED).
2. WHEN INSTALLING THIS UNIT, LOCAL, STATE OR FEDERAL CODES SHOULD BE ADHERED TO FOR INSTALLATION LOCATIONS, WASTE & SUPPLY REQUIREMENTS OTHER THAN SHOWN.



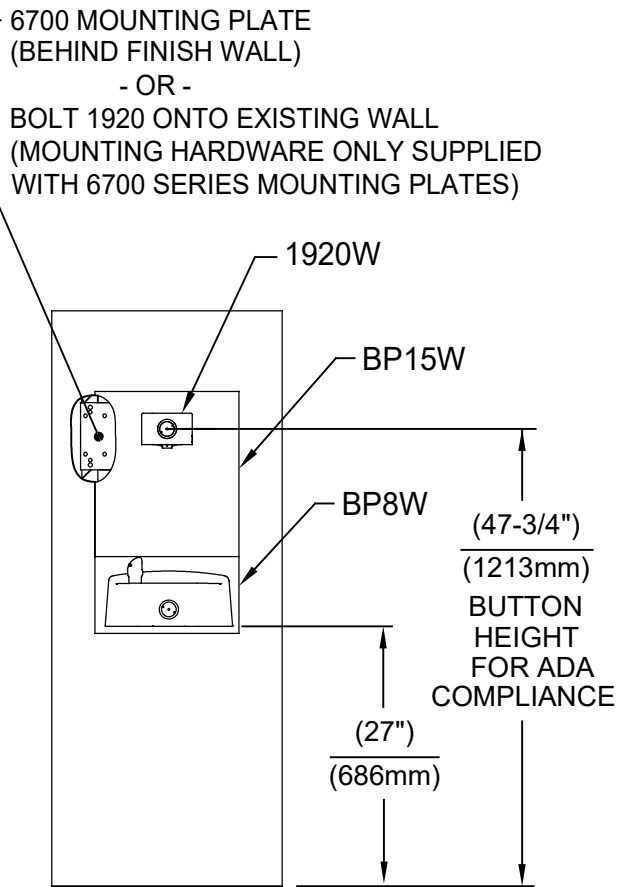
3/8" O.D. SUPPLY TUBING AND 3/8" O.D. PUSH-IN TEE SUPPLIED. (CONNECT TO FOUNTAIN SUPPLY LINE)

		1455 KLEPPE LANE SPARKS, NEVADA 89431 (775) 359-4712 FAX (775) 359-7424 E-MAIL: HAWS@HAWS.CO.COM WEBSITE: WWW.HAWS.CO.COM	
ECN NO: 5081 DRAWN: MJ APPROVED: FV	REVISED PER BY: FV ECN: 5893 DATE: 01/30/17 DATE: 09/06/23	MODEL(S) 1920/1920HPS/1920W	PART NUMBER 0510000490.D REVISION 11
SCALE: N/A		DRAWING TYPE: INSTALLATION	SIZE: A SHEET 4 OF 7

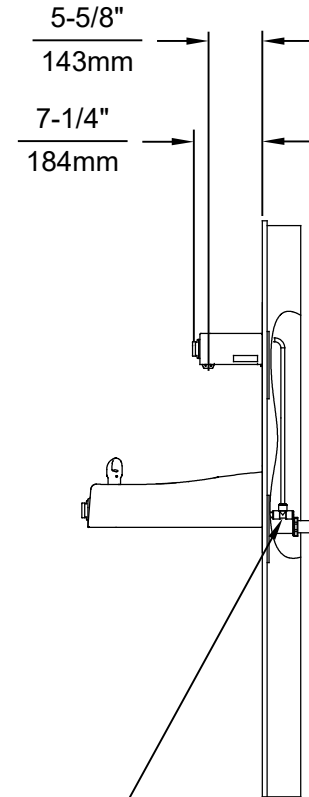
THIS DOCUMENT IS TRUE AND CORRECT AT TIME OF PUBLICATION. CONTINUED PRODUCT IMPROVEMENTS MAKE SPECIFICATIONS AND MEASUREMENTS SUBJECT TO CHANGE WITHOUT NOTICE.



INSTALLATION ABOVE HAWS 1501



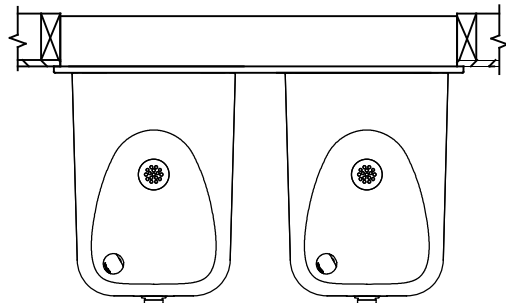
INSTALLATION ABOVE HAWS 1311



3/8" O.D. SUPPLY TUBING AND 3/8" O.D. PUSH-IN TEE SUPPLIED. (CONNECT TO FOUNTAIN SUPPLY LINE)

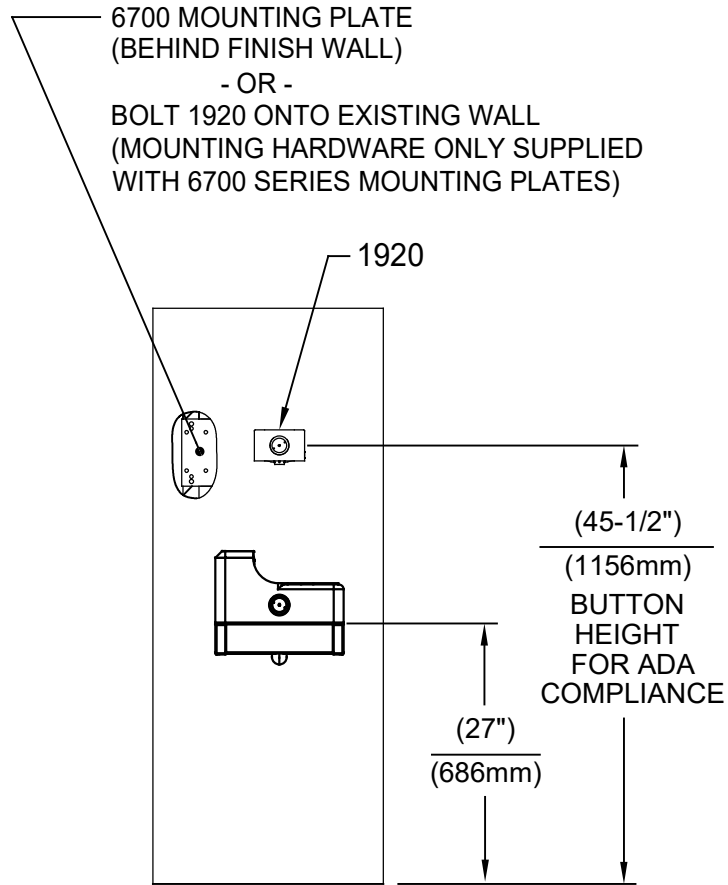
* IF YOUR FOUNTAIN IS THIS STYLE USE THESE DIMENSIONS

1. SEE SEPARATE INSTALLATION DRAWINGS FOR MOUNTING PLATES AND BACK PANELS (SHOWN FOR REFERENCE - NOT SUPPLIED).
2. WHEN INSTALLING THIS UNIT, LOCAL, STATE OR FEDERAL CODES SHOULD BE ADHERED TO FOR INSTALLATION LOCATIONS, WASTE & SUPPLY REQUIREMENTS OTHER THAN SHOWN.

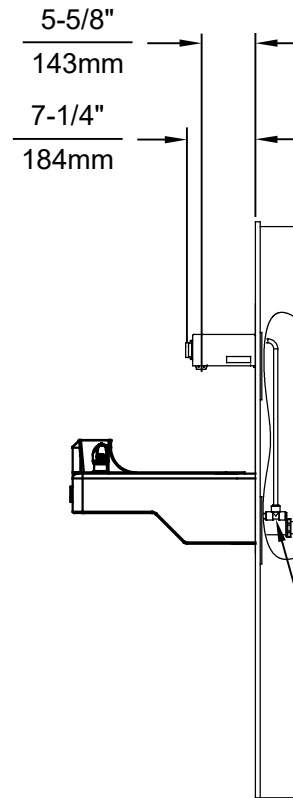


		1455 KLEPPE LANE SPARKS, NEVADA 89431 (775) 359-4712 FAX (775) 359-7424 E-MAIL: HAWS@HAWS.CO.COM WEBSITE: WWW.HAWS.CO.COM	
ECN NO. 5081	REVISED PER BY: ECN: 5893 FV	MODEL(S)	PART NUMBER
DRAWN: MJ	DATE: 02/13/17	CHKD: KM	1920/1920HPS/1920W
APPROVED: FV	DATE: 09/06/23	SCALE: N/A	051000490.D
DRAWING TYPE: INSTALLATION		SIZE: A	REVISION: 11
SHEET 5 OF 7			

THIS DOCUMENT IS TRUE AND CORRECT AT TIME OF PUBLICATION. CONTINUED PRODUCT IMPROVEMENTS MAKE SPECIFICATIONS AND MEASUREMENTS SUBJECT TO CHANGE WITHOUT NOTICE.



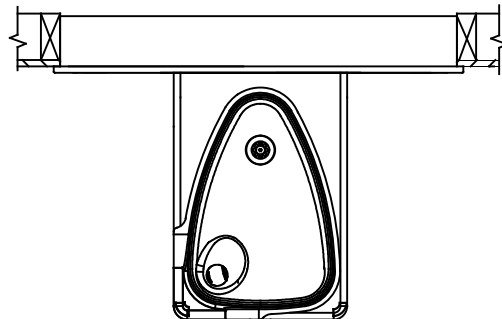
INSTALLATION ABOVE HAWS 1047



3/8" O.D. SUPPLY TUBING AND 3/8" O.D. PUSH-IN TEE SUPPLIED. (CONNECT TO FOUNTAIN SUPPLY LINE)

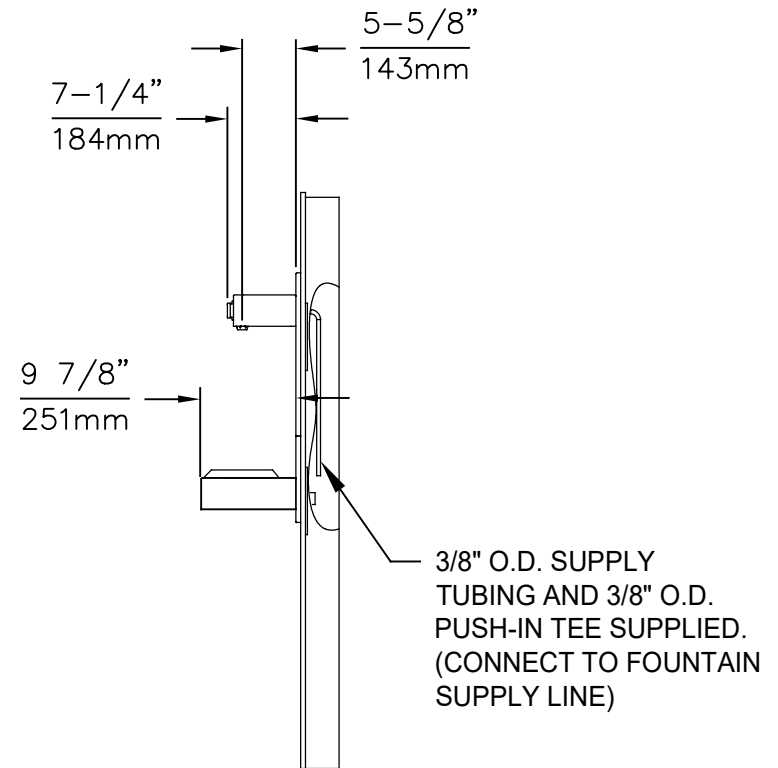
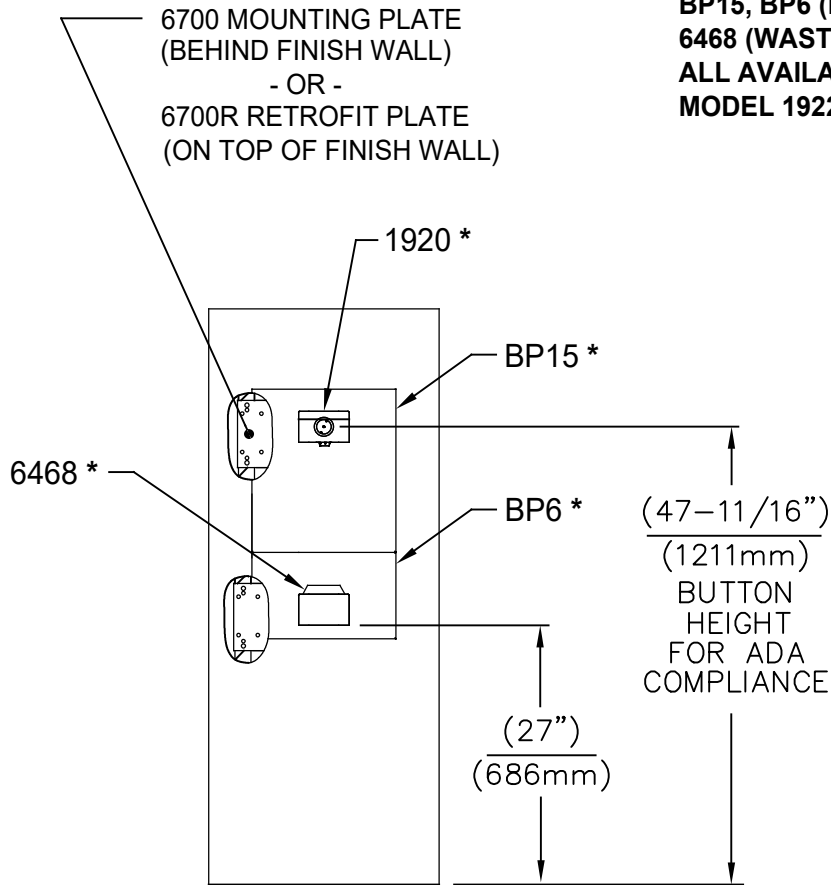
* IF YOUR FOUNTAIN IS THIS STYLE USE THESE DIMENSIONS

1. SEE SEPARATE INSTALLATION DRAWINGS FOR MOUNTING PLATES AND BACK PANELS (SHOWN FOR REFERENCE - NOT SUPPLIED).
2. WHEN INSTALLING THIS UNIT, LOCAL, STATE OR FEDERAL CODES SHOULD BE ADHERED TO FOR INSTALLATION LOCATIONS, WASTE & SUPPLY REQUIREMENTS OTHER THAN SHOWN.



		1455 KLEPPE LANE SPARKS, NEVADA 89431 (775) 359-4712 FAX (775) 359-7424 E-MAIL: HAWS@HAWS.CO.COM WEBSITE: WWW.HAWS.CO.COM	
ECN NO. 5220	REVISED PER ECN: 5893	BY: FV	MODEL(S) 1920/1920HPS/1920W
DRAWN: JP	DATE: 09/14/17	CHK'D: KM	PART NUMBER 051000490.D
APPROVED: FV	DATE: 09/06/23	SCALE: N/A	REVISION 11
DRAWING TYPE: INSTALLATION		SIZE: A	SHEET 6 OF 7

*** MODELS 1920 (BOTTLE FILLER),
BP15, BP6 (BACK PANELS) AND
6468 (WASTE DRIP TRAY) ARE
ALL AVAILABLE TOGETHER AS
MODEL 1922.**



INSTALLATION ABOVE 6468

1. SEE SEPARATE INSTALLATION DRAWINGS FOR MOUNTING PLATE, WASTE DRIP TRAY AND BACK PANELS (SHOWN FOR REFERENCE - NOT SUPPLIED).
2. WHEN INSTALLING THIS UNIT, LOCAL, STATE OR FEDERAL CODES SHOULD BE ADHERED TO FOR INSTALLATION LOCATIONS, WASTE & SUPPLY REQUIREMENTS OTHER THAN SHOWN.

			1455 KLEPPE LANE SPARKS, NEVADA 89431 (775) 359-4712 FAX (775) 359-7424 E-MAIL: HAWS@HAWS.CO.COM WEBSITE: WWW.HAWS.CO.COM		
			ECN NO: 5607 DRAWN: DP APPROVED: FV	REVISED PER: ECN: 5893 DATE: 10/27/20 DATE: 09/06/23	BY: FV CHK'D: KM
SCALE: N/A			DRAWING TYPE: INSTALLATION	SIZE: A SHEET 7 OF 7	