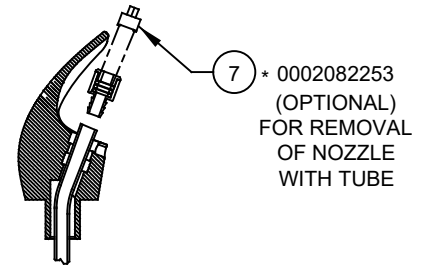
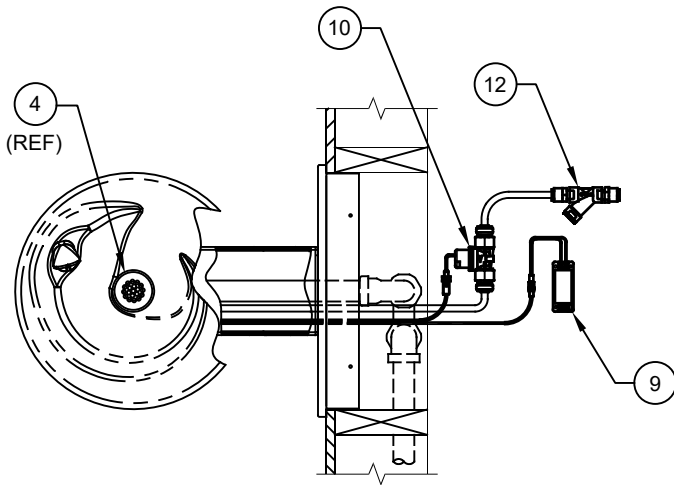


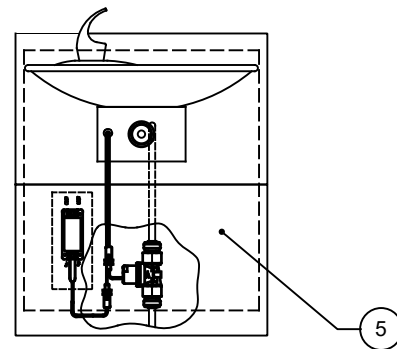
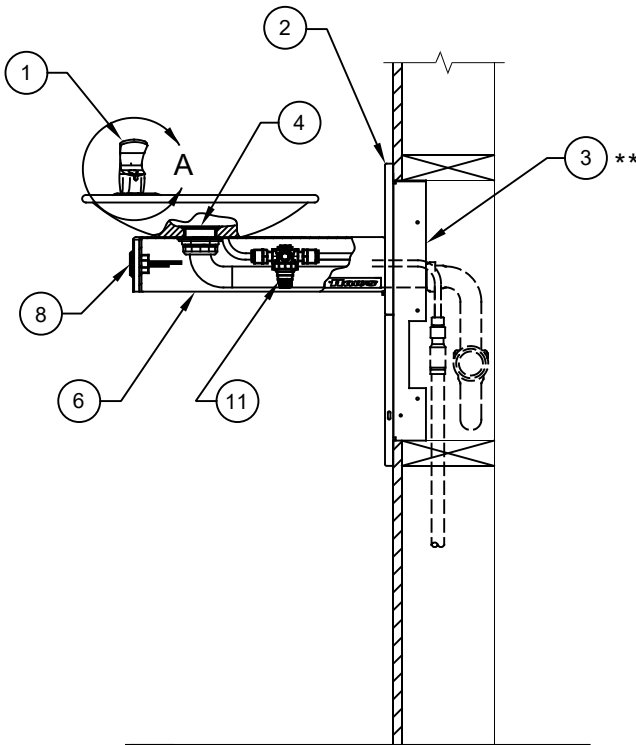
ITEM	DESCRIPTION	1011MSHO	
1	BUBBLER HEAD, PCP	5705	
2	PANEL, BACK, F/ SATIN SWIRL	BP6	
**	3	FRAME, MOUNTING	MTGFR.DF1
4	STRAINER, WASTE ASSEMBLY, SCP OR PCP	6463	
5	PANEL, ACCESS	6606	
6	PLATE, BOTTOM, F/1000	PBM1000	
*	7	DRIVER, NOZZLE, .25 HEX	0002082253
8	SENSOR	VRKHO6	
9	TRANSFORMER	VRKHO8	
10	SOLENOID VALVE	VRKHO5	
11	PRESSURE REGULATOR	5867	
12	Y-STRAINER	6433	

\* DENOTES OPTIONAL PART.  
 \*\* REQUIRED - SOLD SEPARATELY.




BUBBLER HEAD 5705  
 (TUBING CONNECTS TO  
 INSERT ASSY)

DETAIL A  
 ROTATED 90° INTO VIEW



# PARTS BREAKDOWN

WHEN ORDERING PARTS PLEASE SPECIFY MODEL NUMBER.

			1455 KLEPPE LANE SPARKS, NEVADA 89431 (775) 359-4712 FAX (775) 359-7424 E-MAIL: HAWS@HAWS.CO.COM WEBSITE: WWW.HAWS.CO.COM		
ECN NO.	REVISED PER	BY	MODEL(S)	PART NUMBER	
	ECN: 5733	FV	1001MSHO	0510002021	
DRAWN	DATE	CHKD		REVISION	
FV	09/28/21	BJM		1	
APPROVED	DATE		SCALE: 1:8	DRAWING TYPE: PARTS BREAKDOWN	
FV	09/30/21		SIZE: A	SHEET 1 OF 1	