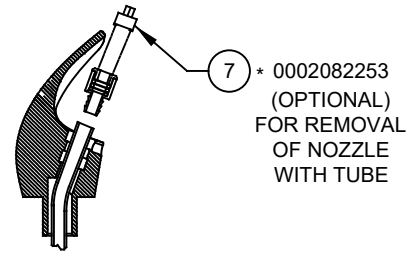
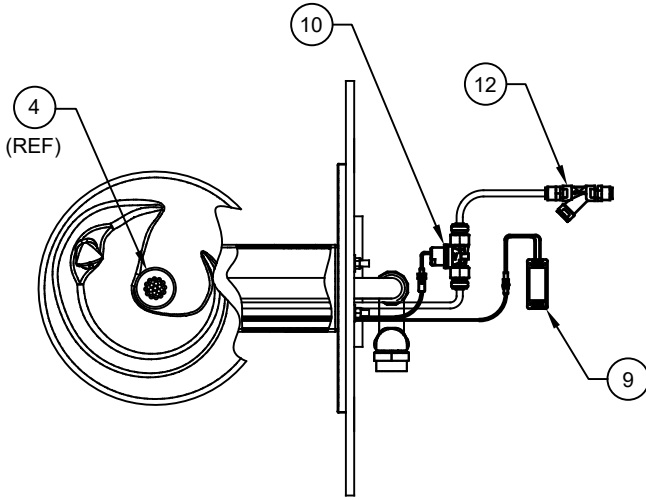


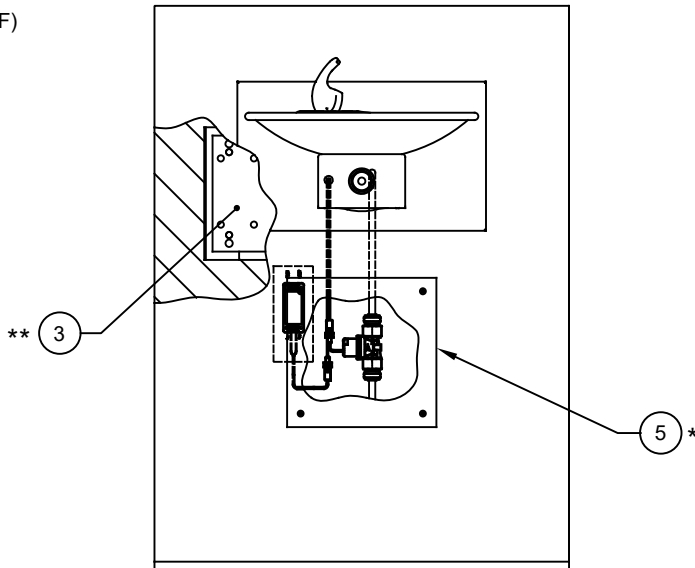
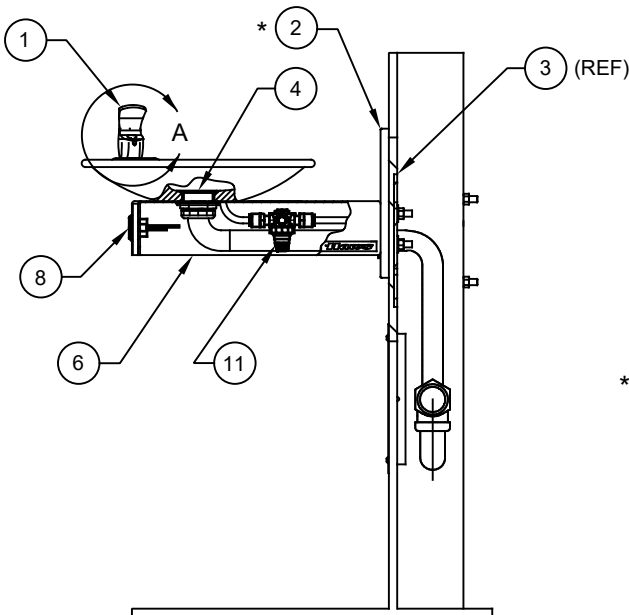
ITEM	DESCRIPTION	1011HO/O2
1	BUBBLER HEAD, PCP	5705
* 2	PANEL, BACK, F/ SATIN SWIRL	BP6
** 3	PLATE, MOUNTING	6700
4	STRAINER, WASTE ASSEMBLY	6463
* 5	PANEL, ACCESS, SS SATIN	6603
6	PLATE, BOTTOM, F/1000	PBM1000
7	DRIVER, NOZZLE, .25 HEX	0002082253
8	SENSOR	VRKHO6
9	TRANSFORMER	VRKHO8
10	SOLENOID VALVE	VRKHO5
11	PRESSURE REGULATOR	5867
12	Y-STRAINER	6433

\* DENOTES OPTIONAL PART.  
 \*\* REQUIRED - SOLD SEPARATELY




BUBBLER HEAD 5705  
 (TUBING CONNECTS TO  
 INSERT ASSY)

DETAIL A  
 ROTATED 90° INTO VIEW



# PARTS BREAKDOWN

 <b>Haws</b> ®		1455 KLEPPE LANE SPARKS, NEVADA 89431 (775) 359-4712 FAX (775) 359-7424 E-MAIL: HAWS@HAWSO.COM WEBSITE: WWW.HAWSO.COM	
ECN NO.	REVISED PER	BY	MODEL(S)
	ECN: 5733	FV	1001HO
DRAWN	DATE	CHKD	PART NUMBER
FV	09/28/21	BJM	0510002020
APPROVED	DATE		REVISION
FV	09/30/21		1
SCALE: 1:1	DRAWING TYPE: PARTS BREAKDOWN	SIZE: A	SHEET 1 OF 1

WHEN ORDERING PARTS PLEASE SPECIFY MODEL NUMBER.