



# INSTALLATION, OPERATION & MAINTENANCE INSTRUCTIONS

1455 Kleppe Lane ♦ Sparks, NV 89431-6467 ♦ (775) 359-4712 ♦ Fax (775) 359-7424  
E-mail: [haws@hawsco.com](mailto:haws@hawsco.com) ♦ website: [www.hawsco.com](http://www.hawsco.com)

No. 0510002021 (1)

## Model 1001MSHO Drinking Fountain

**NOTE TO INSTALLER: Please leave this information with the Maintenance Department.**

**CAUTION!** Prior to making any electrical connections, verify with a voltmeter that power from the service panel is **off**.

### LIMITED WARRANTY

*HAWS* warrants that all of its products are guaranteed against defective material or poor workmanship for a period of **one year from the date of shipment**. The foregoing notwithstanding, *HAWS* warrants certain specific products or components thereof for an adjusted period. A list of these excepted products and components and a description of their respective warranty terms may be found here: [www.hawsco.com/warranty](http://www.hawsco.com/warranty). *HAWS*' liability under this warranty shall be discharged by furnishing without charge F.O.B. *HAWS* factory any goods, or part thereof, which shall appear to the Company upon inspection to be of defective material or not of first-class workmanship, provided that a claim is made in writing to Company within a reasonable period after receipt of the product. Where claims for defects are made, the defective part or parts shall be delivered to the Company, prepaid, for inspection. *HAWS* shall not be liable for the cost of repairs, alterations or replacements, or the labor required to implement them, or for any expense connected therewith made by the owner or owner's agents, except upon written authority from *HAWS*. *HAWS* shall not be liable for any damages caused by defective materials or poor workmanship, except for replacements, as provided above. Buyer agrees that *HAWS* has made no other warranties either express or implied in addition to those above stated, except that of title with respect to any of the products or equipment sold hereunder and that *HAWS* shall not be liable for general, special, incidental, or consequential damages claimed to arise under the contract of sale.

Equipment manufactured by *HAWS* is warranted to function if installation and maintenance instructions provided are adhered to. The units also must be used for the purpose for which they were intended. Any *HAWS* emergency equipment is intended to supplement first-aid treatment. Due to widely varying conditions, *HAWS* cannot guarantee that the use of this emergency equipment will prevent serious injury or the aggravation of existing or prior injuries.

**EXCEPT AS EXPRESSLY STATED HEREIN, HAWS HEREBY DISCLAIMS ALL WARRANTIES, WHETHER EXPRESS OR IMPLIED, ARISING BY LAW OR OTHERWISE, INCLUDING WITHOUT LIMITATION, ANY IMPLIED WARRANTIES OF MERCHANTABILITY AND FITNESS FOR A PARTICULAR PURPOSE. THIS WARRANTY MAY NOT BE MODIFIED OR EXTENDED WITHOUT THE WRITTEN CONSENT OF HAWS. REMEDIES AND REPLACEMENTS STATED HEREIN ARE EXCLUSIVE. IN NO EVENT SHALL HAWS BE LIABLE FOR ANY SPECIAL, PUNITIVE, CONSEQUENTIAL OR INCIDENTAL DAMAGES TO ANY PERSON INCLUDING BUT NOT LIMITED TO DAMAGES FOR LOSS OF USE OR PROFITS, SUBSTITUTE PRODUCTS OR COSTS, PROPERTY DAMAGE, OR OTHER MONETARY LOSS.**

**SHOULD YOU EXPERIENCE DIFFICULTY WITH THE INSTALLATION OF THIS MODEL PLEASE CALL:**

**TECHNICAL SUPPORT: 1-800-766-5612**

**FOR CUSTOMER SERVICE: 1-888-640-4297**

**RECOMMENDED TOOLS:** Hack saw, pipe joint sealant, screwdriver, level, 12" adjustable wrench, 10" pipe wrench, 5/32" hex key wrench, 9/16", 1/2", 7/16" socket wrench or open-end wrench.

**LOCATION OF UNIT:** The Model 1001MSHO Drinking Fountain is a wheelchair accessible drinking water facility. The height dimensions shown, meet current ADA requirements. When installing this unit, local, state or federal codes should be adhered to. If height other than shown is required, then dimensions must be adjusted accordingly.

**SUPPLY LINE:** The minimum recommended line size is 1/2"IPS with 30-90 psi (2-6 ATM) flowing pressure. Where sediment or mineral content is a problem, an inlet filter is recommended.

**PLUMBING CONNECTIONS:** Inlet is 3/8" O.D. push-in type fitting. Waste outlet is 1-1/4" O.D. tube.

**ELECTRICAL CONNECTIONS:** Drinking Fountain may be mounted on external wall of building provided transformer shall be mounted inside the wall and protected from water per NEC/CEC and local code.

**Sensor:**

1001MSHO with 1RKHO.H: 100-277VAC x 9VDC, 50-60Hz, 5 Watts

**MAINTENANCE:** Periodically clean out the supply line Y-strainer

## INSTALLATION PROCEDURE

### GENERAL NOTES:

1. For all plastic push-in type fitting connections, only connect NSF-61 copper or plastic tubing. Stainless steel or glass tubing is not recommended. The following assembly instructions must be followed to ensure a watertight connection:
  - a. Cut tubing square and clean.
  - b. Mark from end of tube the length of insertion (See table below).
  - c. Push tube into the fitting until it bottoms out.
  - d. To remove, depress collet and pull tubing out.

Tube Sizes	O.D. Tolerance	Insertion Depth
3/8"	±.005"	3/4"

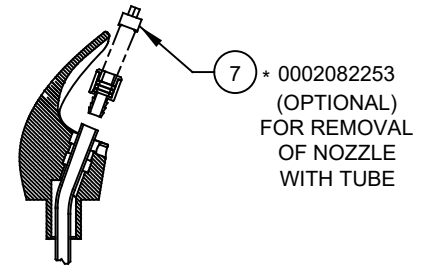
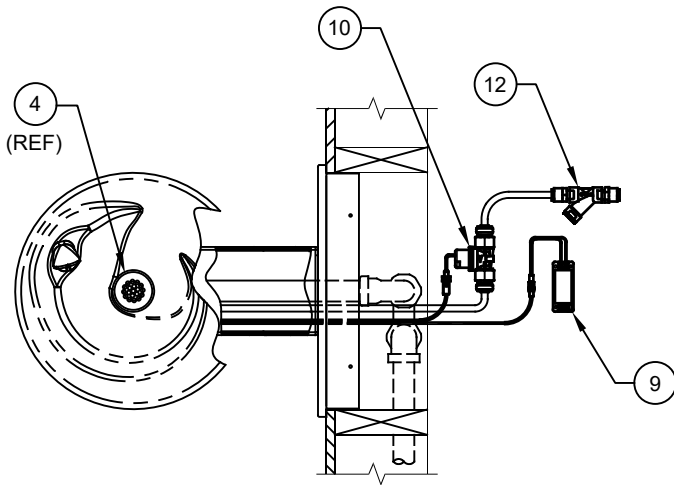
2. Refer to 1001HO Operation and Maintenance manual for additional installation instructions (supplied). Refer to 1RKHO.H manual for Transformer & Sensor Setup instructions (supplied).

<b>VALVE TROUBLESHOOTING</b>	
<b>PROBLEM</b>	<b>REPAIR CHECKLIST</b>
1. Insufficient bubbler flow.	<ol style="list-style-type: none"> <li>1a. Check that inlet screwdriver stop valve (not supplied) is in wide-open position.</li> <li>b. Verify minimum 30 psi flowing supply pressure.</li> <li>c. Clean strainer. See 5874 Series Valve Manual.</li> <li>d. Clean screens (inside nozzle body). Unscrew nozzle insert and very gently activate water supply to pop out qty. 3 screens (be careful not to lose screens). Remove any debris clogging the screen openings and place back into nozzle body. Reassemble nozzle insert.</li> </ol>

For more information about Haws products, see our website: [www.hawsc.com](http://www.hawsc.com)

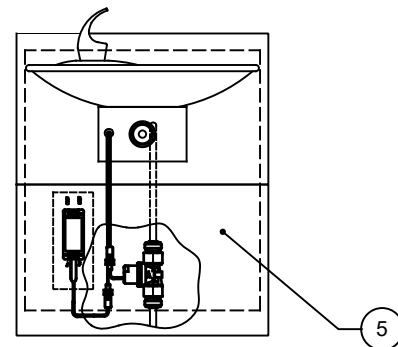
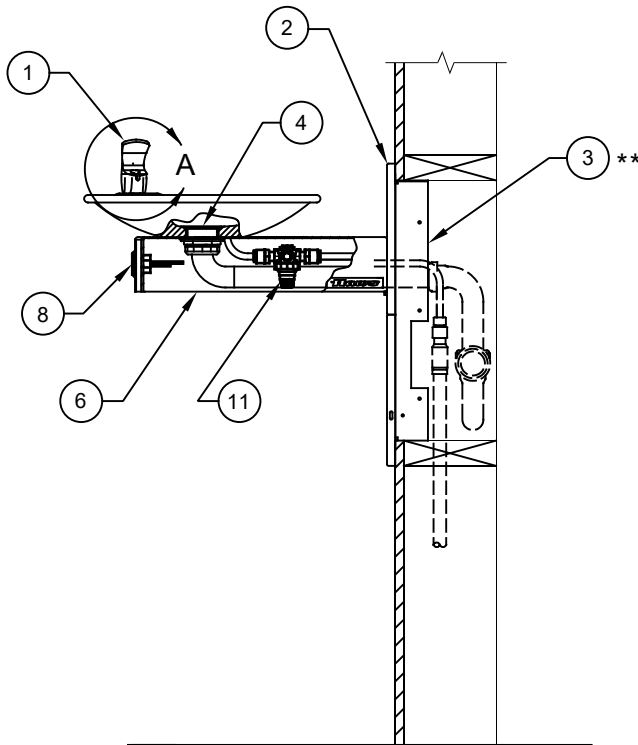
ITEM	DESCRIPTION	1011MSHO	
1	BUBBLER HEAD, PCP	5705	
2	PANEL, BACK, F/ SATIN SWIRL	BP6	
**	3	FRAME, MOUNTING	MTGFR.DF1
4	STRAINER, WASTE ASSEMBLY, SCP OR PCP	6463	
5	PANEL, ACCESS	6606	
6	PLATE, BOTTOM, F/1000	PBM1000	
*	7	DRIVER, NOZZLE, .25 HEX	0002082253
8	SENSOR	VRKHO6	
9	TRANSFORMER	VRKHO8	
10	SOLENOID VALVE	VRKHO5	
11	PRESSURE REGULATOR	5867	
12	Y-STRAINER	6433	

\* DENOTES OPTIONAL PART.  
 \*\* REQUIRED - SOLD SEPARATELY.




BUBBLER HEAD 5705  
 (TUBING CONNECTS TO  
 INSERT ASSY)

DETAIL A  
 ROTATED 90° INTO VIEW



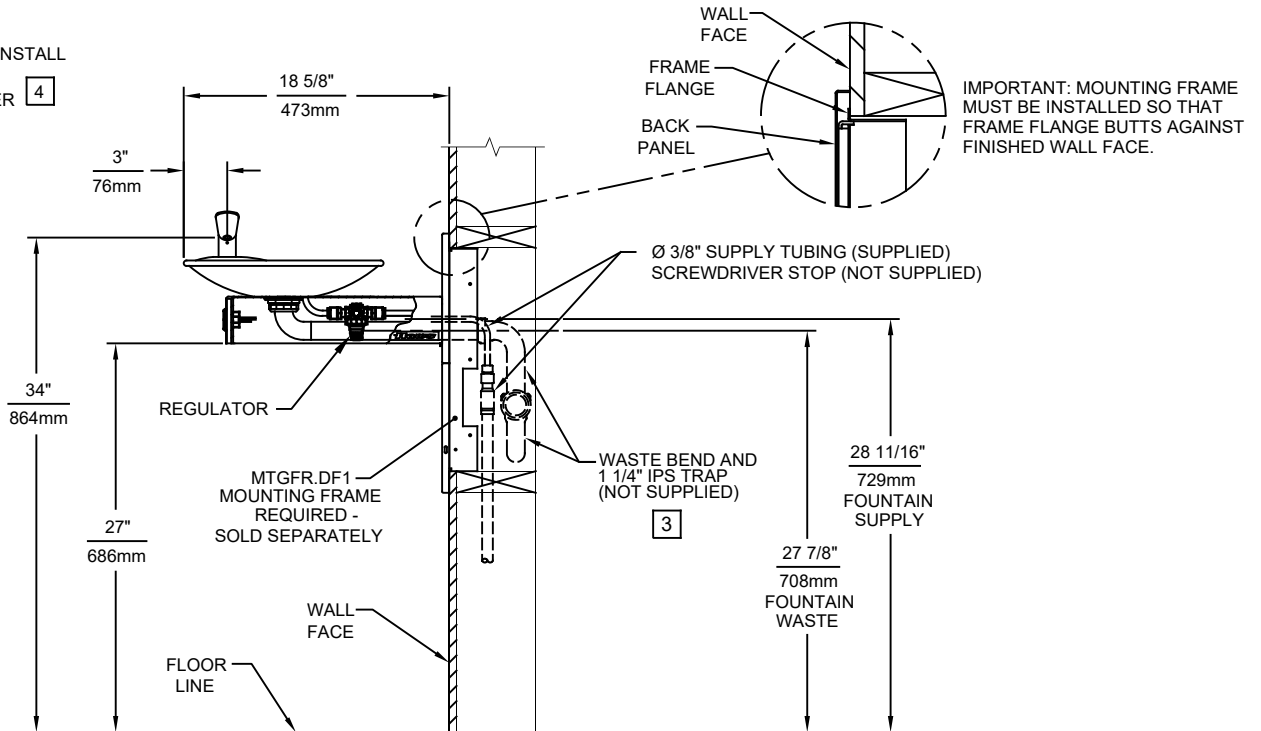
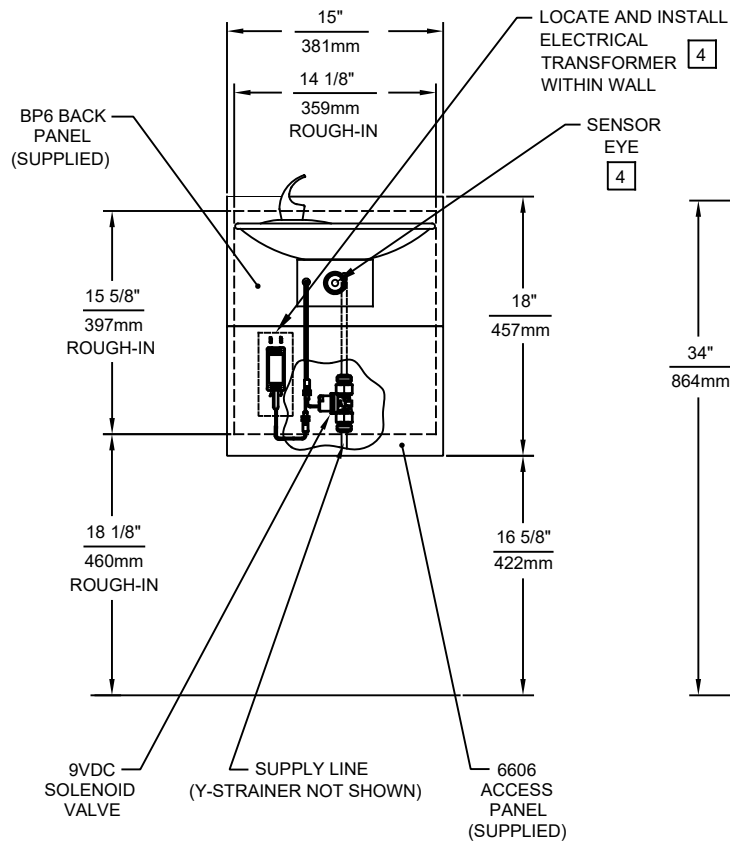
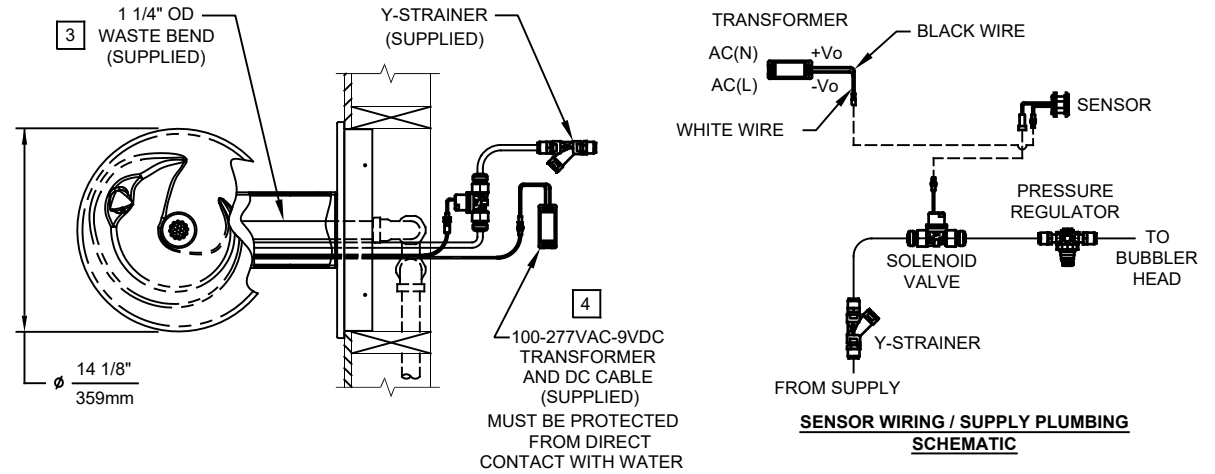
# PARTS BREAKDOWN

WHEN ORDERING PARTS PLEASE SPECIFY MODEL NUMBER.

			1455 KLEPPE LANE SPARKS, NEVADA 89431 (775) 359-4712 FAX (775) 359-7424 E-MAIL: HAWS@HAWS.CO.COM WEBSITE: WWW.HAWS.CO.COM		
ECN NO.	REVISED PER	BY	MODEL(S)	PART NUMBER	
	ECN: 5733	FV	1001MSHO	0510002021	
DRAWN	DATE	CHKD		REVISION	
FV	09/28/21	BJM		1	
APPROVED	DATE				
FV	09/30/21				
SCALE: 1:8			DRAWING TYPE: PARTS BREAKDOWN	SIZE: A SHEET 1 OF 1	

**NOTES:**

1. HOLD ROUGH-IN DIMENSIONS  $\pm 1/8"$  (3.2mm).
2. WHEN INSTALLING THIS UNIT, LOCAL, STATE, OR FEDERAL CODES SHOULD BE ADHERED TO FOR INSTALLATION DIMENSIONS (LOCATIONS), WASTE AND SUPPLY REQUIREMENTS OTHER THAN SHOWN.
3. INSTALLER MUST PROVIDE TRAP FOR PROPER INSTALLATION.
4. REFER TO 1RKHO.H OPERATION AND MAINTENANCE INSTRUCTIONS FOR TRANSFORMER AND SENSOR SETUP.



**Haws**

1455 KLEPPE LANE  
SPARKS, NEVADA 89431  
(775) 359-4712 FAX (775) 359-7424  
E-MAIL: HAWS@HAWS.CO.COM  
WEBSITE: WWW.HAWS.CO.COM

ECN NO.	REVISED PER	BY:	MODEL(S)	PART NUMBER
	ECN: 5733	FV		0510002021.D
DRAWN:	DATE:	CHKD.:	1001MSHO	REVISION
FV	09/28/21	BJM		1
APPROVED:	DATE:	SCALE:	DRAWING TYPE:	SIZE:
FV	09/30/21	1:14	INSTALLATION	A

SHEET 1 OF 1