



Haws®

model 1435HO-1920WHO

Vandal-Resistant Enameled Iron Motion-Activated Fountain and Bottle Filler

FEATURES & BENEFITS

CONSTRUCTION

Heavy-duty cast iron bowl with a glossy white enamel finish is designed for the toughest of applications, and at the same time is gentle to all users with its soft rounded corners. Unit also ships with vandal-resistant bottom plates to provide added peace of mind.

INTEGRATED TRAP

All cast brass 1-1/4" NPT adjustable traps completely concealed inside bottom plates for easy installation and lack of unwanted access.

HIGH CAPACITY BASIN

Combined low profile design and the use of three bubblers supply the needs of many, which is perfect for schools and other high traffic areas.

BUBBLER HEADS

Polished chrome-plated brass bubbler heads with integral 11/16" dia. basin shank and stainless anti-rotation roll pin for vandal resistance strength. Shielded, angled stream opening provides a steady, sanitary source of drinking water at .45 gpm.

FOUNTAIN VALVES

Fountain incorporates touchless sensor operated stainless steel solenoid valves controlled by a transformer for handsfree operation. A pressure regulator is used to adjust the bubbler flow according to incoming water pressures.

BOTTLE FILLER

14-gauge Type 304 stainless steel bottle filler housing with touchless sensor operation and 1 gpm (3.78 L) laminar flow with 30-second obstruction time-out.

VANDAL-RESISTANT

The bubbler heads, drain strainer and bottom plates are locked in place, discouraging unwanted vandal tampering.

OPTIONS

Water Filter: Model 6426, 10" x 2" (25.4 x 5.1 cm), in-line lead removal element that reduces lead from incoming water supply.

Remote Drinking Fountain Water chiller: Model HCR8, 8 gph (30.3 L) remote water chiller provides instantaneous cooling to meet a continuous demand for chilled water.

For more information, visit www.hawsc.com or call (888) 640-4297.



REQUIRED MODELS

1435HO / 1920WHO

Order these items to make up Model 1435HO-1920HO white enameled-iron three bubbler touchless drinking fountain and bottle filler shown above.

FOR INDOOR USE ONLY

SPECIFICATIONS

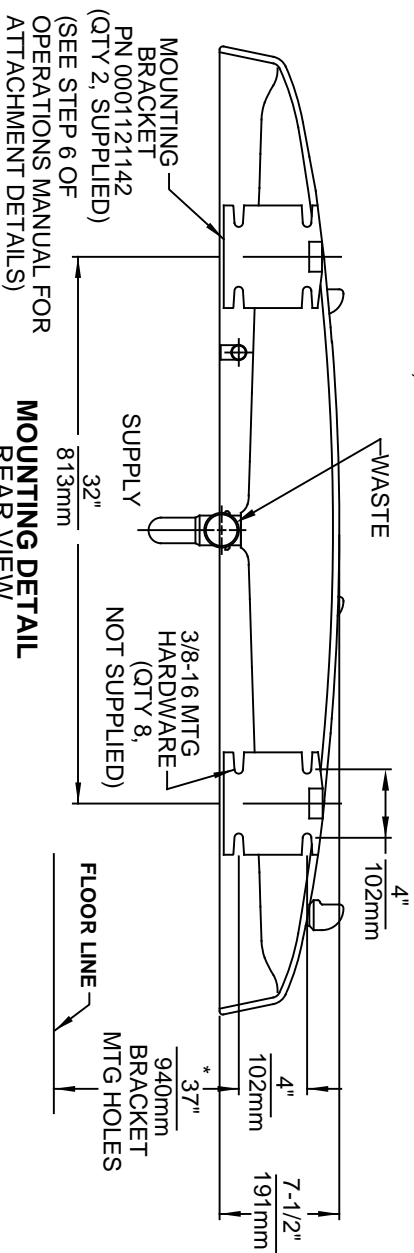
Model 1435HO-1920WHO vandal-resistant wall mounted touchless drinking fountain and bottle filler shall include a white enameled-iron basin mounted with twin galvanized cast-iron wall brackets, touchless sensor operated stainless steel solenoid valves with 30-second obstruction time-out controlled by a transformer, 100% lead-free waterways, triple polished chrome-plated brass vandal resistant bubbler heads, 1 gpm (3.78 L) laminar flow bottle filler, polished chrome-plated brass vandal-resistant waste strainer, vandal-resistant bottom plate, and chrome-plated 1-1/2" NPT trap. CSA certified lead-free to NSF/ANSI/CAN 61-Section 9, NSF/ANSI/CAN 372, California Proposition 65, and the Federal Safe Drinking Water Act. Product is compliant to California Health and Safety Code 116875 (AB 1953-2006), and NSF/ANSI/CAN 61: Q ≤ 1.



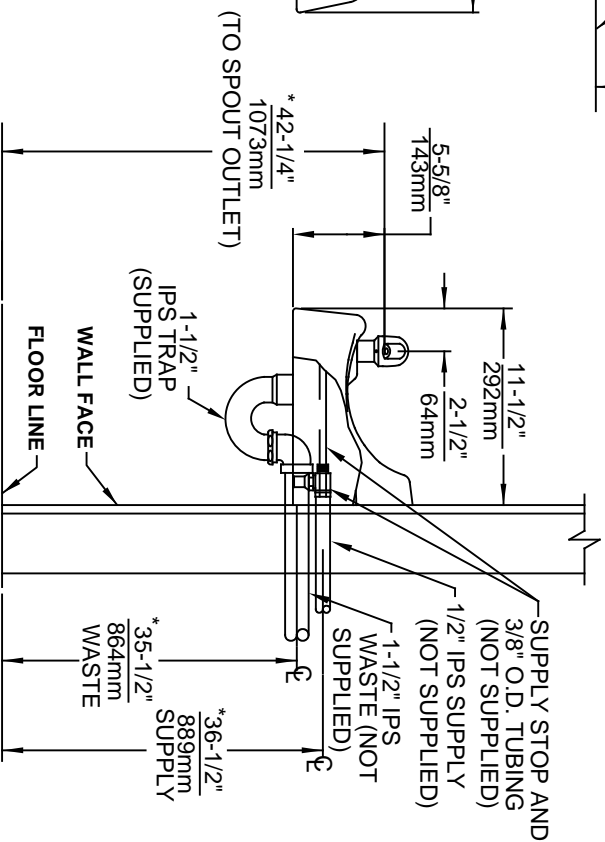
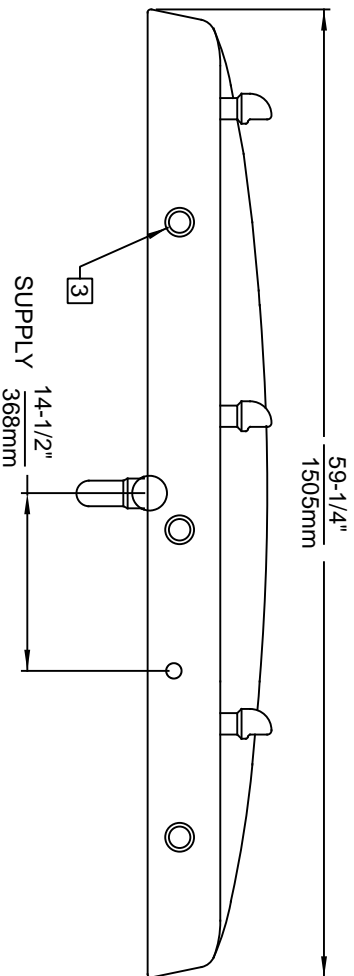
NOTES:

1. ROUGH-IN DIMENSIONS MAY VARY ±1/4" (6.4mm)
2. WHEN INSTALLING THIS UNIT LOCAL, STATE OR FEDERAL CODES SHOULD BE ADHERED TO. FOR INSTALLATION HEIGHTS OTHER THAN SHOWN, DIMENSIONS MARKED (*) MUST BE ADJUSTED ACCORDINGLY.
- 3 REFER TO 5874 SERIES OPERATION AND MAINTENANCE MANUAL FOR PUSH BUTTON AND VALVE INSTALLATION/MAINTENANCE INSTRUCTIONS.

(NOTES CONTINUED ON SHEET 2 OF 2)



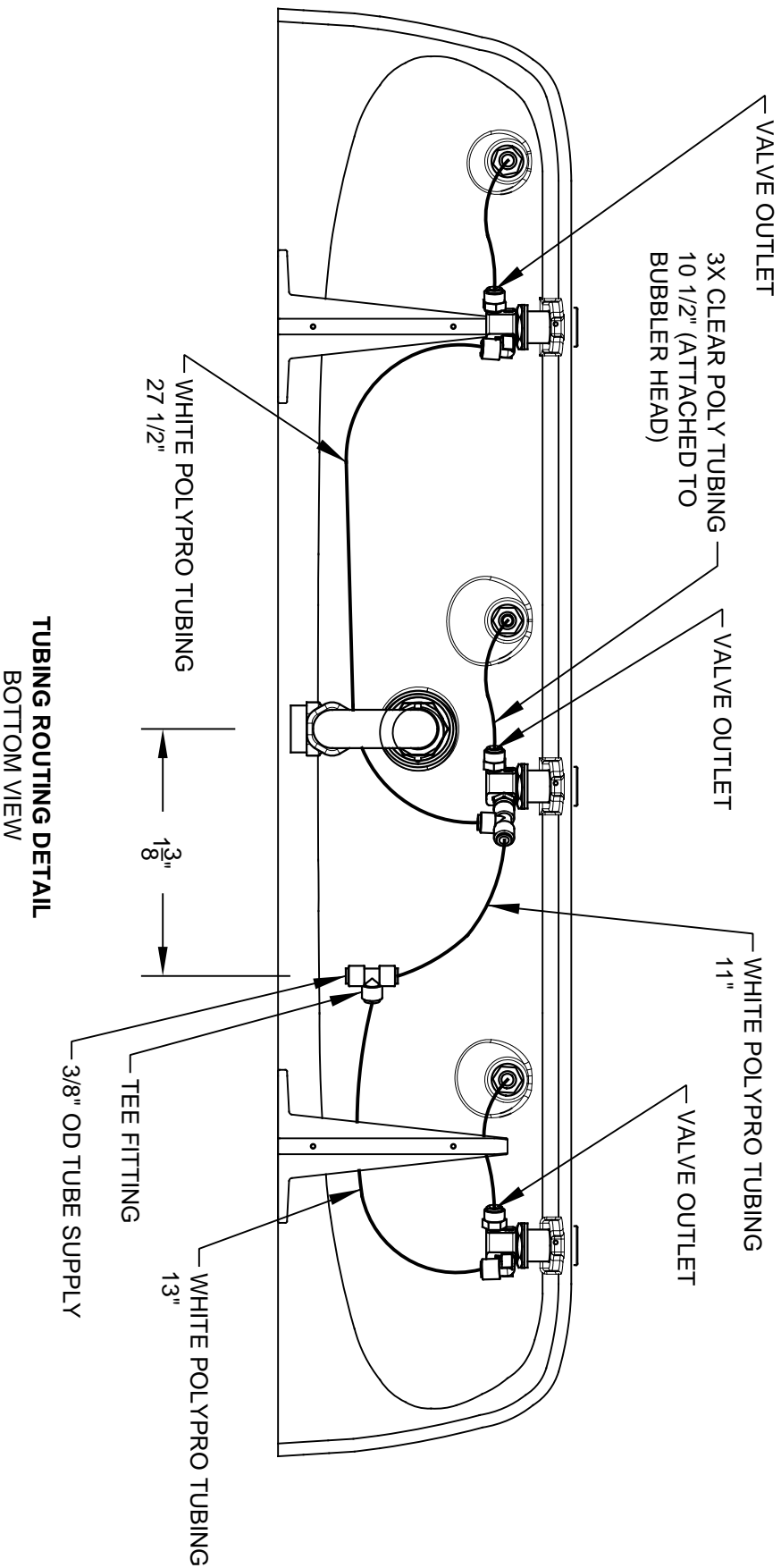
MOUNTING DETAIL REAR VIEW



		MODEL(S)	
1435		THREE BUBBLER FOUNTAIN	
1456 KLEPPE LANE SPARKS, NEVADA 89431 (775) 359-4712 FAX (775) 359-7424 E-MAIL: HAWWS@HAWSCO.COM WEBSITE: WWW.HAWSCO.COM		PART NUMBER 0002076860.D	
ECN NO. REVISED PER BY: .		SCALE: 1:11 DRAWING TYPE: INSTALLATION	
DRAWN: C.L.		SIZE: A SHEET 1 OF 2	
DATE: 01-01-91		REVISION: 17	
CHKD: J.P.			
DATE: 07/08/17			
APPROVED: F.V.			

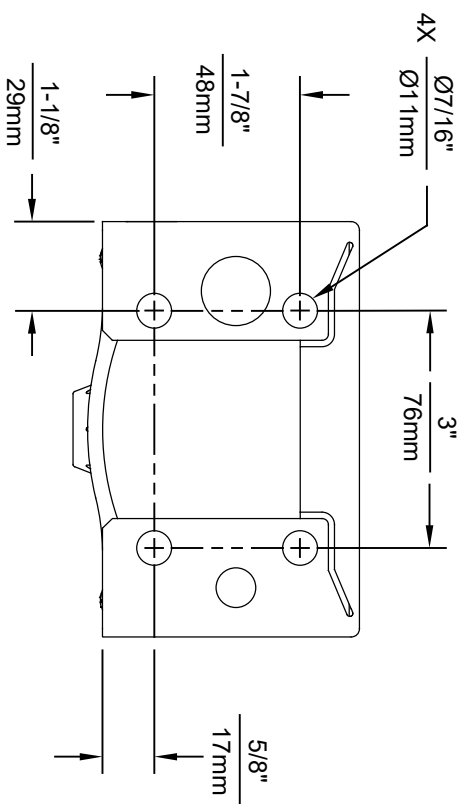
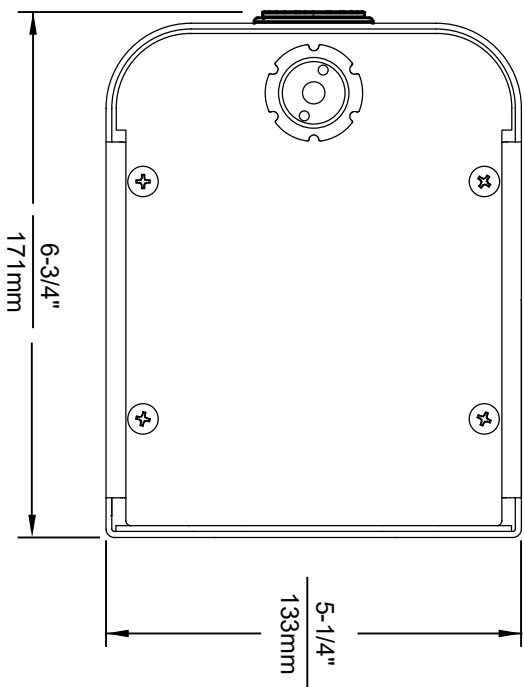
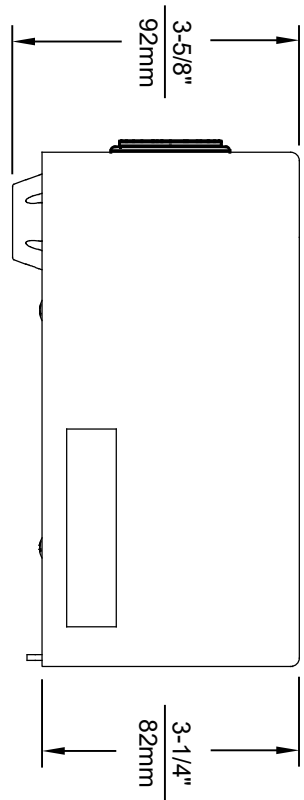
NOTES: (CONTINUED)

4. CONNECT WHITE "POLYPROPYLENE" TUBING ON PRESSURE SIDE (INLET) OF VALVE.
5. CONNECT CLEAR "POLYETHYLENE" TUBING ON FREE FLOW SIDE (VALVE TO BUBBLER HEAD) ONLY.

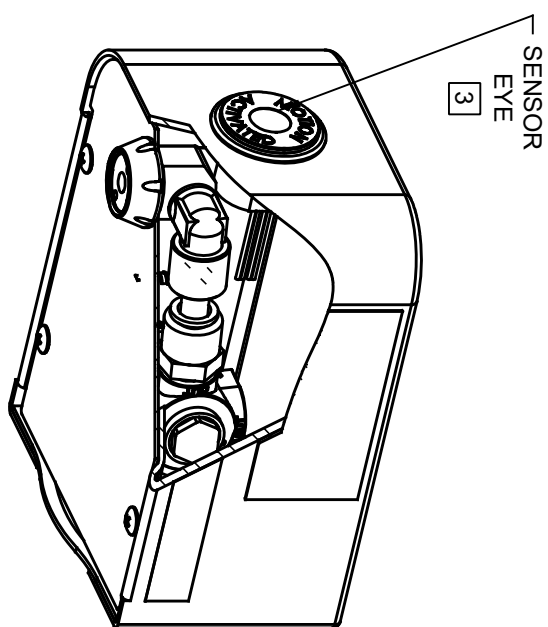


**TUBING ROUTING DETAIL
BOTTOM VIEW**

		Haws	
1459 KLEPPE LANE SPARKS, NEVADA, 89431 (775) 359-4712 FAX (775) 359-7424 E-MAIL: HAWS@HAWSCO.COM WEBSITE: WWW.HAWSCO.COM			
ECN NO. REVISED PER BY:	MODEL(S)	1435/1435HO	
5188	DATE:	CHK'D:	JP
11-01-91	VWC		
APPROVED:	SCALE:	DRAWING TYPE:	INSTALLATION:
FV	07/06/17	1:11	SHEET 2 OF 2
PART NUMBER		0002076860.D	
REVISION:		17	



1920HO SERIES MOUNTING HOLE LOCATIONS
(3/8" - 16 UNC MOUNTING HARDWARE NOT SUPPLIED)



NOTES:

1. SEE SEPARATE INSTALLATION DRAWINGS FOR MOUNTING PLATES AND BACKPANELS
2. WHEN INSTALLING THIS UNIT, LOCAL, STATE OR FEDERAL CODES SHOULD BE ADHERED TO FOR INSTALLATION LOCATIONS, WASTE AND SUPPLY REQUIREMENTS OTHER THAN SHOWN.
3. REFER TO 1RKHO.H OPERATION & MAINTENANCE INSTRUCTIONS FOR SENSOR SETUP.



1455 KLEPPE LANE
SPARKS, NEVADA 89431
(775) 359-4712 FAX (775) 359-7424
E-MAIL: HAWS@HAWS.CO.COM
WEBSITE: WWW.HAWS.CO.COM

EQ. NO. REVISION	PER BY	DATE	SCALE	INSTALLATION	SIZE	SHEET
5742	EQ. NO. 5681	DATE	N/A		A	1 OF 6
DR. BY	CHK. BY	DATE				
B.M.	B.M.	LV				
APPROVED:	DATE	DATE				
B.M.	05/19/21					
MODEL(S)	1920HO/1920HPSHO/1920WHO					
PART NUMBER	0510001063.D					
REVISION	4					