



model 1435-1920WHO

Vandal-Resistant Enameled Iron Fountain and Motion-Activated Bottle Filler

FEATURES & BENEFITS

CONSTRUCTION

Heavy-duty cast iron bowl with a glossy white enamel finish is designed for the toughest of applications, and at the same time is gentle to all users with its soft rounded corners. Unit also ships with vandal-resistant bottom plates to provide added peace of mind.

INTEGRATED TRAP

All cast brass 1-1/4" NPT adjustable traps completely concealed inside bottom plates for easy installation and lack of unwanted access.

HIGH CAPACITY BASIN

Combined low profile design and the use of three bubblers supply the needs of many, which is perfect for schools and other high traffic areas.

BUBBLER HEADS

Polished chrome-plated brass bubbler heads with integral 11/16" dia. basin shank and stainless anti-rotation roll pin for vandal resistance strength. Shielded, angled stream opening provides a steady, sanitary source of drinking water at .45 gpm.

FOUNTAIN VALVES

Bottle filler incorporates a touchless sensor operated stainless steel solenoid valve controlled by a transformer, and a pushbutton activated valve which offers the only all stainless-steel valve body that is machined out of solid bar stock and is fully serviceable through the front of the push button assembly offering access to the water control cartridge and integral water supply strainer on the fountain.

VANDAL-RESISTANT

The bubbler heads, push buttons, drain strainer and bottom plates are locked in place, discouraging unwanted vandal tampering.

BOTTLE FILLER

14-gauge Type 304 stainless steel bottle filler housing with touchless sensor operation and 1 gpm (3.78 L) laminar flow with 30-second obstruction time-out.

OPTIONS

Water Filter: Model 6426, 10" x 2" (25.4 x 5.1 cm), in-line lead removal element that reduces lead from incoming water supply.

Remote Drinking Fountain Water chiller: Model HCR8, 8 gph (30.3 L) remote water chiller provides instantaneous cooling to meet a continuous demand for chilled water.

For more information, visit www.hawsc.com or call (888) 640-4297.



REQUIRED MODELS

1435 / 1920WHO

Order these items to make up Model 1435-1920WHO white enameled-iron three bubbler drinking fountain and touchless bottle filler shown above.

FOR INDOOR USE ONLY

SPECIFICATIONS

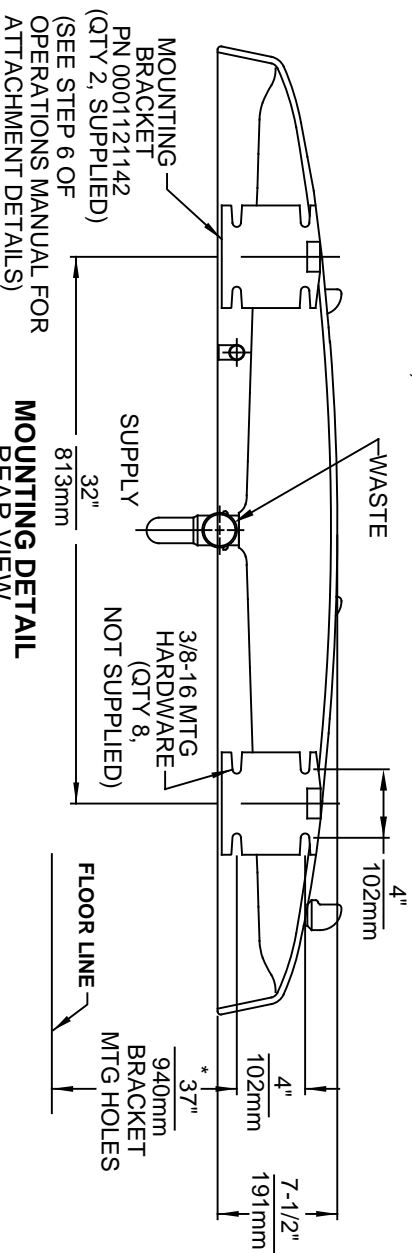
Model 1435-1920WHO wall mounted vandal-resistant drinking fountain and touchless bottle filler shall include a white enameled-iron basin mounted with twin galvanized cast-iron wall brackets, touchless sensor operated solenoid valve with 30-second obstruction time-out on the bottle filler, and vandal-resistant push-button operated stainless-steel valves with front-accessible cartridge and flow adjustment on the fountain, 100% lead-free waterways, triple polished chrome-plated brass vandal-resistant bubbler heads, polished chrome-plated brass vandal-resistant waste strainer, vandal-resistant bottom plate, and chrome-plated 1-1/2" NPT trap. CSA certified lead-free to NSF/ANSI/ CAN 61-Section 9, NSF/ANSI/ CAN 372, California Proposition 65, and the Federal Safe Drinking Water Act. Product is compliant to California Health and Safety Code 116875 (AB 1953-2006), and NSF/ANSI/CAN 61: Q ≤ 1.



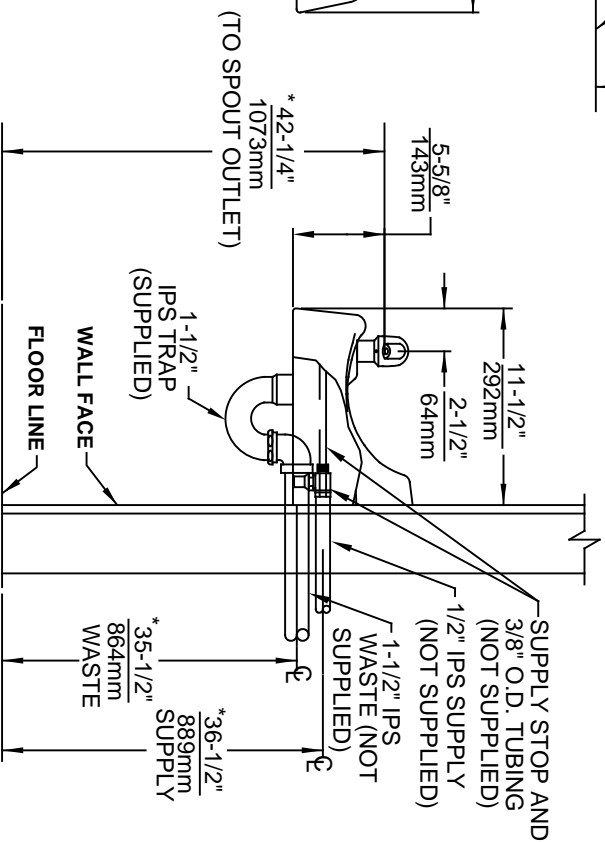
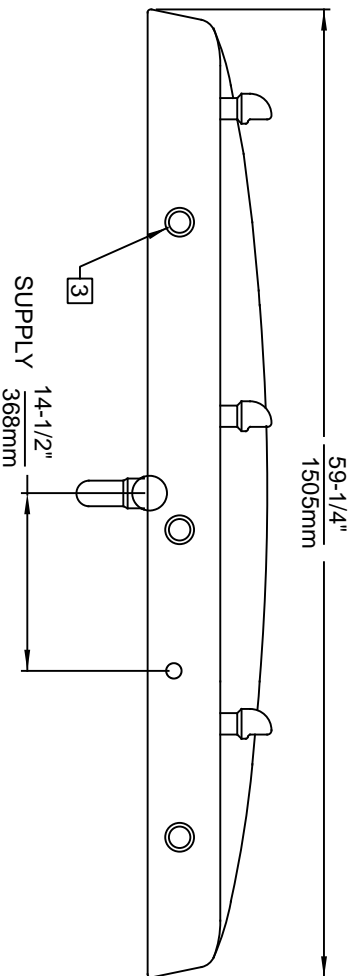
NOTES:

1. ROUGH-IN DIMENSIONS MAY VARY ±1/4" (6.4mm)
2. WHEN INSTALLING THIS UNIT LOCAL, STATE OR FEDERAL CODES SHOULD BE ADHERED TO. FOR INSTALLATION HEIGHTS OTHER THAN SHOWN, DIMENSIONS MARKED (*) MUST BE ADJUSTED ACCORDINGLY.
- 3 REFER TO 5874 SERIES OPERATION AND MAINTENANCE MANUAL FOR PUSH BUTTON AND VALVE INSTALLATION/MAINTENANCE INSTRUCTIONS.

(NOTES CONTINUED ON SHEET 2 OF 2)



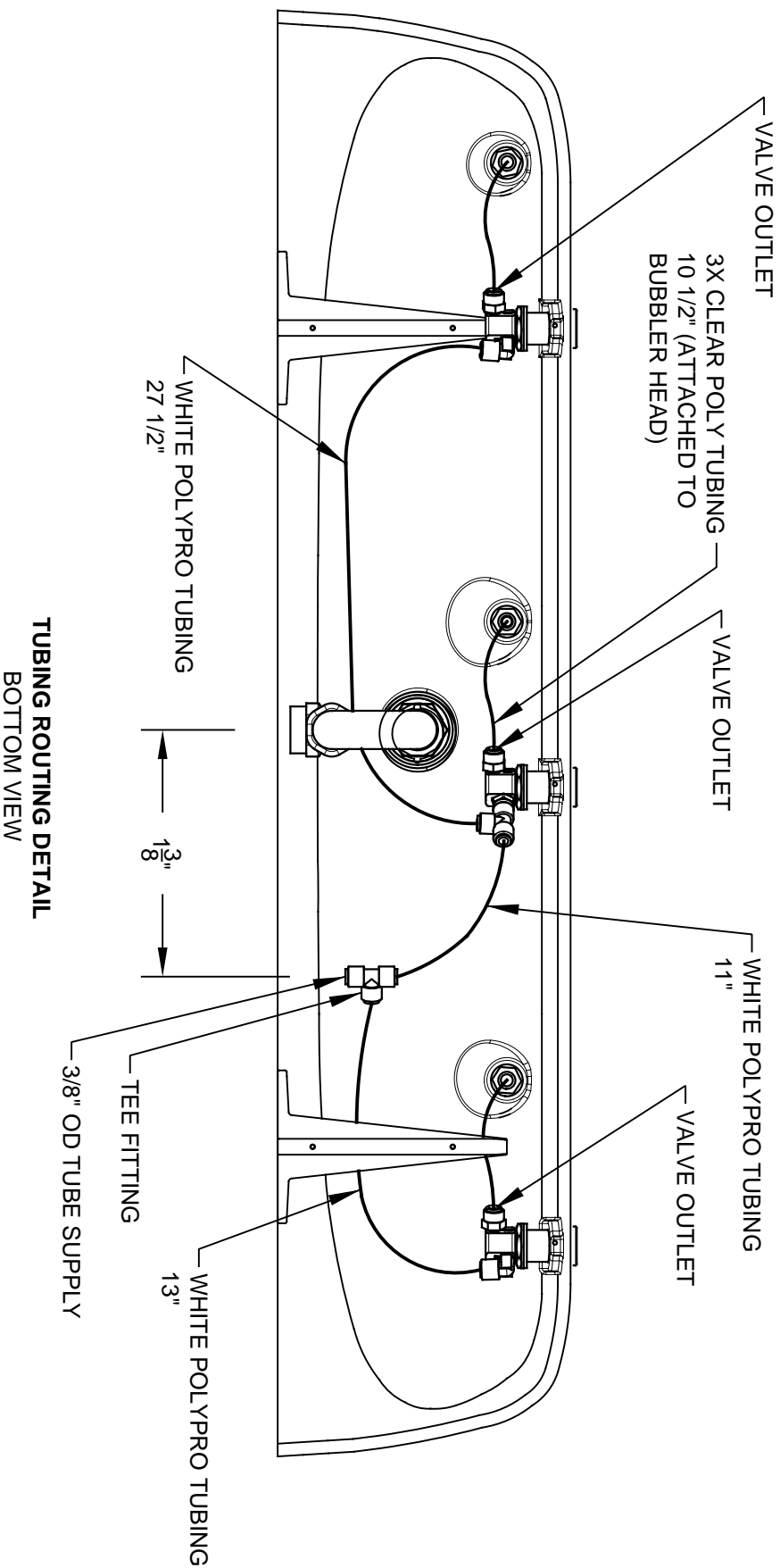
MOUNTING DETAIL REAR VIEW





| | | | |
|--------------------------------------------------------------------------------------------------------------------------------------|--|----------------------------------------|--|
| | | MODEL(S) | |
| 1435 | | THREE BUBBLER FOUNTAIN | |
| 1456 KLEPPE LANE SPARKS, NEVADA 89431 (775) 359-4712 FAX (775) 359-7424 E-MAIL: HAWWS@HAWSCO.COM WEBSITE: WWW.HAWSCO.COM | | PART NUMBER 0002076860.D | |
| ECN NO. REVISED PER BY: . | | SCALE: 1:11 DRAWING TYPE: INSTALLATION | |
| DRAWN: C.L. | | SIZE: A SHEET 1 OF 2 | |
| DATE: 01-01-91 | | REVISION: 17 | |
| CHKD: J.P. | | | |
| DATE: 07/06/17 | | | |
| APPROVED: F.V. | | | |

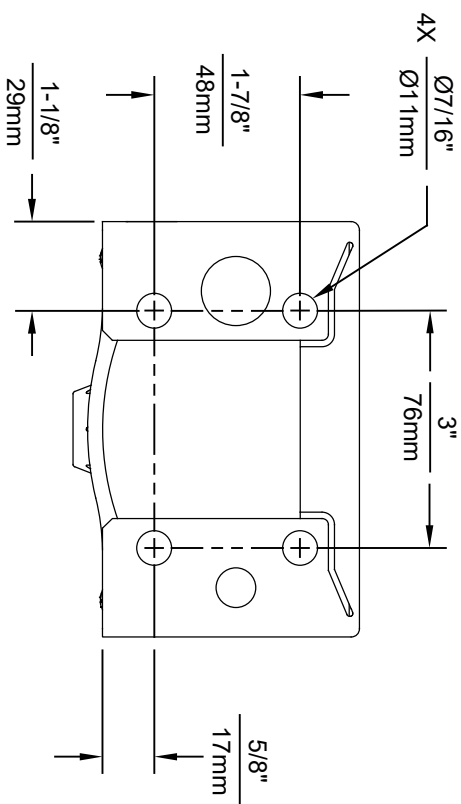
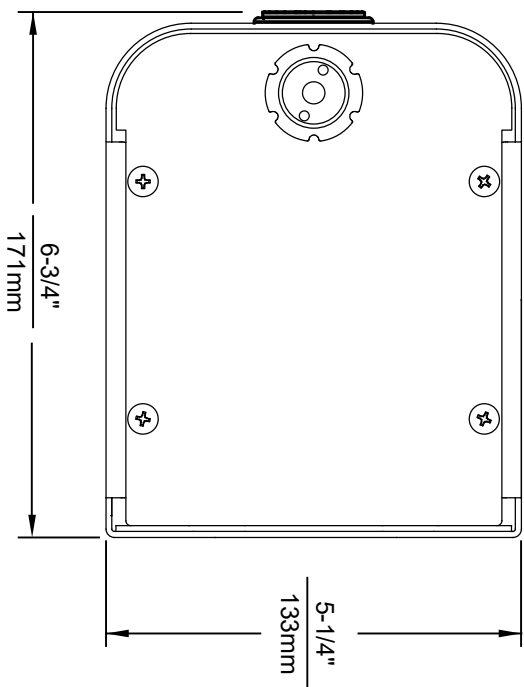
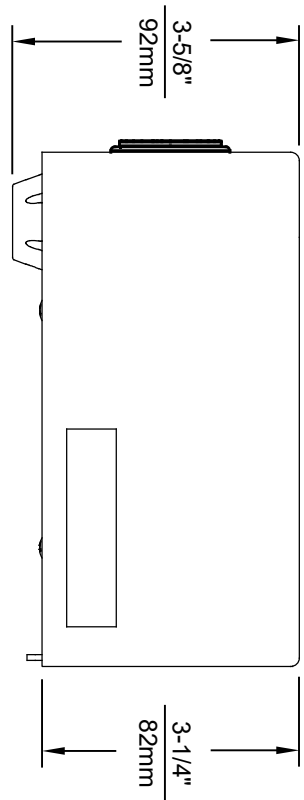
NOTES: (CONTINUED)

4. CONNECT WHITE "POLYPROPYLENE" TUBING ON PRESSURE SIDE (INLET) OF VALVE.
5. CONNECT CLEAR "POLYETHYLENE" TUBING ON FREE FLOW SIDE (VALVE TO BUBBLER HEAD) ONLY.

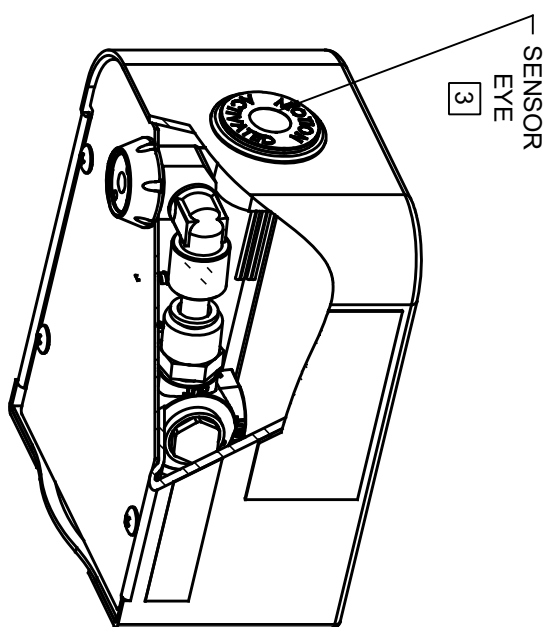


TUBING ROUTING DETAIL
BOTTOM VIEW

| | | | |
|----------------------------------------------------------------------------------------------------------------------------------------|----------|-------------------------------------------------------------------------------------|---------------|
|  | |  | |
| 1459 KLEPPE LANE SPARKS, NEVADA, 89431 (775) 359-4712 FAX (775) 359-7424 E-MAIL: HAWS@HAWS.CO.COM WEBSITE: WWW.HAWS.CO.COM | | | |
| ECN NO. REVISED PER BY: | MODEL(S) | 1435/1435HO | |
| 5188 | DATE: | CHK'D: | JP |
| 11-01-91 | VWC | THREE BUBBLER FOUNTAIN | |
| APPROVED: | DATE: | SCALE: | DRAWING TYPE: |
| FV | 07/06/17 | 1:11 | INSTALLATION |
| PART NUMBER | | 0002076860.D | |
| REVISION: | | 17 | |



1920HO SERIES MOUNTING HOLE LOCATIONS
(3/8" - 16 UNC MOUNTING HARDWARE NOT SUPPLIED)



NOTES:

1. SEE SEPARATE INSTALLATION DRAWINGS FOR MOUNTING PLATES AND BACKPANELS
2. WHEN INSTALLING THIS UNIT, LOCAL, STATE OR FEDERAL CODES SHOULD BE ADHERED TO FOR INSTALLATION LOCATIONS, WASTE AND SUPPLY REQUIREMENTS OTHER THAN SHOWN.
3. REFER TO 1RKHO.H OPERATION & MAINTENANCE INSTRUCTIONS FOR SENSOR SETUP.



1455 KLEPPE LANE
SPARKS, NEVADA 89431
(775) 359-4712 FAX (775) 359-7424
E-MAIL: HAWS@HAWSCCO.COM
WEBSITE: WWW.HAWSCCO.COM

| | | | | | | |
|------------------|--------|----------|-------|--------------|------|--------|
| EQ# NO. REVISION | PER BY | DATE | SCALE | INSTALLATION | SIZE | SHEET |
| 0510001063.D | | | | | A | 1 OF 6 |
| REVISED | B.M. | 05/19/21 | N/A | | | 4 |
| DATE | BY | DATE | SCALE | INSTALLATION | SIZE | SHEET |
| 05/19/21 | B.M. | 05/19/21 | N/A | | | 4 |
| DATE | BY | DATE | SCALE | INSTALLATION | SIZE | SHEET |
| 05/19/21 | B.M. | 05/19/21 | N/A | | | 4 |
| DATE | BY | DATE | SCALE | INSTALLATION | SIZE | SHEET |
| 05/19/21 | B.M. | 05/19/21 | N/A | | | 4 |