



model 1117LHO2-1920HO

ADA Adjustable Vandal-Resistant Motion-Activated Fountain and Bottle Filler

FEATURES & BENEFITS

VANDAL-RESISTANT

The bubbler heads, drain strainers and bottom plates are locked in place, discouraging unwanted vandal tampering.

CONSTRUCTION

One-piece drinking fountains with low-profile design made of 14 gauge Type 304 stainless steel with 1/4" (.6 cm) thick stainless back plates welded in, and vandal resistant stainless bottom plates.

FOUNTAIN VALVES

Fountain incorporates touchless sensor operated stainless steel solenoid valves controlled by a transformer for handsfree operation. A pressure regulator is used to adjust the bubbler flow according to incoming water pressures.

BOTTLE FILLER

Vandal-resistant, 14-gauge Type 304 stainless steel bottle filler housing with touchless operation and 1 gpm (3.78 L) laminar flow.

BUBBLER HEAD

Polished chrome-plated brass bubbler head with integral 11/16" dia. basin shank and stainless anti-rotation roll pin for vandal resistance strength. Shielded, angled stream opening provides a steady, sanitary source of drinking water at .45 gpm.

INTEGRATED TRAP

All cast brass 1-1/4" NPT adjustable traps completely concealed inside bottom plates for easy installation and lack of unwanted access.

TAMPER RESISTANT

30-second obstruction time-out to reduce tampering of sensor.



REQUIRED MODELS

1117LHO2 / 6717 / 1920HO / BP32

Order these items to make up Model 1117LHO2-1920HO dual stainless steel touchless fountain and bottle filler, and stainless steel back panels shown above.

FOR INDOOR USE ONLY

SPECIFICATIONS

Model 1117LHO2-1920HO low profile wall mounted vandal-resistant ADA motion-activated drinking fountain and bottle filler shall include dual 14 gauge Type 304 Stainless Steel satin finish basins with integral 1/4" (.6 cm) thick stainless steel back plates, touchless sensor operated stainless steel solenoid valves with 30-second obstruction time-out controlled by a transformer, in-line strainer and flow adjustment provide 100% lead free waterways, polished chrome plated brass vandal-resistant bubbler heads, 1 gpm (3.78 L) laminar flow bottle filler, polished chrome-plated brass vandal-resistant waste strainers, vandal-resistant bottom plates, adjustable mounting allowing either basin to be high or low, stainless steel satin finish back panels, and 1-1/4" NPT concealed all cast-brass traps. The patented design allows the unit to be mounted to meet ADA or Child ADA specifications. CSA certified lead-free to NSF/ANSI/CAN 61-Section 9, NSF/ANSI/CAN 372, California Proposition 65, and the Federal Safe Drinking Water Act. Product is compliant to California Health and Safety Code 116875 (AB 1953-2006), and NSF/ANSI/CAN 61: Q ≤ 1.

OPTIONS

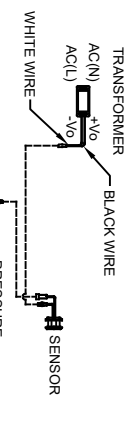
Mounting Plate: Model 6700, in-wall mounting plate for model 1920HO.

Mounting Plate: Model 6700R, on-wall mounting plate for model 1920HO.

Support Frame: Model 6800 In-wall floor mounted fixture support legs, welded steel 4-bolt floor flanges, and supplied with 'U' bolts and hardware.



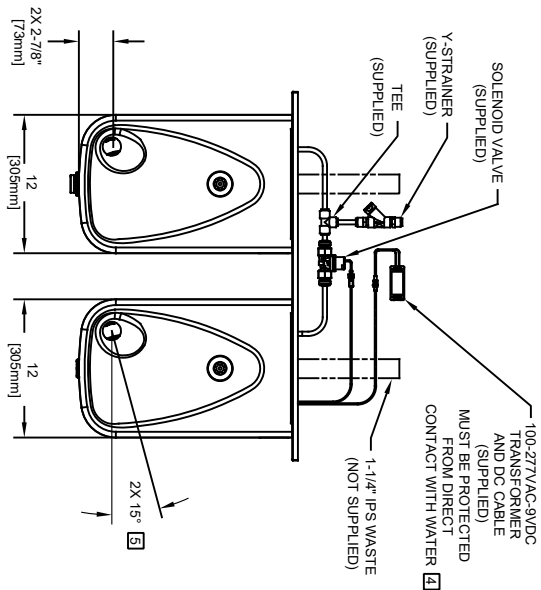
- NOTES:
1. HOLD ROUGH-IN DIMENSIONS $\pm \frac{1}{8}$ " (3.2MM).
 2. WHEN INSTALLING THIS UNIT, LOCAL, STATE, OR FEDERAL CODES SHOULD BE ADHERED TO. FOR INSTALLATION HEIGHTS OTHER THAN SHOWN, DIMENSIONS MARKED (*) MUST BE ADJUSTED ACCORDINGLY.
 3. REFER TO 6874 SERIES OPERATION AND MAINTENANCE MANUAL FOR PUSH BUTTON AND VALVE INSTALLATION/MAINTENANCE INSTRUCTIONS.
 4. REFER TO 1RKH0 OR 2RKH0 SERIES OPERATION INSTRUCTIONS FOR TRANSFORMER AND SENSOR SETUP.
 5. MAXIMUM ADJUSTABLE RANGE IS 15" FROM PARALLEL TO BACK WALL.



SENSOR WIRING / SUPPLY PLUMBING SCHEMATIC

3/8" O.D. SUPPLY TUBING IS SUPPLIED. SCREWDRIVER STOP (NOT SHOWN) IS NOT SUPPLIED.

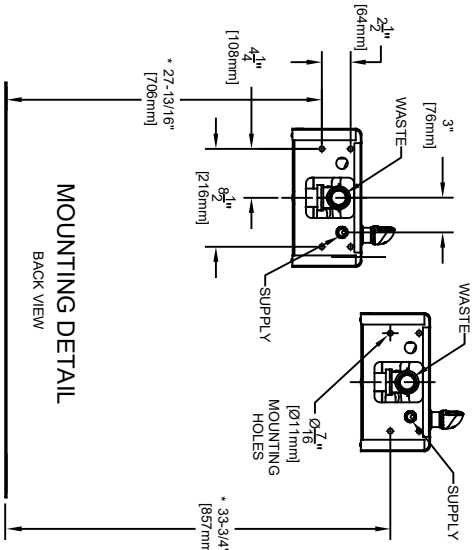
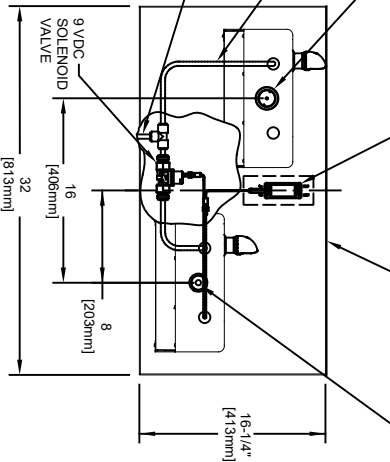
3/8" O.D. SUPPLY LINE TO TEE



LOCATE AND INSTALL ELECTRICAL TRANSFORMER WITHIN WALL [2]

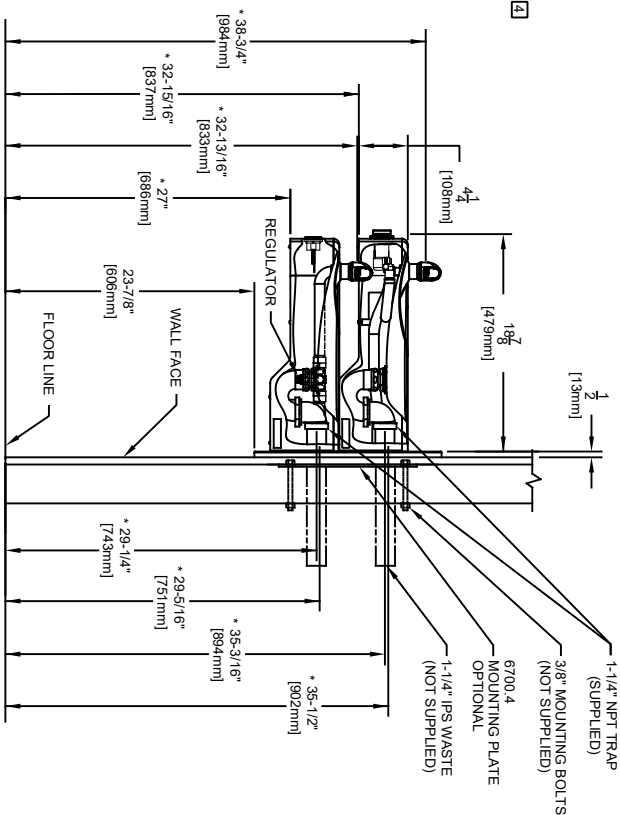
BACK PANEL (SUPPLIED)

SENSOR EYE [4]

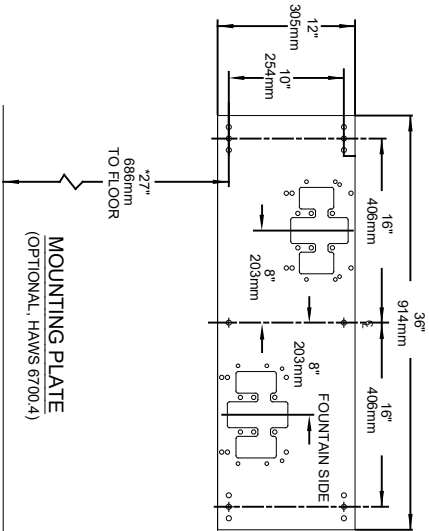


MOUNTING DETAIL

BACK VIEW

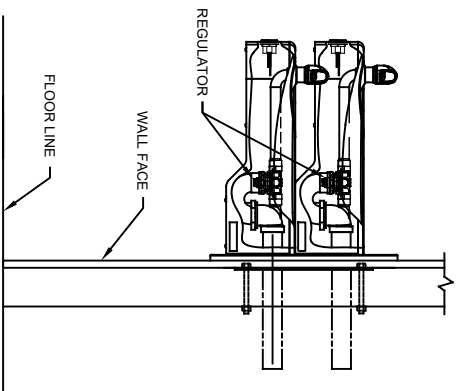
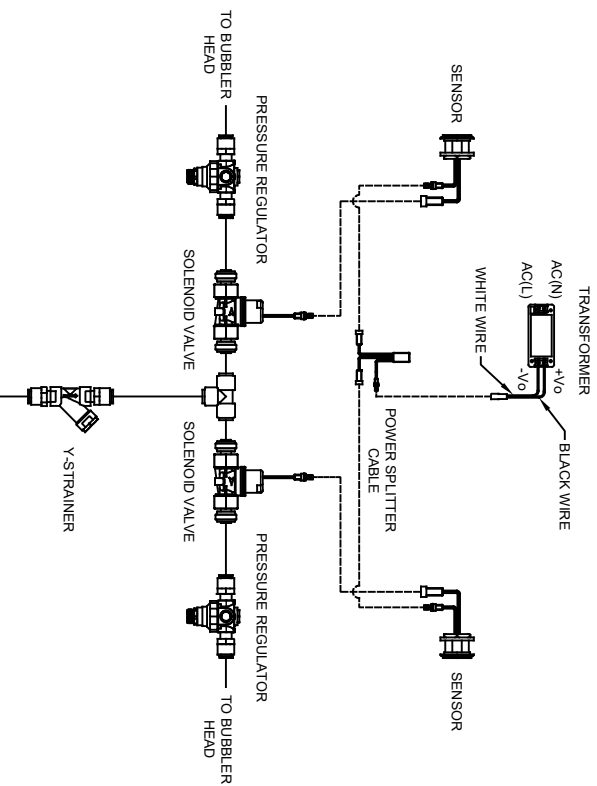
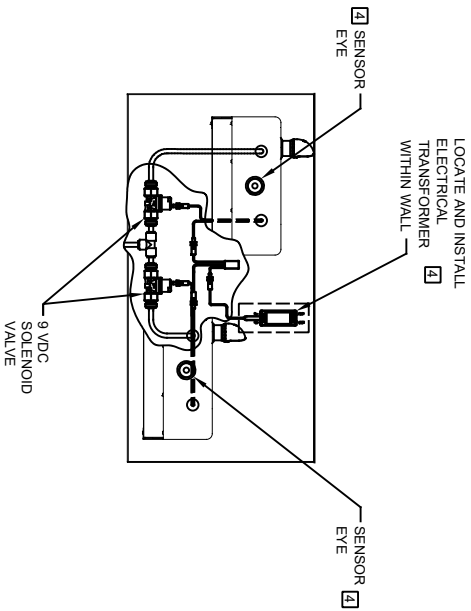
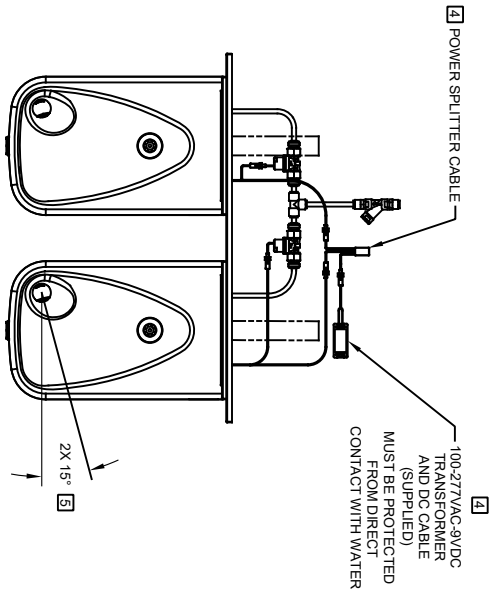


MODEL 1117LNHO SHOWN
MODEL 1117LNHO2 ON SHEET 2
(ROUGH-IN DIMENSIONS APPLY TO BOTH MODELS)



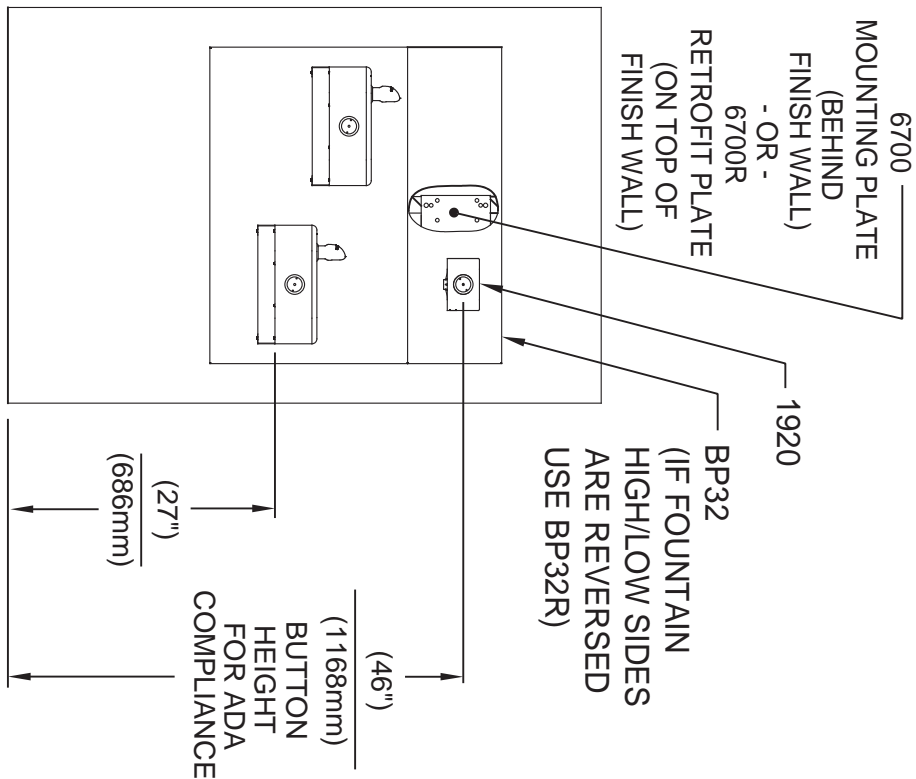
MOUNTING PLATE
(OPTIONAL, HAWS 6700.4)

		MODEL(S)	
1456 KLEPPE LANE SPARKS, NEVADA 89431 (775) 359-4712 FAX (775) 359-7424 E-MAIL: HAWS@HAWS.CO.COM WEBSITE: WWW.HAWS.CO.COM		1117LNHO/1117LNHO2	
ECN NO. REVISED PER BY:	5713	DATE:	07/28/21
CHKD:	FV	DP:	
APPROVED:	DATE:	SCALE:	1:2
DRAWING TYPE:		INSTALLATION	
SHEET 1 OF 2		REVISION: 1	
PART NUMBER		0510001210.D	



MODEL 1117NLH02 SHOWN
 MODEL 1117LNHO ON SHEET 1
 (SEE SHEET 1 FOR APPLICABLE ROUGH-IN DIMENSIONS)

		MODEL(S)	
1459 KLEPPE LANE SPARKS, NEVADA, 89431 (775) 359-4712 FAX (775) 359-7424 E-MAIL: HAWS@HAWSCO.COM WEBSITE: WWW.HAWSCO.COM		1117LNHO/1117LNHO2	
ECN NO. REVISED PERBY:	5713 FV	DATE:	07/28/21
CHKD:	DP	DATE:	07/28/21
APPROVED:	FV	SCALE:	1:2
DRAWING TYPE:		INSTALLATION	
SIZE:		A	
SHEET:		2 OF 2	
PART NUMBER:		0510001210.D	
REVISION:		1	

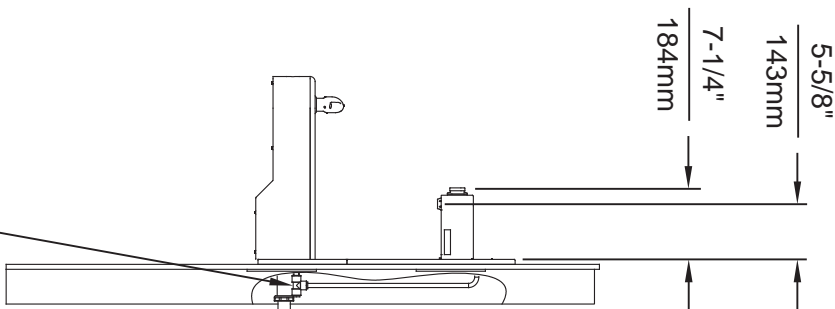
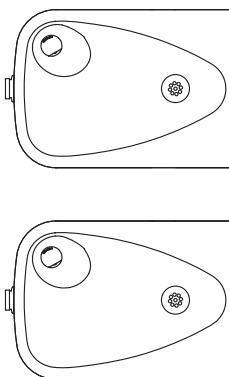


INSTALLATION ABOVE HAWES 1117L, H1117.8, 1117LN

* IF YOUR FOUNTAIN IS THIS STYLE USE THESE DIMENSIONS

1. SEE SEPARATE INSTALLATION DRAWINGS FOR MOUNTING PLATES AND BACKPANELS

2. WHEN INSTALLING THIS UNIT, LOCAL, STATE OR FEDERAL CODES SHOULD BE ADHERED TO FOR INSTALLATION LOCATIONS, WASTE & SUPPLY REQUIREMENTS OTHER THAN SHOWN.

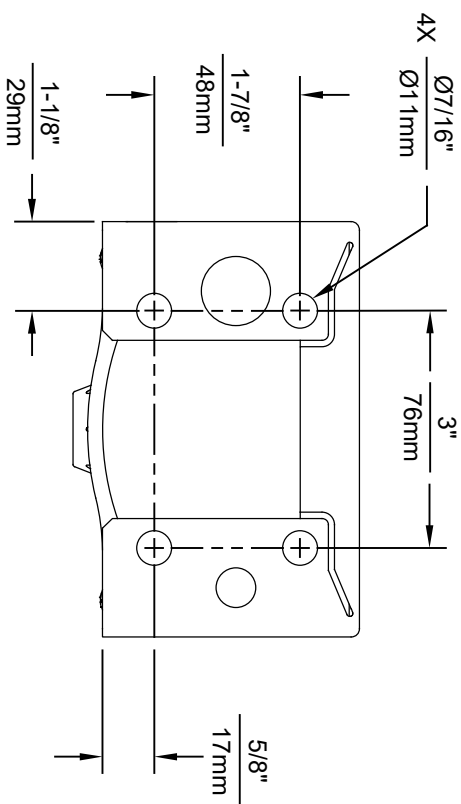
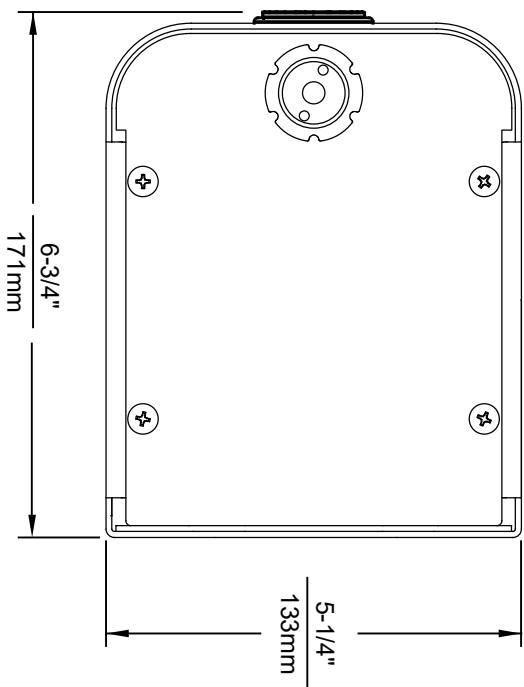
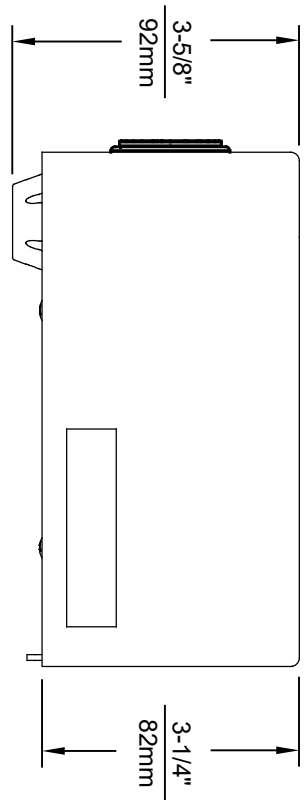


3/8" O.D. SUPPLY TUBING AND 3/8" O.D. PUSH-IN TEE SUPPLIED. (CONNECT TO FOUNTAIN SUPPLY LINE)

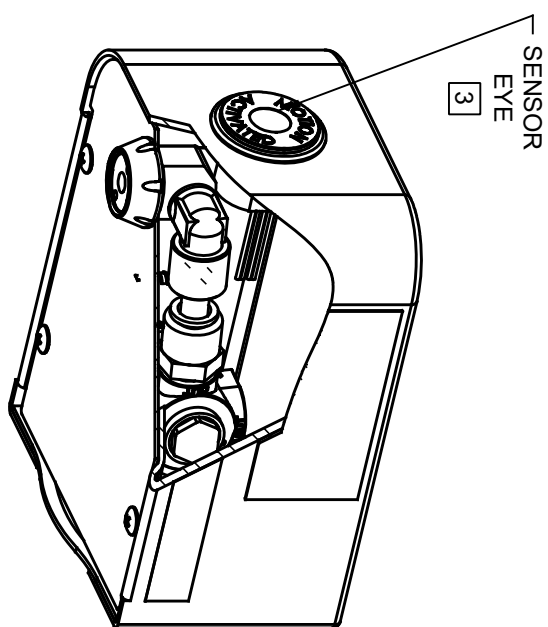


1455 KLEPPE LANE
SPARKS, NEVADA 89431
(775) 359-4712 FAX (775) 359-7424
E-MAIL: HAWS@HAWS.CO.COM
WEBSITE: WWW.HAWS.CO.COM

EQ. NO.	REVISED PER BY:	MODEL(S)	
5031	F.V.	1920	
DRAWN	DATE:	DWG.	
1	05/14/20	DP	
APPROVED:	DATE:	SCALE:	DRAWING TYPE:
F.V.	05/14/20	N/A	INSTALLATION
			SIZE: A
			SHEET 4 OF 6
			REVISION
			6
			PART NUMBER
			0510000490.D



1920HO SERIES MOUNTING HOLE LOCATIONS
(3/8" - 16 UNC MOUNTING HARDWARE NOT SUPPLIED)



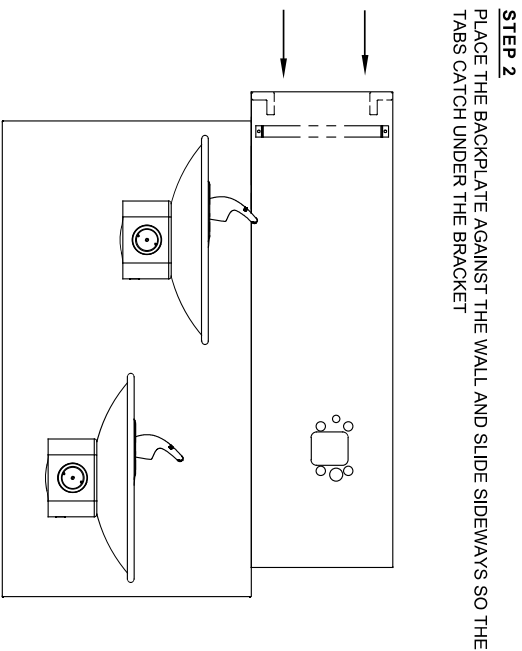
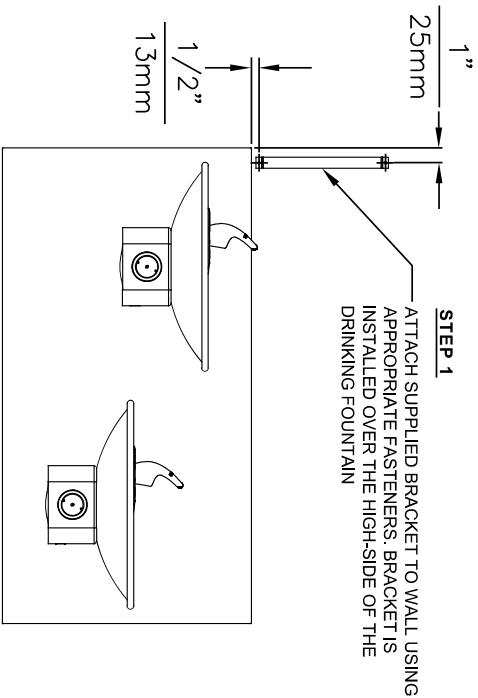
NOTES:

1. SEE SEPARATE INSTALLATION DRAWINGS FOR MOUNTING PLATES AND BACKPANELS
2. WHEN INSTALLING THIS UNIT, LOCAL, STATE OR FEDERAL CODES SHOULD BE ADHERED TO FOR INSTALLATION LOCATIONS, WASTE AND SUPPLY REQUIREMENTS OTHER THAN SHOWN.
3. REFER TO 1RKHO.H OPERATION & MAINTENANCE INSTRUCTIONS FOR SENSOR SETUP.



1455 KLEPPE LANE
SPARKS, NEVADA 89431
(775) 359-4712 FAX (775) 359-7424
E-MAIL: HAWS@HAWS.CO.COM
WEBSITE: WWW.HAWS.CO.COM

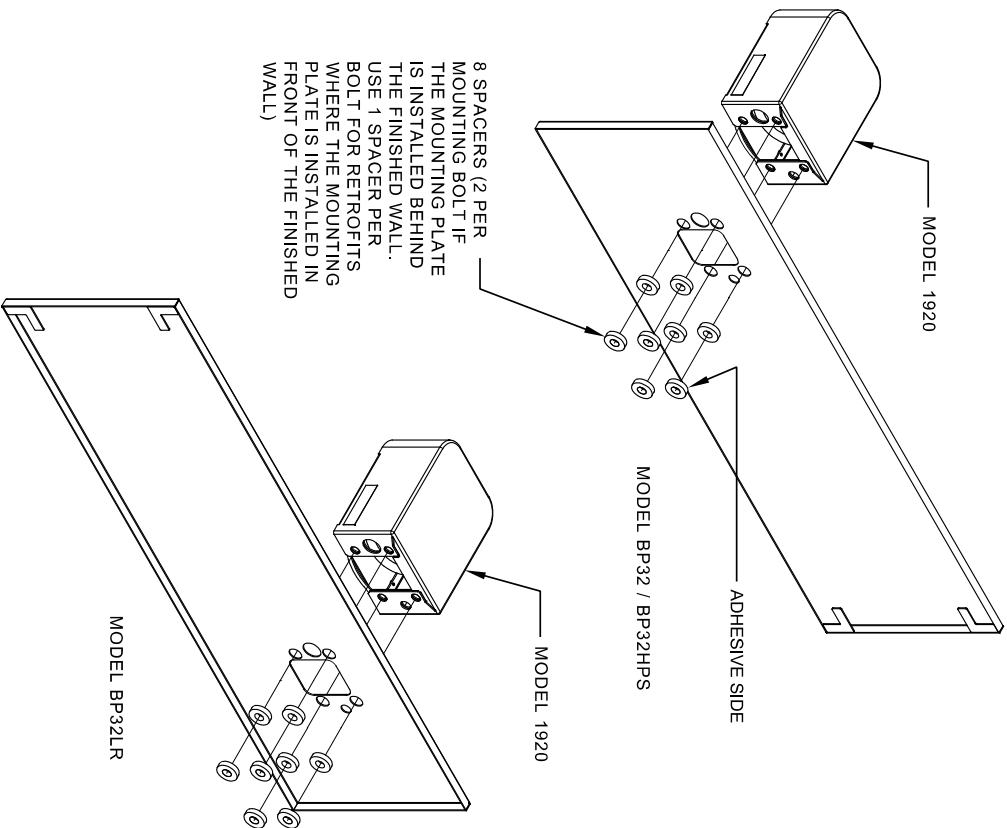
EQ. NO. REVISIONS PER BY	MODEL(S)	PART NUMBER
5274 EQN 5681 B.M.	1920HO/1920HPSHO/1920WHO	0510001063.D
DRAWN DATE	SCALE	REVISION
DATE	N/A	4
APPROVED DATE	DRAWING TYPE	SHEET 1 OF 6
B.M.	INSTALLATION	



STEP 3
INSTALL THE BOTTLE FILLER PER THE INSTRUCTIONS SUPPLIED WITH THE UNIT

NOTES:
1. WHEN INSTALLING THIS UNIT, LOCAL, STATE OR FEDERAL CODES SHOULD BE ADHERED TO.

©2017 Haws Corporation - All Rights Reserved. HAWS® and other trademarks used in these materials are the exclusive property of Haws Corporation.



INSTALLATION OVER DOUBLE FOUNTAIN SHOWN FROM REAR

		MODEL(S)	
DRAWING, BACK PANEL SPACER INST., BF		PART NUMBER	
0510000493.D		REVISION	
2		2 OF 2	
SCALE: 1:1		DRAWING TYPE: INSTALLATION	
DATE: 02/27/17		DATE: 02/27/17	
CHECKED: FV		APPROVED: FV	
DRAWN: ML		ECON. #172	
5081		ECON. #172	
ECON. #172		ECON. #172	
5081		5081	

1455 KLEPPE LANE
SPARKS, NEVADA, 89431
(775) 358-4712 FAX (775) 358-7424
E-MAIL: HAWS@HAWSCO.COM
WEBSITE: WWW.HAWSCO.COM