



# model 1435HO

Vandal-Resistant Enameled Iron Motion-Activated Fountain

## FEATURES & BENEFITS

### CONSTRUCTION

Heavy-duty cast iron bowl with a glossy white enamel finish is designed for the toughest of applications, and at the same time is gentle to all users with its soft rounded corners. Unit also ships with vandal-resistant bottom plates to provide added peace of mind.

### INTEGRATED TRAP

All cast brass 1-1/4" NPT adjustable traps completely concealed inside bottom plates for easy installation and lack of unwanted access.

### HIGH CAPACITY BASIN

Combined low profile design and the use of three bubblers supply the needs of many, which is perfect for schools and other high traffic areas.

### BUBBLER HEADS

Polished chrome-plated brass bubbler heads with integral 11/16" dia. basin shank and stainless anti-rotation roll pin for vandal resistance strength. Shielded, angled stream opening provides a steady, sanitary source of drinking water at .45 gpm.

### FOUNTAIN VALVES

Fountain incorporates touchless sensor operated stainless steel solenoid valves controlled by a transformer for handsfree operation. A pressure regulator is used to adjust the bubbler flow according to incoming water pressures.

### VANDAL-RESISTANT

The bubbler heads, drain strainer and bottom plate are locked in place, discouraging unwanted vandal tampering.



## SPECIFICATIONS

Model 1435HO vandal-resistant wall mounted drinking fountain shall include a white enameled-iron basin mounted with twin galvanized cast-iron wall brackets, touchless sensor operated stainless steel solenoid valves with 30-second obstruction time-out controlled by a transformer, 100% lead-free waterways, polished chrome-plated brass vandal resistant bubbler heads, polished chrome-plated brass vandal-resistant waste strainer, vandal-resistant bottom plate, and chrome-plated 1-1/2" NPT trap.

**FOR INDOOR USE ONLY**

## APPLICATIONS

Perfect for either public or private settings, our gleaming white enameled-iron series is one of the sturdiest wall mounted fountains Haws produces. This unit is the perfect fit for high traffic areas where there is a greater need for multiple drinking stations. Elegant gloss finish and color consistency throughout the enameled-iron maintain the fountains overall appeal so it always remains looking as new as it did when it was installed. Specifically, this type of wall mounted drinking fountain may be placed in settings such as: parks, schools, and other indoor/outdoor environments where the temperature remains above freezing. Haws manufactures drinking fountains, faucets and electric water coolers to be lead-free by all known definitions including NSF/ANSI/CAN 61-Section 9, NSF/ANSI/CAN 372, California Proposition 65, and the Federal Safe Drinking Water Act. Product is compliant to California Health and Safety Code 116875 (AB 1953-2006), and NSF/ANSI/CAN 61: Q ≤ 1.

## OPTIONS

- ❑ Water Filter: Model 6426, 10" x 2" (25.4 x 5.1 cm), in-line lead removal element that reduces lead from incoming water supply.
- ❑ Remote Drinking Fountain Water chiller: Model HCR8, 8 gph (30.3 L) remote water chiller provides instantaneous cooling to meet a continuous demand for chilled water.

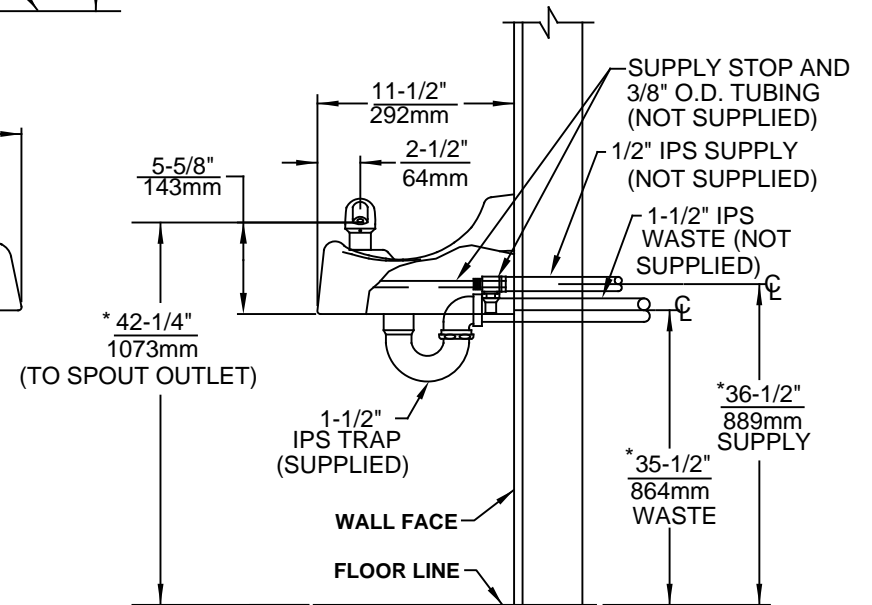
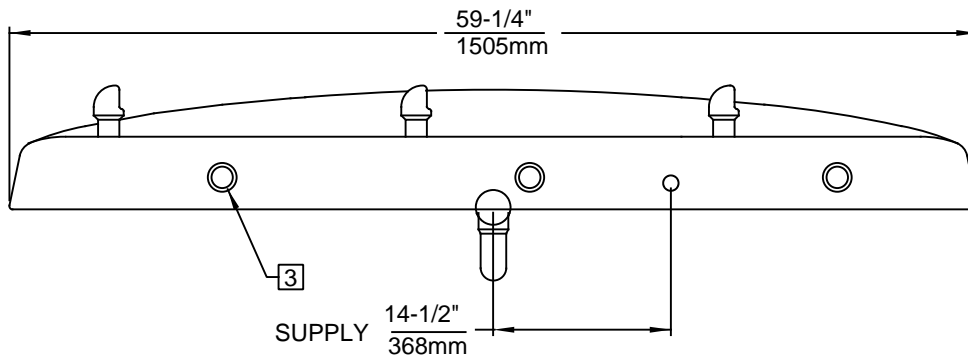
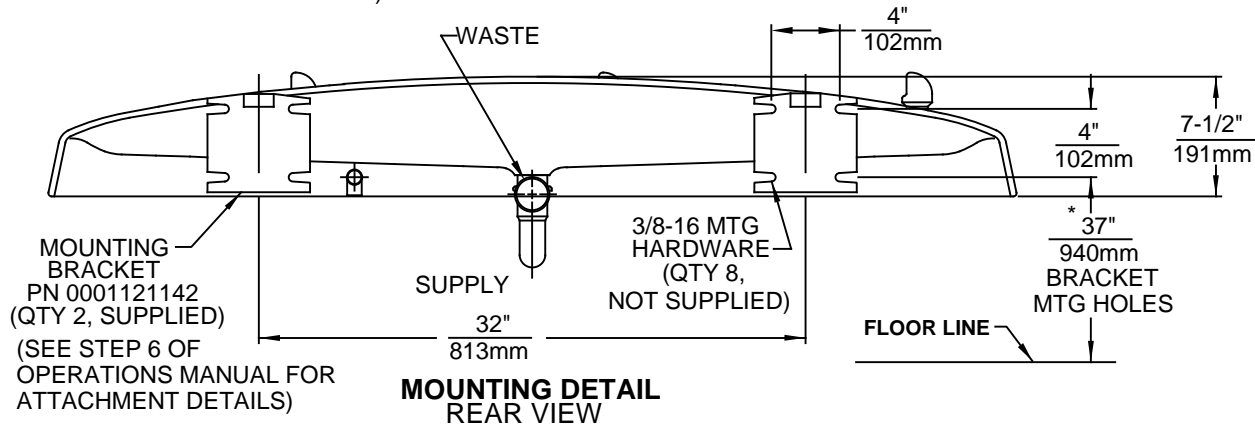
For more information, visit [www.hawsc.com](http://www.hawsc.com) or call (888) 640-4297.




**NOTES:**

1. ROUGH-IN DIMENSIONS MAY VARY  $\pm 1/4"$  (6.4mm)
2. WHEN INSTALLING THIS UNIT LOCAL, STATE OR FEDERAL CODES SHOULD BE ADHERED TO. FOR INSTALLATION HEIGHTS OTHER THAN SHOWN, DIMENSIONS MARKED (\*) MUST BE ADJUSTED ACCORDINGLY.
- 3 REFER TO 5874 SERIES OPERATION AND MAINTENANCE MANUAL FOR PUSH BUTTON AND VALVE INSTALLATION/MAINTENANCE INSTRUCTIONS.

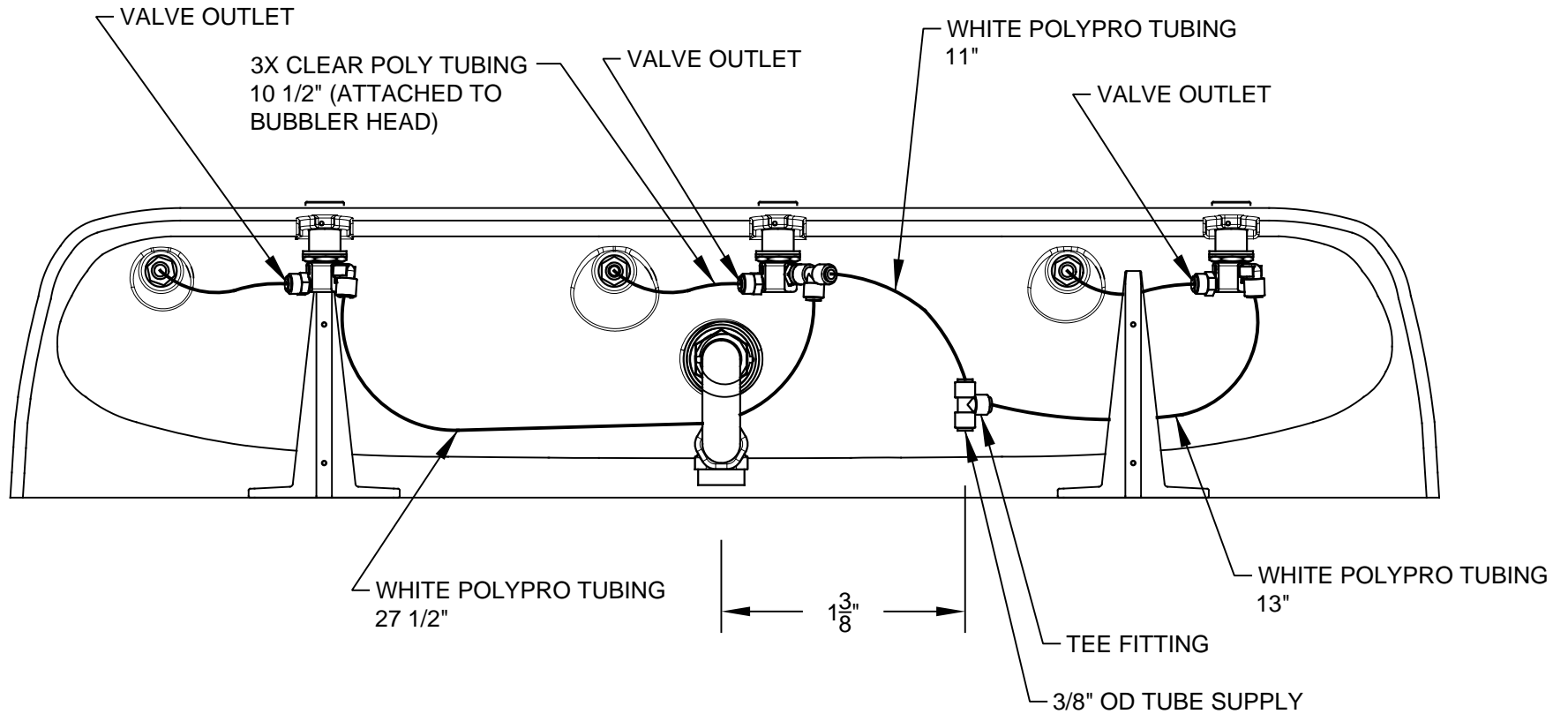
(NOTES CONTINUED ON SHEET 2 OF 2)




|   |                                  |   |                                |
|---|----------------------------------|---|--------------------------------|
|  |                                  | 1455 KLEPPE LANE<br>SPARKS, NEVADA 89431<br>(775) 359-4712 FAX (775) 359-7424<br>E-MAIL: HAWS@HAWS.CO.COM<br>WEBSITE: WWW.HAWS.CO.COM |                                |
|   |                                  | ECN NO. REVISED PER BY: MODEL(S)<br>ECN: 5188 JP  | 1435<br>THREE BUBBLER FOUNTAIN |
| DRAWN: C.J.L.<br>DATE: 01-01-91<br>CHKD.: V.W.C.                                      | APPROVED: F.V.<br>DATE: 07/06/17 | SCALE: 1:11<br>DRAWING TYPE: INSTALLATION   | REVISION<br>17<br>SHEET 1 OF 2 |

NOTES: (CONTINUED)

4. CONNECT WHITE "POLYPROPYLENE" TUBING ON PRESSURE SIDE (INLET) OF VALVE.
5. CONNECT CLEAR "POLYETHYLENE" TUBING ON FREE FLOW SIDE (VALVE TO BUBBLER HEAD) ONLY.



**TUBING ROUTING DETAIL**  
BOTTOM VIEW

|   |  |                            |  |   |   |
|---|--|----------------------------|--|---|---|
|  |  | <b>Haws</b> <sup>®</sup>   |  | 1455 KLEPPE LANE<br>SPARKS, NEVADA 89431<br>(775) 359-4712 FAX (775) 359-7424<br>E-MAIL: HAWS@HAWSCO.COM<br>WEBSITE: WWW.HAWSCO.COM |   |
|   |  |                            |  | ECN NO. 5188<br>DRAWN: CJL<br>APPROVED: FV  | REVISED PER: JP<br>DATE: 11-01-91<br>DATE: 07/06/17 |
| SCALE: 1:11   |  | DRAWING TYPE: INSTALLATION |  | SIZE: A SHEET 2 OF 2  |   |