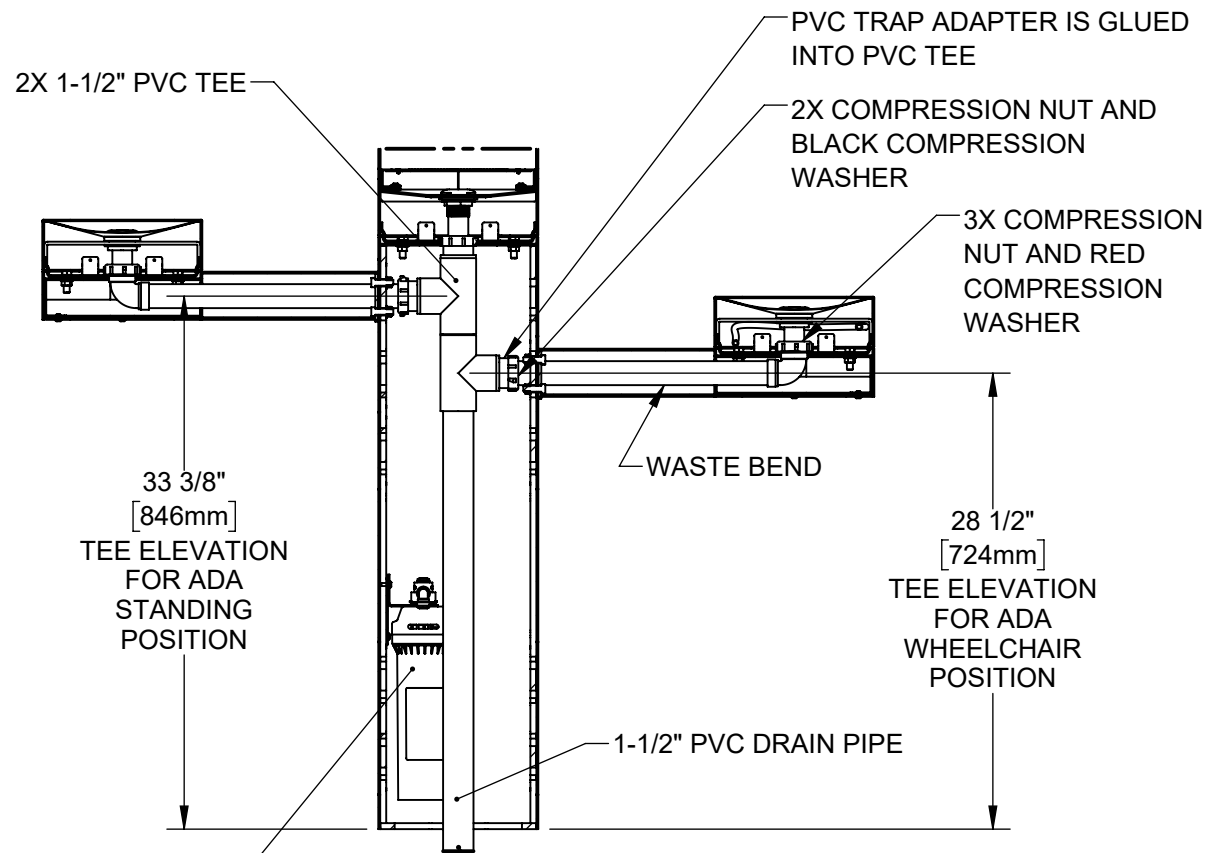


INSTALLATION INSTRUCTIONS



MODEL 6477 WATER FILTER KIT LOCATION IN BACK LEFT CORNER BEHIND DRAIN PIPE. INSTALL AS SHOWN IN STEP 7 (SHEET 5). FOR NEW INSTALLATIONS WITH MODEL 3612F, INSTALLING THE FILTER PRIOR TO INSTALLING THE DRAIN PIPE WILL IMPROVE ACCESS.

WASTE LINE INSTALLED PER LOCAL CODES AND STANDARDS

MODEL 3611F (WITH FILTER) SHOWN

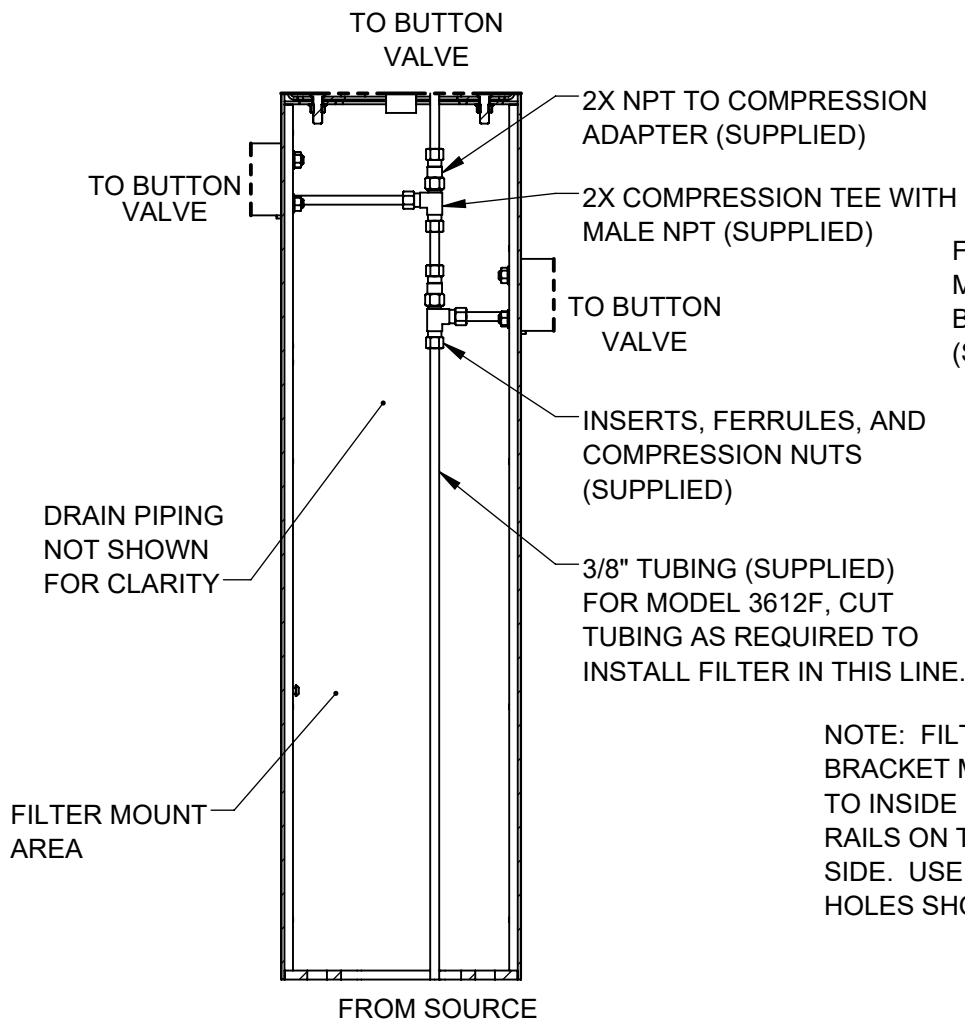
STEP 5

INSTALL SUPPLIED DRAIN COMPONENTS AS SHOWN. RED COMPRESSION WASHERS ADAPT FROM 1-1/4" TO 1-1/2" AT EACH DRAIN TAIL PIECE. BLACK COMPRESSION WASHERS ARE USED IN TRAP ADAPTERS AT TEES.

USE APPROPRIATE PVC CEMENT TO MAKE SOLVENT CEMENT CONNECTIONS. TRIM WASTE BEND AND/OR TAIL PIECE LENGTH IF REQUIRED. NOTE THAT EXTRA PARTS MAY BE INCLUDED TO FACILITATE OTHER CONFIGURATIONS OF THIS FOUNTAIN.

			1455 KLEPPE LANE SPARKS, NEVADA 89431 (775) 359-4712 FAX (775) 359-7424 E-MAIL: HAWS@HAWS.CO.COM WEBSITE: WWW.HAWS.CO.COM	
			ECN: 5666 DRAWN: DHP APPROVED: FV	REV. ECN: 5719 DATE: 6/11/20 DATE: 09/16/21
SCALE: 1:24		DRAWING TYPE: INSTALLATION		SIZE: A SHEET 4 OF 6

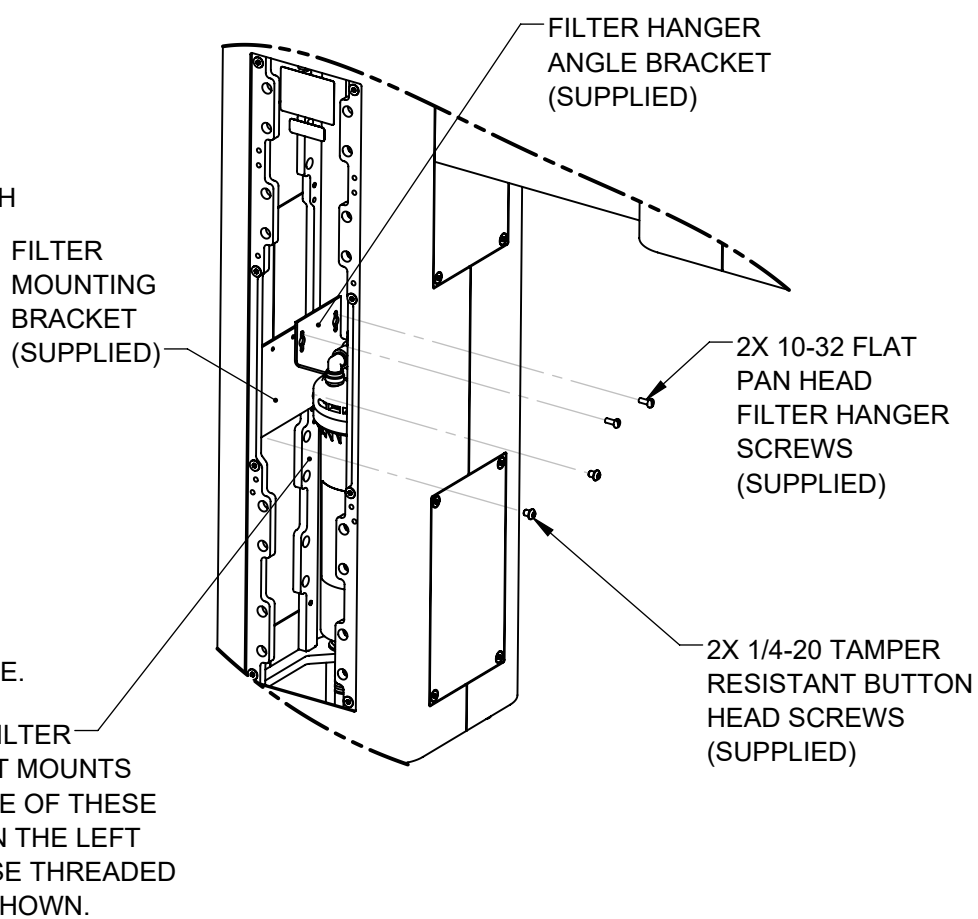
INSTALLATION INSTRUCTIONS



3612 SUPPLY PLUMBING

STEP 6

COMPLETE WATER SUPPLY PLUMBING AS SHOWN. OPEN SUPPLY VALVE(S) AND TEST. REPLACE ARM BOTTOM PLATES AND PEDESTAL ACCESS PLATES.



3612F FILTER BRACKET MOUNTING

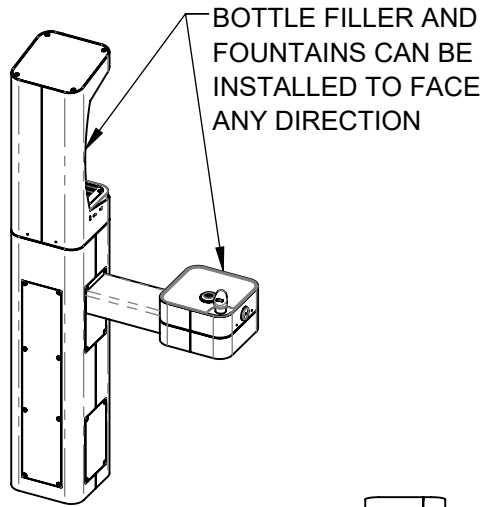
STEP 7

INSTALL FILTER MOUNTING BRACKET (SUPPLIED WITH MODEL 6477) TO LEFT INSIDE VERTICAL RAILS USING 2 BUTTON HEAD SCREWS AS INDICATED ABOVE. INSTALL FILTER HEAD ON HANGER ANGLE WITH 4 SUPPLIED SELF-TAPPING SCREWS. INSTALL FILTER HANGER ANGLE BRACKET IN RIGHTMOST HOLES AS SHOWN. SEE MODEL 6477 OPERATION AND MAINTENANCE MANUAL FOR ADDITIONAL DETAILS.

			1455 KLEPPE LANE SPARKS, NEVADA 89431 (775) 359-4712 FAX (775) 359-7424 E-MAIL: HAWS@HAWSCO.COM WEBSITE: WWW.HAWSCO.COM	
			ECN: 5666 DRAWN: DHP APPROVED: FV	REV. ECN: 5719 DATE: 6/11/20 DATE: 09/16/21
SCALE: 1:24 DRAWING TYPE: INSTALLATION SIZE: A			SHEET 5 OF 6	

NOTES ON OPTIONAL CONFIGURATIONS

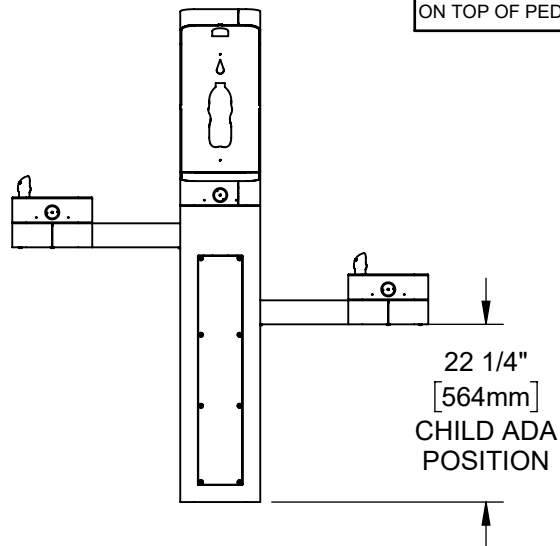
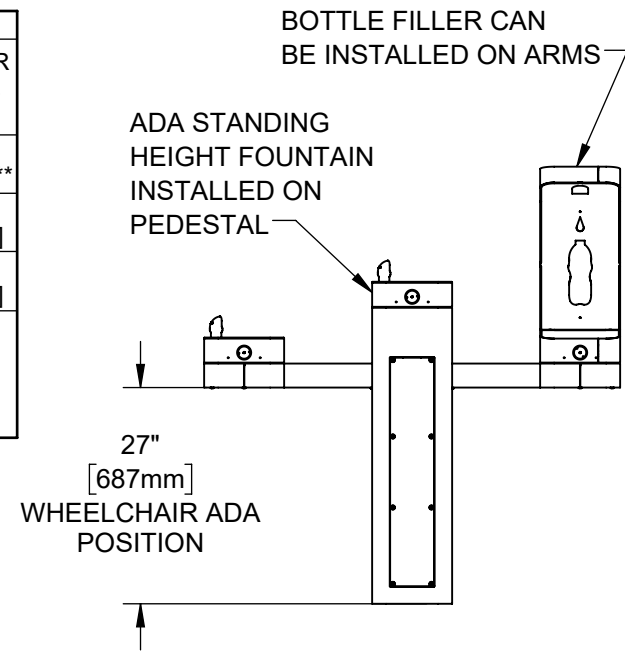
HAWS 3600/3600F SERIES OUTDOOR FOUNTAINS ARE MODULAR AND CAN BE ASSEMBLED AND CONFIGURED MANY DIFFERENT WAYS. DISPLAYED HERE ARE A FEW EXAMPLES. CONFIGURATIONS OTHER THAN THAT SHOWN IN THE INSTALLATION INSTRUCTIONS FOR THE 3612/3612F MAY AFFECT COMPLIANCE WITH ADA REGULATIONS. IT IS THE RESPONSIBILITY OF THE INSTALLER TO UNDERSTAND LOCAL, STATE, AND FEDERAL REGULATIONS AS APPLICABLE IF INSTALLING THIS FOUNTAIN IN CONFIGURATIONS OTHER THAN THAT INDICATED ON SHEET 1 (PAGE 6 OF 11).



ADA ARM HEIGHT POSITION OPTIONS				
	LEFT SIDE*	RIGHT SIDE*	ARM HEIGHT (LOWER EDGE)	BUBBLER NOZZLE HEIGHT
STANDING ADA	YES (STD)	NO	31-7/8 [809 mm]	39-3/8 [999 mm]**
WHEELCHAIR ADA	YES	YES (STD)	27 [687 mm]	34-5/8 [878 mm]
CHILD ADA	YES	YES	22-1/4 [566 mm]	29-7/8 [757 mm]

* RIGHT AND LEFT CAN BE REVERSED IF PEDESTAL IS ROTATED 180°.

**NOZZLE HEIGHT IS 41-1/2" WHEN FOUNTAIN IS INSTALLED ON TOP OF PEDESTAL.



1455 KLEPPE LANE
SPARKS, NEVADA 89431
(775) 359-4712 FAX (775) 359-7424
E-MAIL: HAWS@HAWSCO.COM
WEBSITE: WWW.HAWSCO.COM

ECN: 5666	REV. ECN: 5719	BY: DP	MODEL(S) 3612 & 3612F	PART NUMBER 0580001180.D
DRAWN: DHP	DATE: 6/11/20	CHKD: BJM		REVISION 2
APPROVED: FV	DATE: 09/16/21	SCALE: 1:24	DRAWING TYPE: INSTALLATION	SIZE: A

SHEET 6 OF 6