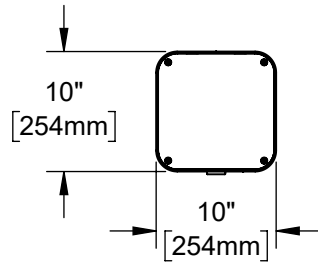
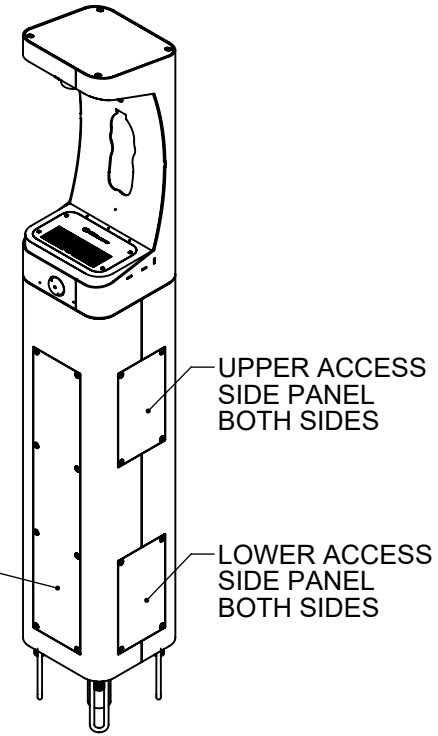


NOTES:

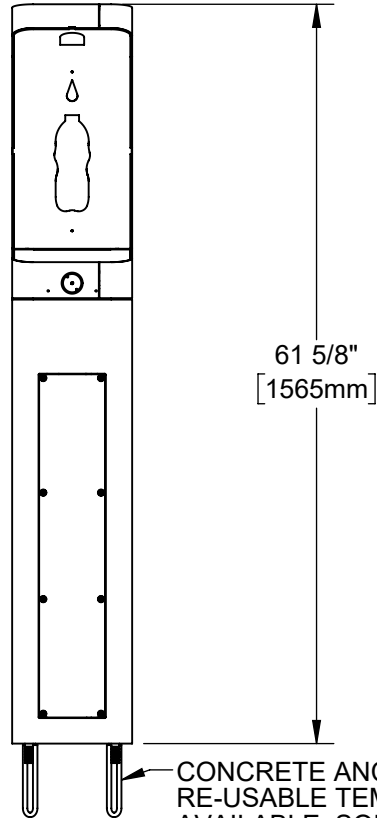
1. WHEN INSTALLING THIS UNIT, LOCAL, STATE, OR FEDERAL CODES SHOULD BE ADHERED TO. INSTALL A TRAP IN THE WASTE LINE AND A SCREWDRIVER STOP IN THE SUPPLY LINE IF REQUIRED.



NOTE: PUSH BUTTON SHOWN IS FOR REF. ONLY. ACTUAL PUSH BUTTON IS DIFFERENT STYLE



ADA COMPLIANT BOTTLE FILLER



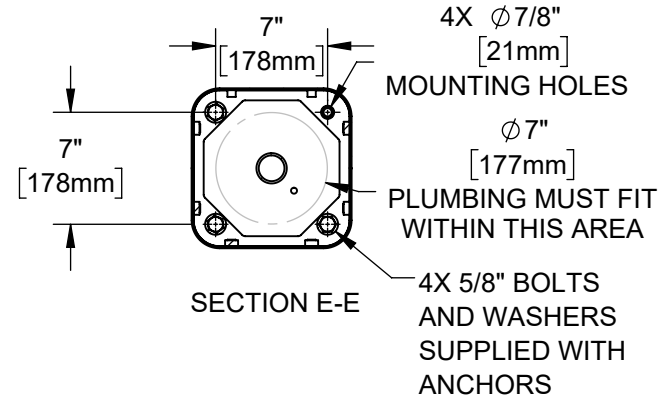
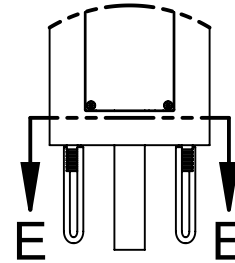
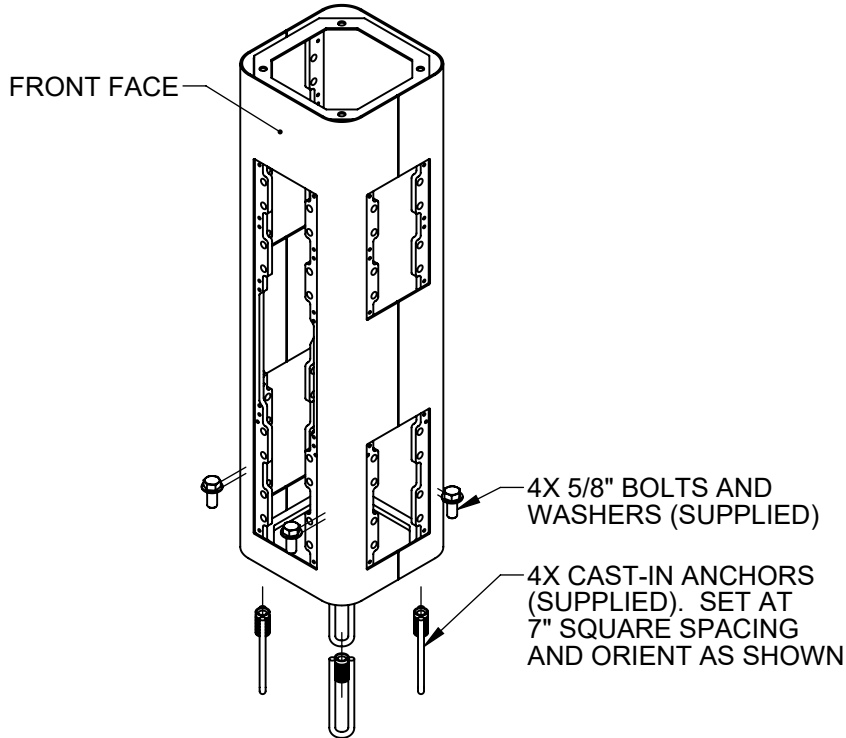
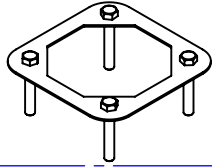
CONCRETE ANCHORS INCLUDED. RE-USABLE TEMPLATE MODEL MTG.3600 AVAILABLE, SOLD SEPARATELY.

HAWS MODEL 3610FR IS FULLY COMPLIANT WITH THE FEDERAL 2010 AMERICANS WITH DISABILITIES ACT (ADA) ACCESSIBILITY REQUIREMENTS WHEN INSTALLED AS SHOWN HERE AND WHEN INSTALLED WITH PROPER CLEARANCES AND ACCESS. LOCATE THE PEDESTAL BASE WITH AT LEAST 8" OF CLEAR UNOBSTRUCTED HARDSCAPE BEHIND THE PEDESTAL. IT IS THE RESPONSIBILITY OF THE INSTALLER TO ADHERE TO LOCAL, STATE, AND FEDERAL CODES WHEN INSTALLING THIS UNIT. DISTANCE TO SURROUNDING OBJECTS, APPROACH SURFACES, ETC. SHOULD BE CONSIDERED.

| | | | |
|-----------------------------|--|---|---|
| | | 1455 KLEPPE LANE SPARKS, NEVADA 89431 (775) 359-4712 FAX (775) 359-7424 E-MAIL: HAWS@HAWS.CO.COM WEBSITE: WWW.HAWS.CO.COM | |
| | | ECN: 5652 DRAWN: DHP APPROVED: FV | REV. ECN: 5719 DATE: 6/11/20 DATE: 09/16/21 |
| PART NUMBER 0580001170.D | | | REVISION 2 |
| SCALE: 1:24 | | DRAWING TYPE: INSTALLATION | SIZE: A SHEET 1 OF 7 |


INSTALLATION INSTRUCTIONS

MODEL MTG.3600
(OPTIONAL)
TEMPLATE FOR
SPACING ANCHORS
DURING CONCRETE
POUR

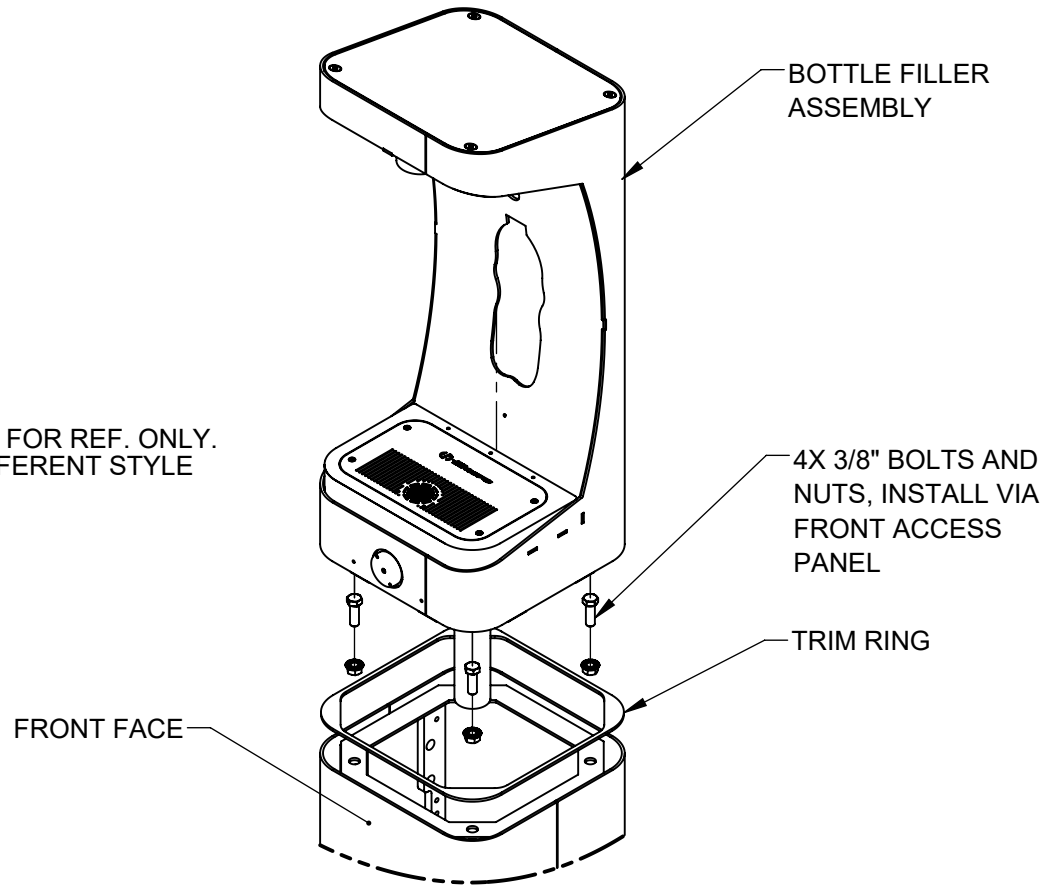


STEP 1

MOUNT PEDESTAL TO CONCRETE SLAB IN DESIRED ORIENTATION. SLAB TO BE 30" MINIMUM SQUARE AND 6" MINIMUM THICK (BY OTHERS). PLUMBING CAST IN CONCRETE MUST FIT IN 7" DIAMETER AREA CENTERED UNDER PEDESTAL LOCATION. FOR 3610FR MODEL, SEE REQUIRED BURY VALVE (NOT SUPPLIED) INSTALLATION REQUIREMENTS ON SHEET 6.

| | | | | | |
|---|-------------------|----------------|-------------------------------|---|-------------------|
|  | | | | 1455 KLEPPE LANE SPARKS, NEVADA 89431 (775) 359-4712 FAX (775) 359-7424 E-MAIL: HAWS@HAWS.CO.COM WEBSITE: WWW.HAWS.CO.COM | |
| | | | | ECN: 5652 | REV. ECN: 5719 |
| DRAWN: DHP | DATE: 6/11/20 | CHKD: BJM | | REVISION 2 | |
| APPROVED: FV | DATE: 09/16/21 | SCALE: 1:24 | DRAWING TYPE: INSTALLATION | SIZE: A | SHEET 2 OF 7 |

INSTALLATION INSTRUCTIONS



NOTE: PUSH BUTTON SHOWN IS FOR REF. ONLY. ACTUAL PUSH BUTTON IS DIFFERENT STYLE

STEP 2

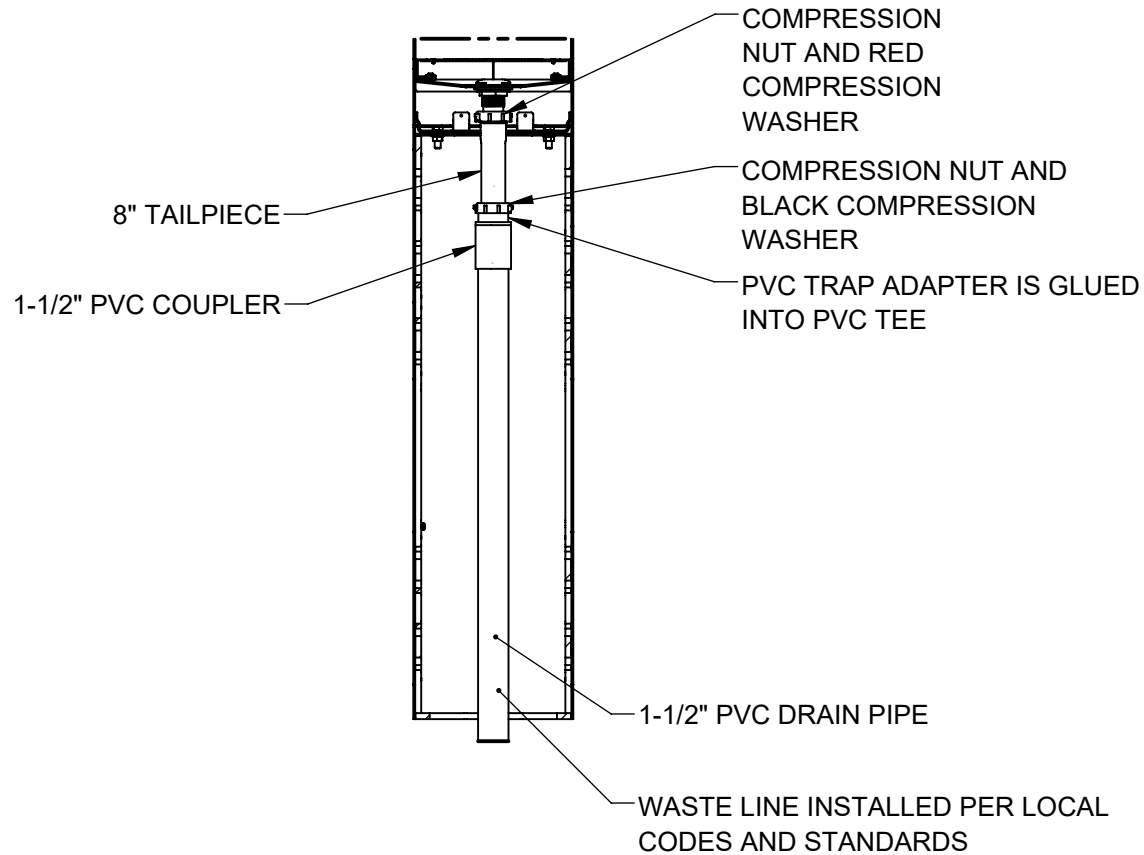
PLACE SQUARE TRIM RING ON BOTTOM OF BOTTLE FILLER AND PLACE BOTTLE FILLER ON TOP OF PEDESTAL, FACING THE FRONT. USE 3/8" BOLTS AND NUTS VIA THE FRONT ACCESS PANEL TO SECURE BOTTLE FILLER TO PEDESTAL. CAREFULLY CENTER TRIM RING AND BOTTLE FILLER AND TORQUE BOLTS/NUTS TO 18 FT-LBS.



1455 KLEPPE LANE
SPARKS, NEVADA 89431
(775) 359-4712 FAX (775) 359-7424
E-MAIL: HAWS@HAWSO.COM
WEBSITE: WWW.HAWSO.COM


| | | | | |
|-----------------|-------------------|----------------|-------------------------------|-----------------------------|
| ECN: 5652 | REV. ECN: 5719 | BY: FV | MODEL(S) 3610FR | PART NUMBER 0580001170.D |
| DRAWN: DHP | DATE: 6/11/20 | CHKD: BJM | | REVISION 2 |
| APPROVED: FV | DATE: 09/16/21 | SCALE: 1:24 | DRAWING TYPE: INSTALLATION | SIZE: A |

INSTALLATION INSTRUCTIONS

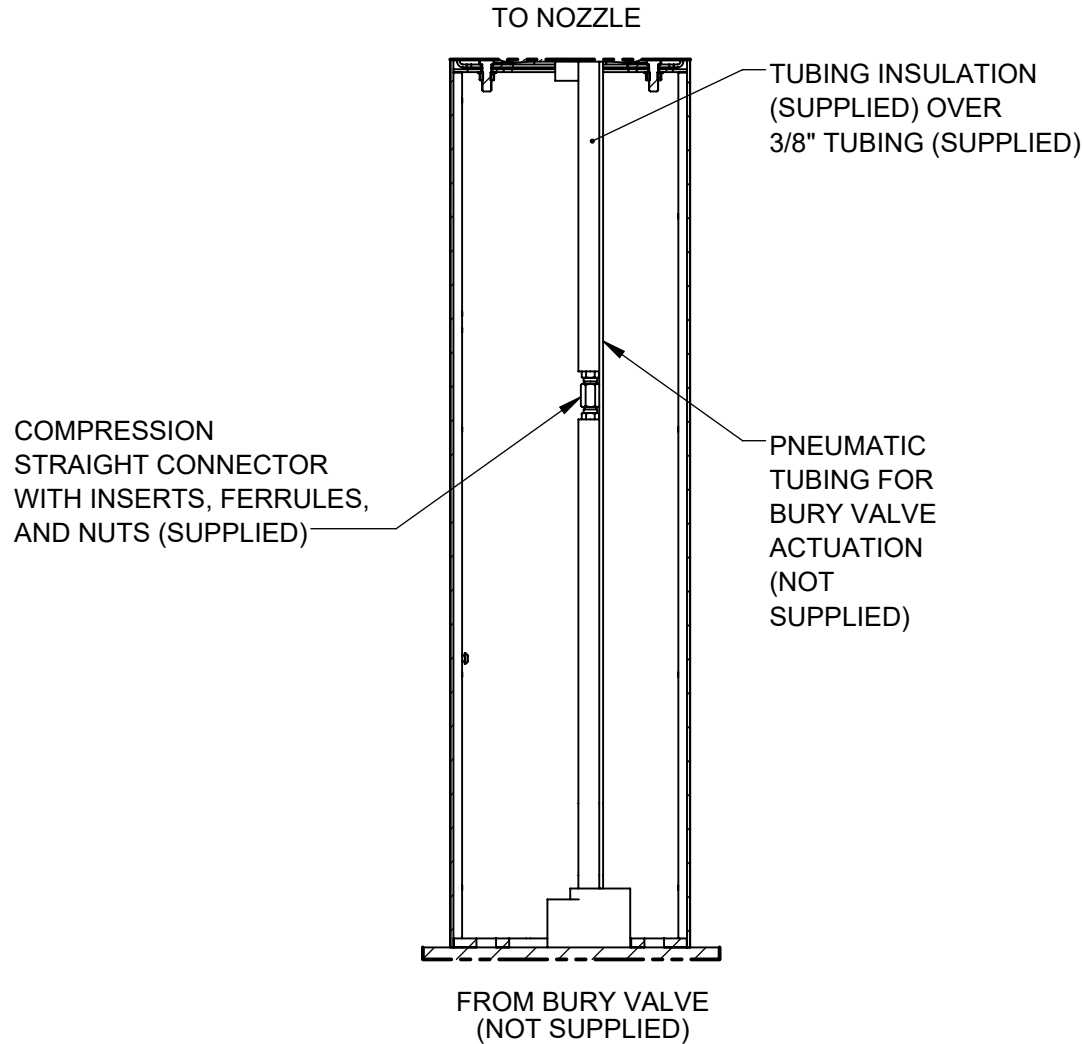


STEP 3

INSTALL SUPPLIED DRAIN COMPONENTS AS SHOWN. RED COMPRESSION WASHER ADAPTS FROM 1-1/4" TO 1-1/2" AT DRAIN TAIL PIECE. BLACK COMPRESSION WASHER IS USED IN TRAP ADAPTER AT COUPLER. USE APPROPRIATE PVC CEMENT TO MAKE SOLVENT CEMENT CONNECTIONS. TRIM TAIL PIECE LENGTH IF REQUIRED. NOTE THAT EXTRA PARTS MAY BE INCLUDED TO FACILITATE OTHER CONFIGURATIONS OF THIS FOUNTAIN.

| | | | | |
|---|--|----------------------------|---|---|
|  | | | 1455 KLEPPE LANE SPARKS, NEVADA 89431 (775) 359-4712 FAX (775) 359-7424 E-MAIL: HAWS@HAWSO.COM WEBSITE: WWW.HAWSO.COM | |
| | | | ECN: 5652 DRAWN: DHP APPROVED: FV | REV. ECN: 5719 DATE: 6/11/20 DATE: 09/16/21 |
| SCALE: 1:24 | | DRAWING TYPE: INSTALLATION | | SIZE: A |

INSTALLATION INSTRUCTIONS




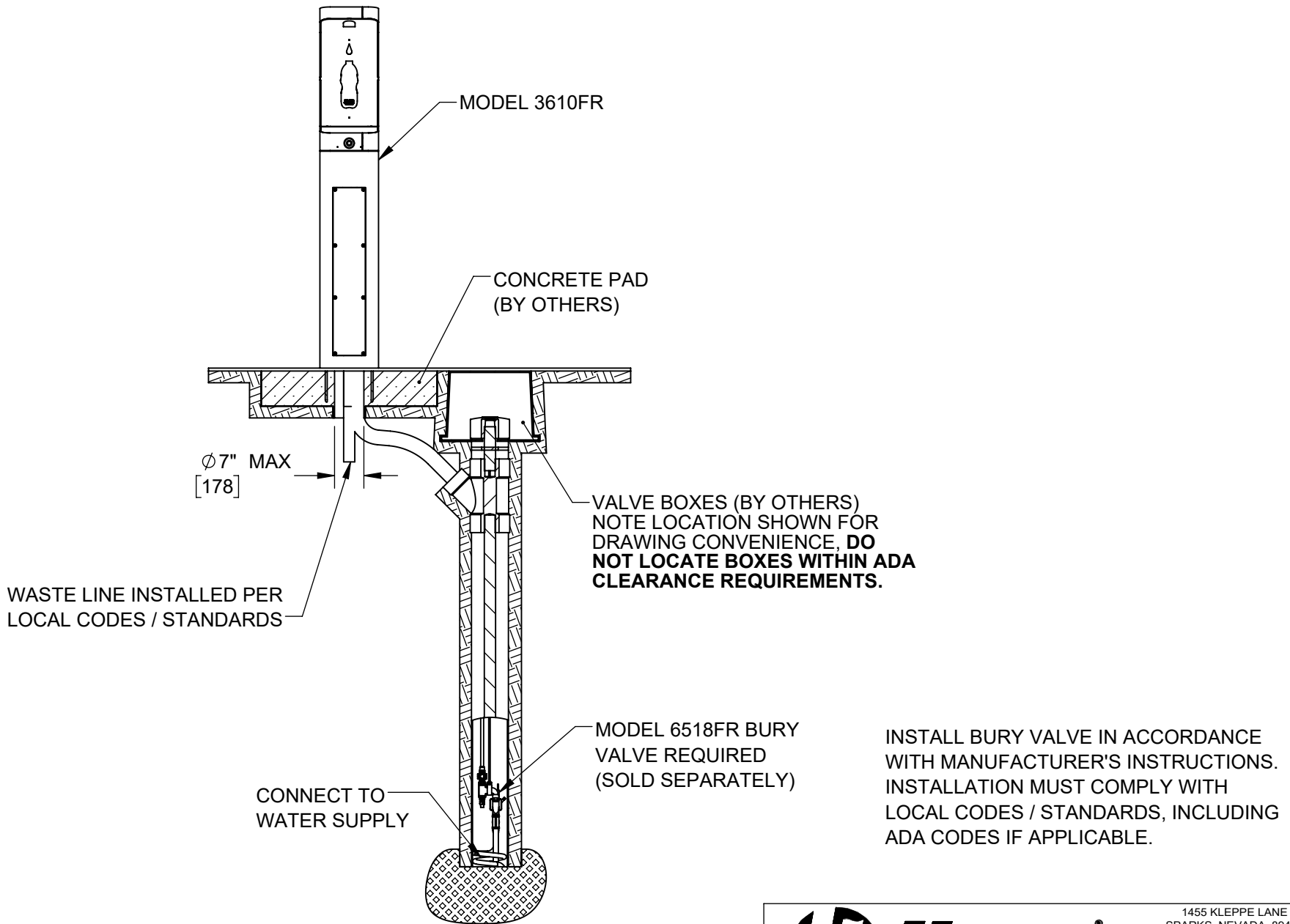
3610FR SUPPLY PLUMBING*

* SEE NEXT SHEET OF THIS DRAWING FOR MORE INFORMATION ON INSTALLING BURY VALVES WITH THIS MODEL.

STEP 4


COMPLETE WATER SUPPLY PLUMBING AS SHOWN. OPEN SUPPLY VALVE AND TEST. REPLACE PEDESTAL ACCESS PLATES BURY VALVE (NOT SUPPLIED) IS REQUIRED FOR 3610FR INSTALLATION. REFER TO BURY VALVE OPERATION AND MAINTENANCE MANUAL FOR ADDITIONAL INFORMATION.

| | | | |
|---|--|---|---|
|  | | 1455 KLEPPE LANE SPARKS, NEVADA 89431 (775) 359-4712 FAX (775) 359-7424 E-MAIL: HAWS@HAWSO.COM WEBSITE: WWW.HAWSO.COM | |
| | | ECN: 5652 DRAWN: DHP APPROVED: FV | REV. ECN: 5719 DATE: 6/11/20 DATE: 09/16/21 |
| PART NUMBER 0580001170.D | | | REVISION 2 |
| SCALE: 1:24 | | DRAWING TYPE: INSTALLATION | SIZE: A SHEET 5 OF 7 |



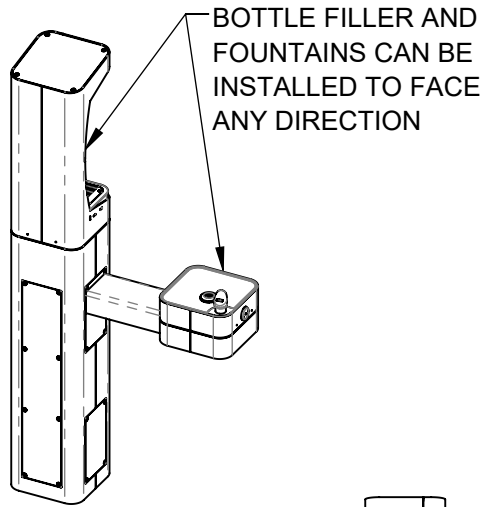
3610FR GENERAL BURY VALVE LAYOUT (FOR REFERENCE ONLY)

INSTALL BURY VALVE IN ACCORDANCE WITH MANUFACTURER'S INSTRUCTIONS. INSTALLATION MUST COMPLY WITH LOCAL CODES / STANDARDS, INCLUDING ADA CODES IF APPLICABLE.

| | | | |
|---|--|---|---|
|  | | 1455 KLEPPE LANE SPARKS, NEVADA 89431 (775) 359-4712 FAX (775) 359-7424 E-MAIL: HAWS@HAWS.CO.COM WEBSITE: WWW.HAWS.CO.COM | |
| | | ECN: 5652 DRAWN: DHP APPROVED: FV | REV. ECN: 5719 DATE: 6/11/20 DATE: 09/16/21 |
| PART NUMBER 0580001170.D | | | REVISION 2 |
| SCALE: 1:24 | | DRAWING TYPE: INSTALLATION | SIZE: A SHEET 6 OF 7 |

NOTES ON OPTIONAL CONFIGURATIONS

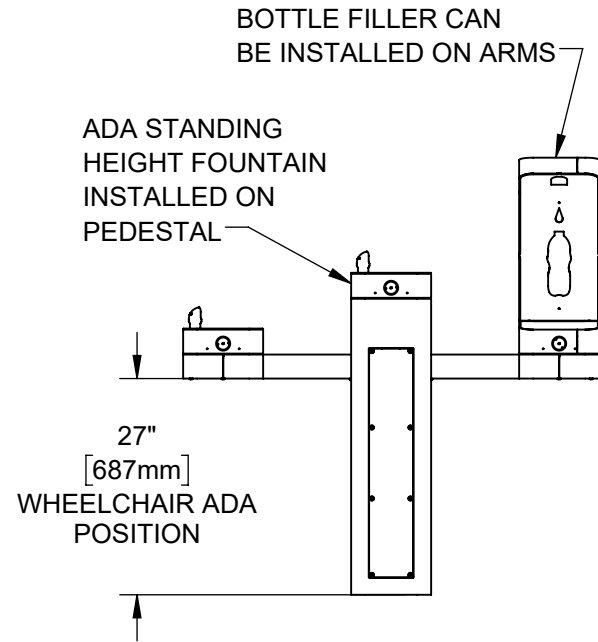
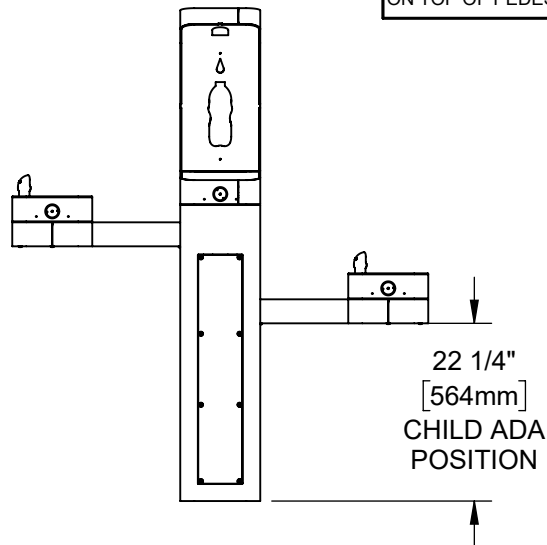
HAWS 3600FR SERIES OUTDOOR FOUNTAINS ARE MODULAR AND CAN BE ASSEMBLED AND CONFIGURED MANY DIFFERENT WAYS. DISPLAYED HERE ARE A FEW EXAMPLES. CONFIGURATIONS OTHER THAN THAT SHOWN IN THE INSTALLATION INSTRUCTIONS FOR THE 3610FR MAY AFFECT COMPLIANCE WITH ADA REGULATIONS. IT IS THE RESPONSIBILITY OF THE INSTALLER TO UNDERSTAND LOCAL, STATE, AND FEDERAL REGULATIONS AS APPLICABLE IF INSTALLING THIS FOUNTAIN IN CONFIGURATIONS OTHER THAN THAT INDICATED ON SHEET 1 (PAGE 6 OF 12).



| ADA ARM HEIGHT POSITION OPTIONS | | | | |
|---------------------------------|------------|-------------|-------------------------|-----------------------|
| | LEFT SIDE* | RIGHT SIDE* | ARM HEIGHT (LOWER EDGE) | BUBBLER NOZZLE HEIGHT |
| STANDING ADA | YES (STD) | NO | 31-7/8 [809 mm] | 39-3/8 [999 mm]** |
| WHEELCHAIR ADA | YES | YES (STD) | 27 [687 mm] | 34-5/8 [878 mm] |
| CHILD ADA | YES | YES | 22-1/4 [566 mm] | 29-7/8 [757 mm] |

* RIGHT AND LEFT CAN BE REVERSED IF PEDESTAL IS ROTATED 180°.

**NOZZLE HEIGHT IS 41-1/2" WHEN FOUNTAIN IS INSTALLED ON TOP OF PEDESTAL.



NOTE: PUSH BUTTONS SHOWN ARE FOR REF. ONLY, ACTUAL PUSH BUTTONS ARE DIFFERENT STYLE.

| | | | |
|--|--|---|---------------------------------------|
| | | 1455 KLEPPE LANE SPARKS, NEVADA 89431 (775) 359-4712 FAX (775) 359-7424 E-MAIL: HAWS@HAWSO.COM WEBSITE: WWW.HAWSO.COM | |
| | | ECN: 5652 REV. ECN: 5719 DRAWN: DHP APPROVED: FV | BY: FV CHKD: BJM DATE: 09/16/21 |
| SCALE: 1:24 DRAWING TYPE: INSTALLATION SIZE: A | | SHEET 7 OF 7 | |