



INSTALLATION, OPERATION & MAINTENANCE INSTRUCTIONS

1455 Kleppe Lane ♦ Sparks, NV 89431-6467 ♦ (775) 359-4712 ♦ Fax (775) 359-7424
E-mail: haws@hawsco.com ♦ website: www.hawsco.com

No. 0510001189 (3)

MODELS 3611 & 3611F (with Filter) Outdoor Bottle Filler/Drinking Fountain

NOTE TO INSTALLER: Please leave this information with the Maintenance Department.

LIMITED WARRANTY

HAWS warrants that all of its products are guaranteed against defective material or poor workmanship for a period of **one year from the date of shipment**. The foregoing notwithstanding, *HAWS* warrants certain specific products or components thereof for an adjusted period. A list of these excepted products and components and a description of their respective warranty terms may be found here: www.hawsco.com/warranty. *HAWS'* liability under this warranty shall be discharged by furnishing without charge F.O.B. *HAWS* factory any goods, or part thereof, which shall appear to the Company upon inspection to be of defective material or not of first-class workmanship, provided that a claim is made in writing to Company within a reasonable period after receipt of the product. Where claims for defects are made, the defective part or parts shall be delivered to the Company, prepaid, for inspection. *HAWS* shall not be liable for the cost of repairs, alterations or replacements, or the labor required to implement them, or for any expense connected therewith made by the owner or owner's agents, except upon written authority from *HAWS*. *HAWS* shall not be liable for any damages caused by defective materials or poor workmanship, except for replacements, as provided above. Buyer agrees that *HAWS* has made no other warranties either express or implied in addition to those above stated, except that of title with respect to any of the products or equipment sold hereunder and that *HAWS* shall not be liable for general, special, incidental, or consequential damages claimed to arise under the contract of sale.

Equipment manufactured by *HAWS* is warranted to function if installation and maintenance instructions provided are adhered to. The units also must be used for the purpose for which they were intended. Any *HAWS* emergency equipment is intended to supplement first-aid treatment. Due to widely varying conditions, *HAWS* cannot guarantee that the use of this emergency equipment will prevent serious injury or the aggravation of existing or prior injuries.

EXCEPT AS EXPRESSLY STATED HEREIN, HAWS HEREBY DISCLAIMS ALL WARRANTIES, WHETHER EXPRESS OR IMPLIED, ARISING BY LAW OR OTHERWISE, INCLUDING WITHOUT LIMITATION, ANY IMPLIED WARRANTIES OF MERCHANTABILITY AND FITNESS FOR A PARTICULAR PURPOSE. THIS WARRANTY MAY NOT BE MODIFIED OR EXTENDED WITHOUT THE WRITTEN CONSENT OF HAWS. REMEDIES AND REPLACEMENTS STATED HEREIN ARE EXCLUSIVE. IN NO EVENT SHALL HAWS BE LIABLE FOR ANY SPECIAL, PUNITIVE, CONSEQUENTIAL OR INCIDENTAL DAMAGES TO ANY PERSON INCLUDING BUT NOT LIMITED TO DAMAGES FOR LOSS OF USE OR PROFITS, SUBSTITUTE PRODUCTS OR COSTS, PROPERTY DAMAGE, OR OTHER MONETARY LOSS.

SHOULD YOU EXPERIENCE DIFFICULTY WITH THE INSTALLATION OF THIS MODEL PLEASE CALL:

TECHNICAL SUPPORT: 1-800-766-5612
FOR CUSTOMER SERVICE: 1-888-640-4297

RECOMMENDED TOOLS:

- Measuring Tape
- PVC Pipe Cutter
- Plastic Tubing Cutter
- PVC Solvent Weld Glue
- ¼" Bit-Holding Screwdriver
- Level
- 10" Pipe Wrench
- Adjustable Plier
- 1/8 and 5/32 Tamper Resistant Hex Bits (Supplied)
- 9/16" and 5/8" Box/Open Combination Wrenches, 8" Max Length
- 3/8" Socket Wrench/Ratchet, 8" Max Length
- 9/16" Deep Socket
- 15/16" Socket

LOCATION OF UNIT: The Model 3611/3611F (with Filter) Bottle Filler and Fountain can be installed and assembled to be ADA accessible by first locating the pedestal base on a hardscape with dimensions that comply with your local, state, and federal codes regarding clear floor space and pedestrian protection area. Refer to the last page of this document for more information. When the right pedestal arm is installed in the high orientation, the height dimensions shown on the model specification sheet meet current Federal Americans with Disabilities Act (ADA) wheelchair requirements. The bottle filler meets ADA requirements for either a front approach or a side approach. When installing this unit, local, state and federal (including ADA) codes must be adhered to. If height other than shown is required, then dimensions must be adjusted accordingly.

ATTENTION: For model 3611F (model with Filter), the Operating Temperature Range for the 6477 Filter Kit Assembly (Required - supplied separately) is 40° F - 100° F (4.4° C – 37.8° C).

SUPPLY LINE: Model 3611 – The minimum recommended line size is 1/2"IPS with 30-90 psi (2-6 ATM) flowing pressure. Where sediment or mineral content is a problem, an inlet filter is recommended. **Model 3611F (with Filter)** – The minimum recommended line size is 1/2"IPS with 40-90 psi (2.76-6 ATM) flowing pressure.

PLUMBING CONNECTIONS: Model 3611 – Water supply inlet connection is a 3/8"O.D. compression fitting. Waste outlet is 1-1/2" PVC pipe. **Model 3611F** – Water supply inlet and outlet connection (for Filter) is a 3/8"O.D. push-in type fitting. Waste outlet is 1-1/2" PVC pipe. Plumbing connections will vary depending on how each model is configured during assembly. Please consult the installation drawings below for supply and waste fitting arrangements and assembly for your specific model.

MAINTENANCE: Models 3611 & 3611F Periodically clean the pushbutton valve strainer. Refer to 5874 Series Valve Operation and Maintenance Manual for more information. **Model 3611F** – Filter replacement to occur at 1 year maximum or 3,000 gallons maximum, whichever comes first. Replace filter per Filter Replacement instructions listed on model 6477 Operation & Maintenance Manual.

INSTALLATION PROCEDURE

GENERAL NOTES:

1. For all compression fitting connections, only connect NSF-61 copper or plastic 3/8" outside diameter tubing. The following assembly instructions must be followed to ensure a watertight connection:

- a. Cut tubing square and clean. Deburr if necessary.
- b. Place compression nut and ferrule over end of tubing.
- c. For plastic tubing (must be 1/4" inside diameter), insert supplied tubing insert into end of tubing.
- d. Push tube into the fitting until it bottoms out.
- e. Thread nut onto fitting and tighten snugly with 5/8" wrenches.

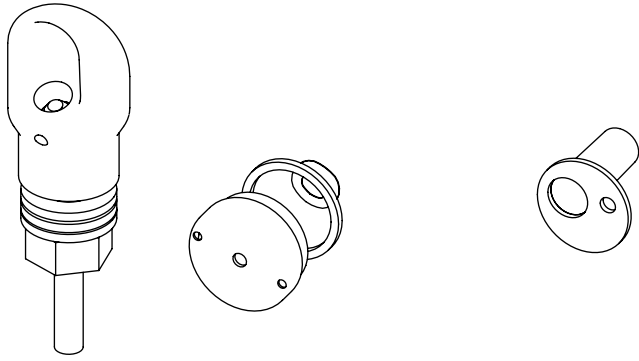
Tube Sizes	O.D. Tolerance	Insertion Depth
3/8"	±.005"	3/4"

TROUBLESHOOTING	
PROBLEM	REPAIR CHECKLIST
1. Insufficient bubbler flow (From Drinking Fountain)	<ol style="list-style-type: none"> 1a. For 3611 – Verify minimum 30 psi flowing supply pressure. For 3611F – Verify minimum 40 psi flowing supply pressure. b. Check that inlet screwdriver stop valve is wide open. Clean inlet strainer or adjust valve to increase flow. See 5874 Series Valve Manual*. c. For 3611F (Only) – Check water filter. Replace at 1 year or 3,000 gallons (max.), whichever comes first.
2. Insufficient bottle filler flow	<ol style="list-style-type: none"> 2a. For 3611 – Verify minimum 30 psi flowing supply pressure. For 3611F – Verify minimum 40 psi flowing supply pressure. b. Nozzle strainer is clogged. Use nozzle removal tool to remove strainer and replace. Replacement strainers may be ordered by calling Customer Service. c. Check that inlet screwdriver stop valve is wide open. Clean inlet strainer or adjust valve to increase flow. See 5874 Series Valve Manual*. d. For 3611F (Only) – Check water filter. Replace at 1 year or 3,000 gallons (max.), whichever comes first.

*For more information about Haws products, see our website: www.hawSCO.com

© 2022 Haws® Corporation – All Rights Reserved
 HAWS® and other trademarks used in these materials are the exclusive property of Haws Corporation.

REPLACEMENT PARTS DRINKING FOUNTAIN

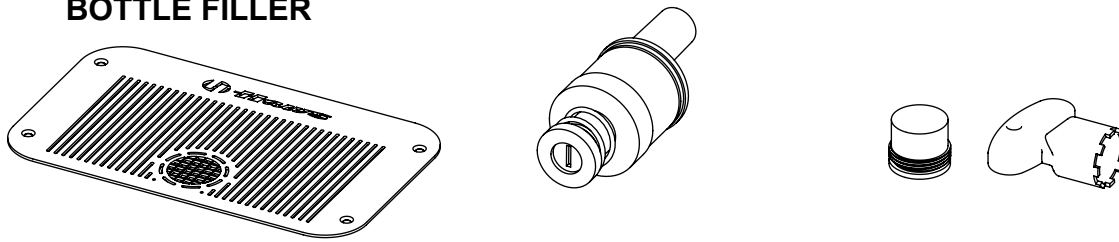


**MODEL 5703M
BUBBLER HEAD**

**MODEL 5874PB
PUSHBUTTON**

**MODEL VRK5874
VALVE REPAIR KIT**

REPLACEMENT PARTS BOTTLE FILLER

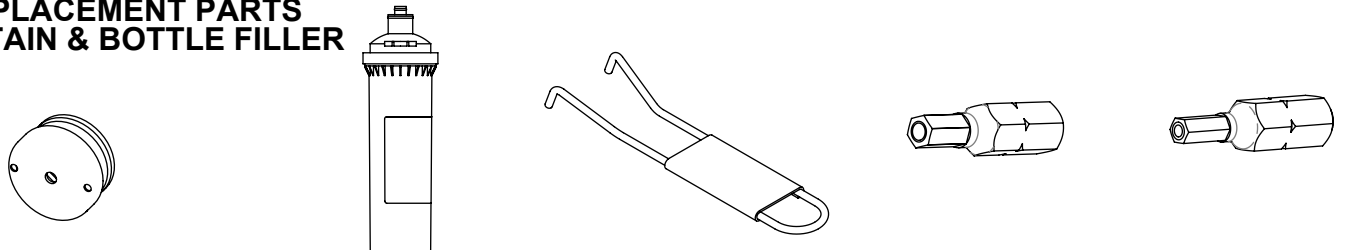


**0410000564
BOTTLE FILLER DRAIN
COVER PLATE**

**MODEL VRK5874HF
VALVE REPAIR KIT,
HIGH FLOW**

**MODEL VRKNOZ1
QTY 10 AERATORS
AND INSTALL TOOL**

REPLACEMENT PARTS FOUNTAIN & BOTTLE FILLER



**MODEL PBA7
BUTTON ASSEMBLY**

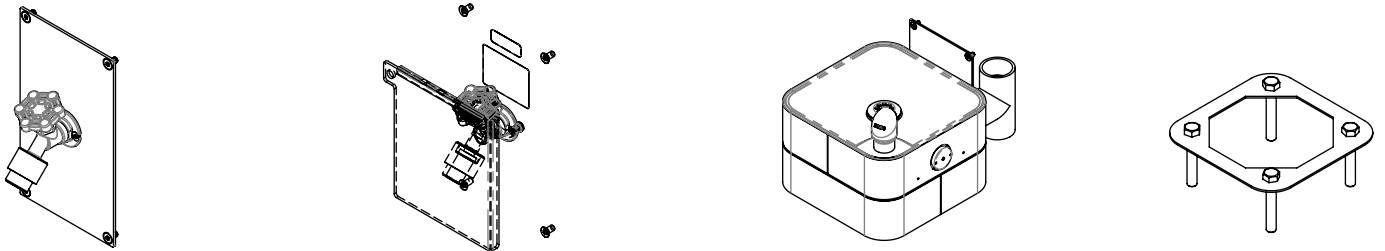
**MODEL 6428
FILTER CARTRIDGE
(FOR 36XXF SERIES
MODELS)**

**0006983506
SPANNER WRENCH**

**0510001030
HEX BIT,
PINNED, 5/32"**

**0510001029
HEX BIT,
PINNED, 1/8"**

OPTIONAL ACCESSORIES



**MODEL 3661 HOSE BIB
(NOT FREEZE RESISTANT)**

**MODEL 3660 LOCKABLE HOSE BIB
(NOT FREEZE RESISTANT)**

**MODEL 3670 DOG BOWL
(NOT FREEZE RESISTANT)**

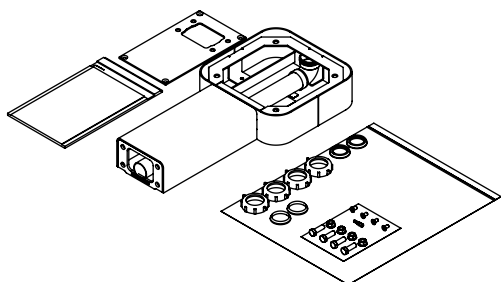
**MODEL MTG.3600
INSTALLATION AID**

3611 & 3611F MODULAR OUTDOOR FOUNTAIN SYSTEM PARTS BREAKDOWN

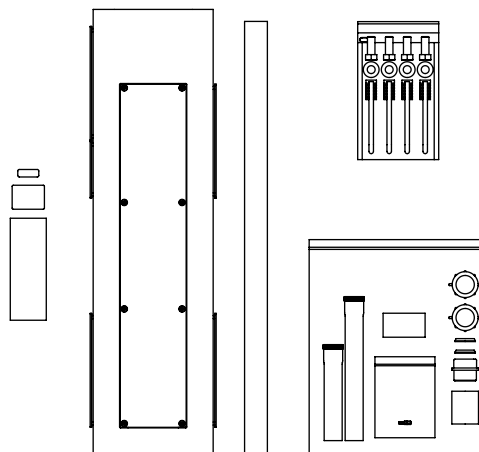
WHEN ORDERING PARTS, PLEASE
SPECIFY PART NUMBER

		1455 KLEPPE LANE SPARKS, NEVADA 89431 (775) 359-4712 FAX (775) 359-7424 E-MAIL: HAWS@HAWS.CO.COM WEBSITE: WWW.HAWS.CO.COM	
ECN: 5666	REV. ECN: 5822	BY: JU	MODEL(S) 3611 & 3611F
DRAWN: DHP	DATE: 6/11/20	CHKD: BJM	PART NUMBER 0510001189
APPROVED: FV	DATE: 07/12/22	SCALE: 1:2	REVISION 3
DRAWING TYPE: PARTS BREAKDOWN		SIZE: A	SHEET 1 OF 2

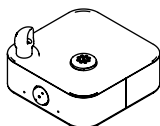
AVAILABLE SUB COMPONENT MODELS



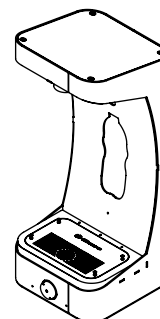
MODEL 3671 PEDESTAL ARM ASSEMBLY



MODEL 3674 PEDESTAL ASSEMBLY



MODEL 3680 FOUNTAIN ASSEMBLY




MODEL 3690 BOTTLE FILLER ASSEMBLY

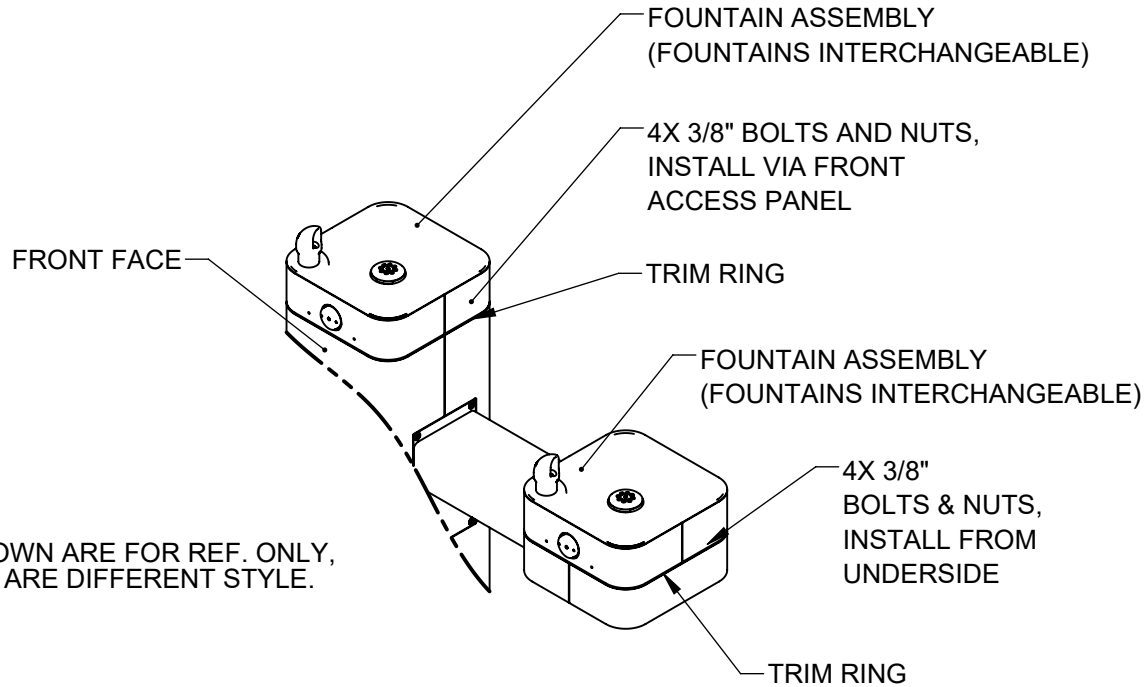
3611 & 3611F MODULAR OUTDOOR FOUNTAIN SYSTEM

PARTS BREAKDOWN

WHEN ORDERING PARTS, PLEASE
SPECIFY PART NUMBER

			1455 KLEPPE LANE SPARKS, NEVADA 89431 (775) 359-4712 FAX (775) 359-7424 E-MAIL: HAWS@HAWS.CO.COM WEBSITE: WWW.HAWS.CO.COM	
			PART NUMBER 0510001189	REVISION 3
ECN: 5666	REV. ECN: 5822	BY: JU	MODEL(S) 3611 & 3611F	
DRAWN: DHP	DATE: 6/11/20	CHKD: BJM		
APPROVED: FV	DATE: 07/12/22	SCALE: 1:16	DRAWING TYPE: PARTS BREAKDOWN	SIZE: A


INSTALLATION INSTRUCTIONS



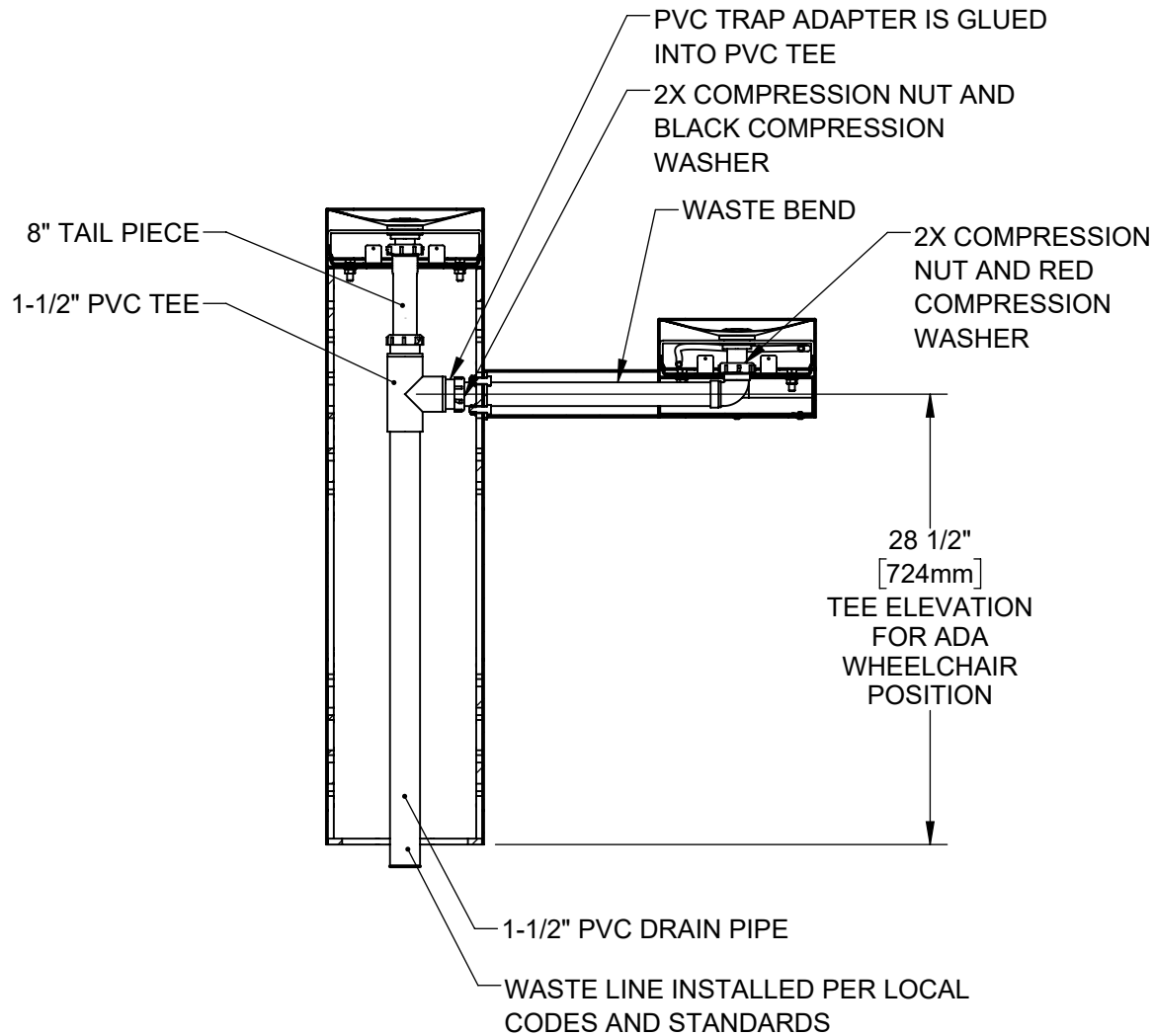
NOTE: PUSH BUTTONS SHOWN ARE FOR REF. ONLY, ACTUAL PUSH BUTTONS ARE DIFFERENT STYLE.

STEP 3

PLACE SQUARE TRIM RING ON TOP OF PEDESTAL AND PLACE ONE FOUNTAIN ASSY. ON TOP OF TRIM RING, FACING THE FRONT. USE 3/8" BOLTS AND NUTS VIA THE FRONT ACCESS PANEL TO SECURE FOUNTAIN ASSY. TO PEDESTAL. PLACE TRIM RING AND INSTALL 2ND FOUNTAIN ASSY. ON ARM AS SHOWN. CAREFULLY CENTER TRIM RINGS AND TORQUE BOLTS AND NUTS TO 18 FT-LBS


		1455 KLEPPE LANE SPARKS, NEVADA 89431 (775) 359-4712 FAX (775) 359-7424 E-MAIL: HAWS@HAWS.CO.COM WEBSITE: WWW.HAWS.CO.COM			
		ECN: 5652	REV. ECN: 5822	BY: JU	MODEL(S) 3602FR
DRAWN: DHP	DATE: 6/11/20	CHKD: BJM		REVISION 3	
APPROVED: FV	DATE: 07/12/22	SCALE: 1:24	DRAWING TYPE: INSTALLATION	SIZE: A	SHEET 3 OF 8

INSTALLATION INSTRUCTIONS

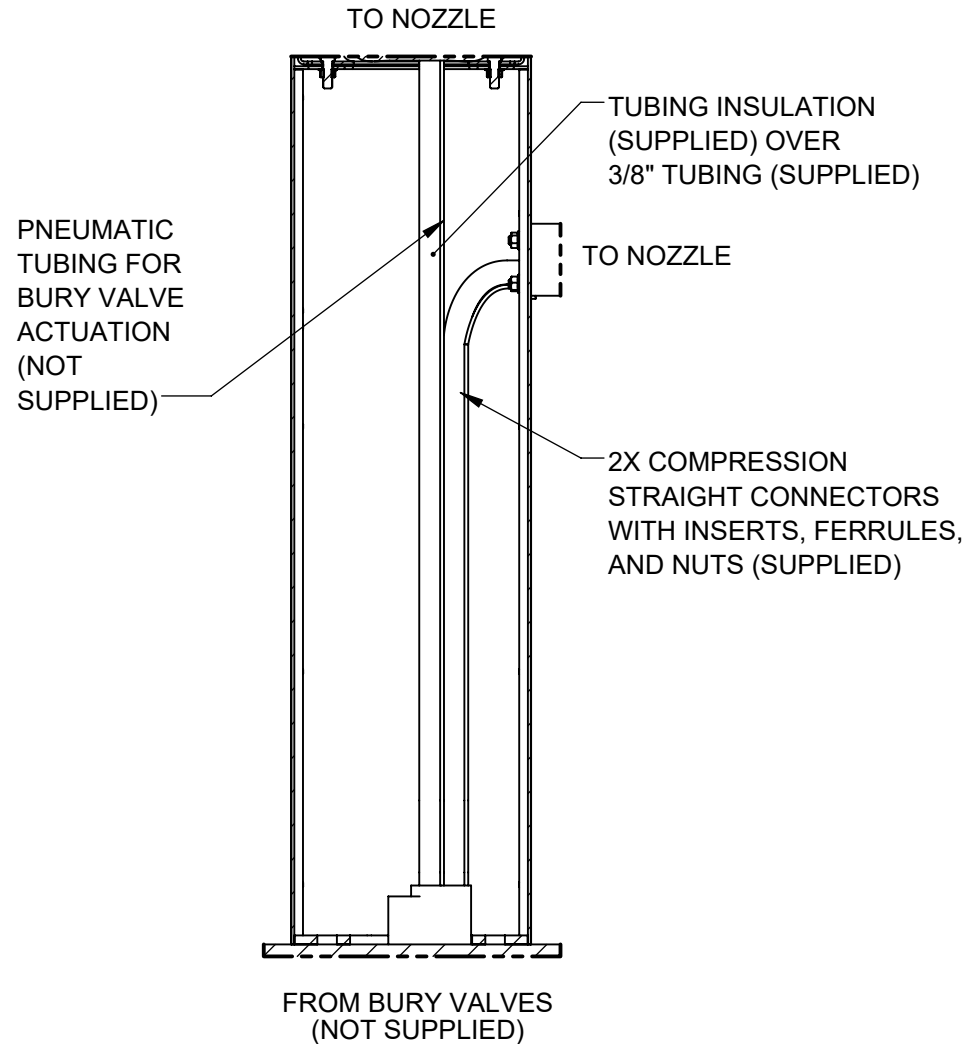


STEP 4

INSTALL SUPPLIED DRAIN COMPONENTS AS SHOWN. RED COMPRESSION WASHERS ADAPT FROM 1-1/4" TO 1-1/2" AT EACH DRAIN TAIL PIECE. BLACK COMPRESSION WASHERS ARE USED IN TRAP ADAPTERS AT TEE. USE APPROPRIATE PVC CEMENT TO MAKE SOLVENT CEMENT CONNECTIONS. TRIM WASTE BEND AND/OR TAIL PIECE LENGTH IF REQUIRED. NOTE THAT EXTRA PARTS MAY BE INCLUDED TO FACILITATE OTHER CONFIGURATIONS OF THIS FOUNTAIN.

		1455 KLEPPE LANE SPARKS, NEVADA 89431 (775) 359-4712 FAX (775) 359-7424 E-MAIL: HAWS@HAWS.CO.COM WEBSITE: WWW.HAWS.CO.COM	
		ECN: 5652 DRAWN: DHP APPROVED: FV	REV. ECN: 5822 DATE: 6/11/20 DATE: 07/12/22
PART NUMBER 0580001169.D			REVISION 3
SCALE: 1:24		DRAWING TYPE: INSTALLATION	SHEET 4 OF 8

INSTALLATION INSTRUCTIONS




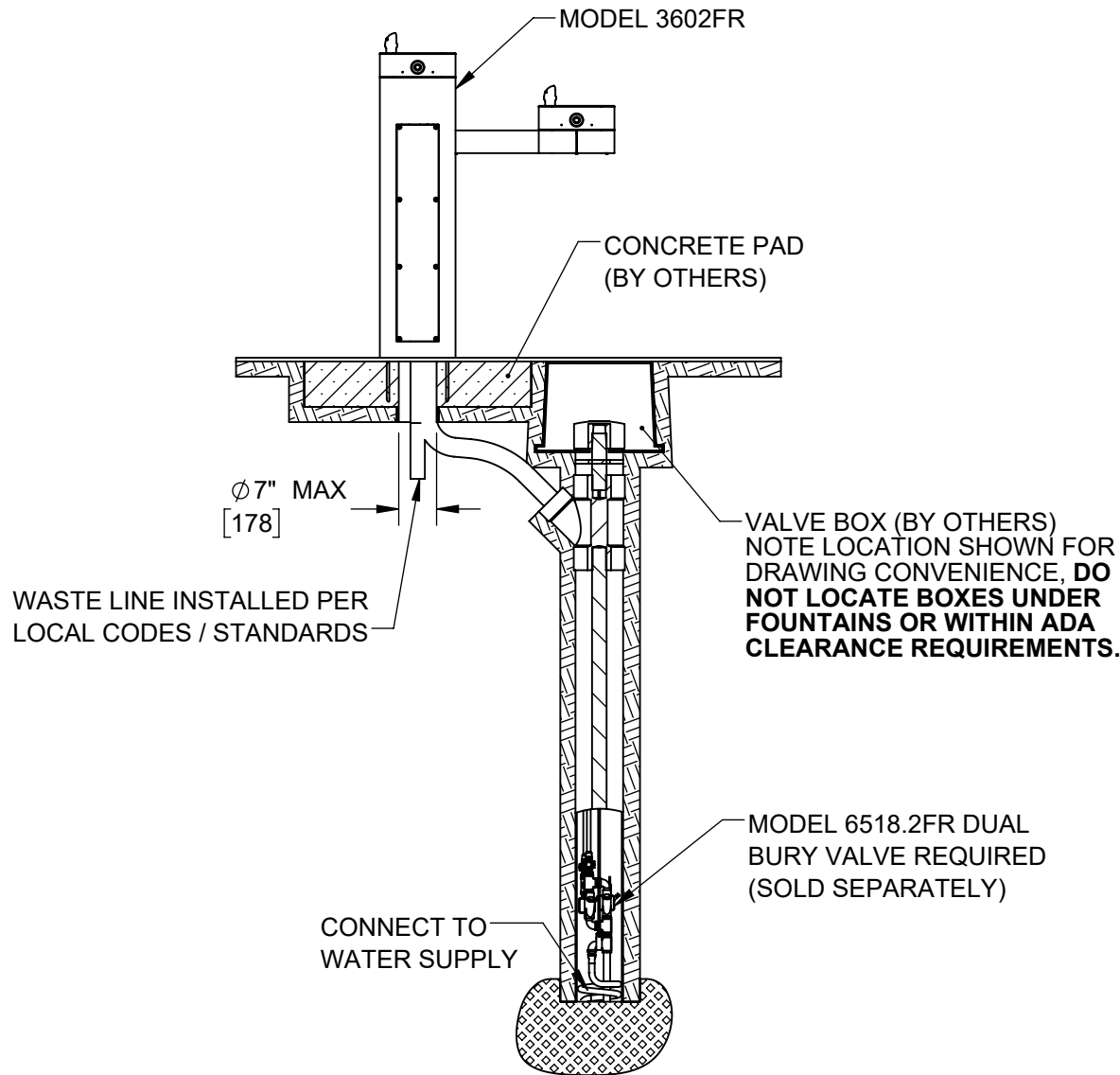
3602FR SUPPLY PLUMBING*

* SEE NEXT SHEET OF THIS DRAWING FOR MORE INFORMATION ON INSTALLING BURY VALVES WITH THIS MODEL.

STEP 5


COMPLETE WATER SUPPLY PLUMBING AS SHOWN. OPEN SUPPLY VALVE(S) AND TEST. REPLACE ARM BOTTOM PLATES AND PEDESTAL ACCESS PLATES. BURY VALVES (NOT SUPPLIED) ARE REQUIRED FOR 3602FR INSTALLATION. REFER TO BURY VALVE OPERATION AND MAINTENANCE MANUAL FOR ADDITIONAL INFORMATION.

		1455 KLEPPE LANE SPARKS, NEVADA 89431 (775) 359-4712 FAX (775) 359-7424 E-MAIL: HAWS@HAWS.CO.COM WEBSITE: WWW.HAWS.CO.COM	
		ECN: 5652 REV. ECN: 5822 BY: JU DRAWN: DHP DATE: 6/11/20 CHKD: BJM APPROVED: FV DATE: 07/12/22	MODEL(S) 3602FR
SCALE: 1:24		DRAWING TYPE: INSTALLATION	SIZE: A SHEET 5 OF 8



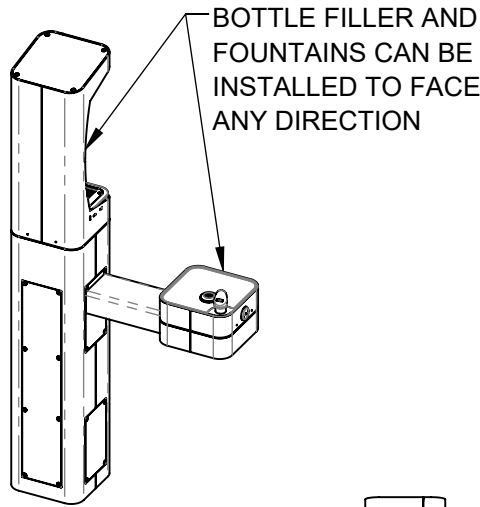
INSTALL BURY VALVES IN ACCORDANCE WITH MANUFACTURER'S INSTRUCTIONS. INSTALLATION MUST COMPLY WITH LOCAL CODES / STANDARDS, INCLUDING ADA CODES IF APPLICABLE.

3602FR GENERAL BURY VALVE LAYOUT (FOR REFERENCE ONLY)

		1455 KLEPPE LANE SPARKS, NEVADA 89431 (775) 359-4712 FAX (775) 359-7424 E-MAIL: HAWS@HAWS.CO.COM WEBSITE: WWW.HAWS.CO.COM	
ECN: 5652	REV. ECN: 5822	BY: JU	MODEL(S) 3602FR
DRAWN: DHP	DATE: 6/11/20	CHKD: BJM	PART NUMBER 0580001169.D
APPROVED: FV	DATE: 07/12/22	SCALE: 1:24	REVISION 3
DRAWING TYPE: INSTALLATION		SIZE: A	SHEET 6 OF 8

NOTES ON OPTIONAL CONFIGURATIONS

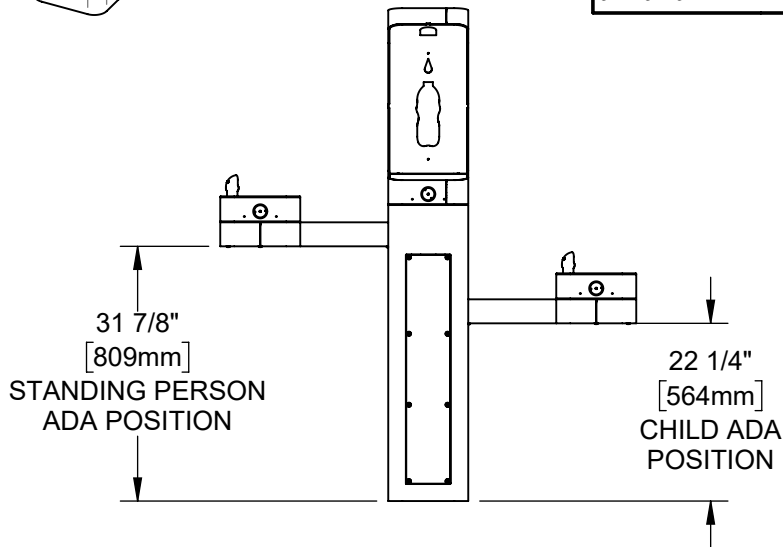
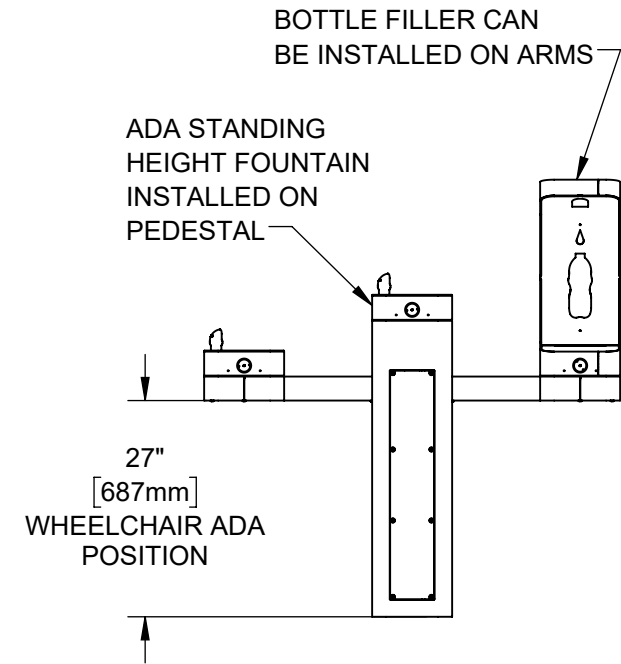
HAWS 3600FR SERIES OUTDOOR FOUNTAINS ARE MODULAR AND CAN BE ASSEMBLED AND CONFIGURED MANY DIFFERENT WAYS. DISPLAYED HERE ARE A FEW EXAMPLES. CONFIGURATIONS OTHER THAN THAT SHOWN IN THE INSTALLATION INSTRUCTIONS FOR THE 3602FR MAY AFFECT COMPLIANCE WITH ADA REGULATIONS. IT IS THE RESPONSIBILITY OF THE INSTALLER TO UNDERSTAND LOCAL, STATE, AND FEDERAL REGULATIONS AS APPLICABLE IF INSTALLING THIS FOUNTAIN IN CONFIGURATIONS OTHER THAN THAT INDICATED ON SHEET 1 (PAGE 6 OF 13).



ADA ARM HEIGHT POSITION OPTIONS				
	LEFT SIDE*	RIGHT SIDE*	ARM HEIGHT (LOWER EDGE)	BUBBLER NOZZLE HEIGHT
STANDING ADA	YES (STD)	NO	31-7/8 [809 mm]	39-3/8 [999 mm]**
WHEELCHAIR ADA	YES	YES (STD)	27 [687 mm]	34-5/8 [878 mm]
CHILD ADA	YES	YES	22-1/4 [566 mm]	29-7/8 [757 mm]

* RIGHT AND LEFT CAN BE REVERSED IF PEDESTAL IS ROTATED 180°.

**NOZZLE HEIGHT IS 41-1/2" WHEN FOUNTAIN IS INSTALLED ON TOP OF PEDESTAL.



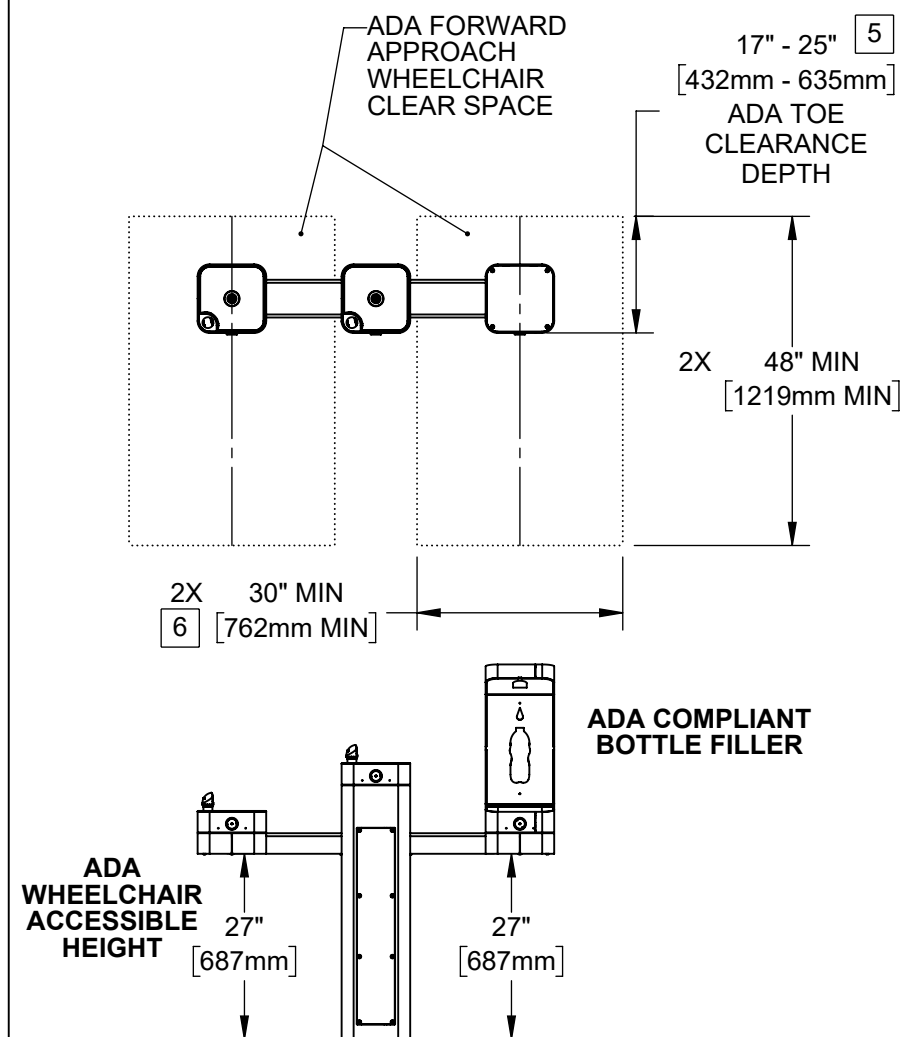
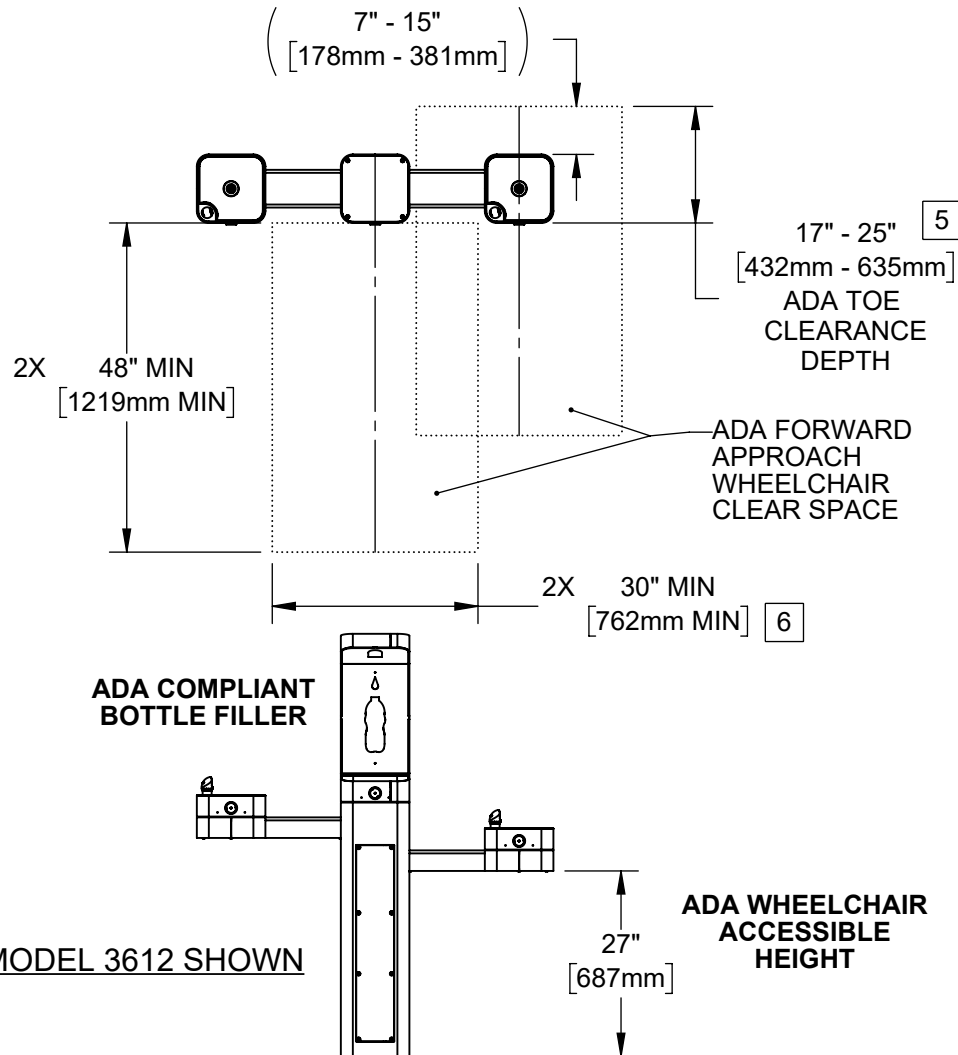
NOTE: PUSH BUTTONS SHOWN ARE FOR REF. ONLY, ACTUAL PUSH BUTTONS ARE DIFFERENT STYLE.

1455 KLEPPE LANE
SPARKS, NEVADA 89431
(775) 359-4712 FAX (775) 359-7424
E-MAIL: HAWS@HAWSO.COM
WEBSITE: WWW.HAWSO.COM

ECN: 5652	REV. ECN: 5822	BY: JU	MODEL(S): 3602FR	PART NUMBER: 0580001169.D
DRAWN: DHP	DATE: 6/11/20	CHKD: BJM		REVISION: 3
APPROVED: FV	DATE: 07/12/22	SCALE: 1:24	DRAWING TYPE: INSTALLATION	SIZE: A SHEET 7 OF 8

NOTES:

3. CLEAR FLOOR SPACES APPLY FOR ALL MODELS WITH A DRINKING FOUNTAIN OR BOTTLE FILLER INSTALLED AT ADA WHEELCHAIR ACCESSIBLE HEIGHT AND PEDESTAL MOUNTED BOTTLE FILLERS.
4. ORIENTATION OF CLEAR FLOOR SPACE IS DEPENDENT ON THE FOUNTAIN OR BOTTLE FILLER ORIENTATION.
- 5 SOME CALIFORNIA JURISDICTIONS MAY REQUIRE 18" MIN.
- 6 SOME CALIFORNIA JURISDICTIONS MAY REQUIRE 32" MIN.
7. REFER TO ADA STANDARDS AND/OR YOUR LOCAL BUILDING CODE FOR CLEAR SPACE GUIDELINES FOR PARALLEL APPROACH.



MODEL 3612 ALTERNATE CONFIGURATION SHOWN

THESE HAWS MODELS ARE FULLY COMPLIANT WITH THE FEDERAL 2010 AMERICANS WITH DISABILITIES ACT (ADA) ACCESSIBILITY REQUIREMENTS WHEN INSTALLED AS SHOWN HERE AND WHEN INSTALLED WITH PROPER CLEARANCES AND ACCESS. IT IS THE RESPONSIBILITY OF THE INSTALLER TO ADHERE TO LOCAL, STATE, AND FEDERAL CODES WHEN INSTALLING THIS UNIT. DISTANCE TO SURROUNDING OBJECTS, APPROACH SURFACES, ETC. SHOULD BE CONSIDERED.

Haws®

1455 KLEPPE LANE
SPARKS, NEVADA 89431
(775) 359-4712 FAX (775) 359-7424
E-MAIL: HAWS@HAWSO.COM
WEBSITE: WWW.HAWSO.COM

ECN: 5652	REV. ECN: 5822	BY: JU	MODEL(S): 3602FR	PART NUMBER: 0580001169.D
DRAWN: DHP	DATE: 6/11/20	CHKD: BJM		REVISION: 3
APPROVED: FV	DATE: 07/12/22	SCALE: 1:28	DRAWING TYPE: INSTALLATION	SHEET 8 OF 8