



# INSTALLATION, OPERATION & MAINTENANCE INSTRUCTIONS

1455 Kleppe Lane ♦ Sparks, NV 89431-6467 ♦ (775) 359-4712 ♦ Fax (775) 359-7424  
E-mail: [haws@hawsco.com](mailto:haws@hawsco.com) ♦ website: [www.hawsco.com](http://www.hawsco.com)

No. 0580001170 (2)

## MODEL 3610FR Outdoor Bottle Filler

**NOTE TO INSTALLER: Please leave this information with the Maintenance Department.**

### LIMITED WARRANTY

*HAWS* warrants that all of its products are guaranteed against defective material or poor workmanship for a period of **one year from the date of shipment**. The foregoing notwithstanding, *HAWS* warrants certain specific products or components thereof for an adjusted period. A list of these excepted products and components and a description of their respective warranty terms may be found here: [www.hawsco.com/warranty](http://www.hawsco.com/warranty). *HAWS'* liability under this warranty shall be discharged by furnishing without charge F.O.B. *HAWS* factory any goods, or part thereof, which shall appear to the Company upon inspection to be of defective material or not of first-class workmanship, provided that a claim is made in writing to Company within a reasonable period after receipt of the product. Where claims for defects are made, the defective part or parts shall be delivered to the Company, prepaid, for inspection. *HAWS* shall not be liable for the cost of repairs, alterations or replacements, or the labor required to implement them, or for any expense connected therewith made by the owner or owner's agents, except upon written authority from *HAWS*. *HAWS* shall not be liable for any damages caused by defective materials or poor workmanship, except for replacements, as provided above. Buyer agrees that *HAWS* has made no other warranties either express or implied in addition to those above stated, except that of title with respect to any of the products or equipment sold hereunder and that *HAWS* shall not be liable for general, special, incidental, or consequential damages claimed to arise under the contract of sale.

Equipment manufactured by *HAWS* is warranted to function if installation and maintenance instructions provided are adhered to. The units also must be used for the purpose for which they were intended. Any *HAWS* emergency equipment is intended to supplement first-aid treatment. Due to widely varying conditions, *HAWS* cannot guarantee that the use of this emergency equipment will prevent serious injury or the aggravation of existing or prior injuries.

**EXCEPT AS EXPRESSLY STATED HEREIN, HAWS HEREBY DISCLAIMS ALL WARRANTIES, WHETHER EXPRESS OR IMPLIED, ARISING BY LAW OR OTHERWISE, INCLUDING WITHOUT LIMITATION, ANY IMPLIED WARRANTIES OF MERCHANTABILITY AND FITNESS FOR A PARTICULAR PURPOSE. THIS WARRANTY MAY NOT BE MODIFIED OR EXTENDED WITHOUT THE WRITTEN CONSENT OF HAWS. REMEDIES AND REPLACEMENTS STATED HEREIN ARE EXCLUSIVE. IN NO EVENT SHALL HAWS BE LIABLE FOR ANY SPECIAL, PUNITIVE, CONSEQUENTIAL OR INCIDENTAL DAMAGES TO ANY PERSON INCLUDING BUT NOT LIMITED TO DAMAGES FOR LOSS OF USE OR PROFITS, SUBSTITUTE PRODUCTS OR COSTS, PROPERTY DAMAGE, OR OTHER MONETARY LOSS.**

**SHOULD YOU EXPERIENCE DIFFICULTY WITH THE INSTALLATION OF THIS MODEL PLEASE CALL:**

**TECHNICAL SUPPORT: 1-800-766-5612**  
**FOR CUSTOMER SERVICE: 1-888-640-4297**

**RECOMMENDED TOOLS:**

- Measuring Tape
- PVC Pipe Cutter
- Plastic Tubing Cutter
- PVC Solvent Weld Glue
- 1/4" Bit-Holding Screwdriver
- Level
- 10" Pipe Wrench
- Adjustable Plier
- 1/8 and 5/32 Tamper Resistant Hex Bits (Supplied)
- 9/16" and 5/8" Box/Open Combination Wrenches, 8" Max Length
- 3/8" Socket Wrench/Ratchet, 8" Max Length
- 9/16" Deep Socket
- 15/16" Socket

**LOCATION OF UNIT:** The Model 3610FR Bottle Filler can be installed and assembled to be ADA accessible, by first locating the pedestal base with at least 8 inches of clear, unobstructed hardscape behind the pedestal. Provide hardscape that is at least 74 inches wide. The bottle filler meets ADA accessibility requirements for either a front approach or side approach. When installing this unit, local, state and federal (including ADA) codes must be adhered to. If height other than shown is required, then dimensions must be adjusted accordingly.

**SUPPLY LINE:** The minimum recommended line size is 1/2" IPS with 30-90 psi (2-6 ATM) flowing pressure. Where sediment or mineral content is a problem, an inlet filter is recommended.

**PLUMBING CONNECTIONS:** Water supply inlet connection is a 3/8" O.D. compression fitting. Waste outlet is 1-1/2" PVC pipe. Plumbing connections vary depending on how the unit is configured during assembly. Please consult the installation drawings below for supply and waste fitting arrangements and assembly for your specific model.

**MAINTENANCE:** Refer to 6518FR Operation and Maintenance Sheet for more information.

## INSTALLATION PROCEDURE

Follow the installation procedures outlined in the installation diagram for your specific model below. Note: 3610FR version must be connected to Haws Model 6518FR freeze resistant bury valve, sold separately. See 6518FR installation manual for instructions.

**GENERAL NOTES:**

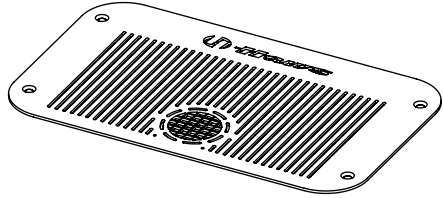
1. **For all compression fitting connections, only connect NSF-61 copper or plastic 3/8" outside diameter tubing. The following assembly instructions must be followed to ensure a watertight connection:**
  - a. **Cut tubing square and clean. Deburr if necessary.**
  - b. **Place compression nut and ferrule over end of tubing.**
  - c. **For plastic tubing (must be 1/4" inside diameter), insert supplied tubing insert into end of tubing.**
  - d. **Push tube into the fitting until it bottoms out.**
  - e. **Thread nut onto fitting and tighten snugly with 5/8" wrenches.**

<b>Tube Sizes</b>	<b>O.D. Tolerance</b>	<b>Insertion Depth</b>
3/8"	±.005"	3/4"

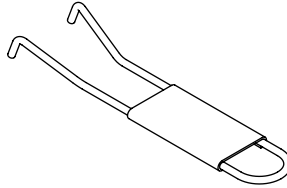
<b>TROUBLESHOOTING</b>	
<b>PROBLEM</b>	<b>REPAIR CHECKLIST</b>
1. Insufficient bottle filler flow	1a. Check that inlet screwdriver stop valve is wide open (Not Supplied).  b. Verify minimum 30 psi flowing supply pressure.  c. Nozzle strainer is clogged. Use nozzle removal tool to remove strainer and replace. Replacement strainers may be ordered by calling Customer Service.  d. Adjust valve to increase flow. See 6518FR Manual.*

\*For more information about Haws products, see our website: [www.hawSCO.com](http://www.hawSCO.com)

## REPLACEMENT PARTS



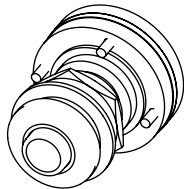
**0410000564**  
BOTTLE FILLER DRAIN  
COVER PLATE



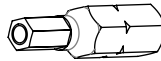
**0006983506**  
SPANNER WRENCH  
(NON FR MODELS)



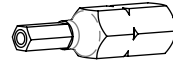
**0110000641**  
AERATOR, FR



**MODEL 5881PBA**  
BUTTON ASSEMBLY  
(FR MODELS)

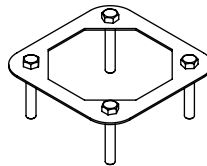


**0510001030**  
HEX BIT,  
PINNED, 5/32"



**0510001029**  
HEX BIT,  
PINNED, 1/8"

## OPTIONAL ACCESSORIES



**MODEL MTG.3600**  
INSTALLATION AID

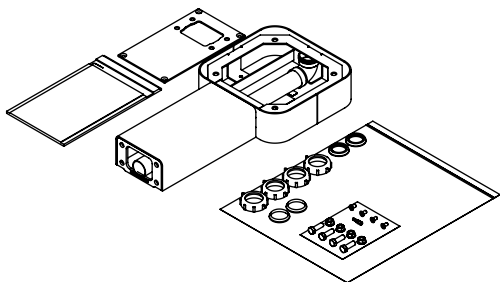
## 3610FR MODULAR OUTDOOR FOUNTAIN SYSTEM

# PARTS BREAKDOWN

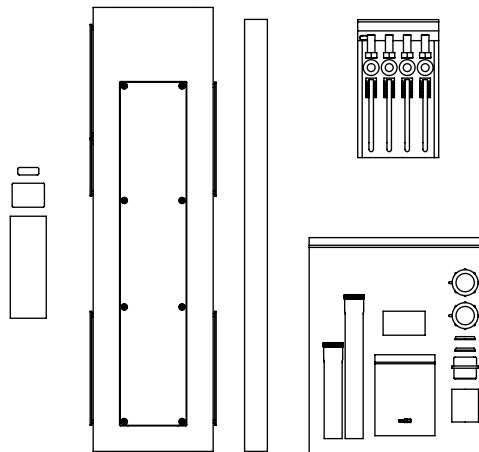
ECN: 5652		REV. ECN: 5719	BY: DP	MODEL(S)	PART NUMBER
DRAWN: DHP		DATE: 6/11/20	CHKD: BJM	3610FR	0580001170
APPROVED: FV		DATE: 09/16/21	SCALE: 1:2	DRAWING TYPE: PARTS BREAKDOWN	REVISION 2
				SIZE: A	SHEET 1 OF 2

WHEN ORDERING PARTS, PLEASE  
SPECIFY PART NUMBER

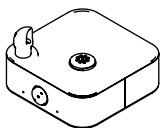
### AVAILABLE SUB-COMPONENT MODELS



MODEL 3671 PEDESTAL ARM ASSEMBLY

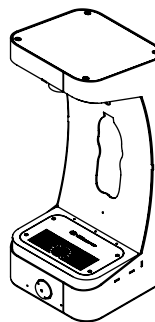


MODEL 3674 PEDESTAL ASSEMBLY



MODEL 3680FR\* FOUNTAIN ASSEMBLY

(PUSH BUTTON SHOWN IS FOR REF. ONLY, ACTUAL PUSH BUTTON IS DIFFERENT STYLE)



MODEL 3690FR\* BOTTLE FILLER ASSEMBLY


(PUSH BUTTON SHOWN IS FOR REF. ONLY, ACTUAL PUSH BUTTON IS DIFFERENT STYLE)

**3610FR  
MODULAR OUTDOOR  
FOUNTAIN SYSTEM**

## PARTS BREAKDOWN

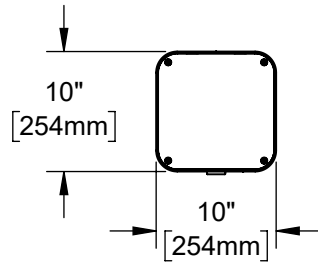
\*FR (FREEZE RESISTANT) MODELS REQUIRE THE USE OF SEPARATE FREEZE RESISTANT VALVES (NOT SUPPLIED). SEE INSTALLATION DRAWINGS ON THE FOLLOWING PAGES FOR DETAILS.

WHEN ORDERING PARTS, PLEASE SPECIFY PART NUMBER

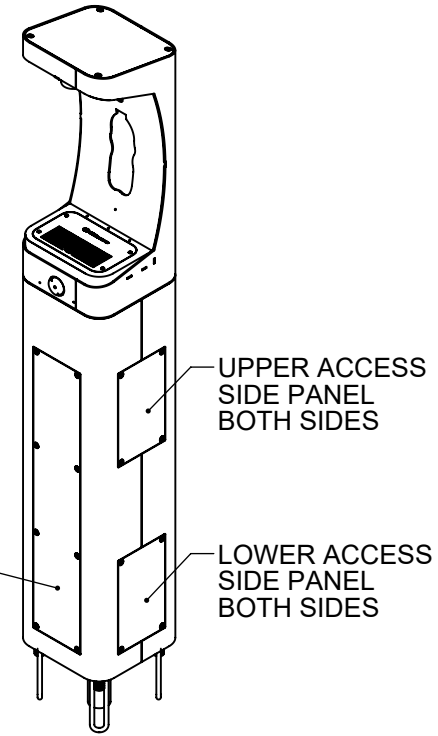
		1455 KLEPPE LANE SPARKS, NEVADA 89431 (775) 359-4712 FAX (775) 359-7424 E-MAIL: HAWS@HAWS.CO.COM WEBSITE: WWW.HAWS.CO.COM		
ECN: 5652	REV. ECN: 5719	BY: DP	MODEL(S)  3610FR	PART NUMBER 0580001170
DRAWN: DHP	DATE: 6/11/20	CHKD: BJM		REVISION 2
APPROVED: FV	DATE: 09/16/21	SCALE: 1:16	DRAWING TYPE: PARTS BREAKDOWN	SIZE: A SHEET 2 OF 2

**NOTES:**

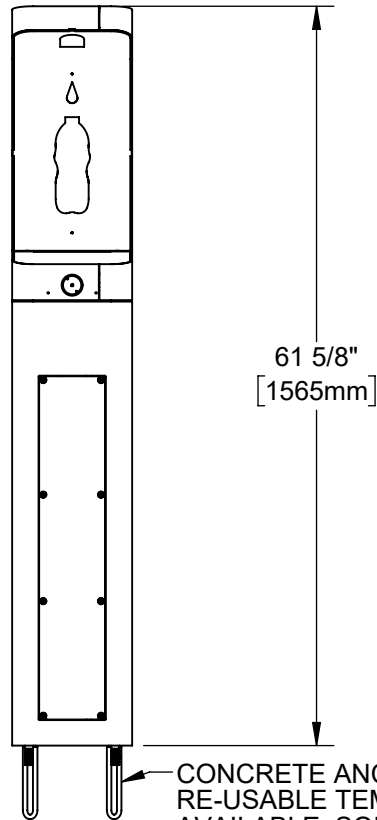
1. WHEN INSTALLING THIS UNIT, LOCAL, STATE, OR FEDERAL CODES SHOULD BE ADHERED TO. INSTALL A TRAP IN THE WASTE LINE AND A SCREWDRIVER STOP IN THE SUPPLY LINE IF REQUIRED.



NOTE: PUSH BUTTON SHOWN IS FOR REF. ONLY. ACTUAL PUSH BUTTON IS DIFFERENT STYLE



**ADA COMPLIANT BOTTLE FILLER**



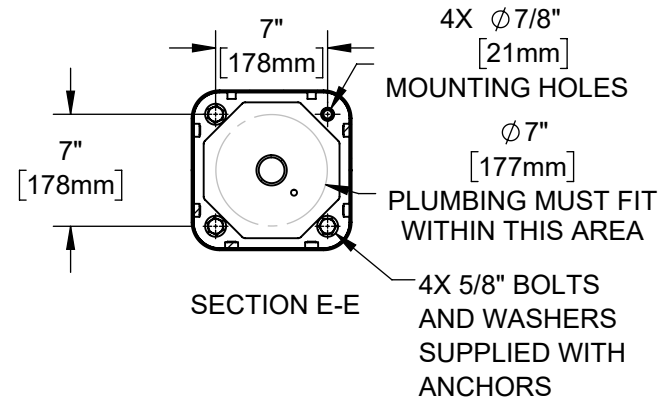
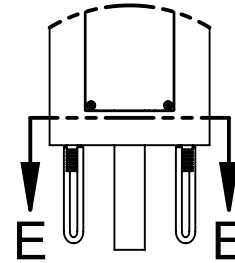
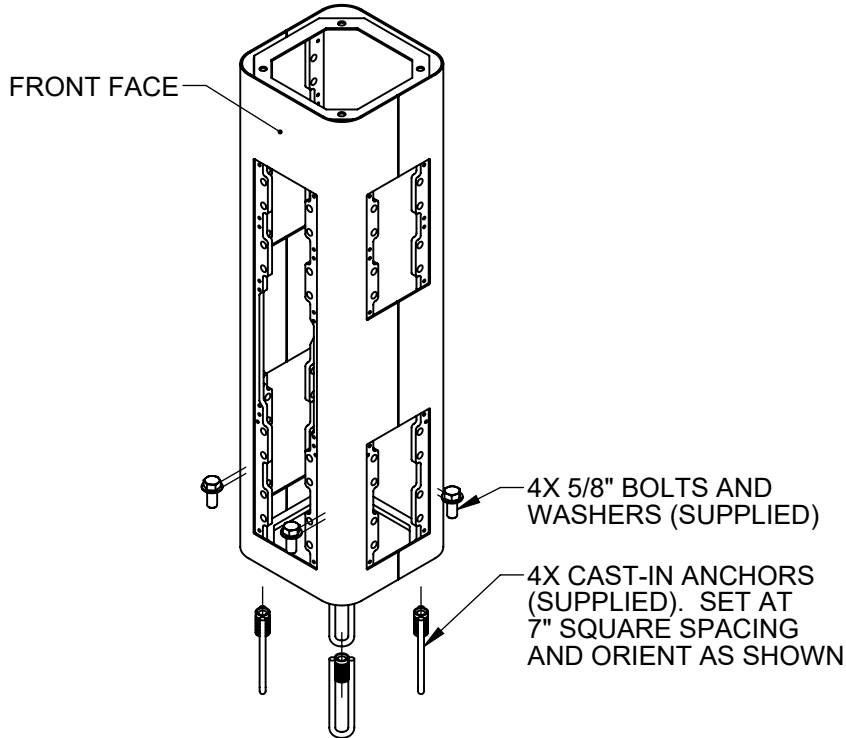
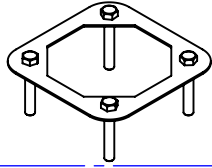
CONCRETE ANCHORS INCLUDED. RE-USABLE TEMPLATE MODEL MTG.3600 AVAILABLE, SOLD SEPARATELY.

**HAWS MODEL 3610FR IS FULLY COMPLIANT WITH THE FEDERAL 2010 AMERICANS WITH DISABILITIES ACT (ADA) ACCESSIBILITY REQUIREMENTS WHEN INSTALLED AS SHOWN HERE AND WHEN INSTALLED WITH PROPER CLEARANCES AND ACCESS. LOCATE THE PEDESTAL BASE WITH AT LEAST 8" OF CLEAR UNOBSTRUCTED HARDSCAPE BEHIND THE PEDESTAL. IT IS THE RESPONSIBILITY OF THE INSTALLER TO ADHERE TO LOCAL, STATE, AND FEDERAL CODES WHEN INSTALLING THIS UNIT. DISTANCE TO SURROUNDING OBJECTS, APPROACH SURFACES, ETC. SHOULD BE CONSIDERED.**

		1455 KLEPPE LANE SPARKS, NEVADA 89431 (775) 359-4712 FAX (775) 359-7424 E-MAIL: HAWS@HAWS.CO.COM WEBSITE: WWW.HAWS.CO.COM	
		ECN: 5652 DRAWN: DHP APPROVED: FV	REV. ECN: 5719 DATE: 6/11/20 DATE: 09/16/21
PART NUMBER 0580001170.D			REVISION 2
SCALE: 1:24   DRAWING TYPE: INSTALLATION		SIZE: A   SHEET 1 OF 7	


# INSTALLATION INSTRUCTIONS

**MODEL MTG.3600**  
(OPTIONAL)  
TEMPLATE FOR  
SPACING ANCHORS  
DURING CONCRETE  
POUR



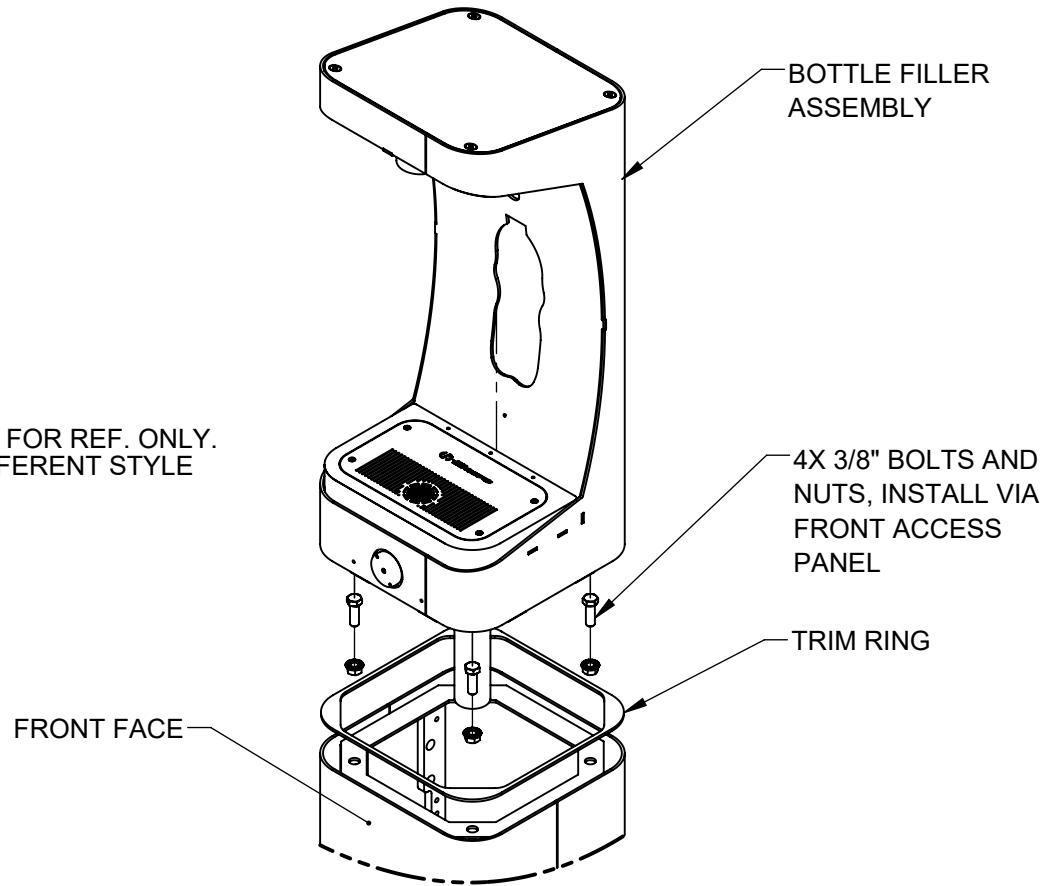
## STEP 1

MOUNT PEDESTAL TO CONCRETE SLAB IN DESIRED ORIENTATION. SLAB TO BE 30" MINIMUM SQUARE AND 6" MINIMUM THICK (BY OTHERS). PLUMBING CAST IN CONCRETE MUST FIT IN 7" DIAMETER AREA CENTERED UNDER PEDESTAL LOCATION. FOR 3610FR MODEL, SEE REQUIRED BURY VALVE (NOT SUPPLIED) INSTALLATION REQUIREMENTS ON SHEET 6.

			1455 KLEPPE LANE SPARKS, NEVADA 89431 (775) 359-4712 FAX (775) 359-7424 E-MAIL: HAWS@HAWS.CO.COM WEBSITE: WWW.HAWS.CO.COM	
			ECN: 5652 DRAWN: DHP APPROVED: FV	REV. ECN: 5719 DATE: 6/11/20 DATE: 09/16/21
SCALE: 1:24   DRAWING TYPE: INSTALLATION   SIZE: A			SHEET 2 OF 7	


# INSTALLATION INSTRUCTIONS

NOTE: PUSH BUTTON SHOWN IS FOR REF. ONLY. ACTUAL PUSH BUTTON IS DIFFERENT STYLE



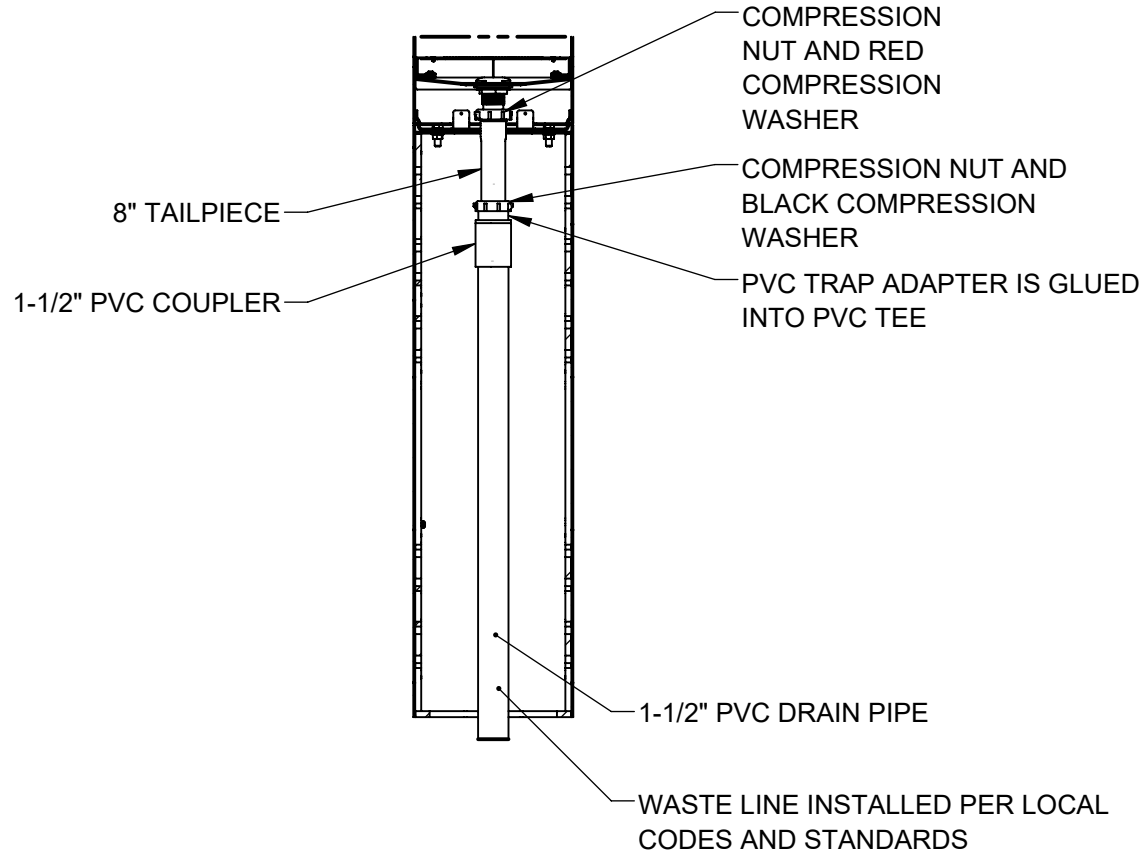
## STEP 2

PLACE SQUARE TRIM RING ON BOTTOM OF BOTTLE FILLER AND PLACE BOTTLE FILLER ON TOP OF PEDESTAL, FACING THE FRONT. USE 3/8" BOLTS AND NUTS VIA THE FRONT ACCESS PANEL TO SECURE BOTTLE FILLER TO PEDESTAL. CAREFULLY CENTER TRIM RING AND BOTTLE FILLER AND TORQUE BOLTS/NUTS TO 18 FT-LBS.

		1455 KLEPPE LANE SPARKS, NEVADA 89431 (775) 359-4712 FAX (775) 359-7424 E-MAIL: HAWS@HAWSO.COM WEBSITE: WWW.HAWSO.COM	
		ECN: 5652 DRAWN: DHP APPROVED: FV	REV. ECN: 5719 DATE: 6/11/20 DATE: 09/16/21
PART NUMBER 0580001170.D			REVISION 2
SCALE: 1:24		DRAWING TYPE: INSTALLATION	SIZE: A SHEET 3 OF 7




# INSTALLATION INSTRUCTIONS

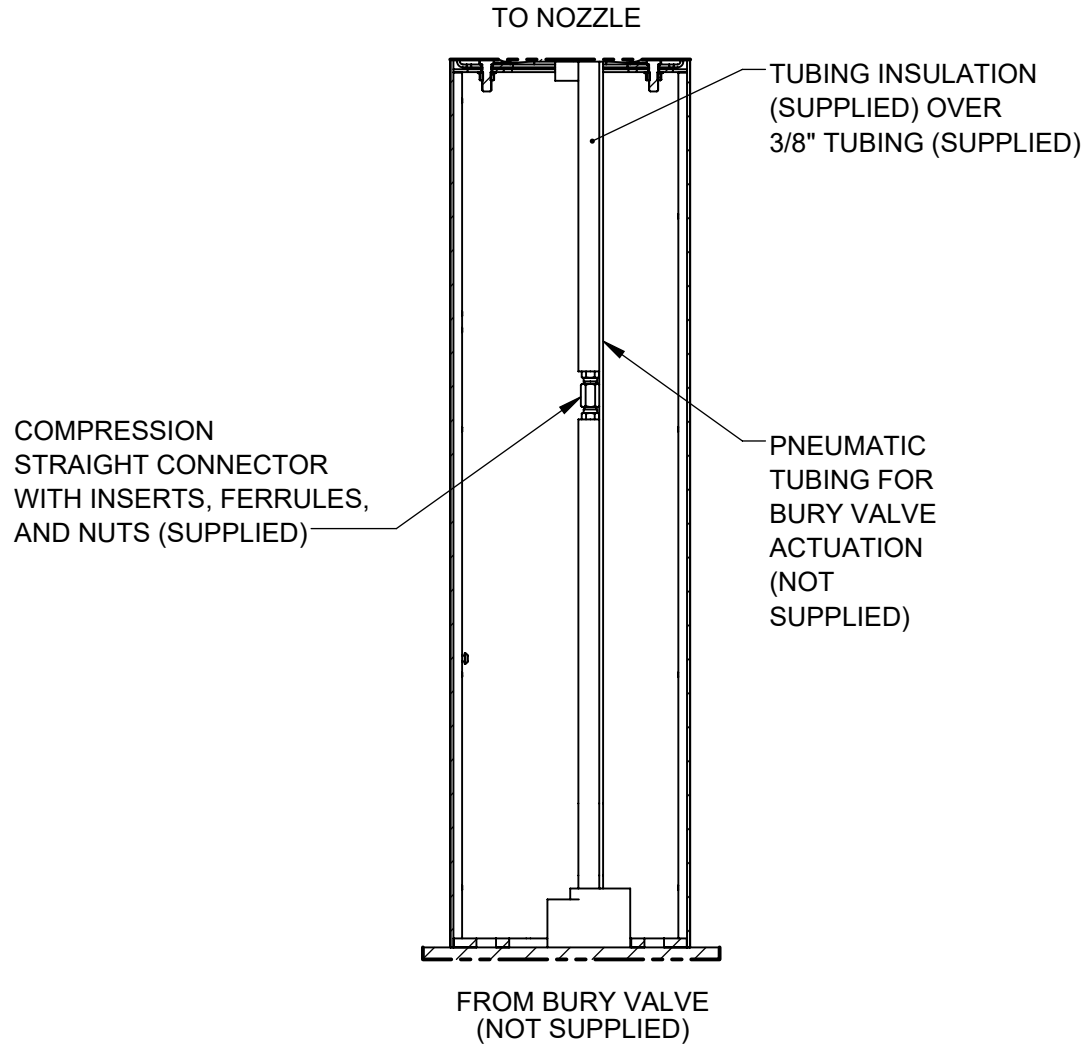


### STEP 3

INSTALL SUPPLIED DRAIN COMPONENTS AS SHOWN. RED COMPRESSION WASHER ADAPTS FROM 1-1/4" TO 1-1/2" AT DRAIN TAIL PIECE. BLACK COMPRESSION WASHER IS USED IN TRAP ADAPTER AT COUPLER. USE APPROPRIATE PVC CEMENT TO MAKE SOLVENT CEMENT CONNECTIONS. TRIM TAIL PIECE LENGTH IF REQUIRED. NOTE THAT EXTRA PARTS MAY BE INCLUDED TO FACILITATE OTHER CONFIGURATIONS OF THIS FOUNTAIN.

			1455 KLEPPE LANE SPARKS, NEVADA 89431 (775) 359-4712 FAX (775) 359-7424 E-MAIL: HAWS@HAWS.CO.COM WEBSITE: WWW.HAWS.CO.COM		
			ECN: 5652 DRAWN: DHP APPROVED: FV	REV. ECN: 5719 DATE: 6/11/20 DATE: 09/16/21	BY: FV CHKD: BJM
SCALE: 1:24   DRAWING TYPE: INSTALLATION   SIZE: A			SHEET 4 OF 7		

# INSTALLATION INSTRUCTIONS




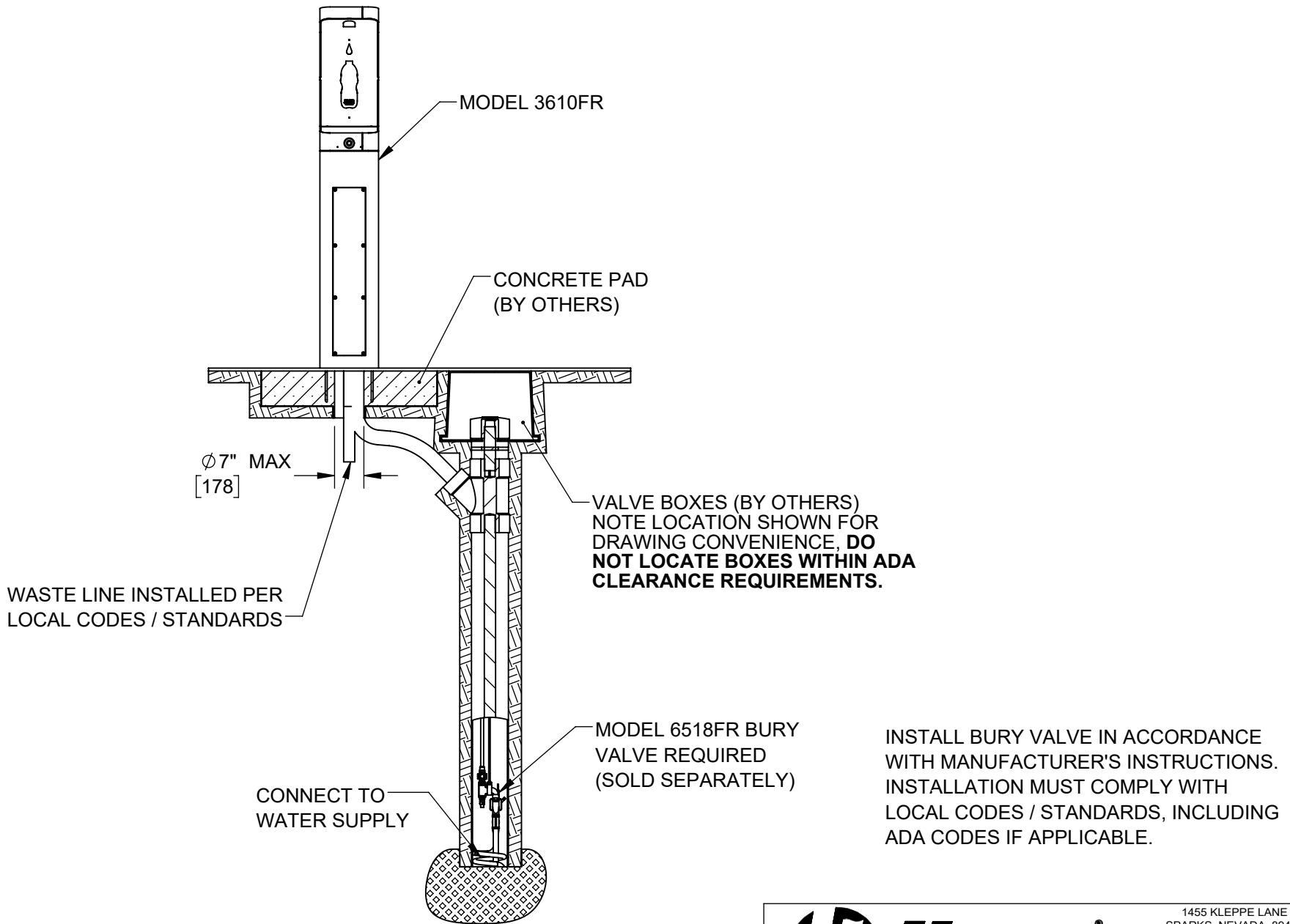
## 3610FR SUPPLY PLUMBING\*

\* SEE NEXT SHEET OF THIS DRAWING FOR MORE INFORMATION ON INSTALLING BURY VALVES WITH THIS MODEL.

### STEP 4

COMPLETE WATER SUPPLY PLUMBING AS SHOWN. OPEN SUPPLY VALVE AND TEST. REPLACE PEDESTAL ACCESS PLATES BURY VALVE (NOT SUPPLIED) IS REQUIRED FOR 3610FR INSTALLATION. REFER TO BURY VALVE OPERATION AND MAINTENANCE MANUAL FOR ADDITIONAL INFORMATION.


			1455 KLEPPE LANE SPARKS, NEVADA 89431 (775) 359-4712 FAX (775) 359-7424 E-MAIL: HAWS@HAWSO.COM WEBSITE: WWW.HAWSO.COM	
			ECN: 5652 DRAWN: DHP APPROVED: FV	REV. ECN: 5719 DATE: 6/11/20 DATE: 09/16/21
SCALE: 1:24   DRAWING TYPE: INSTALLATION   SIZE: A			SHEET 5 OF 7	



VALVE BOXES (BY OTHERS)  
NOTE LOCATION SHOWN FOR  
DRAWING CONVENIENCE, **DO  
NOT LOCATE BOXES WITHIN ADA  
CLEARANCE REQUIREMENTS.**

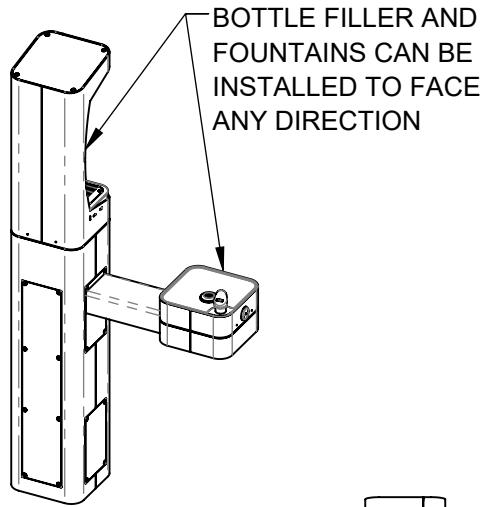
INSTALL BURY VALVE IN ACCORDANCE  
WITH MANUFACTURER'S INSTRUCTIONS.  
INSTALLATION MUST COMPLY WITH  
LOCAL CODES / STANDARDS, INCLUDING  
ADA CODES IF APPLICABLE.

**3610FR GENERAL BURY  
VALVE LAYOUT  
(FOR REFERENCE ONLY)**

		1455 KLEPPE LANE SPARKS, NEVADA 89431 (775) 359-4712 FAX (775) 359-7424 E-MAIL: HAWS@HAWS.CO.COM WEBSITE: WWW.HAWS.CO.COM	
		ECN: 5652 DRAWN: DHP APPROVED: FV	REV. ECN: 5719 DATE: 6/11/20 DATE: 09/16/21
PART NUMBER 0580001170.D REVISION 2			SHEET 6 OF 7

### NOTES ON OPTIONAL CONFIGURATIONS

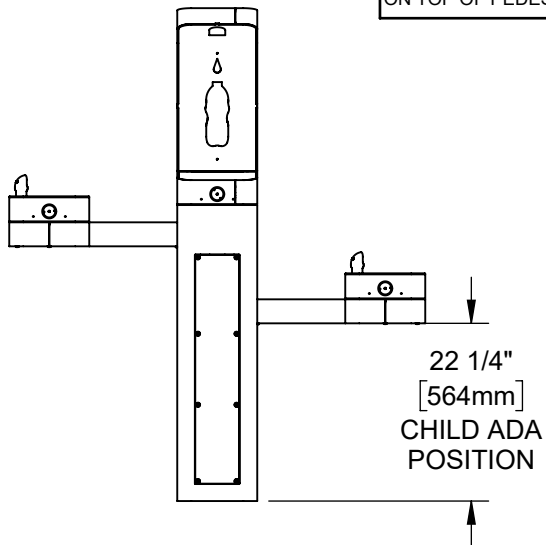
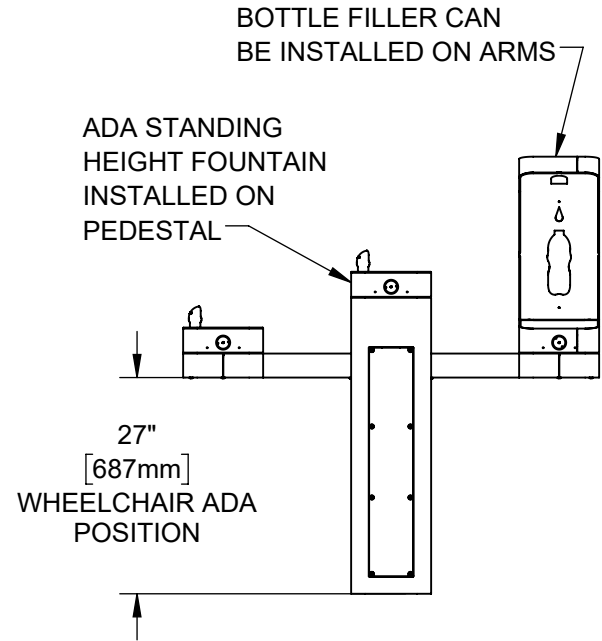
HAWS 3600FR SERIES OUTDOOR FOUNTAINS ARE MODULAR AND CAN BE ASSEMBLED AND CONFIGURED MANY DIFFERENT WAYS. DISPLAYED HERE ARE A FEW EXAMPLES. CONFIGURATIONS OTHER THAN THAT SHOWN IN THE INSTALLATION INSTRUCTIONS FOR THE 3610FR MAY AFFECT COMPLIANCE WITH ADA REGULATIONS. IT IS THE RESPONSIBILITY OF THE INSTALLER TO UNDERSTAND LOCAL, STATE, AND FEDERAL REGULATIONS AS APPLICABLE IF INSTALLING THIS FOUNTAIN IN CONFIGURATIONS OTHER THAN THAT INDICATED ON SHEET 1 (PAGE 6 OF 12).



ADA ARM HEIGHT POSITION OPTIONS				
	LEFT SIDE*	RIGHT SIDE*	ARM HEIGHT (LOWER EDGE)	BUBBLER NOZZLE HEIGHT
STANDING ADA	YES (STD)	NO	31-7/8 [809 mm]	39-3/8 [999 mm]**
WHEELCHAIR ADA	YES	YES (STD)	27 [687 mm]	34-5/8 [878 mm]
CHILD ADA	YES	YES	22-1/4 [566 mm]	29-7/8 [757 mm]

\* RIGHT AND LEFT CAN BE REVERSED IF PEDESTAL IS ROTATED 180°.

\*\*NOZZLE HEIGHT IS 41-1/2" WHEN FOUNTAIN IS INSTALLED ON TOP OF PEDESTAL.



NOTE: PUSH BUTTONS SHOWN ARE FOR REF. ONLY, ACTUAL PUSH BUTTONS ARE DIFFERENT STYLE.

			1455 KLEPPE LANE SPARKS, NEVADA 89431 (775) 359-4712 FAX (775) 359-7424 E-MAIL: HAWS@HAWSO.COM WEBSITE: WWW.HAWSO.COM		
			ECN: 5652 DRAWN: DHP APPROVED: FV	REV. ECN: 5719 DATE: 6/11/20 DATE: 09/16/21	BY: FV CHKD: BJM
SCALE: 1:24   DRAWING TYPE: INSTALLATION   SIZE: A			SHEET 7 OF 7		