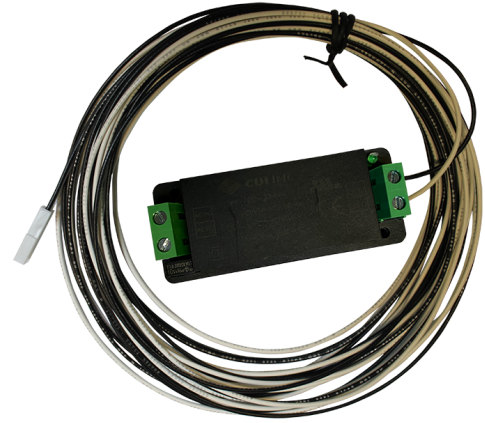

FEATURES & BENEFITS

OPTIONS

For more information, visit www.hawsc.com or call (888) 640-4297.



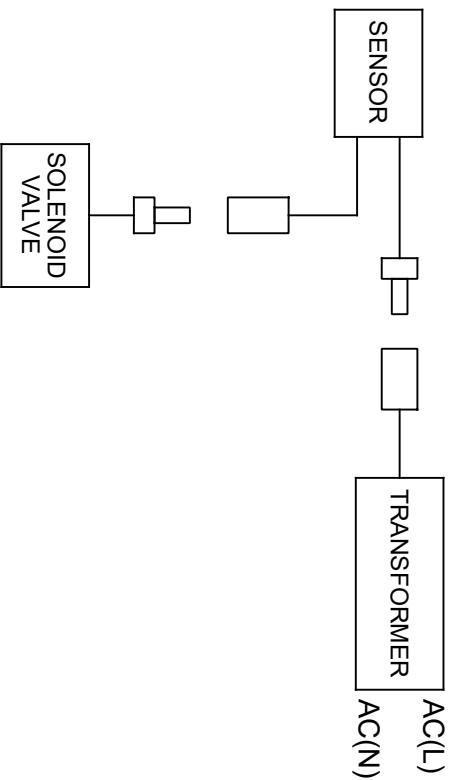
SPECIFICATIONS

Model VRKH08 is the hard-wired transformer for the Haws HO (hands-off) fountains, and the 1RKHO, 2RKHO and 3RKHO sensor kits produced after May , 2021. UL Certified

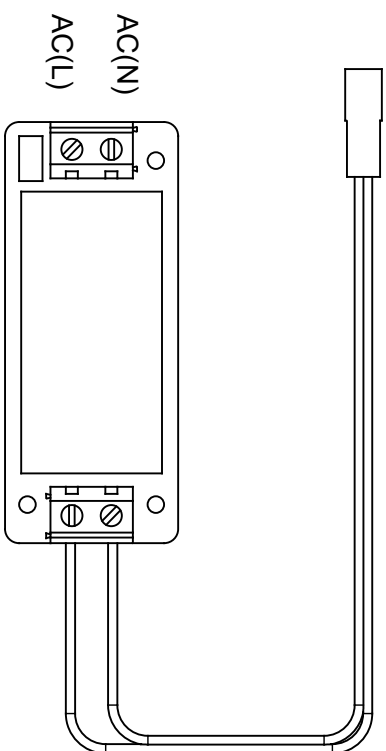
APPLICATIONS

NOTES:

1. VRKH08 REQUIRES 100-277V POWER CONNECTION.
2. TRANSFORMER MUST BE MOUNTED SUCH THAT THEY ARE PROTECTED FROM WATER.



VRKH08 WIRING SCHEMATIC



HARDWARE TRANSFORMER

		Haws		1456 KLEPPE LANE SPARKS, NEVADA, 89431 (775) 359-4712 FAX (775) 359-7424 E-MAIL: HAWS@HAWSCO.COM WEBSITE: WWW.HAWSCO.COM	
ECN NO. REVISED PER BY:	MODEL(S)	VRKH08			
5849 5749 FV		HARDWARE TRANSFORMER FOR RKHO			
DRAWN: BIM	DATE: 02/12/21	CHK'D: BIM	SCALE: N/A DRAWING TYPE: INSTALLATION		
APPROVED: FV	DATE: 10/20/21	PART NUMBER: 0580001164.D			
		REVISION: 3		SHEET 4 OF 4	