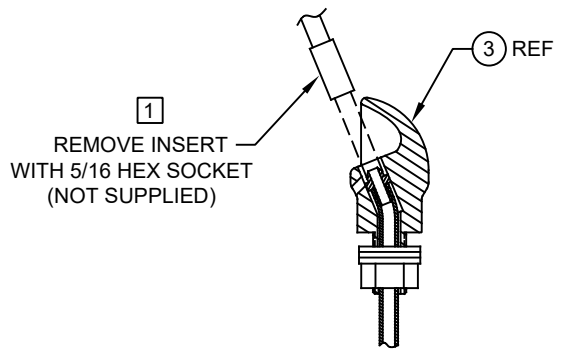
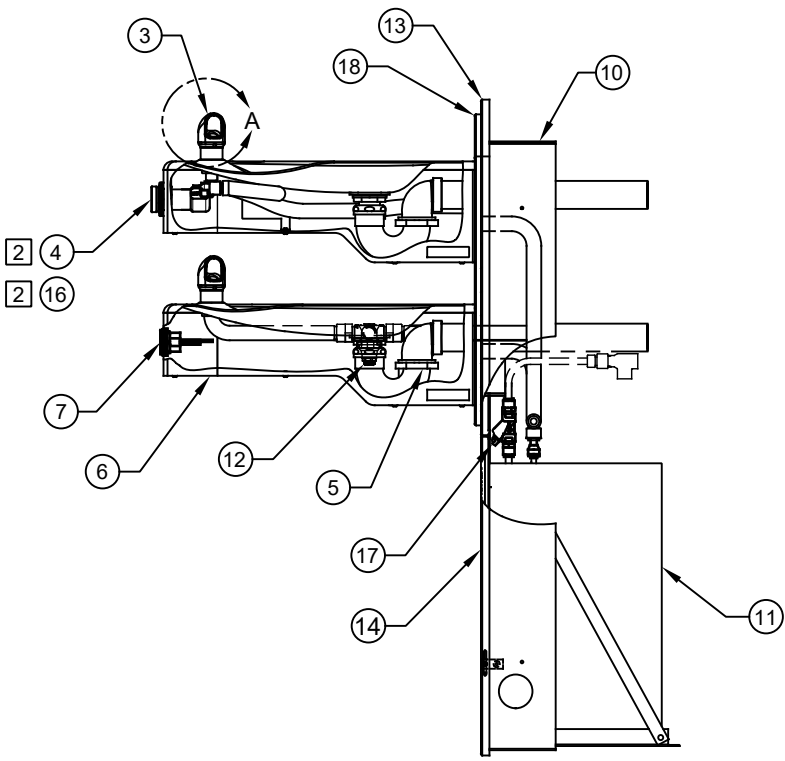
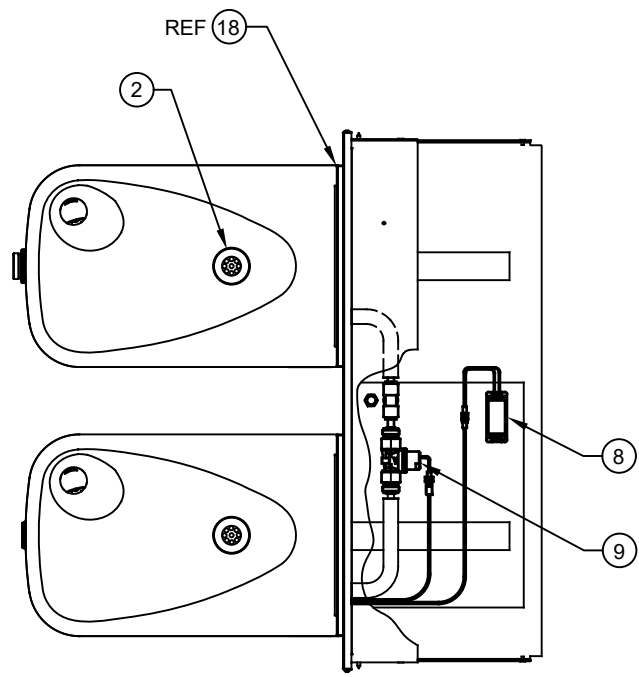
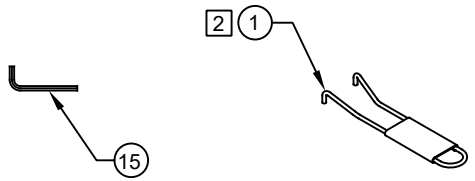


ITEM	DESCRIPTION	PART NO.	
2	1	SPANNER WRENCH	0006983506
	2	STRAINER ASSY	6462
	3	BUBBLER HEAD	5703M
2	4	BUTTON, PUSH, FLANGED, ASSY	PBA6
	5	TRAP LOW PROFILE	0005982900
	6	BOTTOM PLATE	0004449315
	7	SENSOR	VRKHO6
	8	TRANSFORMER	VRKHO8
9	9	SOLENOID VALVE	VRKHO5
	**	10	MOUNTING FRAME
11	11	CHILLER	HCR8
	12	PRESSURE REGULATOR	5867
13	13	BACK PANEL	0004023590
	14	GRILLE	0002626600
15	15	KEY HEX F/PINNED HEX	0002981127
	2	16	VALVE REPAIR KIT
17	17	Y-STRAINER	6433
	18	BACK PANEL SMALL	0004023587

** REQUIRED - SOLD SEPARATELY



DETAIL A
ROTATED 90° INTO VIEW



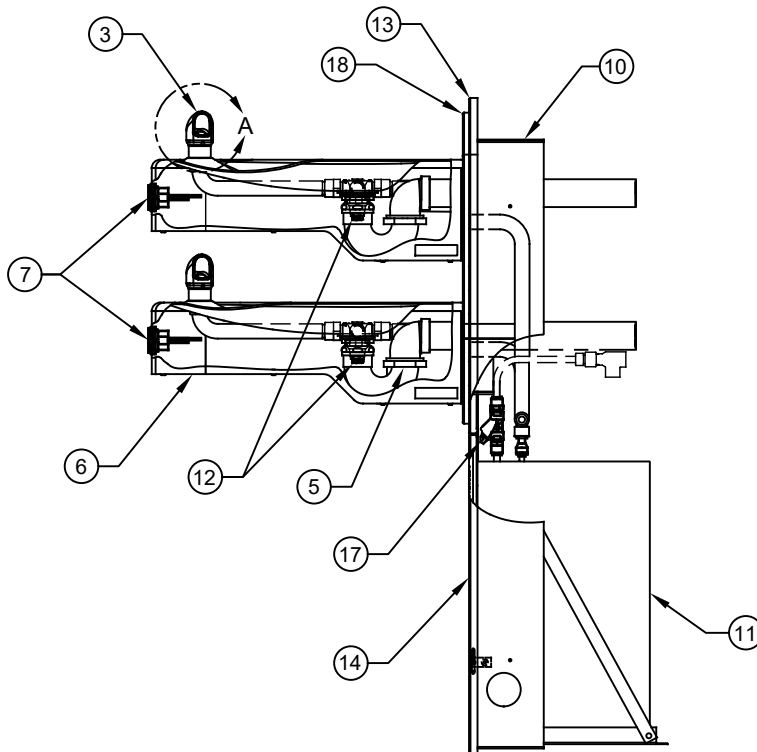
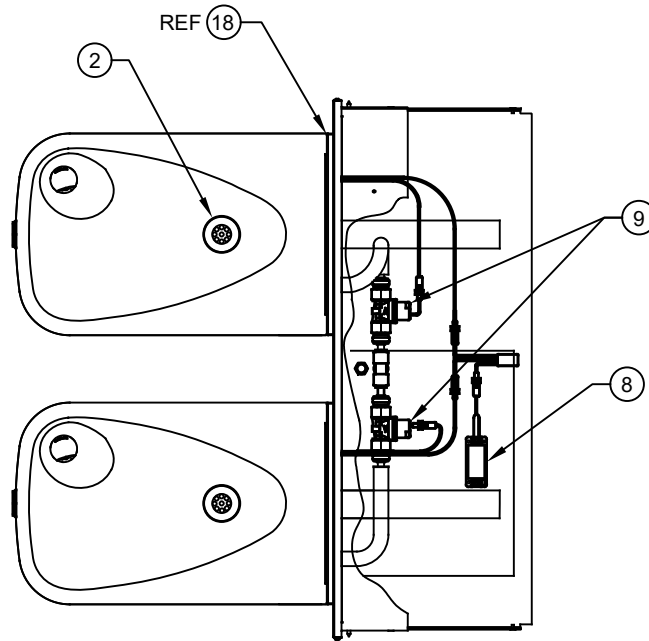
NOTES

- [1] ENSURE TUBE IS DISCONNECTED FROM PUSH BUTTON VALVE BODY PRIOR TO REMOVAL. APPLY ONE DROP OF LOCTITE 222MS TO NOZZLE THREADS PRIOR TO FASTENING BACK ONTO BUBBLER HEAD. RE-ATTACH TUBE TO VALVE.
- [2] ITEMS 1, 4 AND 16 ARE ONLY USED ON MODEL H1117.8HO.

H1117.8HO SHOWN
H1117.8HO2 ON SHEET 2
PARTS BREAKDOWN

WHEN ORDERING PARTS PLEASE SPECIFY MODEL NUMBER.


		Haws [®]		1455 KLEPPE LANE SPARKS, NEVADA 89431 (775) 359-4712 FAX (775) 359-7424 E-MAIL: HAWS@HAWS.CO.COM WEBSITE: WWW.HAWS.CO.COM	
				ECN NO. 5706 REVISED PER ECN: 5706 DATE 06/28/21 BY FV CHKD DP	MODEL(S) H1117.8HO/H1117.8HO2
APPROVED FV DATE 06/28/21	SCALE: NA DRAWING TYPE: PARTS BREAKDOWN	SIZE: A SHEET 1 OF 2			



H1117.8HO2 SHOWN
H1117.8HO ON SHEET 1

PARTS BREAKDOWN

WHEN ORDERING PARTS PLEASE SPECIFY MODEL NUMBER.

		Haws [®]		1455 KLEPPE LANE SPARKS, NEVADA 89431 (775) 359-4712 FAX (775) 359-7424 E-MAIL: HAWS@HAWSCO.COM WEBSITE: WWW.HAWSCO.COM	
				ECN NO. 5706 ECN: 5706 DRAWN FV DATE 06/28/21 CHKD DP	REVISED PER FV DATE 06/28/21 CHKD DP
APPROVED FV		DATE 06/28/21		SCALE: NA	DRAWING TYPE: PARTS BREAKDOWN
				SIZE: A	SHEET 2 OF 2