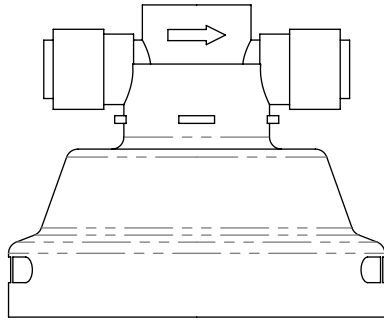
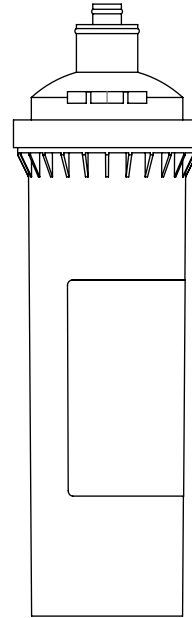


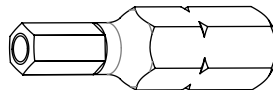
REPLACEMENT PARTS



**0110000786
FILTER HEAD**



**6428
FILTER
(FILTER REORDER
MODEL)**



**0510001030
HEX BIT,
PINNED, 5/32"
(NOT SUPPLIED)**

6477 FILTER MOUNTING KIT

PARTS BREAKDOWN

			1455 KLEPPE LANE SPARKS, NEVADA 89431 (775) 359-4712 FAX (775) 359-7424 E-MAIL: HAWS@HAWS.CO.COM WEBSITE: WWW.HAWS.CO.COM		
ECN: 5719	REV. ECN: 6125	BY: FV	MODEL(S)	PART NUMBER	0510002018
DRAWN: JL	DATE: 01/09/17	CHKD: JC	6477	REVISION	5
APPROVED: FV	DATE: 10/22/24	SCALE: 1:2	DRAWING TYPE: PARTS BREAKDOWN	SIZE: A	SHEET 1 OF 1

WHEN ORDERING PARTS, PLEASE SPECIFY PART NUMBER