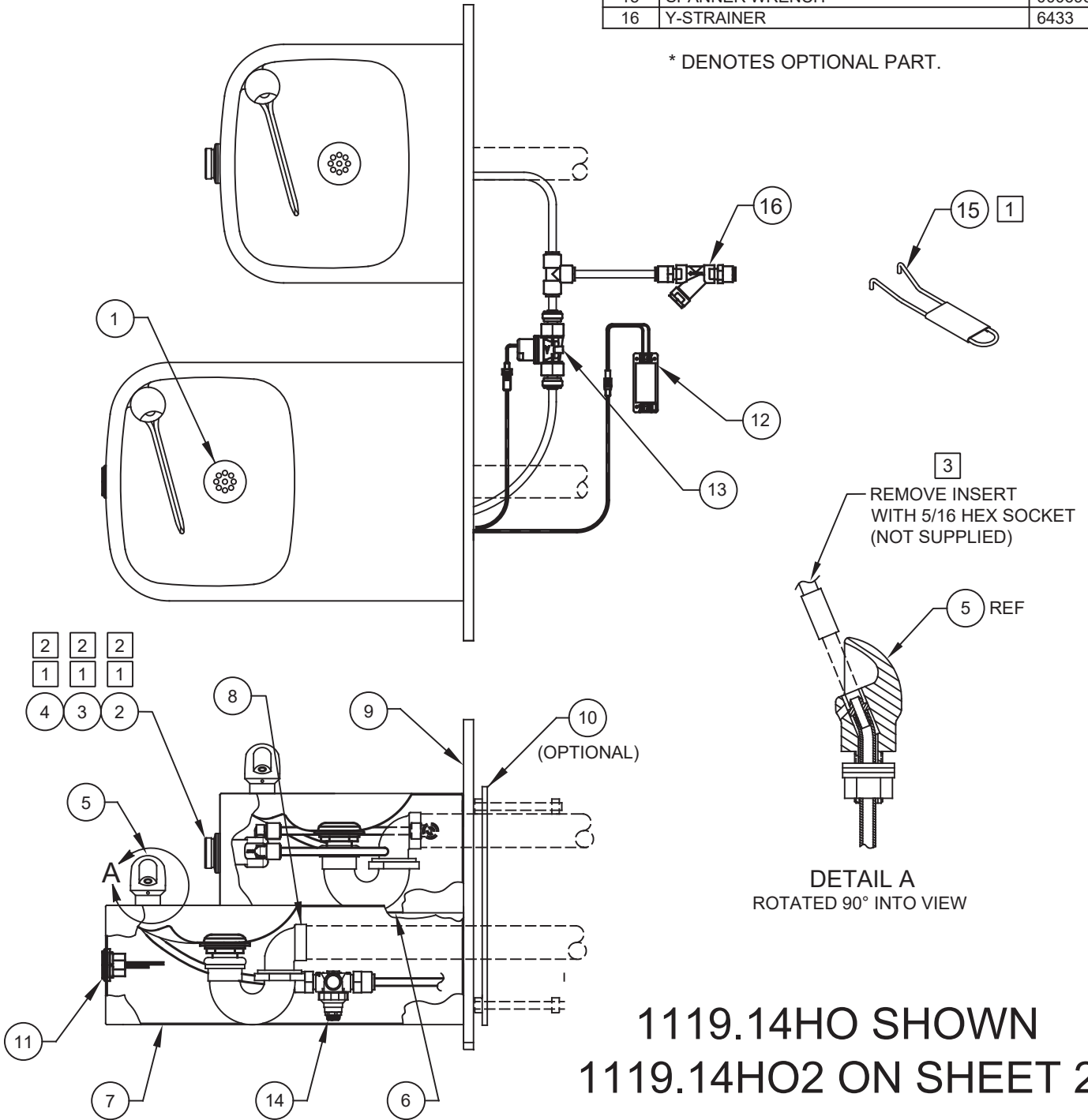


ITEM	DESCRIPTION	1119HO
1	STRAINER, WASTE ASSY	6462
2	BUTTON, PUSH, FLANGED, PCP W/ VALVE	5874PBF
2	VALVE REPAIR KIT	VRK5874
2	PUSH BUTTON ASSY	PBA6
5	BUBBLER HEAD ASSY, PCP	5703M
6	PLATE, BOTTOM	PBM1105
7	PLATE, BOTTOM	PBM1109
8	TRAP	0005982900
9	BACK PANEL	0004023580
*	10 PLATE, MOUNTING	6700.4
11	SENSOR	VRKH06
12	TRANSFORMER	VRKH08
13	SOLENOID	VRKH05
14	PRESSURE REGULATOR	5867
15	SPANNER WRENCH	0006983506
16	Y-STRAINER	6433

NOTES:


- 1 5874PBF (ITEM 2) INCLUDES VRK5874 CARTRIDGE ASSEMBLY (ITEM 3), PBA6 FLANGED PUSH BUTTON (ITEM 4) AND SPANNER WRENCH (ITEM 15).
- 2 ITEMS 2, 3 AND 4 ARE ONLY USED ON MODEL 1119.14HO.
- 3 ENSURE TUBE IS DISCONNECTED FROM PUSH BUTTON VALVE BODY PRIOR TO REMOVAL. APPLY ONE DROP OF LOCTITE 222MS TO NOZZLE THREADS PRIOR TO FASTENING BACK ONTO BUBBLER HEAD. RE-ATTACH TUBE TO VALVE.

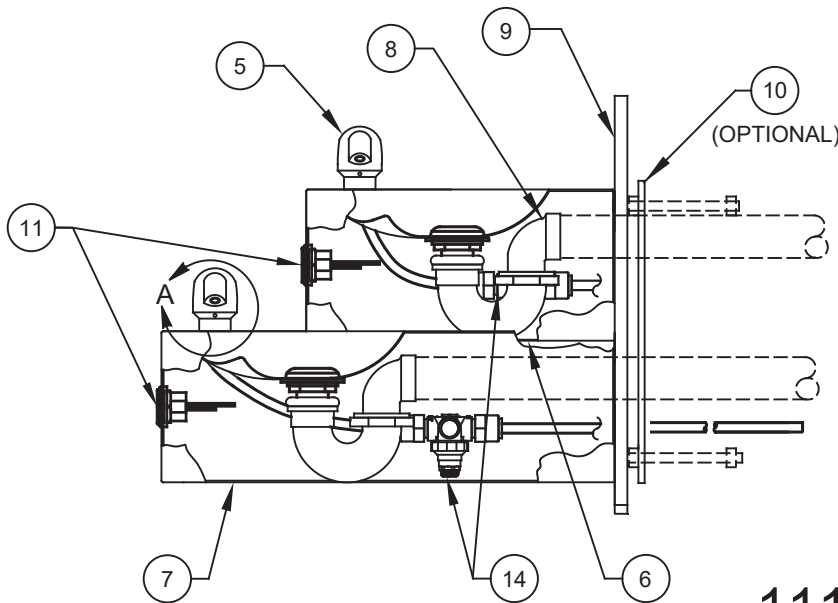
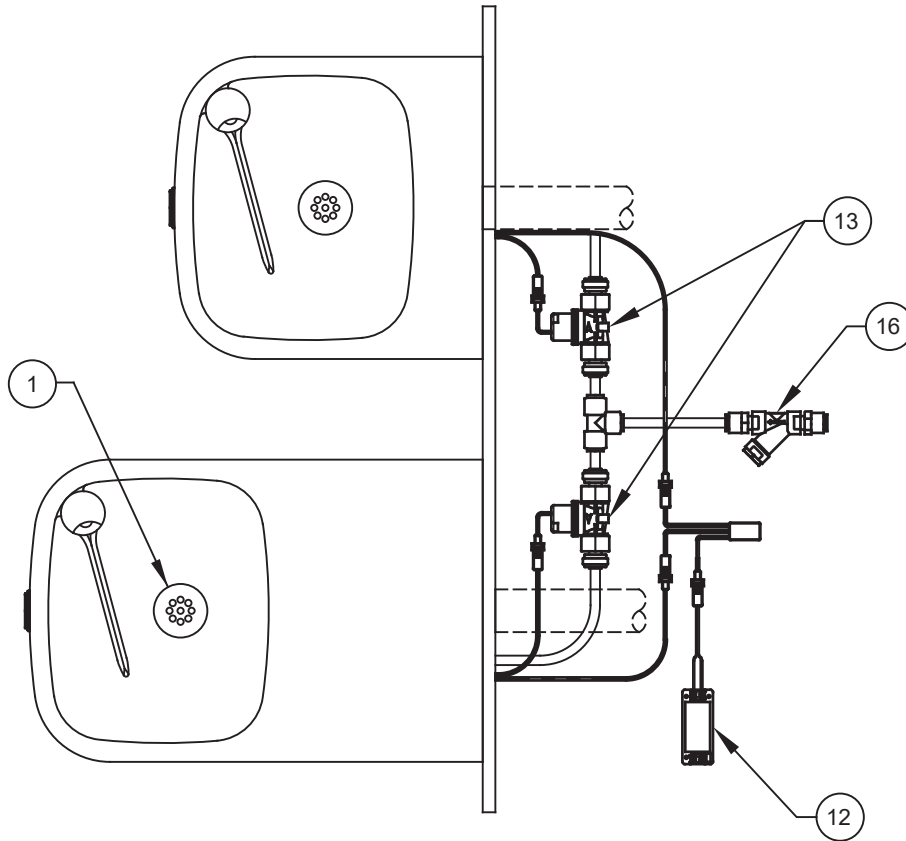
* DENOTES OPTIONAL PART.



PARTS BREAKDOWN

WHEN ORDERING PARTS PLEASE SPECIFY MODEL NUMBER.


		Haws [®]		1455 KLEPPE LANE SPARKS, NEVADA 89431 (775) 359-4712 FAX (775) 359-7424 E-MAIL: HAWS@HAWS.CO.COM WEBSITE: WWW.HAWS.CO.COM	
				ECN NO. 5693 DRAWN DP APPROVED FV	REVISED PER ECN: 5741 DATE 05/10/21 DATE 11/12/21



1119.14HO2 SHOWN
1119.14HO ON SHEET 1

PARTS BREAKDOWN

WHEN ORDERING PARTS PLEASE SPECIFY MODEL NUMBER.

		1455 KLEPPE LANE SPARKS, NEVADA 89431 (775) 359-4712 FAX (775) 359-7424 E-MAIL: HAWS@HAWS.CO.COM WEBSITE: WWW.HAWS.CO.COM	
ECN NO. 5693	REVISED PER ECN: 5741	BY FV	MODEL(S) 1119.14HO/1119.14HO2
DRAWN DP	DATE 05/10/21	CHKD BJM	PART NUMBER 0510001203
APPROVED FV	DATE 11/12/21	SCALE: 1:4	REVISION 2
DRAWING TYPE: PARTS BREAKDOWN		SIZE: A	SHEET 2 OF 2