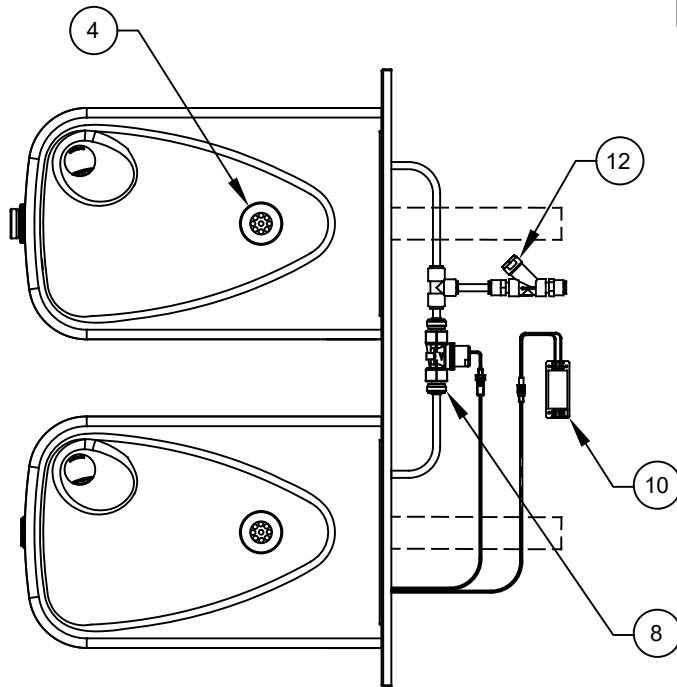
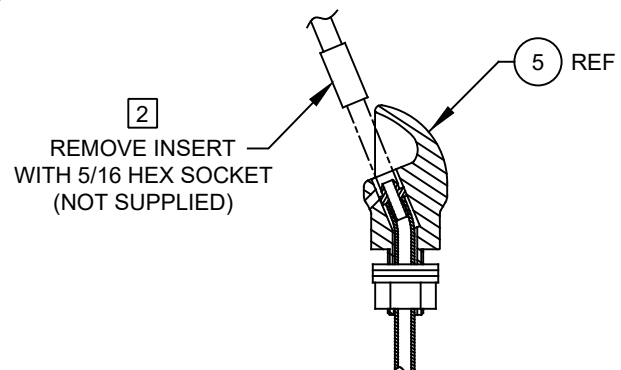
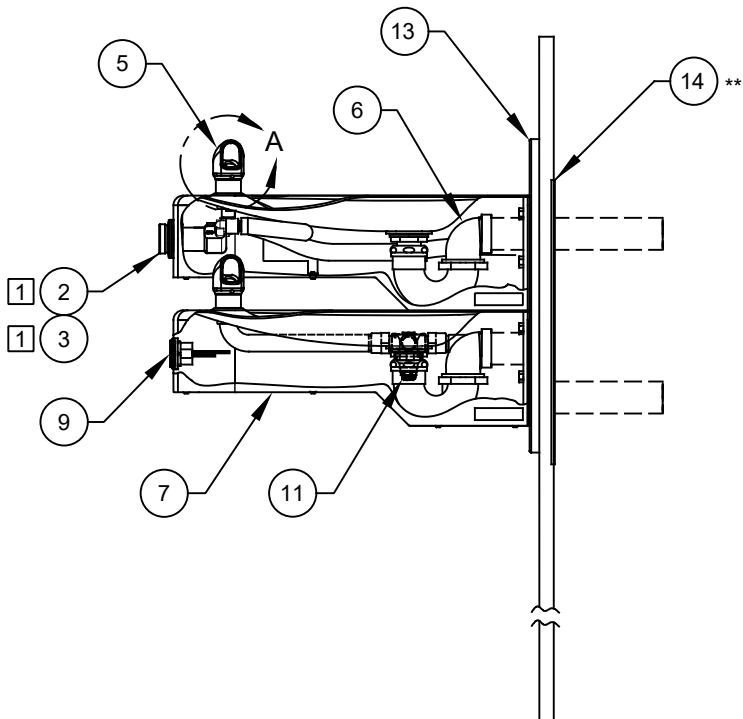


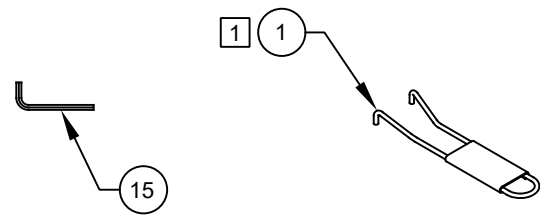
ITEM	DESCRIPTION	PART NO.	
1	1	SPANNER WRENCH	0006983506
1	2	BUTTON, PUSH, FLANGED, ASSY	PBA6
1	3	VALVE REPAIR KIT	VRK5874
4	4	STRAINER ASSY	6462
5	5	BUBBLER HEAD	5703M
6	6	TRAP LOW PROFILE	0005982900
7	7	BOTTOM PLATE	PBM1107
8	8	SOLENOID VALVE	VRKHO5
9	9	SENSOR	VRKHO6
10	10	TRANSFORMER	VRKHO8
11	11	PRESSURE REGULATOR	5867
12	12	Y-STRAINER	6433
13	13	BACK PANEL	0004023590
**	14	MOUNTING PLATE	6700.4
	15	KEY HEX F/PINNED HEX	0002981127



\*\* OPTIONAL



DETAIL A  
ROTATED 90° INTO VIEW




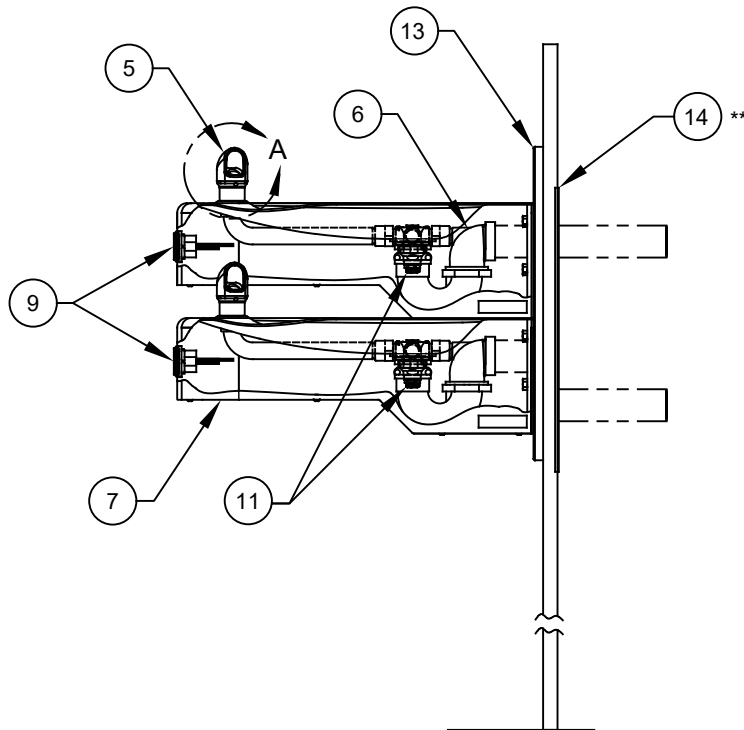
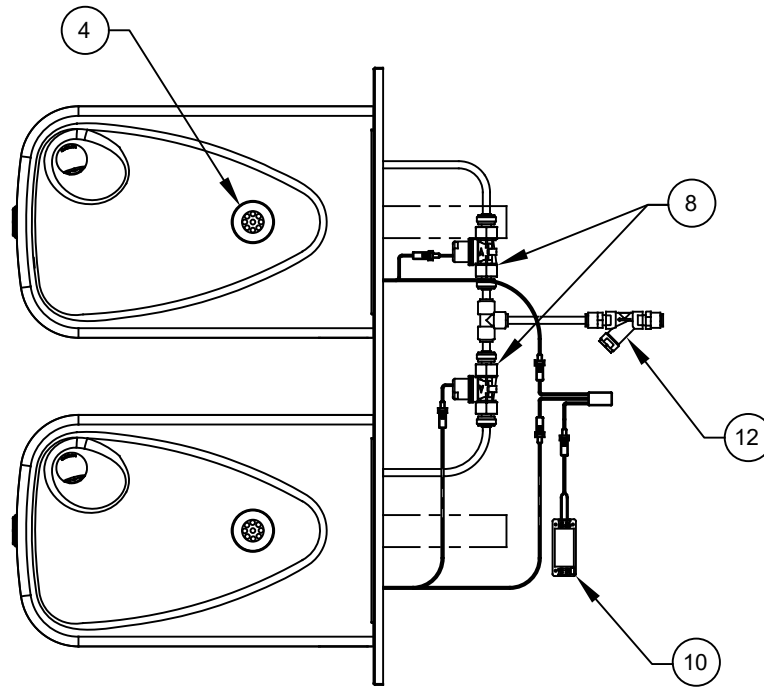
NOTES:

- 1 ITEMS 1, 2 AND 3 ARE ONLY USED ON MODEL 1117LNHO.
- 2 ENSURE TUBE IS DISCONNECTED FROM PUSH BUTTON VALVE BODY PRIOR TO REMOVAL. APPLY ONE DROP OF LOCTITE 222MS TO NOZZLE THREADS PRIOR TO FASTENING BACK ONTO BUBBLER HEAD. RE-ATTACH TUBE TO VALVE.

# 1117LNHO SHOWN 1117LNHO2 ON SHEET 2 PARTS BREAKDOWN

WHEN ORDERING PARTS PLEASE SPECIFY MODEL NUMBER.


		1455 KLEPPE LANE SPARKS, NEVADA 89431 (775) 359-4712 FAX (775) 359-7424 E-MAIL: HAWS@HAWS.CO.COM WEBSITE: WWW.HAWS.CO.COM	
ECN NO. 5713	REVISED PER ECN: 5713	BY FV	MODEL(S) 1117LNHO/1117LNHO2
DRAWN FV	DATE 07/28/21	CHKD DP	PART NUMBER 0510001210
APPROVED FV	DATE 07/29/21	SCALE: 1:1	REVISION 1
		DRAWING TYPE: PARTS BREAKDOWN	SIZE: A SHEET 1 OF 2



1117LNHO2 SHOWN  
1117LNHO ON SHEET 1

# PARTS BREAKDOWN

WHEN ORDERING PARTS PLEASE SPECIFY MODEL NUMBER.

		<b>Haws</b> <sup>®</sup>		1455 KLEPPE LANE SPARKS, NEVADA 89431 (775) 359-4712 FAX (775) 359-7424 E-MAIL: HAWS@HAWS.CO.COM WEBSITE: WWW.HAWS.CO.COM	
				ECN NO. 5713 DRAWN FV APPROVED FV	REVISED PER ECN: 5713 DATE 07/28/21 DATE 07/29/21
		SCALE: 1:1	DRAWING TYPE: PARTS BREAKDOWN	SIZE: A	SHEET 2 OF 2