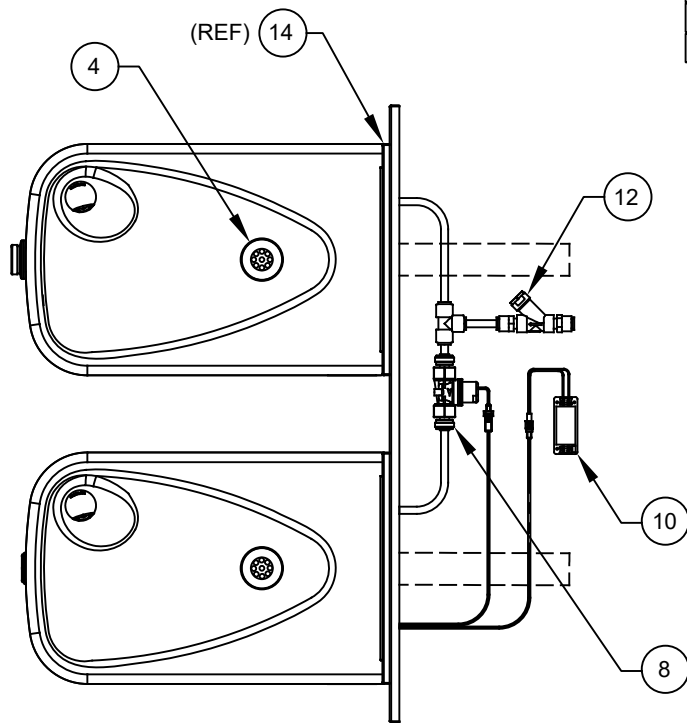
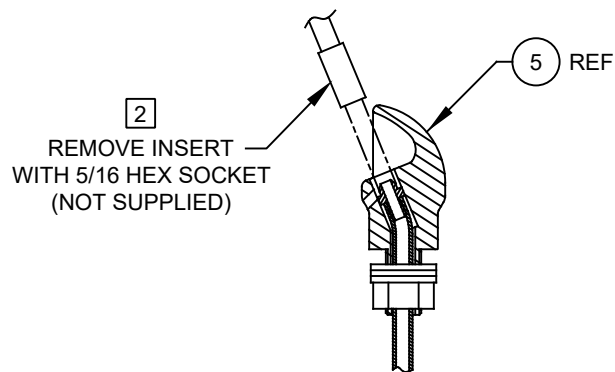
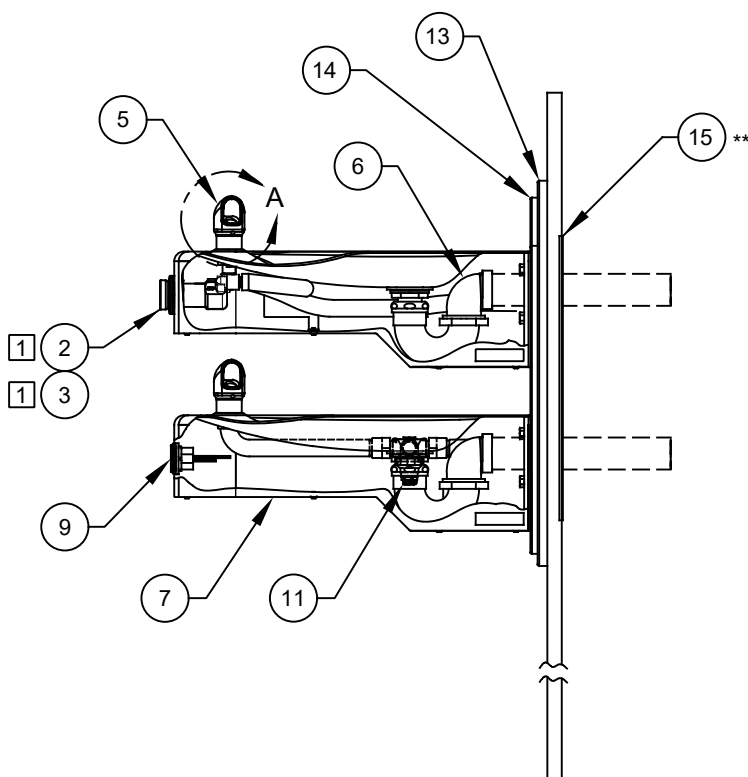


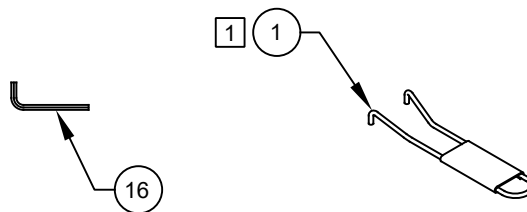
ITEM	DESCRIPTION	PART NO.	
1	1	SPANNER WRENCH	0006983506
1	2	BUTTON, PUSH, FLANGED, ASSY	PBA6
1	3	VALVE REPAIR KIT	VRK5874
4	4	STRAINER ASSY	6462
5	5	BUBBLER HEAD	5703M
6	6	TRAP LOW PROFILE	0005982900
7	7	BOTTOM PLATE	PBM1107
8	8	SOLENOID VALVE	VRKHO5
9	9	SENSOR	VRKHO6
10	10	TRANSFORMER	VRKHO8
11	11	PRESSURE REGULATOR	5867
12	12	Y-STRAINER	6433
13	13	BACK PANEL	0004023590
14	14	BACK PANEL SMALL	0004023587
**	15	MOUNTING PLATE	6717
16	16	KEY HEX F/PINNED HEX	0002981127



** REQUIRED - SOLD SEPARATELY



DETAIL A
ROTATED 90° INTO VIEW



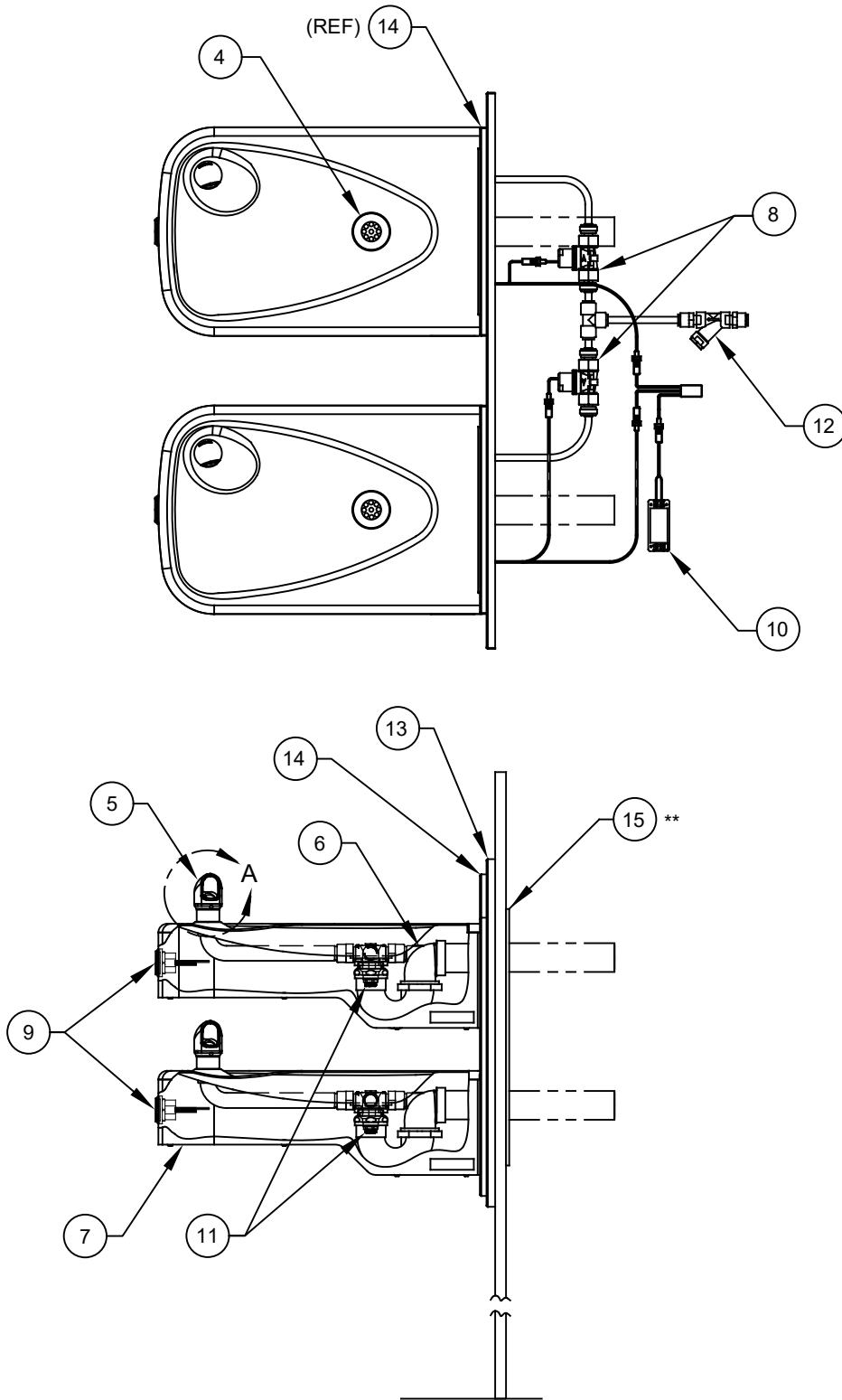
NOTES:

- [1] ITEMS 1, 2 AND 3 ARE ONLY USED ON MODEL 1117LHO.
- [2] ENSURE TUBE IS DISCONNECTED FROM PUSH BUTTON VALVE BODY PRIOR TO REMOVAL. APPLY ONE DROP OF LOCTITE 222MS TO NOZZLE THREADS PRIOR TO FASTENING BACK ONTO BUBBLER HEAD. RE-ATTACH TUBE TO VALVE.

1117LHO SHOWN 1117LHO2 ON SHEET 2 PARTS BREAKDOWN

WHEN ORDERING PARTS PLEASE SPECIFY MODEL NUMBER.

		1455 KLEPPE LANE SPARKS, NEVADA 89431 (775) 359-4712 FAX (775) 359-7424 E-MAIL: HAWS@HAWS.CO.COM WEBSITE: WWW.HAWS.CO.COM	
ECN NO. 5712	REVISED PER ECN: 5712	BY FV	MODEL(S) 1117LHO/1117LHO2
DRAWN FV	DATE 07/21/21	CHKD DP	PART NUMBER 0510001209
APPROVED FV	DATE 07/29/21	SCALE: 1:1	REVISION 1
DRAWING TYPE: PARTS BREAKDOWN		SIZE: A	SHEET 1 OF 2



1117LHO2 SHOWN
1117LHO ON SHEET 1

PARTS BREAKDOWN

WHEN ORDERING PARTS PLEASE SPECIFY MODEL NUMBER.



Haws®

1455 KLEPPE LANE
SPARKS, NEVADA 89431
(775) 359-4712 FAX (775) 359-7424
E-MAIL: HAWS@HAWS.CO.COM
WEBSITE: WWW.HAWS.CO.COM

ECN NO. 5712	REVISED PER ECN: 5712	BY FV
DRAWN FV	DATE 07/21/21	CHKD DP
APPROVED FV	DATE 07/29/21	

MODEL(S) 1117LHO/1117LHO2

PART NUMBER 0510001209
REVISION 1