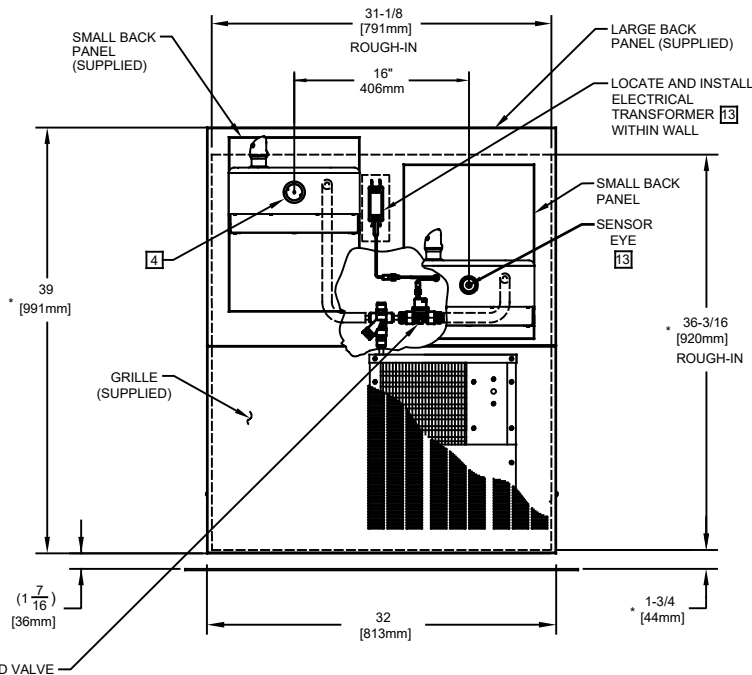
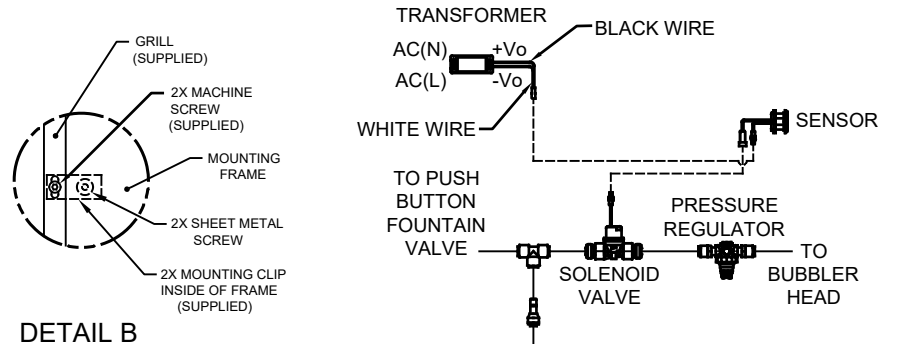
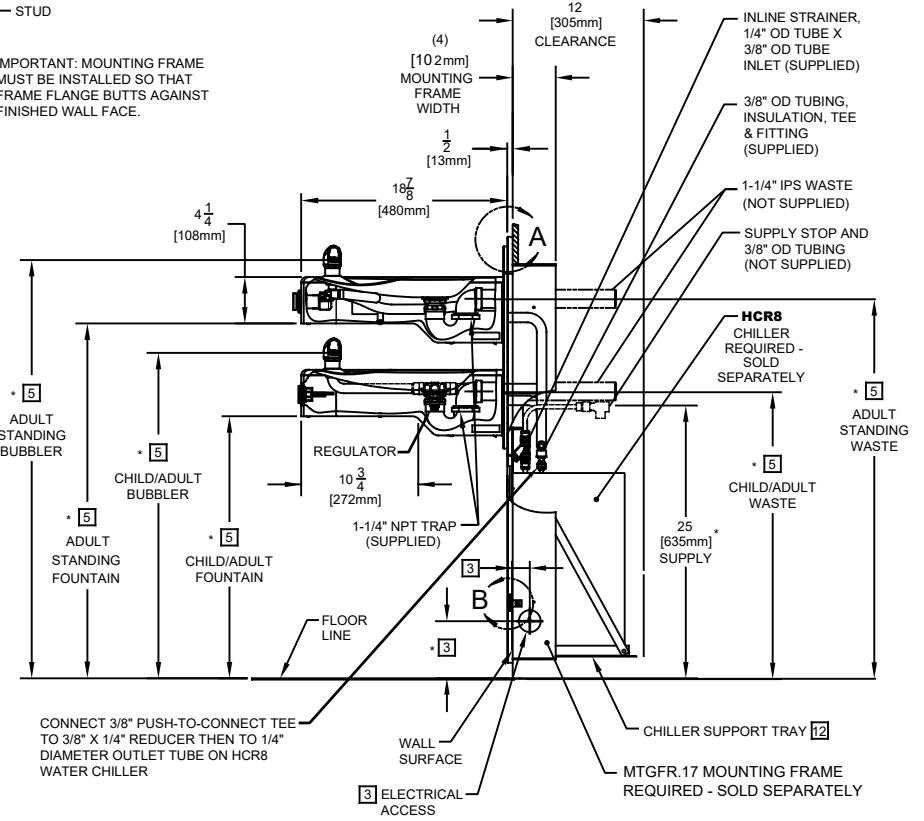
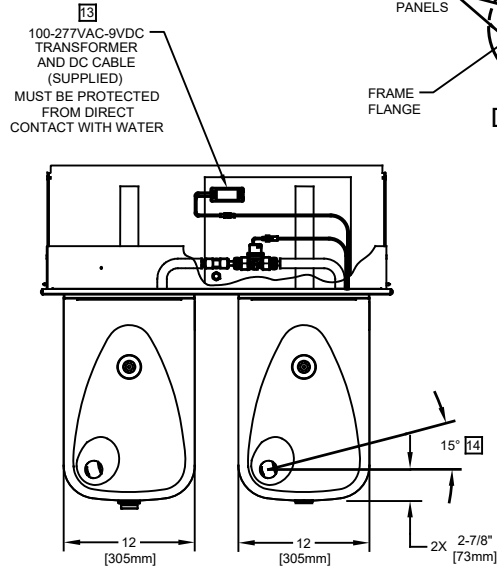
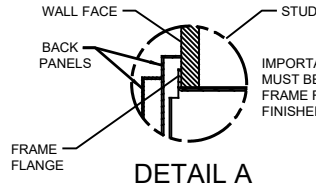


NOTES:

- HOLD ROUGH-IN DIMENSIONS ± 1/8" (3.2mm)
- WHEN INSTALLING THIS UNIT, LOCAL, STATE, OR FEDERAL CODES SHOULD BE ADHERED TO. FOR INSTALLATION DIMENSIONS (LOCATIONS), WASTE AND SUPPLY REQUIREMENTS OTHER THAN SHOWN, DIMENSIONS MARKED (*) MUST BE ADJUSTED ACCORDINGLY.
- REFER TO MTGFR.17 INSTALLATION DRAWING FOR FRAME ROUGH-IN DIMENSIONS.
- REFER TO 5874 SERIES OPERATION AND MAINTENANCE MANUAL FOR PUSH BUTTON AND VALVE INSTALLATION/MAINTENANCE INSTRUCTIONS.
- ROUGH-IN DIMENSIONS FOR FOUNTAIN HEIGHTS:
 - CHILD WHEELCHAIR HEIGHT: SEE SHEET 3 FIG 1
WASTE: 26-1/4" (667mm)
FOUNTAIN: 24" (610mm)
BUBBLER: 29-7/8" (756mm)
 - ADULT WHEELCHAIR HEIGHT: SEE SHEET 3 FIG 2
WASTE: 29-1/4" (743mm)
FOUNTAIN: 27" (686mm)
BUBBLER: 32-7/8" (832mm)
 - ADULT STANDING HEIGHT: SEE SHEET 3 FIG 3
WASTE: 34-3/4" (883mm)
FOUNTAIN: 32-1/2" (826mm)
BUBBLER: 39-3/8" (972mm)
- REFER TO MODEL H1117.8HO/H1117.8HO2 INSTALLATION DRAWING SHEET 3 OF 3 (ON HAWS WEBSITE WWW.HAWSCO.COM) FOR PERMISSIBLE BOWL MOUNTING PATTERNS. TWO WHEELCHAIR HEIGHT FOUNTAINS CANNOT BE MOUNTED SIDE BY SIDE PER ANSI A117.1

NOTES CONTINUED ON SHEET 3 OF 3



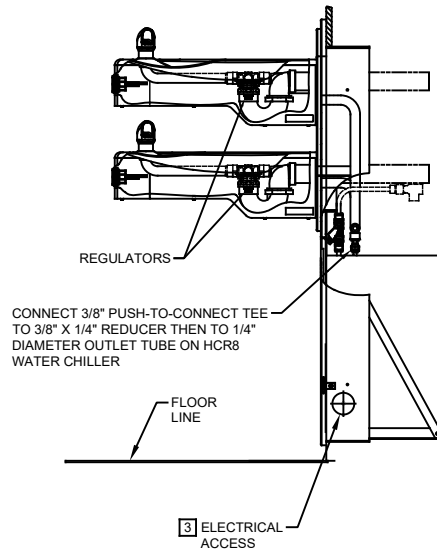
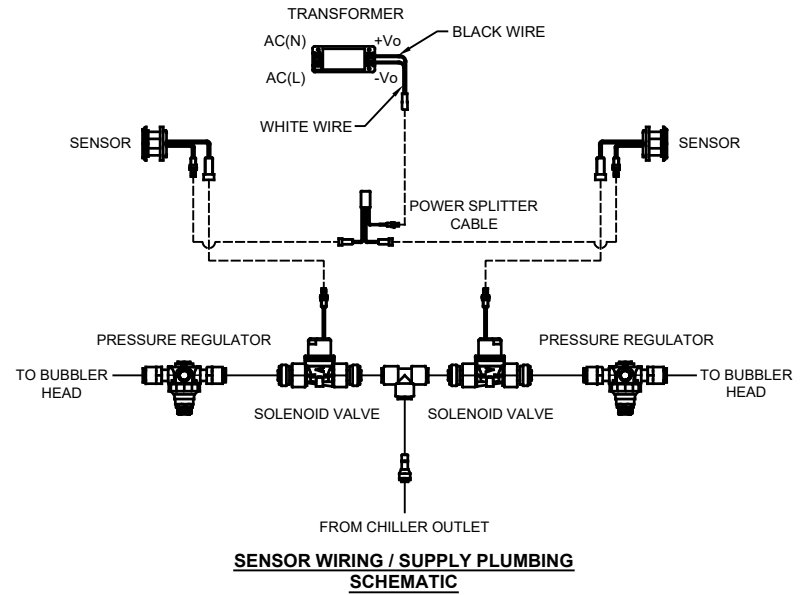
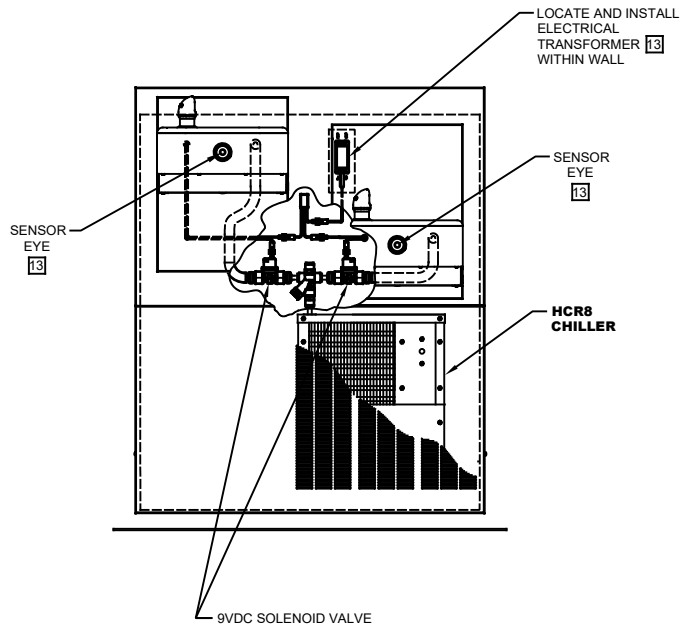
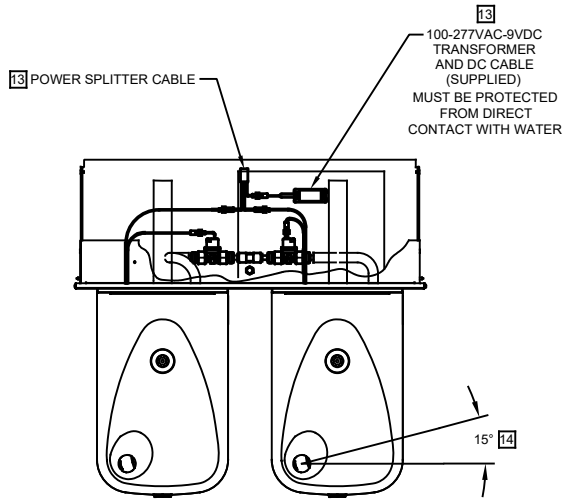
MODEL H1117.8HO SHOWN

MODEL H1117.8HO2 ON SHEET 2

(ROUGH-IN DIMENSIONS APPLY TO BOTH MODELS WITH EXCEPTIONS NOTED ON SHEET 2)

FROM CHILLER OUTLET
SENSOR WIRING / SUPPLY PLUMBING SCHEMATIC

		1455 KLEPPE LANE SPARKS, NEVADA 89431 (775) 359-4712 FAX (775) 359-7424 E-MAIL: HAWS@HAWSCO.COM WEBSITE: WWW.HAWSCO.COM	
		ECN NO. 5706 DRAWN: FV APPROVED: FV	REVISED PER: ECN: 5706 DATE: 06/28/21 DATE: 06/28/21
PART NUMBER 0510001207.D		REVISION 1	
SCALE: NA		DRAWING TYPE: INSTALLATION	
SIZE: A		SHEET 1 OF 3	

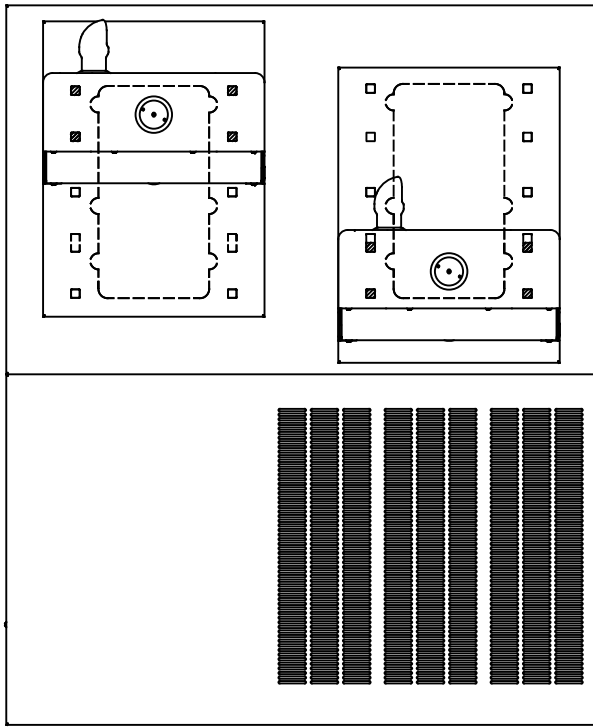
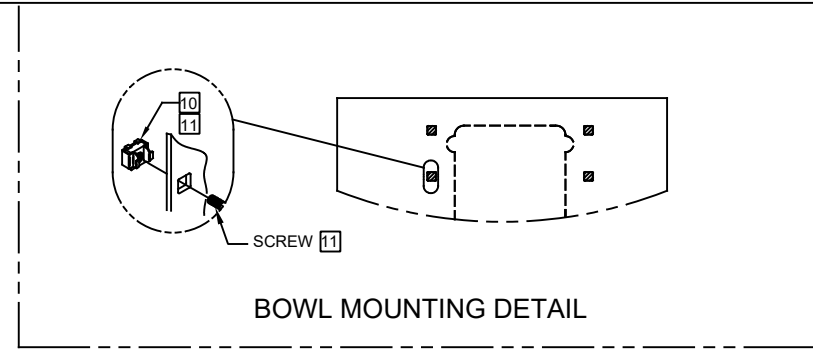


MODEL H1117.8HO2 SHOWN
 MODEL H1117.8HO ON SHEET 1
 (SEE SHEET 1 FOR APPLICABLE ROUGH-IN DIMENSIONS)

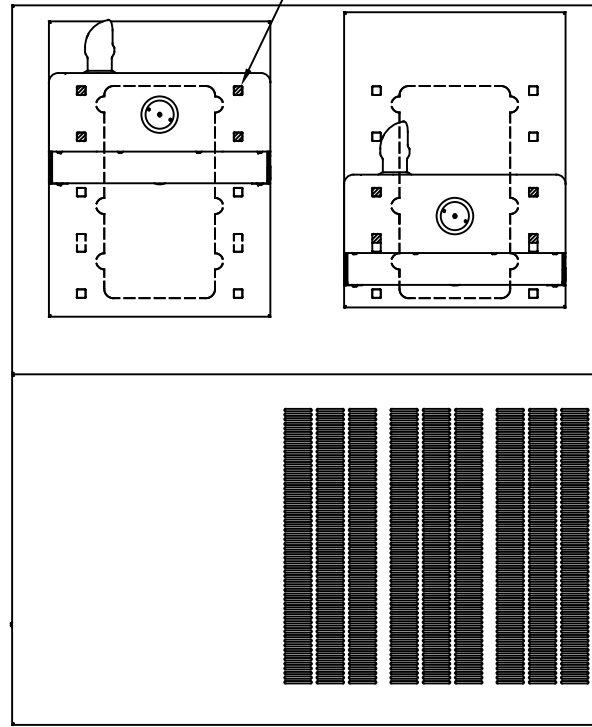
		1455 KLEPPE LANE SPARKS, NEVADA 89431 (775) 359-4712 FAX (775) 359-7424 E-MAIL: HAWS@HAWSCO.COM WEBSITE: WWW.HAWSCO.COM	
		ECN NO. 5706 DRAWN: FV APPROVED: FV	REVISED PER: FV DATE: 06/28/21 DATE: 06/28/21
		PART NUMBER 0510001207	REVISION 1
		SCALE: NA	DRAWING TYPE: INSTALLATION
		SIZE: A	SHEET 2 OF 3

NOTES:

- 7 FIGURES 1 AND 2 ARE REVERSIBLE. CAN BE RIGHT OR LEFT SIDE HIGH.
- 8 USE SHADED HOLES TO MOUNT BOWLS AT INDICATED POSITIONS BASED ON COMBINATION SELECTED (FIGS. 1 THRU 3).
- 9. REFER TO SHEET 1 OF 3 NOTE 5. FOR INSTALLED FOUNTAIN DIMENSIONS.
- 10 INSERT 5/16"-18 PANEL NUT RETAINERS FROM OPPOSITE SIDE AT LOCATIONS SELECTED (SHOWN BY DARKENED HOLES). HOLE COMBINATION SHOWN (INSET) IS FOR REF. ONLY
- 11 TO CHANGE FOUNTAIN MTG. SCREW LOCATIONS: FIRST REMOVE SCREWS AND THEN SQUEEZE CLIPS ON NUT RETAINER TO POP OUT. SNAP INTO NEW POSITIONS AND RE-ASSEMBLE SCREWS.
- 12 ALIGN HOLES IN CHILLER SUPPORT TRAY WITH HOLES IN FRAME AND FASTEN WITH #10 SHEETMETAL SCREWS.
- 13 REFER TO 1RKHO.H & 2RKHO.H OPERATION AND MAINTENANCE INSTRUCTIONS FOR TRANSFORMER AND SENSOR SETUP.
- 14 MAXIMUM ADJUSTABLE RANGE IS 15° FROM PARALLEL TO BACK OF WALL.



7 FIGURE 1.
ADULT STANDING/CHILD WHEELCHAIR



7 FIGURE 2.
ADULT STANDING/ADULT WHEELCHAIR

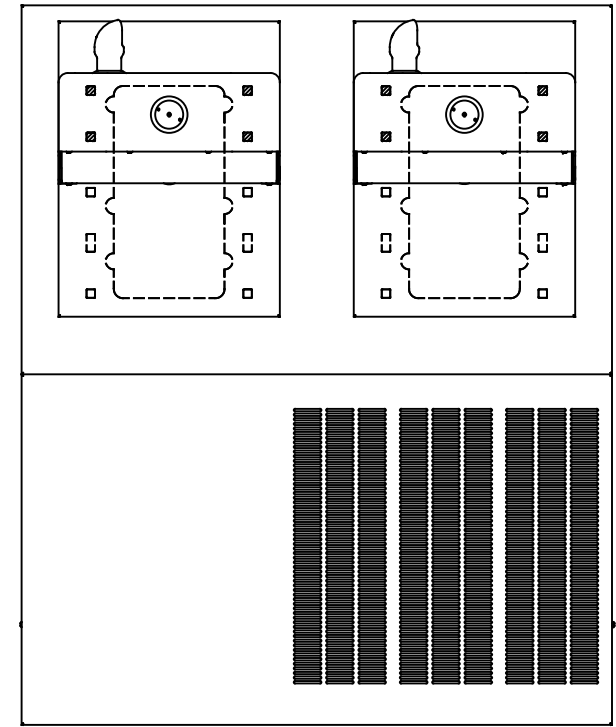


FIGURE 3.
ADULT STANDING/ADULT STANDING

BOWL MOUNTING PATTERNS

		1455 KLEPPE LANE SPARKS, NEVADA 89431 (775) 359-4712 FAX (775) 359-7424 E-MAIL: HAWS@HAWS.CO.COM WEBSITE: WWW.HAWS.CO.COM	
		MODEL(S) H1117.8HO/H1117.8HO2	PART NUMBER 0510001207
ECN NO. 5706 DRAWN: FV APPROVED: FV	REVISED PER: FV DATE: 06/28/21 DATE: 06/28/21	BY: FV CHKD.: DP	REVISION 1
SCALE: N/A		DRAWING TYPE: INSTALLATION	SIZE: A SHEET 3 OF 3