

INSTALLATION INSTRUCTIONS FOR 3000 GALLON FILTER

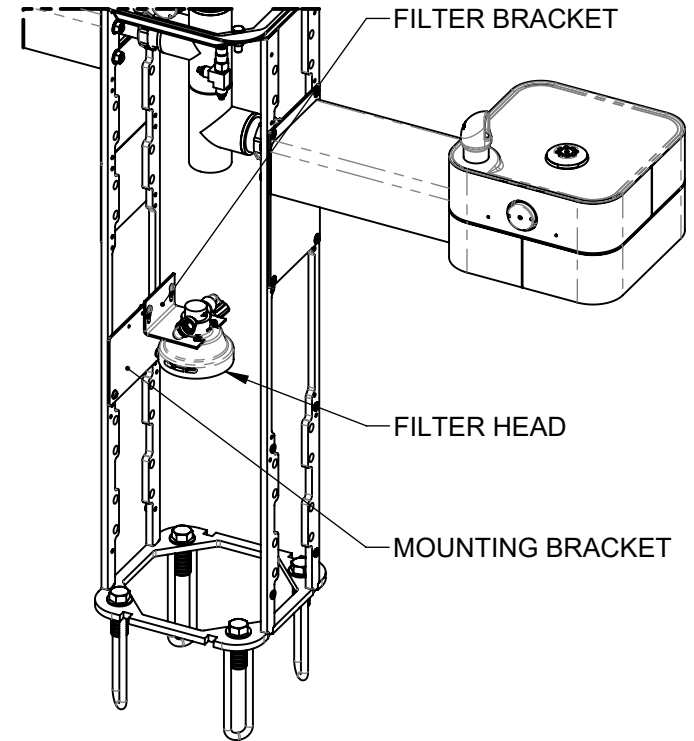
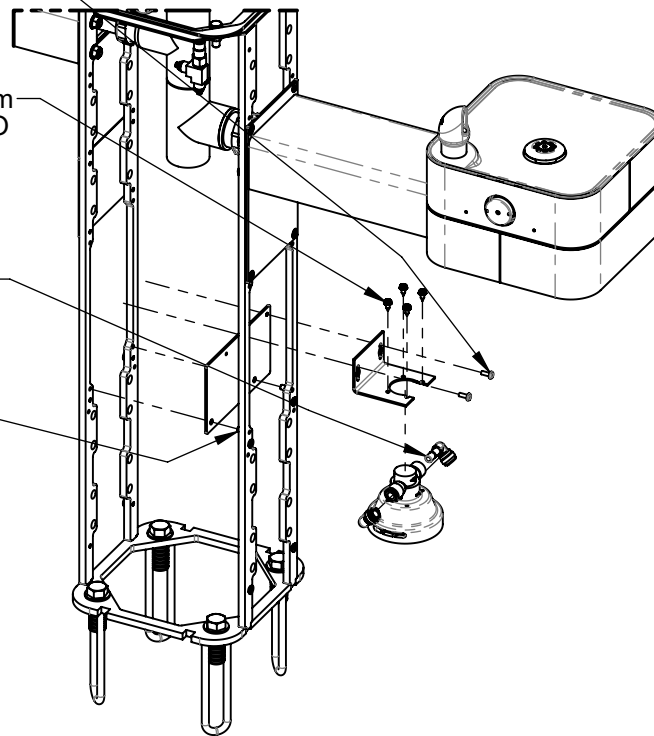
STEP 1: USE 2X SLOT-HEAD 10-32 X 1/2 SCREWS (SUPPLIED) TO SECURE FILTER BRACKET TO THREADED HOLES ON MOUNTING BRACKET (SUPPLIED).

STEP 2: USE 4X PHILLIPS-HEAD #10 X 12mm THREAD-CUTTING SCREWS (SUPPLIED) TO SECURE FILTER HEAD TO FILTER BRACKET. ORIENT DIRECTION OF FLOW ARROW TOWARDS FRONT OF PEDESTAL.

STEP 3: INSERT 2X 3/8" PUSH-CONNECT ELBOW FITTINGS (SUPPLIED) INTO FILTER HEAD (SUPPLIED). INSERT FULLY.

STEP 4: USE 2X TAMPER-RESISTANT 1/4-20 X 5/16 SCREWS (SUPPLIED) TO SECURE MOUNTING BRACKET SUB-ASSEMBLY (STEPS 1 - 3) TO PEDESTAL. USE THREADED HOLES SHOWN.

REFERENCE COMPLETE 6477 FILTER BRACKET MOUNTING ASSEMBLY (SHOWN ON SHEET 2) FOR FINISHED INSTALLATION AS RETROFITTED ON AN EXISTING CUSTOMER UNIT OR A NEW INSTALLATION.



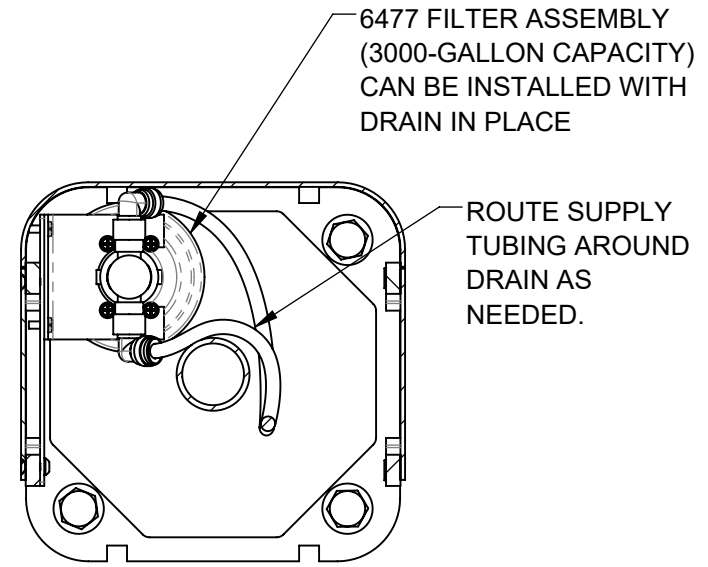
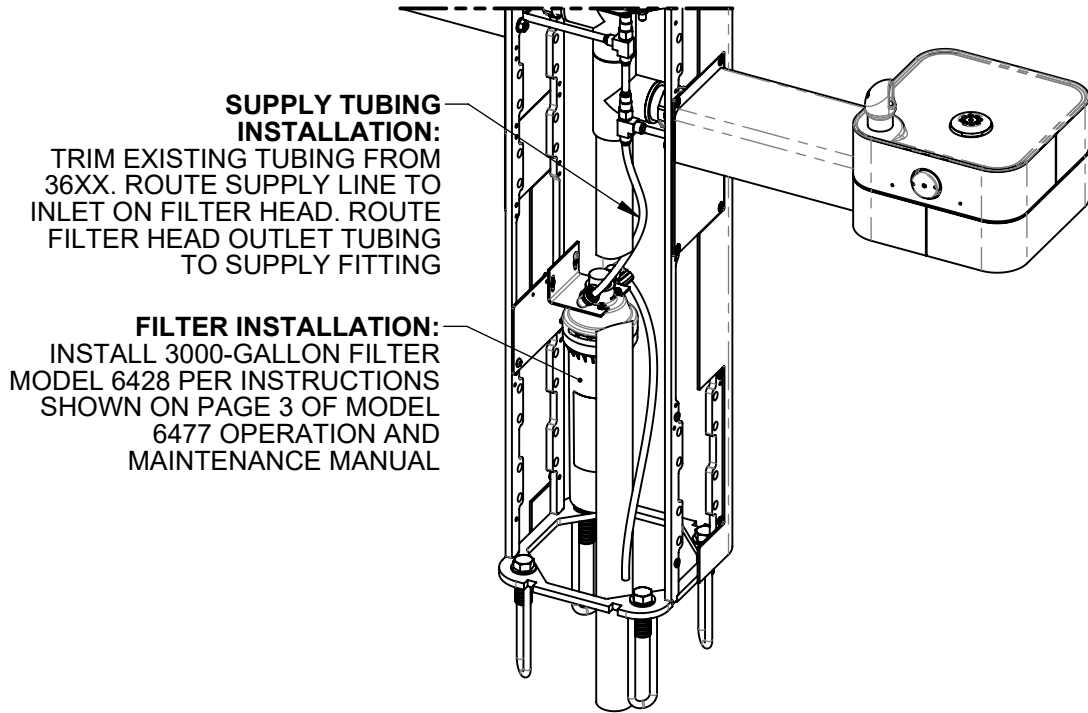
6477 FILTER BRACKET MOUNTING INSTRUCTIONS
(PEDESTAL SIDES, DRAIN HIDDEN FOR CLARITY)

6477 FILTER HEAD/BRACKET MOUNTING (ASSEMBLED)
(PEDESTAL SIDES, DRAIN HIDDEN FOR CLARITY)

NOTES:

1. FOR NEW INSTALLATIONS USING BASE MODEL "F" SERIES UNITS (3612F SHOWN FOR REF. ONLY) - 6477 FILTER AND MOUNTING HARDWARE CAN BE INSTALLED BEFORE OR AFTER DRAIN INSTALLATION.
2. FOR RETROFIT INSTALLATIONS ON EXISTING UNITS (MODELS 3602, 3610, 3611 OR 3612) - 6477 FILTER AND MOUNTING HARDWARE CAN BE INSTALLED WITHOUT CHANGING EXISTING DRAIN PIPE. SEE SHEET 2 FOR DETAILS.
3. THIS FILTER KIT (3000-GALLON CAPACITY) IS TO BE USED ON NEW INSTALLATIONS WITH MODELS 3602F, 3610F, 3611F AND 3612F, AS WELL AS FOR RETROFITTING EXISTING MODELS 3602, 3610, 3611 AND 3612. **NOTE: SEE SHEET 3 FOR OPTIONAL OWNER-PROVIDED FILTER INSTALLATION INSTRUCTIONS.**


Haws <i>Since 1906</i>			1455 KLEPPE LANE SPARKS, NEVADA 89431 (775) 359-4712 FAX (775) 359-7424 E-MAIL: HAWS@HAWS.CO.COM WEBSITE: WWW.HAWS.CO.COM	
ECN:	REV. ECN:	BY:	MODEL(S)	PART NUMBER
5719	6125	FV	6477	0510002018.D
DRAWN:	DATE:	CHKD:		REVISION
BJM	09/09/21	JC		5
APPROVED:	DATE:	SCALE:	DRAWING TYPE:	INSTALLATION
FV	10/22/24	1:10	SIZE: A	SHEET 1 OF 3



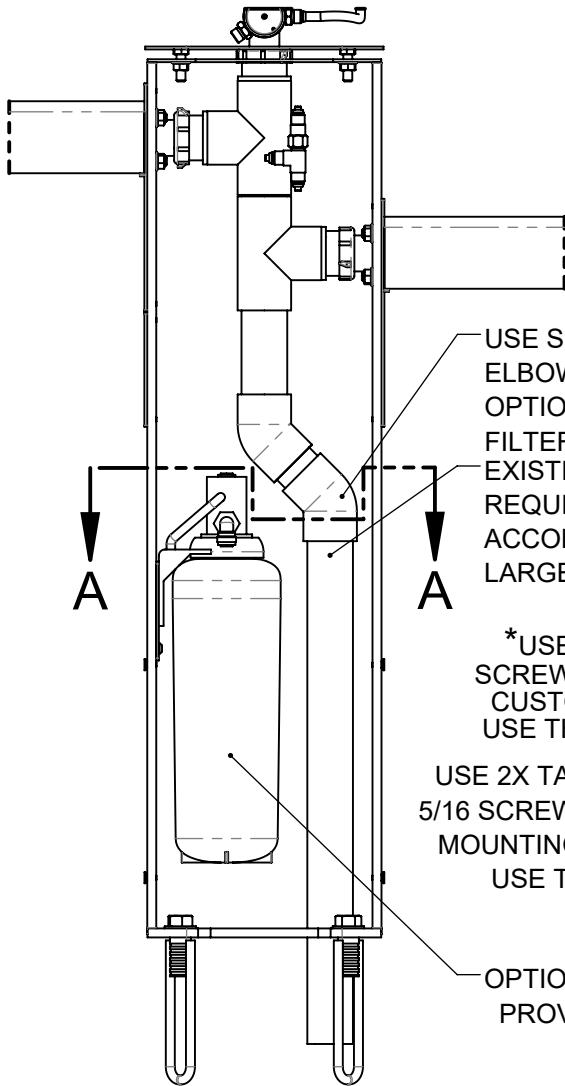
6477 FILTER AND SUPPLY LINE
INTERNAL TOP-DOWN PEDESTAL VIEW
SCALE 1:8

6477 FILTER AND SUPPLY LINE INSTRUCTIONS
PEDESTAL SIDES HIDDEN FOR CLARITY

6477 FILTER MOUNTING KIT SHOWN ON MODEL 3612/3612F FOR REFERENCE (ONLY). INSTALLATION INSTRUCTIONS APPLY TO EITHER NEW OR RETROFIT APPLICATIONS USING THE SUPPLIED 3000-GALLON CAPACITY FILTER SHOWN (THE SUPPLIED 1-1/2" X 3" PVC PIPE AND 45° PVC ELBOWS (QTY. 2) ARE NOT REQUIRED FOR THIS SPECIFIC APPLICATION). NOTE: SEE SHEET 3 FOR OPTIONAL OWNER-PROVIDED FILTER INSTALLATION INSTRUCTIONS.

 Haws Since 1906		1455 KLEPPE LANE SPARKS, NEVADA 89431 (775) 359-4712 FAX (775) 359-7424 E-MAIL: HAWS@HAWSO.COM WEBSITE: WWW.HAWSO.COM	
		ECN: 5719 REV. ECN: 6125 BY: FV DRAWN: BJM DATE: 09/09/21 APPROVED: FV DATE: 10/22/24	MODEL(S) 6477
SCALE: 1:10		DRAWING TYPE: INSTALLATION	
SIZE: A		SHEET 2 OF 3	

OPTIONAL OWNER-PROVIDED FILTER INSTALLATION

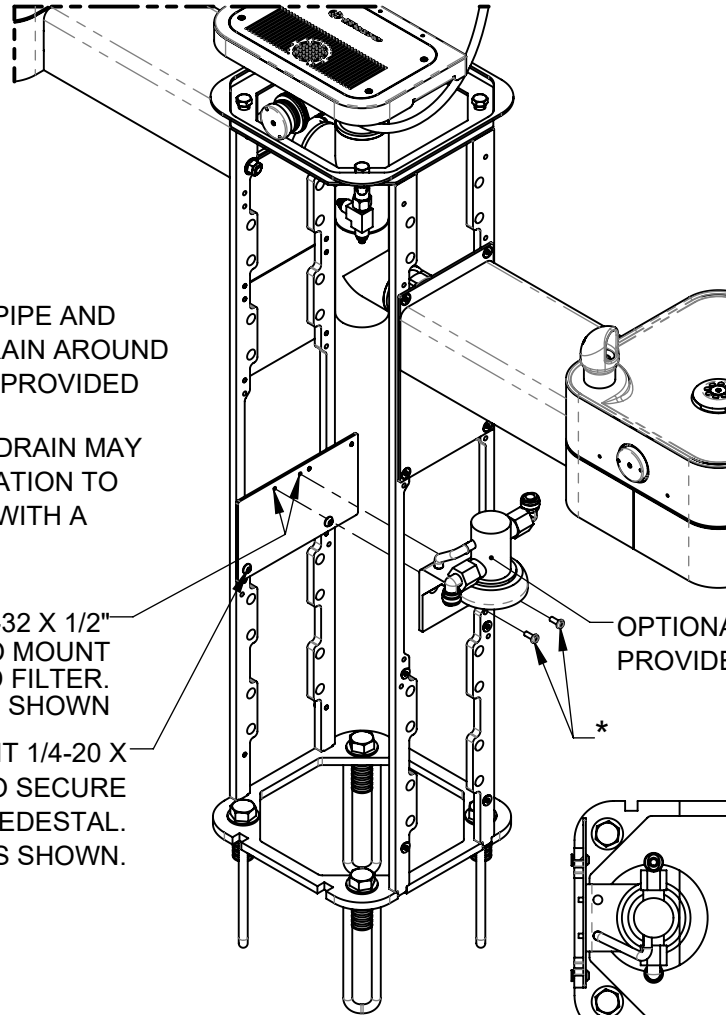


USE SUPPLIED 3" PVC PIPE AND ELBOWS TO ROUTE DRAIN AROUND OPTIONAL CUSTOMER-PROVIDED FILTER.
 EXISTING DRAIN PIPE. DRAIN MAY REQUIRE OFFSET LOCATION TO ACCOMMODATE FILTER WITH A LARGER DIAMETER.

*USE 2X SLOTTED 10-32 X 1/2" SCREWS (SUPPLIED) TO MOUNT CUSTOMER-PROVIDED FILTER. USE THREADED HOLES SHOWN

USE 2X TAMPER-RESISTANT 1/4-20 X 5/16 SCREWS (SUPPLIED) TO SECURE MOUNTING BRACKET TO PEDESTAL. USE THREADED HOLES SHOWN.

OPTIONAL OWNER-PROVIDED FILTER




OPTIONAL OWNER-PROVIDED FILTER HEAD

DRAIN OFFSET 2" TO ACCOMMODATE LARGER FILTER MAY BE REQUIRED. CHECK FOR FILTER CLEARANCES BASED ON THE OPTIONAL FILTER YOU PROVIDE, PRIOR TO SETTING DRAIN & ANCHORS.

ALTERNATE DRAIN LOCATION FOR CUSTOMER SUPPLIED OPTIONAL FILTER SECTION A-A

INSTRUCTIONS FOR OPTIONAL OWNER-PROVIDED FILTER.
NOTE: MOUNTING BRACKET, 1-1/2" X 3" PVC PIPE AND 45° PVC ELBOWS (QTY. 2) SUPPLIED WITH 6477 FILTER MOUNTING KIT ARE REQUIRED (SHOWN ON MODEL 3612/3612F FOR REFERENCE ONLY).
INSTALLATION INSTRUCTIONS APPLY TO EITHER NEW OR RETROFIT APPLICATIONS. SEE SHEETS 1 AND 2 FOR STANDARD FILTER (3000-GALLON CAPACITY) INSTALLATION INSTRUCTIONS.

 Haws Since 1906		1455 KLEPPE LANE SPARKS, NEVADA 89431 (775) 359-4712 FAX (775) 359-7424 E-MAIL: HAWS@HAWS.CO.COM WEBSITE: WWW.HAWS.CO.COM	
		ECN: 5719 REV. ECN: 6125 BY: FV DATE: 09/09/21 CHKD: JC	MODEL(S) 6477
APPROVED: FV DATE: 10/22/24	SCALE: 1:24 DRAWING TYPE: INSTALLATION	SIZE: A	SHEET 3 OF 3