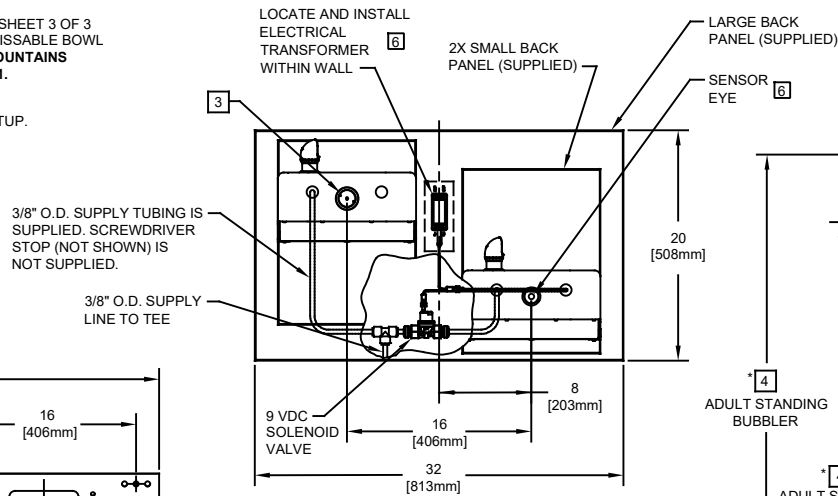
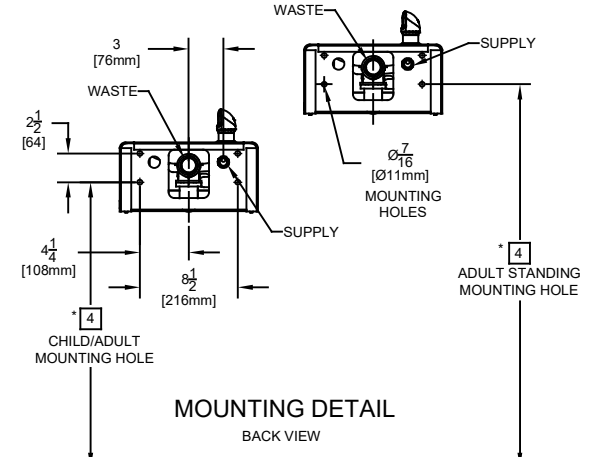
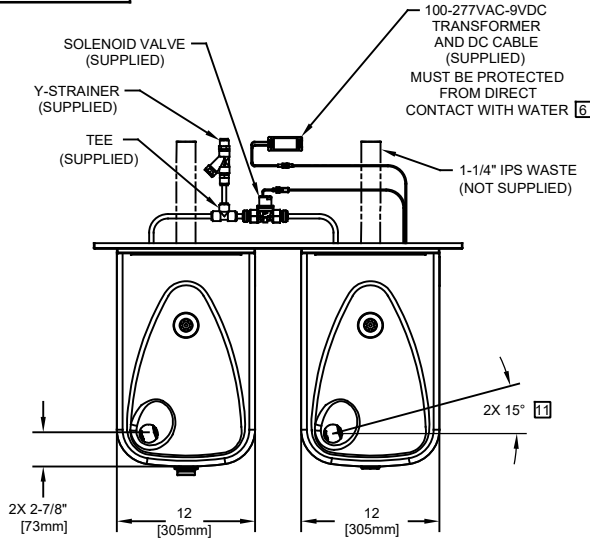


NOTES:

- HOLD ROUGH-IN DIMENSIONS $\pm \frac{1}{8}$ " (3.2MM).
- WHEN INSTALLING THIS UNIT, LOCAL, STATE, OR FEDERAL CODES SHOULD BE ADHERED TO. FOR INSTALLATION HEIGHTS OTHER THAN SHOWN, DIMENSIONS MARKED (*) MUST BE ADJUSTED ACCORDINGLY.
- REFER TO 5874 SERIES OPERATION AND MAINTENANCE MANUAL FOR PUSH BUTTON AND VALVE INSTALLATION/MAINTENANCE INSTRUCTIONS.
- ROUGH IN DIMENSIONS FOR FOUNTAIN HEIGHTS:
 - CHILD WHEELCHAIR HEIGHT: SEE SHT 3 FIG 1
 - WASTE: 26-1/4" (667mm)
 - SUPPLY: 26-1/8" (664mm)
 - MOUNTING HOLE: 24-13/16" (630mm)
 - FOUNTAIN: 24" (610mm)
 - BUBBLER: 29-7/8" (756mm)
- ADULT WHEELCHAIR HEIGHT: SEE SHT 3 FIG 2
 - WASTE: 29-1/4" (743mm)
 - SUPPLY: 29-1/8" (740mm)
 - MOUNTING HOLE: 27-13/16" (706mm)
 - FOUNTAIN: 27" (686mm)
 - BUBBLER: 32-7/8" (832mm)
- STANDING ADULT HEIGHT: SEE SHT 3 FIG 3
 - WASTE: 34-3/4" (883mm)
 - SUPPLY: 34-5/8" (879mm)
 - MOUNTING HOLE: 33-5/16" (846mm)
 - FOUNTAIN: 32-1/2" (826mm)
 - BUBBLER: 38-3/8" (972mm)

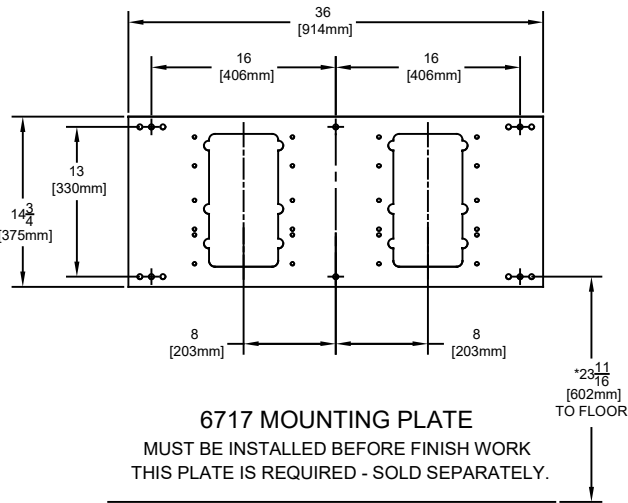
- REFER TO 1RKHO OR 2RKHO SERIES OPERATION INSTRUCTORS FOR TRANSFORMER AND SENSOR SETUP.

NOTES CONTINUED ON SHEET 3 OF 3

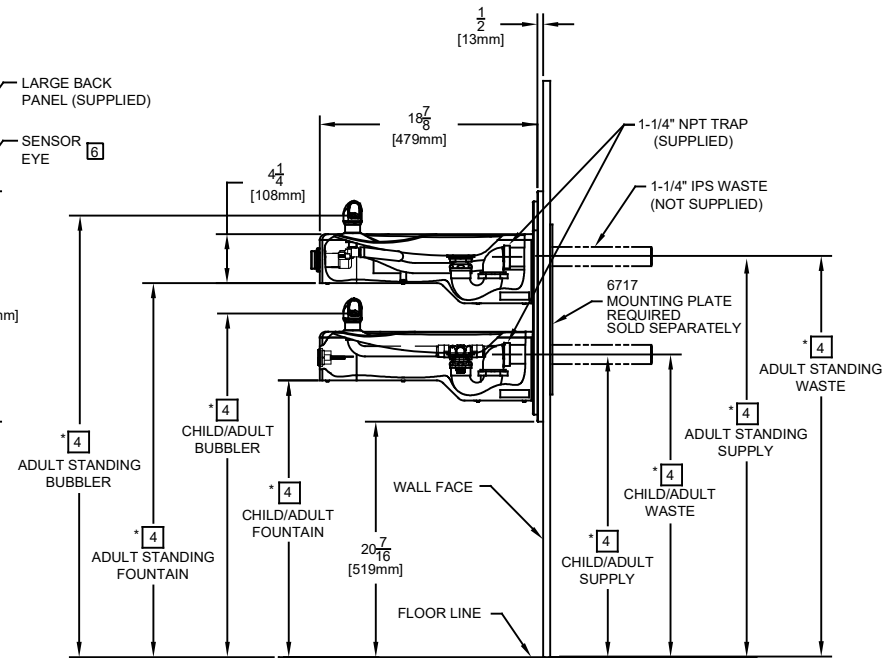
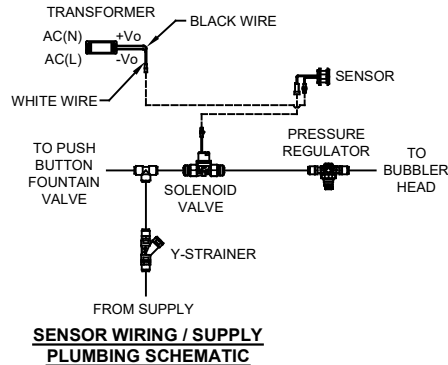


3/8" O.D. SUPPLY TUBING IS SUPPLIED. SCREWDRIVER STOP (NOT SHOWN) IS NOT SUPPLIED.

3/8" O.D. SUPPLY LINE TO TEE

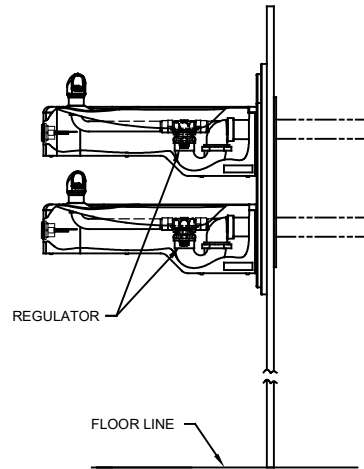
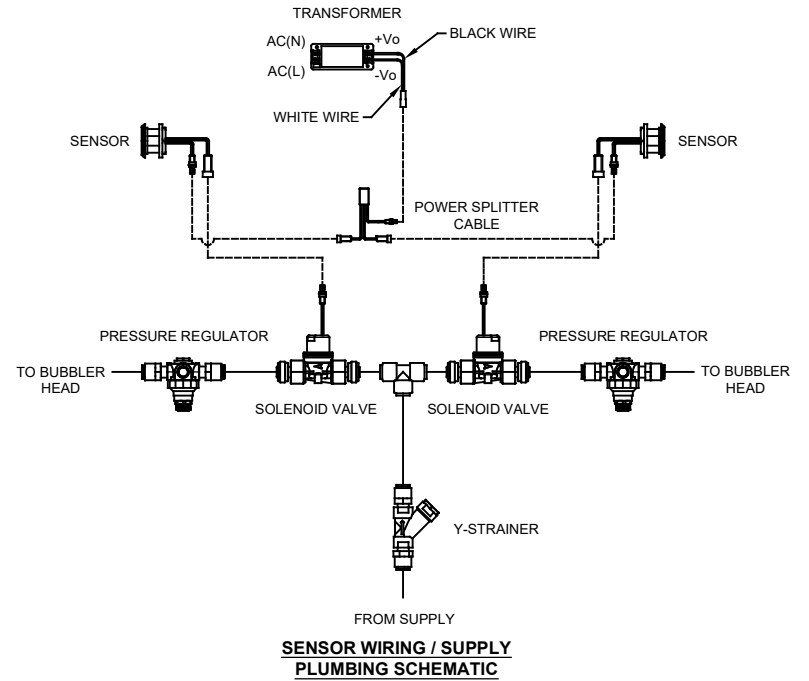
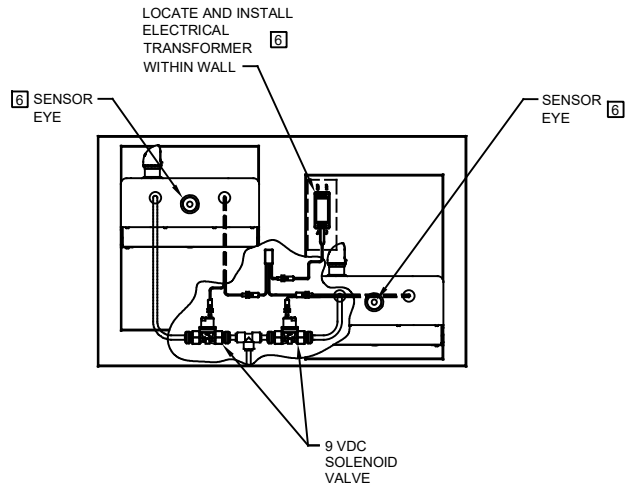
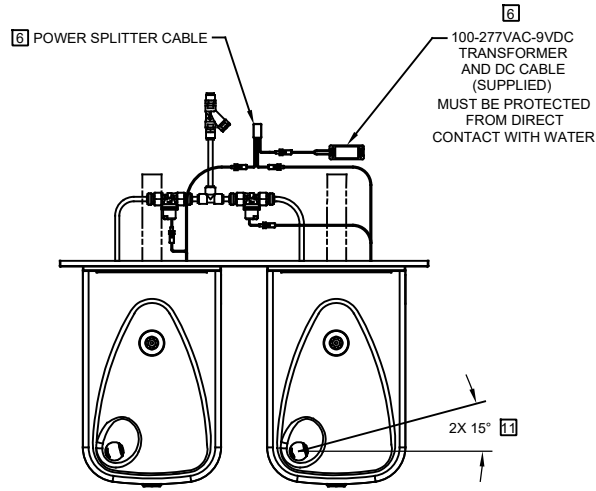


6717 MOUNTING PLATE
MUST BE INSTALLED BEFORE FINISH WORK
THIS PLATE IS REQUIRED - SOLD SEPARATELY.



MODEL 1117LHO SHOWN
MODEL 1117LHO2 ON SHEET 2
(ROUGH-IN DIMENSIONS APPLY TO BOTH MODELS)

		1455 KLEPPE LANE SPARKS, NEVADA 89431 (775) 359-4712 FAX (775) 359-7424 E-MAIL: HAWS@HAWSCO.COM WEBSITE: WWW.HAWSCO.COM	
ECN NO. 5712	REVISED PER BY: ECN: 5893 FV	MODEL(S) 1117LHO/1117LHO2	PART NUMBER 0510001209.D
DRAWN: FV	DATE: 07/21/21	CHKD.: KM	REVISION 2
APPROVED: FV	DATE: 09/06/23	SCALE: 1:2	DRAWING TYPE: INSTALLATION
		SIZE: A	SHEET 1 OF 3

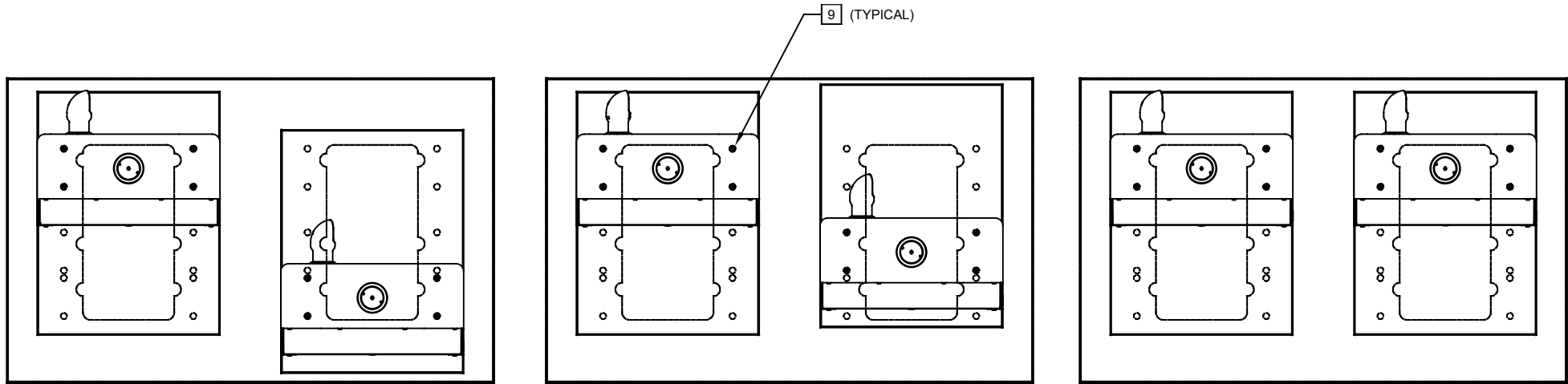


MODEL 1117LHO2 SHOWN
MODEL 1117LHO ON SHEET 1
(SEE SHEET 1 FOR APPLICABLE ROUGH-IN DIMENSIONS)

		Haws [®]		1455 KLEPPE LANE SPARKS, NEVADA 89431 (775) 359-4712 FAX (775) 359-7424 E-MAIL: HAWS@HAWSCO.COM WEBSITE: WWW.HAWSCO.COM	
				ECN NO. 5712 DRAWN: FV	REVISED PER: ECN: 5893 DATE: 07/21/21 APPROVED: FV
SCALE: 1:2		DRAWING TYPE: INSTALLATION		SIZE: A SHEET 2 OF 3	

NOTES:

- 8 FIGURES 1 AND 2 ARE REVERSIBLE. CAN BE RIGHT OR LEFT SIDE HIGH.
- 9 USE SHADED HOLES TO MOUNT AT INDICATED POSITIONS BASED ON COMBINATION SELECTED (FIGS. 1 THRU 3).
- 10 MAXIMUM ADJUSTABLE RANGE IS 15° FROM PARALLEL TO BACK WALL.
- 11. REFER TO SHEET 1 OF 3, NOTE 4, FOR INSTALLED FOUNTAIN DIMENSIONS.



8

FIGURE 1.

ADULT STANDING/CHILD WHEELCHAIR

8

FIGURE 2.

ADULT STANDING/ADULT WHEELCHAIR

FIGURE 3.

ADULT STANDING/ADULT STANDING

BOWL MOUNTING PATTERNS

		Haws [®]		1455 KLEPPE LANE SPARKS, NEVADA 89431 (775) 359-4712 FAX (775) 359-7424 E-MAIL: HAWS@HAWS.CO.COM WEBSITE: WWW.HAWS.CO.COM	
				ECN NO. 5712 DRAWN: FV APPROVED: FV	REVISED PER: ECN: 5893 DATE: 07/21/21 DATE: 09/06/23
SCALE: 1:2		DRAWING TYPE: INSTALLATION		SIZE: A SHEET 3 OF 3	