



INSTALLATION, OPERATION & MAINTENANCE INSTRUCTIONS

1455 Kleppe Lane ♦ Sparks, NV 89431-6467 ♦ (775) 359-4712 ♦ Fax (775) 359-7424
E-mail: haws@hawsco.com ♦ website: www.hawsco.com

No. 0510002018 (5)

Model 6477 Filter Mounting Kit

NOTE TO INSTALLER: Please leave this information with the Maintenance Department.

LIMITED WARRANTY

HAWS warrants that all of its products are guaranteed against defective material or poor workmanship for a period of **one year from the date of shipment**. The foregoing notwithstanding, *HAWS* warrants certain specific products or components thereof for an adjusted period. A list of these excepted products and components and a description of their respective warranty terms may be found here: www.hawsco.com/warranty. *HAWS*' liability under this warranty shall be discharged by furnishing without charge F.O.B. *HAWS* factory any goods, or part thereof, which shall appear to the Company upon inspection to be of defective material or not of first-class workmanship, provided that a claim is made in writing to Company within a reasonable period after receipt of the product. Where claims for defects are made, the defective part or parts shall be delivered to the Company, prepaid, for inspection. *HAWS* shall not be liable for the cost of repairs, alterations or replacements, or the labor required to implement them, or for any expense connected therewith made by the owner or owner's agents, except upon written authority from *HAWS*. *HAWS* shall not be liable for any damages caused by defective materials or poor workmanship, except for replacements, as provided above. Buyer agrees that *HAWS* has made no other warranties either express or implied in addition to those above stated, except that of title with respect to any of the products or equipment sold hereunder and that *HAWS* shall not be liable for general, special, incidental, or consequential damages claimed to arise under the contract of sale.

Equipment manufactured by *HAWS* is warranted to function if installation and maintenance instructions provided are adhered to. The units also must be used for the purpose for which they were intended. Any *HAWS* emergency equipment is intended to supplement first-aid treatment. Due to widely varying conditions, *HAWS* cannot guarantee that the use of this emergency equipment will prevent serious injury or the aggravation of existing or prior injuries.

EXCEPT AS EXPRESSLY STATED HEREIN, HAWS HEREBY DISCLAIMS ALL WARRANTIES, WHETHER EXPRESS OR IMPLIED, ARISING BY LAW OR OTHERWISE, INCLUDING WITHOUT LIMITATION, ANY IMPLIED WARRANTIES OF MERCHANTABILITY AND FITNESS FOR A PARTICULAR PURPOSE. THIS WARRANTY MAY NOT BE MODIFIED OR EXTENDED WITHOUT THE WRITTEN CONSENT OF HAWS. REMEDIES AND REPLACEMENTS STATED HEREIN ARE EXCLUSIVE. IN NO EVENT SHALL HAWS BE LIABLE FOR ANY SPECIAL, PUNITIVE, CONSEQUENTIAL, OR INCIDENTAL DAMAGES TO ANY PERSON INCLUDING BUT NOT LIMITED TO DAMAGES FOR LOSS OF USE OR PROFITS, SUBSTITUTE PRODUCTS OR COSTS, PROPERTY DAMAGE, OR OTHER MONETARY LOSS.

SHOULD YOU EXPERIENCE DIFFICULTY WITH THE INSTALLATION OF THIS MODEL PLEASE CALL:

TECHNICAL SUPPORT: 1-800-766-5612

FOR CUSTOMER SERVICE: 1-888-640-4297

RECOMMENDED TOOLS:

- Plastic Tubing Cutter
- Phillips Screwdriver
- Slot Head Screwdriver
- 1/4" Bit-Holding Screwdriver
- 5/32 Tamper Resistant Hex Bit

LOCATION OF UNIT: The Model 6477 Filter Mounting Kit is supplied on models 3602F, 3610F, 3611F and 3612F. It can also be retrofitted onto the following models 3602, 3610, 3611 and 3612 which may already be plumbed in the field. **ATTENTION:** The Operating Temperature Range for the Filter Assembly is 40° F - 100° F (4.4° C – 37.8° C).

WATER SUPPLY REQUIREMENTS: Do not use with water that is microbiologically unsafe or of unknown quality without adequate disinfection before or after the system.

SUPPLY LINE: The minimum recommended line size is 1/2"IPS with 40-90 psi (2.76-6 ATM) flowing pressure. The Model 6477 includes all necessary components (Filter assembly, brackets, mounting hardware, etc. for either a new or retrofit installation).

PLUMBING CONNECTIONS: Water supply inlet connection is a 3/8" O.D. push-in type fitting. Filter outlet connection is a 3/8" O.D. push-in type fitting. Please consult the installation procedure and installation drawings below, for assembly on either a new or retrofit installation.

MAINTENANCE: Filter replacement to occur at 1 year maximum or 3,000 gallons maximum, whichever comes first. Replace Filter per instructions listed below under Filter Replacement.

INSTALLATION PROCEDURE

GENERAL NOTES:

1. For all push-in type fitting connections, only connect NSF-61 copper or plastic 3/8" outside diameter tubing. The following assembly instructions must be followed to ensure a watertight connection:

- a. Cut tubing square and clean. Deburr if necessary.
- b. Mark from end of tube the length of insertion (See table below)
- c. Push tube into the fitting until it bottoms out.

Tube Sizes	O.D. Tolerance	Insertion Depth
3/8"	±.005"	3/4"

- d. To remove, depress collet and pull tubing out.

A. INSTALLATION AND START-UP

1. New or Retrofit Installation: See installation drawings (pages 6 & 7) for installing filter mounting kit on either a new installation or retrofitting an existing installation (installation process is the same as there is no interference with the drain piping).
2. Once both mounting brackets, filter head and 3/8" O.D. elbows have been installed per instructions outlined on page 6 of the installation drawing, connect the filter cartridge as follows:
 - a. Install the new filter by pushing up and turning counterclockwise (as viewed from above). Notice keyed tabs (2 & 3 segments) on filter which should coincide with matching segments on bottom of filter head.
 - b. Connect the water inlet line from filter to the water stop valve and the water outlet line to the valve supply fitting present on your unit (Note: If connecting to SST compression fitting on a unit being retrofitted, use a 3/8" SST Tubing Insert (Haws pn 0003138617.3 – not supplied). Ensure tubing is fully inserted into connection points until it bottoms out).
3. Open the water supply and check the system for leaks.
4. Place a cup over the bubbler head or under the nozzle on a bottle filler if either one is present on your unit (to minimize splattering) and push the corresponding front button to activate the bubbler flow. Keep the button depressed until all air is purged out of the water line(s). Repeat as needed depending on model (dual/triple).
5. **NOTE: Run the bubbler or bottle filler for 10 minutes in order to properly flush the new filter.**
6. Discard supplied 3" PVC pipe and both 45-degree PVC elbows. These parts are not required for installation of 6477 kit when using the supplied 3000-gallon filter.

B. FILTER REPLACEMENT (at 1 year or 3,000 gallons (max.), whichever comes first).

1. Optional: Turn the water supply stop valve to the off position and bleed pressure from the unit by operating the bottle filler or bubbler head (whichever is present). This will improve the ease of replacing the filter.
2. Remove the old filter by turning about ¼ turn clockwise (as viewed from above) and pulling down.
 - a. **NOTE:** There is no need to shut off the supply valve, as the filter head has a built-in valve. If you are planning to leave the unit without a filter cartridge for a protracted period of time, shut off the supply valve.
3. Follow the same procedures shown on steps 4 & 5 above, to purge air in supply lines and flush the replacement filter.

C. OPTIONAL CUSTOMER-PROVIDED FILTER INSTALLATION

1. For optional customer-provided filter only: Use supplied 3" PVC pipe and both 45-degree PVC elbows to relocate (offset) drain plumbing as shown on page 8 of the installation drawing.
2. For optional customer-provided filter only: Secure customer-provided filter head to supplied mounting plate. Install mounting plate assembly to pedestal. Reference page 8 of the installation drawing for assembly instructions.
 - a. 3000-gallon filter, filter head, filter mounting bracket, and 4X Phillips-head #10 X 12mm thread-cutting screws are not required for optional customer-provided filter installation.

TROUBLESHOOTING	
PROBLEM	REPAIR CHECKLIST
Insufficient bubbler flow (From Drinking Fountain)	<ol style="list-style-type: none"> 1a. Verify minimum 40 psi flowing supply pressure. b. Check that inlet screwdriver stop valve is wide open. Clean inlet strainer or adjust valve on push button (located on Drinking Fountain) to increase flow. See 5874 Series Valve Manual*. c. Check water filter. Replace at 1 year or 3,000 gallons (max.), whichever comes first.
Insufficient bottle filler flow	<ol style="list-style-type: none"> 2a. Verify minimum 40 psi flowing supply pressure. b. Nozzle strainer is clogged. Use nozzle removal tool to remove strainer and replace. Replacement strainers may be ordered by calling Customer Service. c. Check that inlet screwdriver stop valve is wide open. Clean inlet strainer or adjust valve on push button (located on Bottle Filler) to increase flow. See 5874 Series Valve Manual*. d. Check water filter. Replace at 1 year or 3,000 gallons (max.), whichever comes first.

*For more information about Haws products, see our website: www.hawSCO.com

PERFORMANCE DATA SHEET

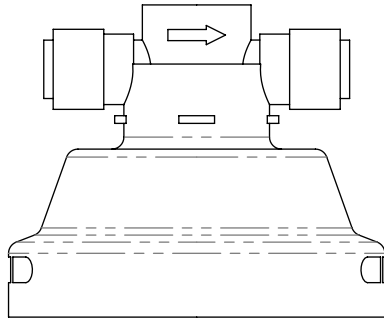
IMPORTANT NOTICE: Read this Performance Data Sheet and compare the capabilities of this unit with your actual water treatment needs. It is recommended that, before purchasing a water treatment unit, you have your water supply tested to determine your actual water treatment needs.

Substance	Influent Challenge Concentration	Maximum Permissible Product Water Concentration mg / L or Reduction Requirement	Average Percent Reduction
Chlorine, Taste and Odor	2.0 mg/L \pm 10%	\geq 50%	>97.3%
Cyst Reduction	Minimum 50,000/L	99.95%	>99.99%
Lead 6.5 pH Reduction	0.15 mg/L \pm 10%	0.010 mg/L	>99.7%
Lead 8.5 pH Reduction	0.15 mg/L \pm 10%	0.010 mg/L	>99.7%

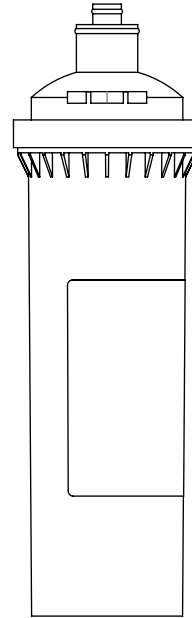
This filter has been tested according to NSF/ANSI 42/53 for the reduction of the substances listed. The concentration of the indicated substances in water entering the system was reduced to a concentration less than or equal to the permissible limit for water leaving the system, as specified in NSF/ANSI 42/53.

Testing was performed under standard laboratory conditions. The contaminants or other substances removed or reduced by this water treatment device are not necessarily in all users' water. Filter performance may vary based on local water conditions.

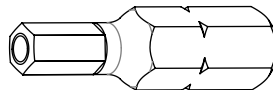
REPLACEMENT PARTS



**0110000786
FILTER HEAD**



**6428
FILTER
(FILTER REORDER
MODEL)**



**0510001030
HEX BIT,
PINNED, 5/32"
(NOT SUPPLIED)**

**6477
FILTER MOUNTING KIT**

PARTS BREAKDOWN

			1455 KLEPPE LANE SPARKS, NEVADA 89431 (775) 359-4712 FAX (775) 359-7424 E-MAIL: HAWS@HAWS.CO.COM WEBSITE: WWW.HAWS.CO.COM		
ECN: 5719	REV. ECN: 6125	BY: FV	MODEL(S)	PART NUMBER	0510002018
DRAWN: JL	DATE: 01/09/17	CHKD: JC	6477	REVISION	5
APPROVED: FV	DATE: 10/22/24	SCALE: 1:2	DRAWING TYPE: PARTS BREAKDOWN	SIZE: A	SHEET 1 OF 1

WHEN ORDERING PARTS, PLEASE
SPECIFY PART NUMBER

INSTALLATION INSTRUCTIONS FOR 3000 GALLON FILTER

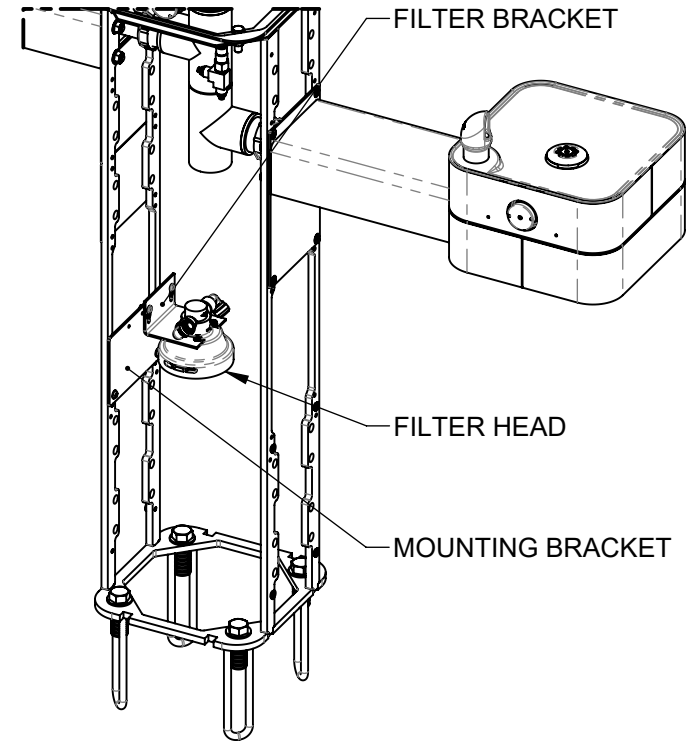
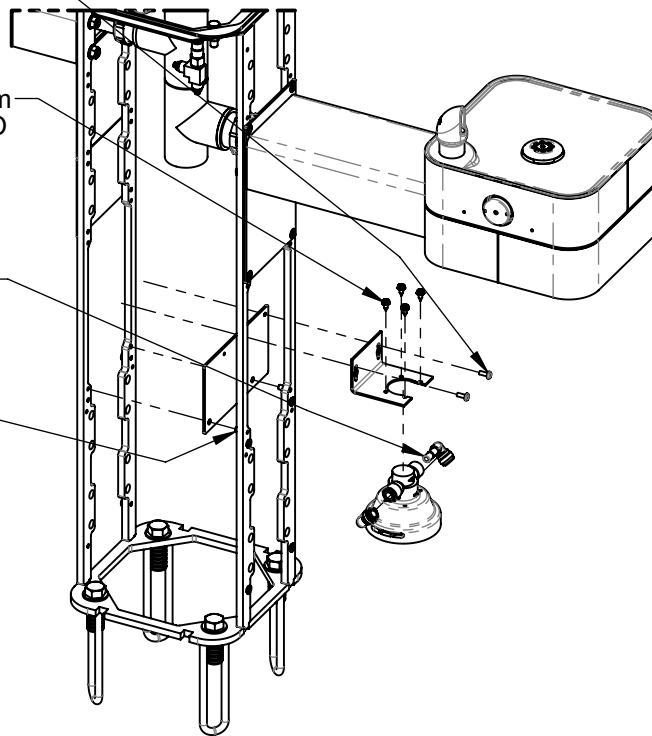
STEP 1: USE 2X SLOT-HEAD 10-32 X 1/2 SCREWS (SUPPLIED) TO SECURE FILTER BRACKET TO THREADED HOLES ON MOUNTING BRACKET (SUPPLIED).

STEP 2: USE 4X PHILLIPS-HEAD #10 X 12mm THREAD-CUTTING SCREWS (SUPPLIED) TO SECURE FILTER HEAD TO FILTER BRACKET. ORIENT DIRECTION OF FLOW ARROW TOWARDS FRONT OF PEDESTAL.

STEP 3: INSERT 2X 3/8" PUSH-CONNECT ELBOW FITTINGS (SUPPLIED) INTO FILTER HEAD (SUPPLIED). INSERT FULLY.

STEP 4: USE 2X TAMPER-RESISTANT 1/4-20 X 5/16 SCREWS (SUPPLIED) TO SECURE MOUNTING BRACKET SUB-ASSEMBLY (STEPS 1 - 3) TO PEDESTAL. USE THREADED HOLES SHOWN.

REFERENCE COMPLETE 6477 FILTER BRACKET MOUNTING ASSEMBLY (SHOWN ON SHEET 2) FOR FINISHED INSTALLATION AS RETROFITTED ON AN EXISTING CUSTOMER UNIT OR A NEW INSTALLATION.



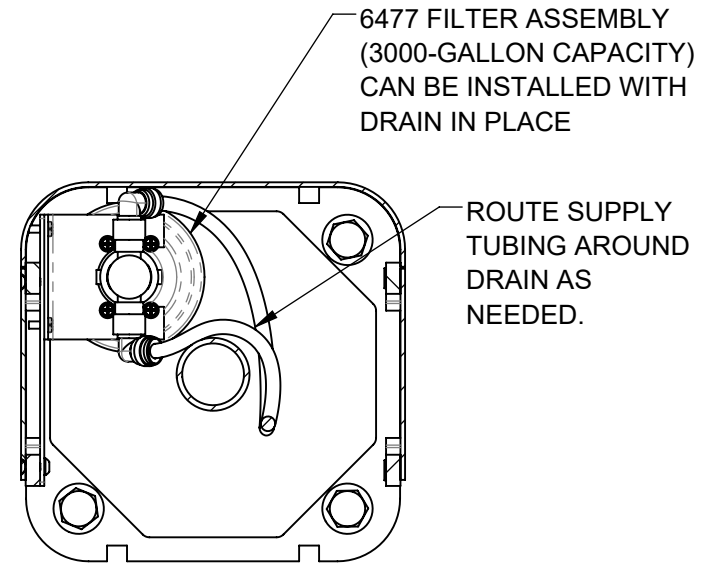
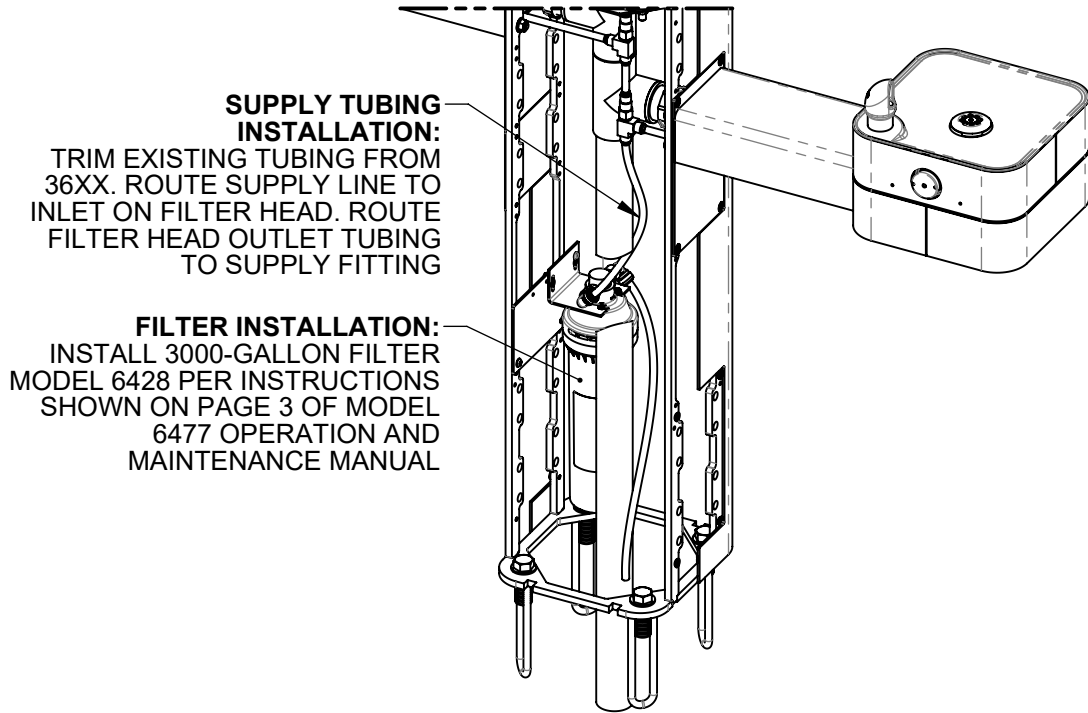
6477 FILTER BRACKET MOUNTING INSTRUCTIONS
(PEDESTAL SIDES, DRAIN HIDDEN FOR CLARITY)

6477 FILTER HEAD/BRACKET MOUNTING (ASSEMBLED)
(PEDESTAL SIDES, DRAIN HIDDEN FOR CLARITY)

NOTES:

1. FOR NEW INSTALLATIONS USING BASE MODEL "F" SERIES UNITS (3612F SHOWN FOR REF. ONLY) - 6477 FILTER AND MOUNTING HARDWARE CAN BE INSTALLED BEFORE OR AFTER DRAIN INSTALLATION.
2. FOR RETROFIT INSTALLATIONS ON EXISTING UNITS (MODELS 3602, 3610, 3611 OR 3612) - 6477 FILTER AND MOUNTING HARDWARE CAN BE INSTALLED WITHOUT CHANGING EXISTING DRAIN PIPE. SEE SHEET 2 FOR DETAILS.
3. THIS FILTER KIT (3000-GALLON CAPACITY) IS TO BE USED ON NEW INSTALLATIONS WITH MODELS 3602F, 3610F, 3611F AND 3612F, AS WELL AS FOR RETROFITTING EXISTING MODELS 3602, 3610, 3611 AND 3612. **NOTE: SEE SHEET 3 FOR OPTIONAL OWNER-PROVIDED FILTER INSTALLATION INSTRUCTIONS.**


Haws Since 1906			1455 KLEPPE LANE SPARKS, NEVADA 89431 (775) 359-4712 FAX (775) 359-7424 E-MAIL: HAWS@HAWS.CO.COM WEBSITE: WWW.HAWS.CO.COM	
ECN: 5719	REV. ECN: 6125	BY: FV	MODEL(S) 6477	PART NUMBER 0510002018.D
DRAWN: BJM	DATE: 09/09/21	CHKD: JC		REVISION 5
APPROVED: FV	DATE: 10/22/24	SCALE: 1:10	DRAWING TYPE: INSTALLATION	SIZE: A SHEET 1 OF 3



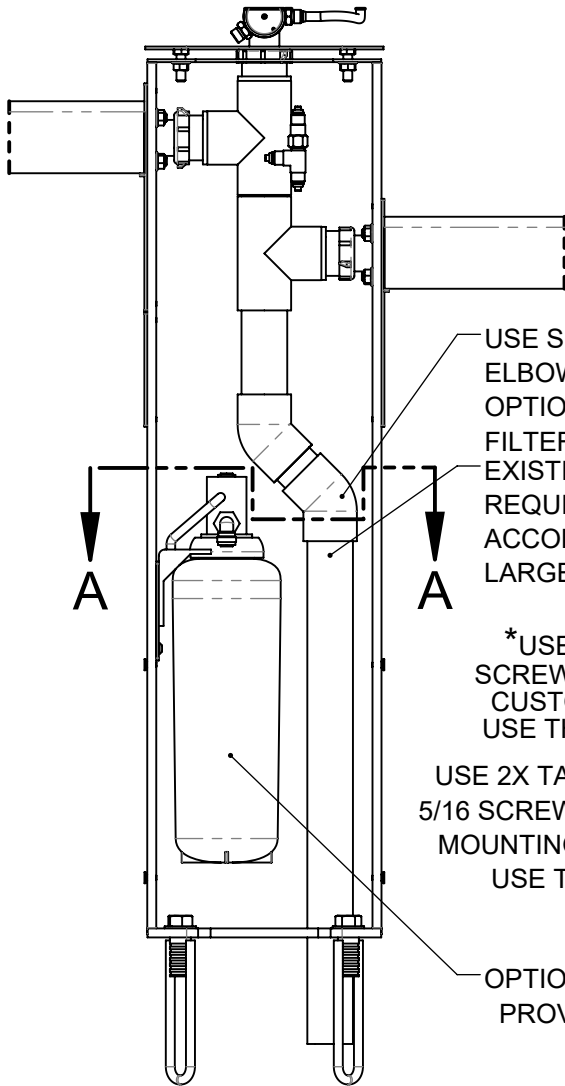
6477 FILTER AND SUPPLY LINE
INTERNAL TOP-DOWN PEDESTAL VIEW
SCALE 1:8

6477 FILTER AND SUPPLY LINE INSTRUCTIONS
PEDESTAL SIDES HIDDEN FOR CLARITY

6477 FILTER MOUNTING KIT SHOWN ON MODEL 3612/3612F FOR REFERENCE (ONLY). INSTALLATION INSTRUCTIONS APPLY TO EITHER NEW OR RETROFIT APPLICATIONS USING THE SUPPLIED 3000-GALLON CAPACITY FILTER SHOWN (THE SUPPLIED 1-1/2" X 3" PVC PIPE AND 45° PVC ELBOWS (QTY. 2) ARE NOT REQUIRED FOR THIS SPECIFIC APPLICATION). NOTE: SEE SHEET 3 FOR OPTIONAL OWNER-PROVIDED FILTER INSTALLATION INSTRUCTIONS.

 Haws Since 1906		1455 KLEPPE LANE SPARKS, NEVADA 89431 (775) 359-4712 FAX (775) 359-7424 E-MAIL: HAWS@HAWSO.COM WEBSITE: WWW.HAWSO.COM	
		ECN: 5719 REV. EGN: 6125 BY: FV DRAWN: BJM DATE: 09/09/21 APPROVED: FV DATE: 10/22/24	MODEL(S) 6477
SCALE: 1:10		DRAWING TYPE: INSTALLATION	
SIZE: A		SHEET 2 OF 3	

OPTIONAL OWNER-PROVIDED FILTER INSTALLATION

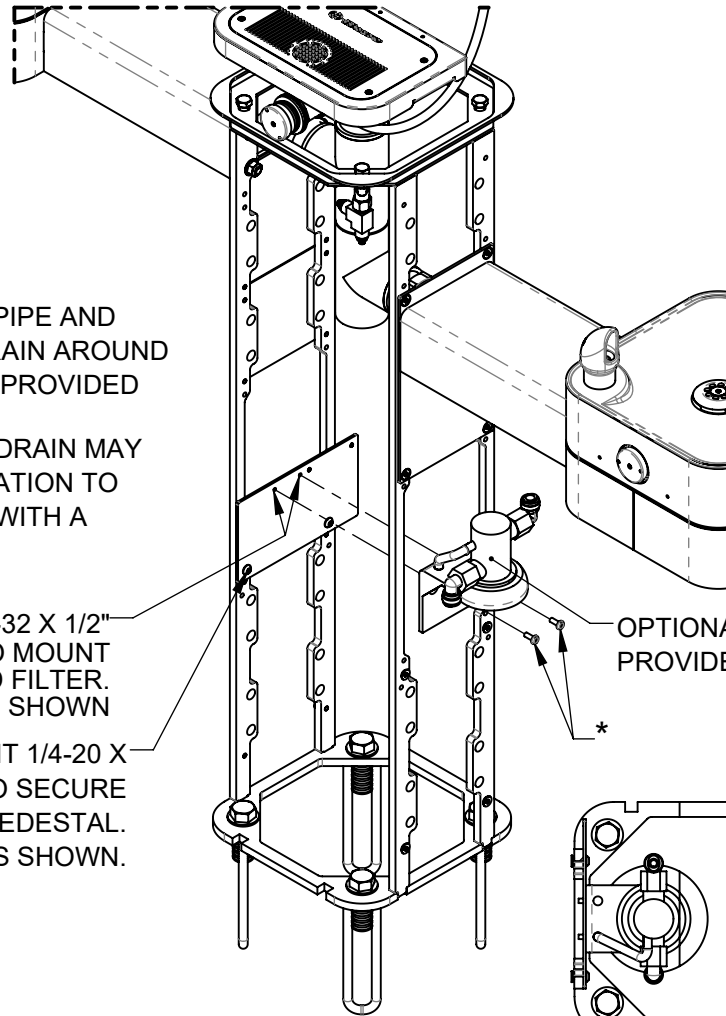


USE SUPPLIED 3" PVC PIPE AND ELBOWS TO ROUTE DRAIN AROUND OPTIONAL CUSTOMER-PROVIDED FILTER.
 EXISTING DRAIN PIPE. DRAIN MAY REQUIRE OFFSET LOCATION TO ACCOMODATE FILTER WITH A LARGER DIAMETER.

*USE 2X SLOTTED 10-32 X 1/2" SCREWS (SUPPLIED) TO MOUNT CUSTOMER-PROVIDED FILTER. USE THREADED HOLES SHOWN

USE 2X TAMPER-RESISTANT 1/4-20 X 5/16 SCREWS (SUPPLIED) TO SECURE MOUNTING BRACKET TO PEDESTAL. USE THREADED HOLES SHOWN.

OPTIONAL OWNER-PROVIDED FILTER




OPTIONAL OWNER-PROVIDED FILTER HEAD

DRAIN OFFSET 2" TO ACCOMMODATE LARGER FILTER MAY BE REQUIRED. CHECK FOR FILTER CLEARANCES BASED ON THE OPTIONAL FILTER YOU PROVIDE, PRIOR TO SETTING DRAIN & ANCHORS.

ALTERNATE DRAIN LOCATION FOR CUSTOMER SUPPLIED OPTIONAL FILTER SECTION A-A

INSTRUCTIONS FOR OPTIONAL OWNER-PROVIDED FILTER.
NOTE: MOUNTING BRACKET, 1-1/2" X 3" PVC PIPE AND 45° PVC ELBOWS (QTY. 2) SUPPLIED WITH 6477 FILTER MOUNTING KIT ARE REQUIRED (SHOWN ON MODEL 3612/3612F FOR REFERENCE ONLY).
INSTALLATION INSTRUCTIONS APPLY TO EITHER NEW OR RETROFIT APPLICATIONS. SEE SHEETS 1 AND 2 FOR STANDARD FILTER (3000-GALLON CAPACITY) INSTALLATION INSTRUCTIONS.

 Haws Since 1906		1455 KLEPPE LANE SPARKS, NEVADA 89431 (775) 359-4712 FAX (775) 359-7424 E-MAIL: HAWS@HAWS.CO.COM WEBSITE: WWW.HAWS.CO.COM	
		ECN: 5719 REV. ECN: 6125 BY: FV DATE: 09/09/21 CHKD: JC	MODEL(S) 6477
APPROVED: FV DATE: 10/22/24	SCALE: 1:24 DRAWING TYPE: INSTALLATION	SIZE: A SHEET 3 OF 3	