

FEATURES & BENEFITS

CONSTRUCTION

Heavy-duty cast iron bowl with a glossy white enamel finish is designed for the toughest of applications, and at the same time is gentle to all users with its soft rounded corners. Unit also ships with vandal-resistant bottom plates to provide added peace of mind.

BUBBLER HEADS

Polished chrome-plated brass bubbler heads with integral 11/16" dia. basin shank and stainless anti-rotation roll pin for vandal resistance strength. Shielded, angled stream opening provides a steady, sanitary source of drinking water at .45 gpm.

FOUNTAIN VALVES

Fountain incorporates touchless sensor operated stainless steel solenoid valves controlled by a transformer for hands-free operation. A pressure regulator is used to adjust the bubbler flow according to incoming water pressures.

VANDAL RESISTANT

The bubbler heads, drain strainer and bottom plate are locked in place, discouraging unwanted vandal tampering.

INTEGRATED TRAP

All cast brass 1-1/4" NPT adjustable traps completely concealed inside bottom plates for easy installation and lack of unwanted access.

OPTIONS

- Bottle Filler: Model 1920WHO, touchless bottle filler can be a stand-alone station, or mounted above Haws 1430 series touchless drinking fountain models.
- Remote Drinking Fountain Water chiller: Model HCR8, 8 gph (30.3 L) remote water chiller provides instantaneous cooling to meet a continuous demand for chilled water.

For more information, visit www.hawsco.com or call (888) 640-4297.



SPECIFICATIONS

Model 1430HO vandal-resistant wall mounted motion activated drinking fountain shall include a white enameled-iron basin mounted with twin galvanized cast-iron wall brackets, touchless sensor operated stainless steel solenoid valves with 30-second obstruction time-out controlled by a transformer, 100% lead-free waterways, dual polished chrome plated brass vandal-resistant bubbler heads, polished chrome plated brass vandal-resistant waste strainer, vandal-resistant bottom plate, and chrome-plated 1-1/2" NPT trap.

FOR INDOOR USE ONLY

APPLICATIONS

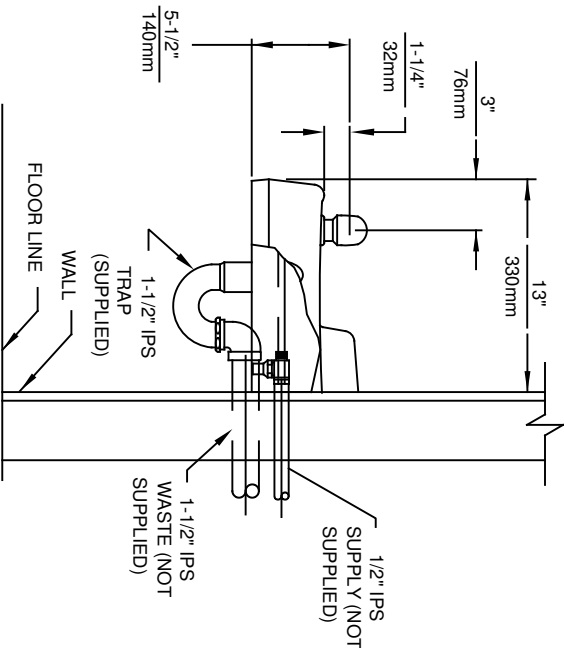
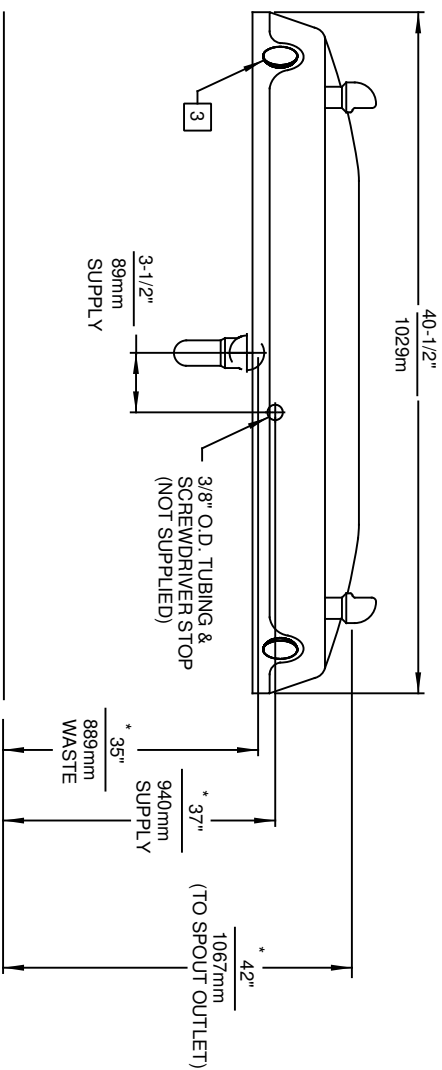
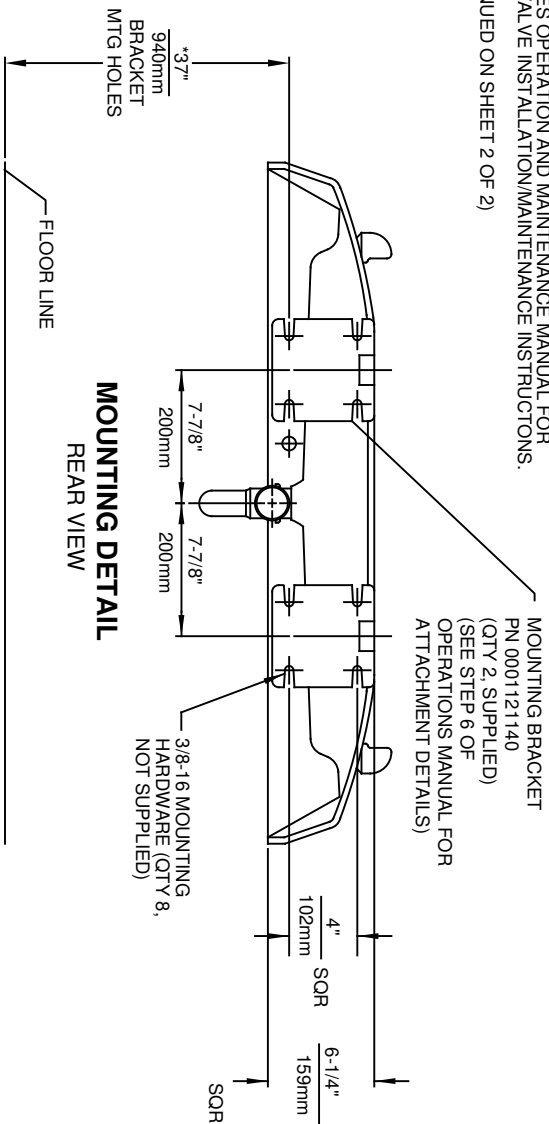
Perfect for either public or private settings, our gleaming white enameled-iron series is one of the sturdiest wall mounted fountains Haws produces. This unit is the perfect fit for high traffic areas where there is a greater need for multiple drinking stations. Elegant gloss finish and color consistency throughout the enameled-iron maintain the fountains overall appeal so it always remains looking as new as it did when it was installed. Specifically, this type of wall mounted drinking fountain may be placed in settings such as: parks, schools, and other indoor/outdoor environments where the temperature remains above freezing. Haws manufactures drinking fountains, faucets and electric water coolers to be lead-free by all known definitions including NSF/ANSI/CAN 61- Section 9, NSF/ANSI/CAN 372, California Proposition 65, and the Federal Safe Drinking Water Act. Product is compliant to California Health and Safety Code 116875 (AB 1953-2006), and 116876 (AB 100) "NSF/ANSI/CAN 61: Q ≤ 1".



NOTES:

1. ROUGH-IN DIMENSIONS MAY VARY ±1/4" (6.4mm).
2. WHEN INSTALLING THIS UNIT LOCAL, STATE OR FEDERAL CODES SHOULD BE ADHERED TO. FOR INSTALLATION HEIGHTS OTHER THAN SHOWN, DIMENSIONS MARKED (*) MUST BE ADJUSTED ACCORDINGLY.
3. REFER TO 5874 SERIES OPERATION AND MAINTENANCE MANUAL FOR PUSH BUTTON AND VALVE INSTALLATION/MAINTENANCE INSTRUCTIONS.

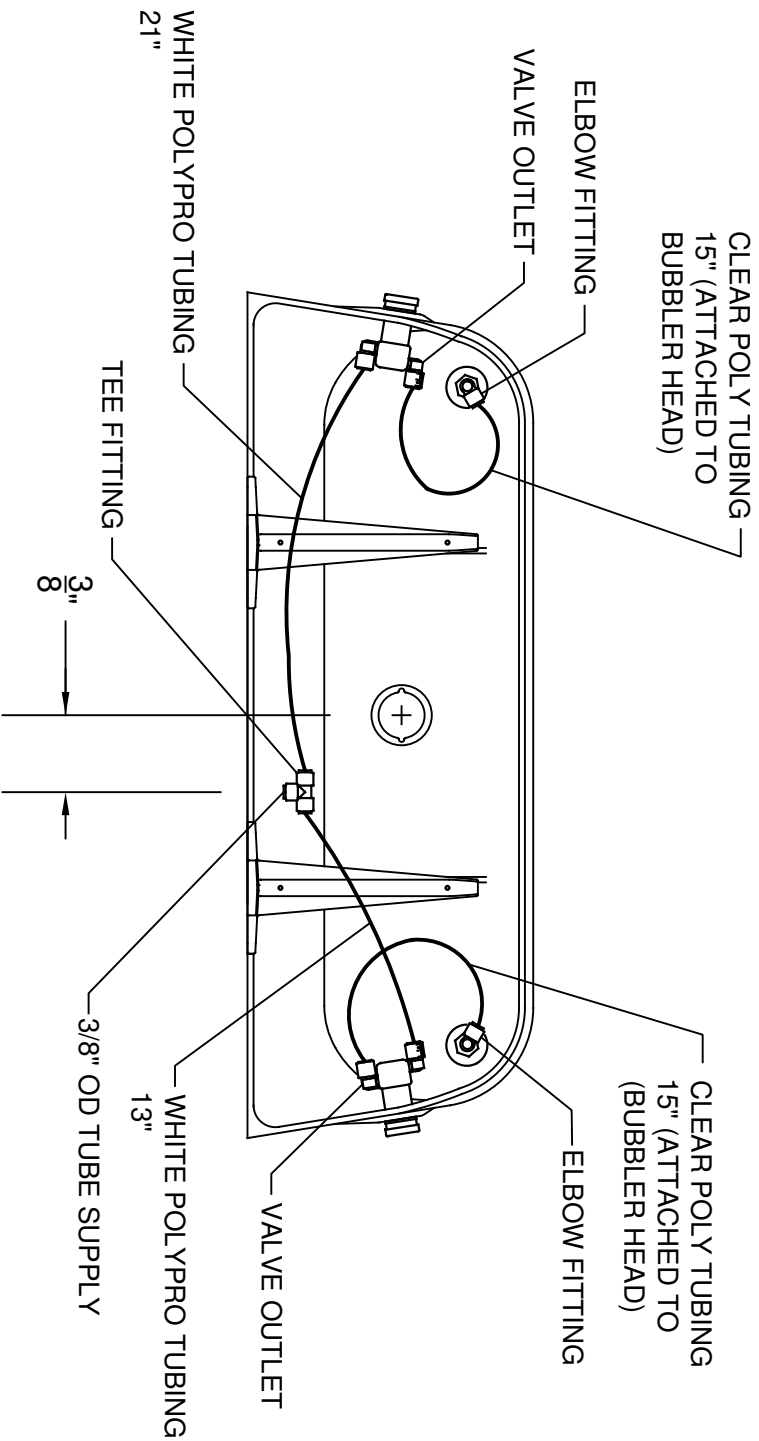
(NOTES CONTINUED ON SHEET 2 OF 2)



		HAWWS	
1459 KLEPPE LANE SPARKS, NEVADA, 89431 (775) 359-4712 FAX (775) 359-7424 E-MAIL: HAWWS@HAWSCO.COM WEBSITE: WWW.HAWSCO.COM		MODEL(S) TWO BUBBLER FOUNTAIN	
ECN NO. REVISED PER BY: ECN: 5188 JP	DATE: CHKD: 11-01-91 VWC	1430	PART NUMBER 0002076850.D
APPROVED: EV	DATE: 07/08/17	SCALE: 1:11	REVISION: 18
DRAWING TYPE: INSTALLATION		SIZE: A	SHEET: 1 OF 2

NOTES: (CONTINUED)

4. CONNECT WHITE "POLYPROPYLENE" TUBING ON PRESSURE SIDE (INLET) OF VALVE.
5. CONNECT CLEAR "POLYETHYLENE" TUBING ON FREE FLOW SIDE (VALVE TO BUBBLER HEAD) ONLY.



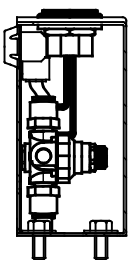
TUBING ROUTING DETAIL
BOTTOM VIEW

		HAWWS	
1459 KLEPPE LANE SPARKS, NEVADA, 89431 (775) 359-4712 FAX (775) 359-7424 E-MAIL: HAWWS@HAWSCO.COM WEBSITE: WWW.HAWSCO.COM		1430 TWO BUBBLER FOUNTAIN	
ECN NO. REVISED PER BY:	MODEL(S)	DATE:	CHK'D:
11-01-91	JP	11-01-91	VWG
DATE:	SCALE:	DRAWING TYPE:	INSTALLATION:
07/06/17	1:1		
DATE:	SIZE:	SHEET:	OF:
	A	2	2
DATE:	REVISION:		
	18		
DATE:	PART NUMBER:		
	0002076850.D		

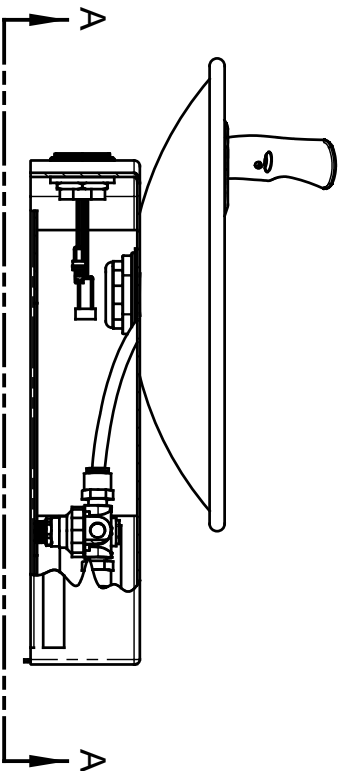
NOTES:

- 2RKHO.P AND 2RKHO.H RETROFIT KITS ALLOW INDOOR FOUNTAINS TO BE CONVERTED FROM A HAWS 5874 PUSH BUTTON VALVE TO HANDS-OFF (TOUCHLESS) OPERATION. FOUNTAINS (NOT SUPPLIED) MAY BE MOUNTED ON THE EXTERNAL WALL OF A BUILDING PROVIDED THE TRANSFORMER SHALL BE MOUNTED INSIDE THE WALL AND PROTECTED FROM WATER AS SHOWN IN THIS INSTALLATION PER NEC/CEC AND LOCAL CODE. AVOID DIRECT CONTACT WITH SUNLIGHT ON THE SENSOR LENS.
- RETROFIT KIT MODEL:
2RKHO.P: INDOOR HO RETRO-FIT KIT (INCLUDES 2X HO SENSOR WITH MOUNTING HARDWARE, 2X SOLENOID VALVE, 2X REGULATOR, WIRE SPLITTER, AND 100-240V PLUG-IN TRANSFORMER - SEE SHEET 2).
2RKHO.H: INDOOR HO RETRO-FIT KIT (INCLUDES 2X HO SENSOR WITH MOUNTING HARDWARE, 2X SOLENOID VALVE, 2X REGULATOR, WIRE SPLITTER, AND 100-277V HARDWIRE TRANSFORMER - SEE SHEET 3).
- 2RKHO.P REQUIRES 100-240VAC POWER CONNECTION. 2RKHO.H REQUIRES 100-277V POWER CONNECTION.
- TRANSFORMERS MUST BE MOUNTED SUCH THAT THEY ARE PROTECTED FROM WATER.
- 2RKHO.P TRANSFORMER IS COMPATIBLE WITH TYPE A AND TYPE B NORTH AMERICAN ELECTRICAL OUTLETS. FOR OTHER RECEPTACLE TYPES, AN ADAPTER (NOT SUPPLIED) MUST BE PROVIDED BY OTHERS.

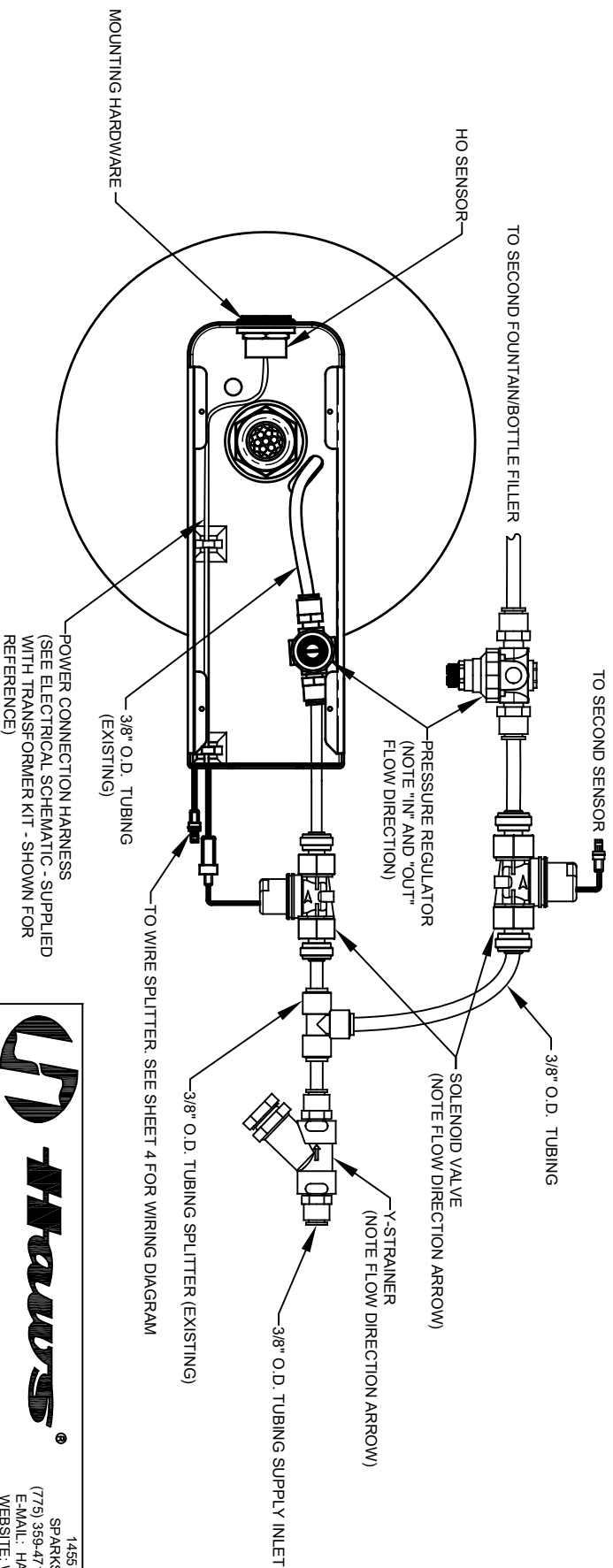
(NOTES CONTINUED ON SHEET 4)



EXAMPLE 1920 BOTTLE FILLER INSTALLATION



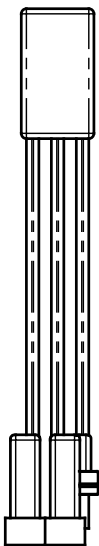
EXAMPLE 1011 FOUNTAIN INSTALLATION



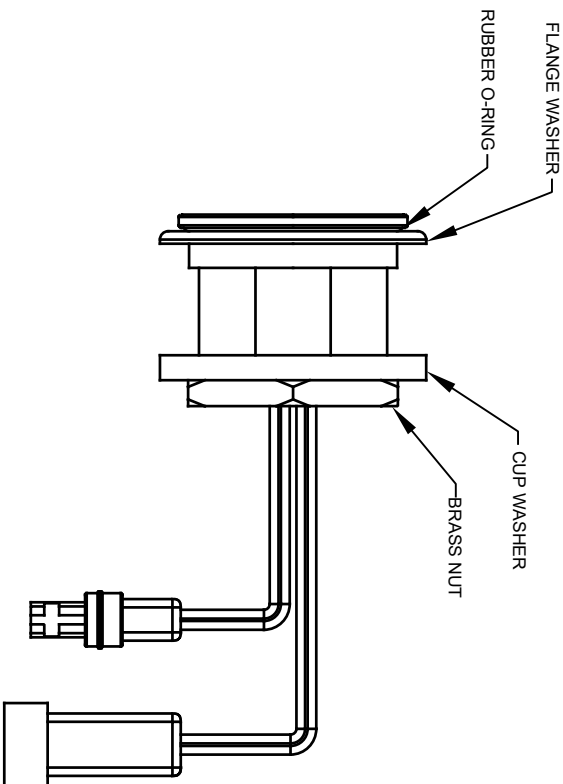
VIEW A - A

(BOTTOM PLATE OMITTED FOR CLARITY)

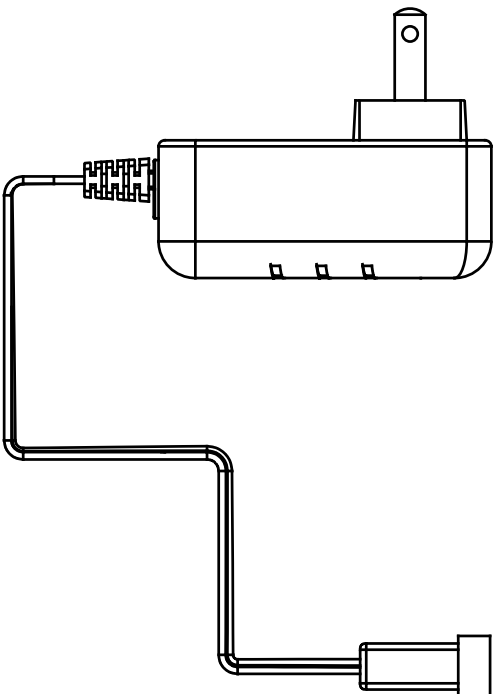
		MODEL(S)		2RKHO.P / 2RKHO.H	
1456 KLEPPE LANE SPARKS, NEVADA, 89431 (775) 359-4712 FAX (775) 359-7424 E-MAIL: HAWS@HAWSCO.COM WEBSITE: WWW.HAWSCO.COM		DUAL HANDS-OFF RETRO-FIT KIT		PART NUMBER 0580001156.D	
ECN NO. REVISED PER BY:	5849	ECN. 5749	BJM	DATE:	02/10/21
APPROVED:	BJM	DATE:	10/28/21	SCALE:	N/A
DRAWN:	BJM	CHK'D:	FV	DRAWING TYPE:	INSTALLATION
SIZE:	A	SHEET:	1	OF:	4



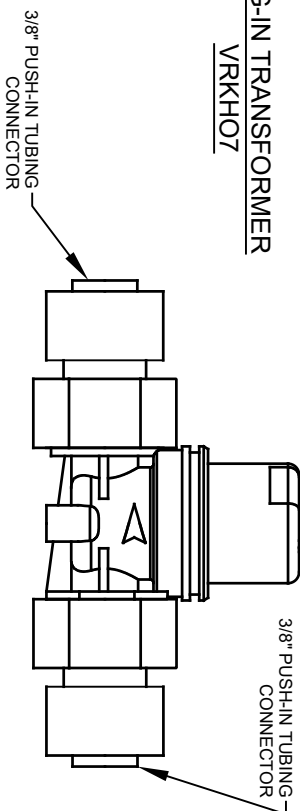
DUAL POWER SPLITTER



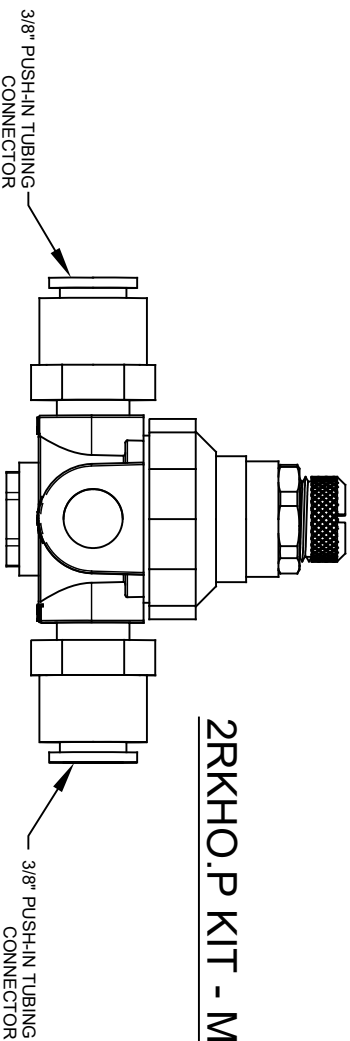
HO SENSOR ASSEMBLY (2X)
VRKH06



PLUG-IN TRANSFORMER
VRKH07

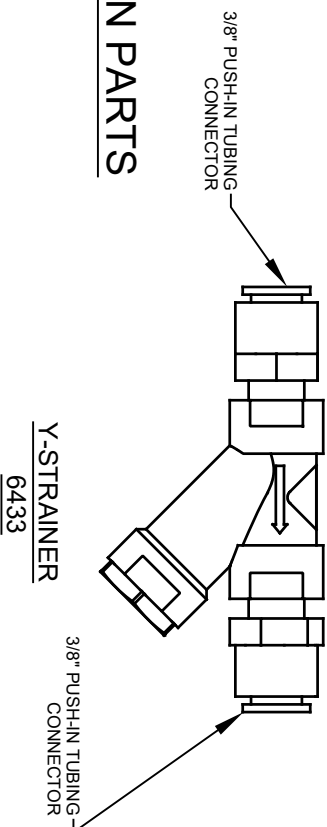


SOLENOID VALVE ASSEMBLY (2X)
VRKH05



VALVE REGULATOR (2X)
5867

2RKHO.P KIT - MAIN PARTS



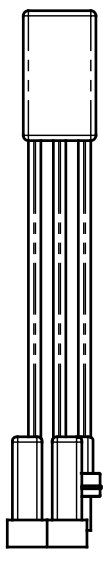
Y-STRAINER
6433



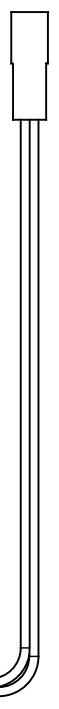
Haws

1459 KLEPPE LANE
SPARKS, NEVADA 89431
(775) 359-4712 FAX (775) 359-7424
E-MAIL: HAWS@HAWS.CO.COM
WEBSITE: WWW.HAWS.CO.COM

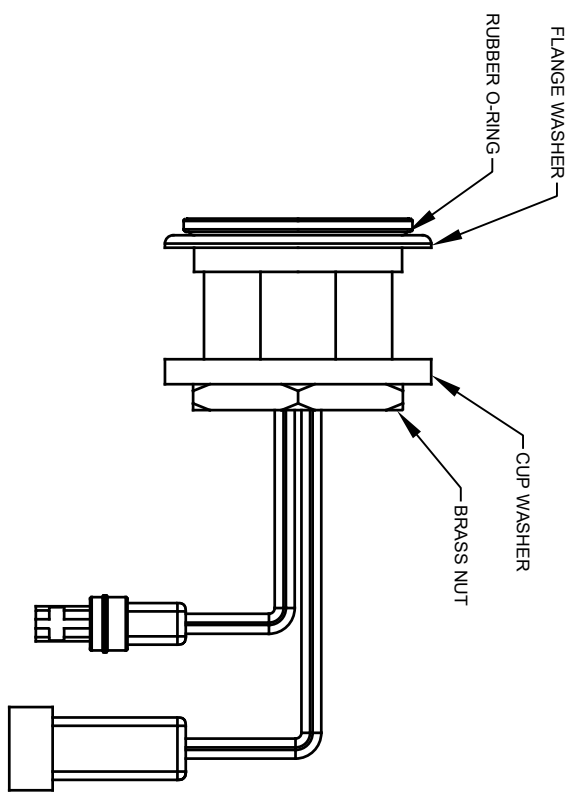
ECN NO. REVISED PER BY:	MODEL(S)
5849 5849	2RKHO.P / 2RKHO.H
DATE: 02/10/21	DUAL HANDS-OFF RETRO-FIT KIT
CHK'D: BLM	
DATE: 10/28/21	
APPROVED: BLM	SCALE: N/A
	DRAWING TYPE: INSTALLATION
	SIZE: A
	SHEET: 2 OF 4
PART NUMBER	REVISION
0580001156.D	4



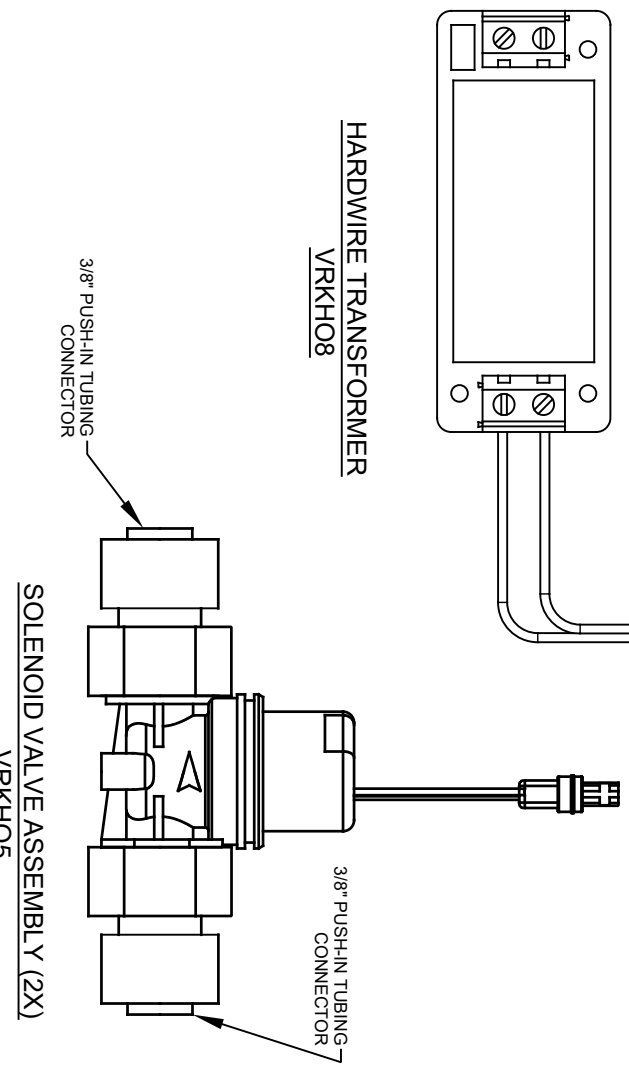
DUAL POWER SPLITTER



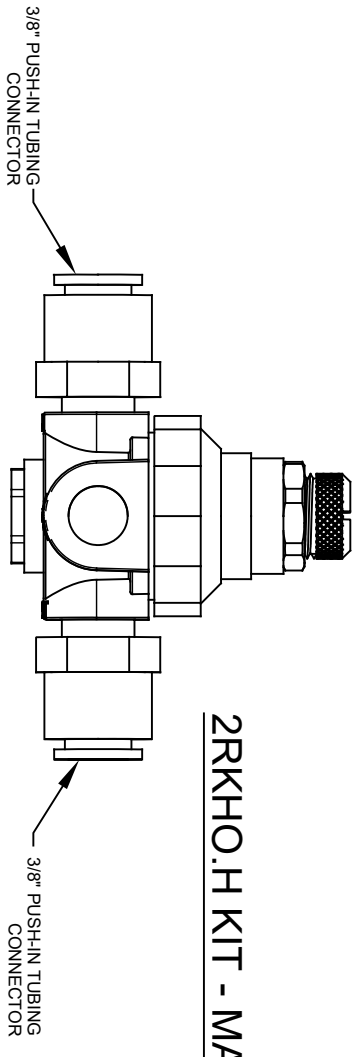
HARDWARE TRANSFORMER
VRKH08



SOLENOID VALVE ASSEMBLY (2X)
VRKH05

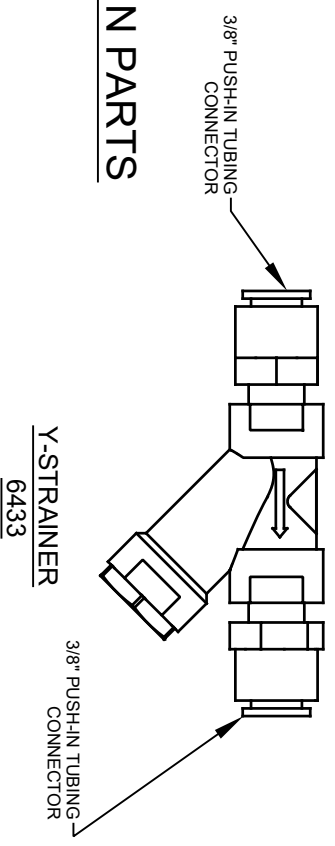


SOLENOID VALVE ASSEMBLY (2X)
VRKH05



VALVE REGULATOR (2X)
5867

2RKHO.H KIT - MAIN PARTS

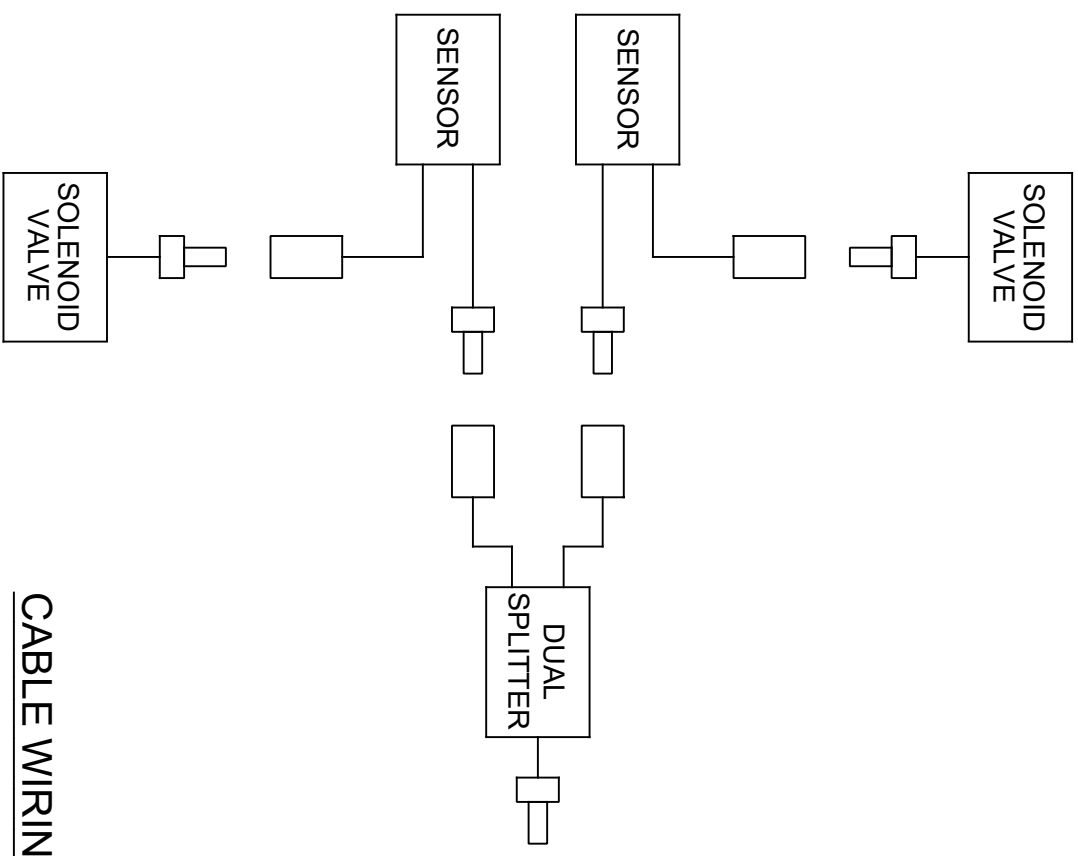


Y-STRAINER
6433

		Haws	
1456 KLEPPE LANE SPARKS, NEVADA 89431 (775) 359-4712 FAX (775) 359-7424 E-MAIL: HAWS@HAWS.CO.COM WEBSITE: WWW.HAWS.CO.COM			
ECN NO. REVISED PER BY: 5849 BLM	DATE: 02/10/21	CHK'D: EV	SCALE: N/A
APPROVED: BLM	DATE: 10/20/21	SCALE: N/A	DRAWING TYPE: INSTALLATION
MODEL(S) 2RKHO.P / 2RKHO.H		PART NUMBER 0580001156.D	
DUAL HANDS-OFF RETRO-FIT KIT		REVISION 4	
SIZE: A		SHEET 3 OF 4	

NOTES (CONTINUED FROM SHEET 1):

- 6. 2RKHO.H TRANSFORMER WIRE RANGE: 24-12 AWG
2RKHO.H TRANSFORMER TIGHTENING TORQUE: MAX 0.4 N*m

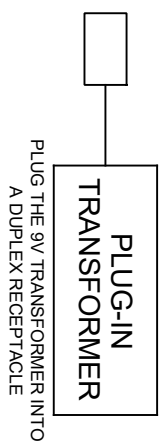


CABLE WIRING SCHEMATIC

2RKHO.H TRANSFORMER



2RKHO.P TRANSFORMER



		MODEL(S)	
1459 KLEPPE LANE SPARKS, NEVADA, 89431 (775) 359-4712 FAX (775) 359-7424 E-MAIL: HAWS@HAWS.CO.COM WEBSITE: WWW.HAWS.CO.COM		2RKHO.P / 2RKHO.H DUAL HANDS-OFF RETRO-FIT KIT	
ECN NO. REVISED PER BY:	DATE:	ECN NO. REVISED PER BY:	DATE:
5849 B.M.	02/10/21	5849 B.M.	02/10/21
APPROVED:	SCALE:	DRAWING TYPE:	INSTALLATION:
B.M.	N/A		
PART NUMBER		REVISION	
0580001156.D		4	
SHEET		4 OF 4	