

FEATURES & BENEFITS

CONSTRUCTION

Heavy-duty cast iron bowl with a glossy white enamel finish is designed for the toughest of applications, and at the same time is gentle to all users with its soft rounded corners. Unit also ships with vandal-resistant bottom plates to provide added peace of mind.

BOTTLE FILLER

Vandal-resistant, 14-gauge white powder-coated Type 304 stainless steel bottle filler housing with touchless operation and 1 gpm (3.78 L) laminar flow.

BUBBLER HEADS

Polished chrome-plated brass bubbler heads with integral 11/16" dia. basin shank and stainless anti-rotation roll pin for vandal resistance strength. Shielded, angled stream opening provides a steady, sanitary source of drinking water at .45 gpm.

FOUNTAIN VALVES

Fountain incorporates touchless sensor operated stainless steel solenoid valves controlled by a transformer for hands-free operation. A pressure regulator is used to adjust the bubbler flow according to incoming water pressures.

VANDAL RESISTANT

The bubbler heads, sensors, drain strainer and bottom plates are locked in place, discouraging unwanted vandal tampering, and 30-second obstruction time-out to reduce tampering of sensors.

OPTIONS

- Mounting Plate: Model 6700, in-wall mounting plate for model 1920WHO.
- Mounting Plate: Model 6700R, on-wall mounting plate for model 1920WHO.
- Remote Drinking Fountain Water chiller: Model HCR8, 8 gph (30.3 L) remote water chiller provides instantaneous cooling to meet a continuous demand for chilled water.
- Water Filter: Model 6426, 10" x 2" (25.4 x 5.1 cm), in-line lead removal element that reduces lead from incoming water supply.

For more information, visit www.hawsco.com or call (888) 640-4297.



REQUIRED MODELS

1430HO / 1920WHO

Order these items to make up the Model 1430HO-1920WHO white enameled-iron fountain and white painted stainless steel bottle filler.

FOR INDOOR USE ONLY

SPECIFICATIONS

Model 1430HO-1920WHO vandal-resistant wall mounted motion-activated drinking fountain and bottle filler shall include a white enameled-iron basin mounted with twin galvanized cast-iron wall brackets, touchless sensor operated stainless steel solenoid valves with 30-second obstruction time-out controlled by a transformer, 100% lead-free waterways, dual polished chrome plated brass vandal-resistant bubbler heads, polished chrome plated brass vandal-resistant waste strainer, vandal-resistant bottom plate, and chrome-plated 1-1/2" NPT trap. Manufactured to be lead-free by all known definitions including NSF/ANSI/CAN 61-Section 9, NSF/ANSI/CAN 372, California Proposition 65, and the Federal Safe Drinking Water Act. Product is compliant to California Health and Safety Code 116875 (AB 1953-2006), and 116876 (AB 100) "NSF/ANSI/CAN 61: Q ≤ 1".

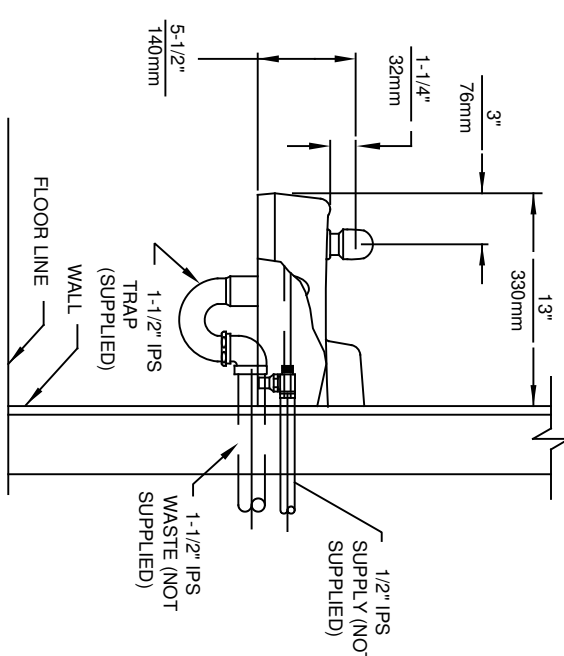
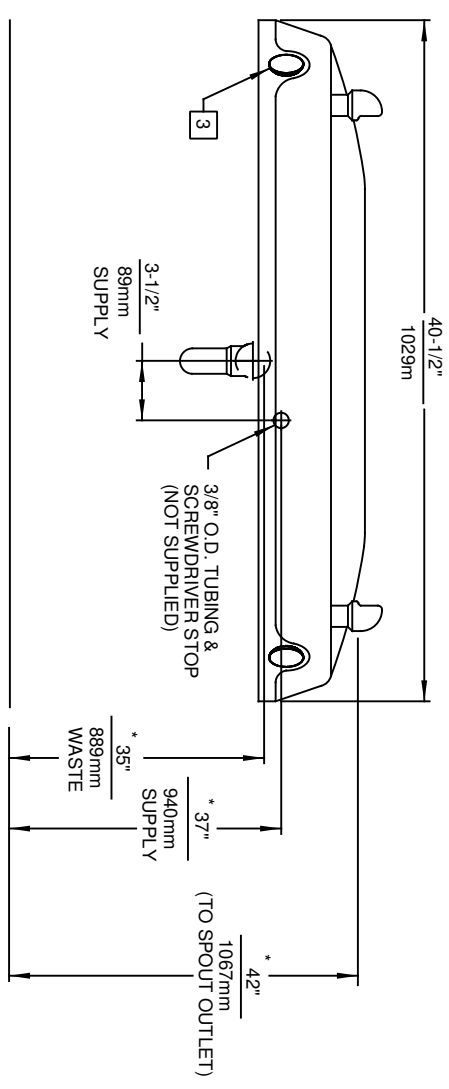
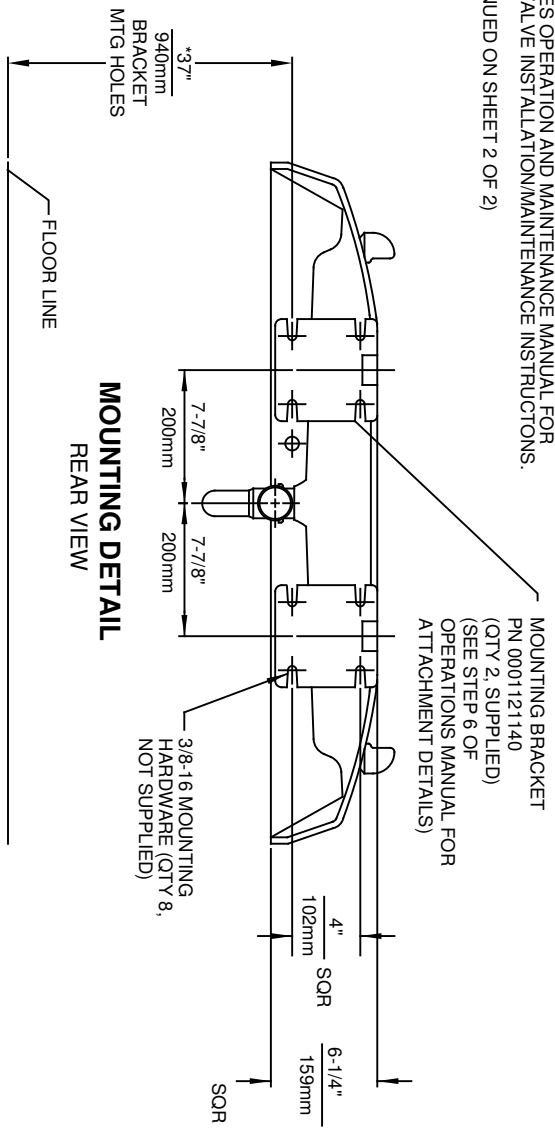
The bottle filler requires a mounting plate; either the Haws model 6700 in-wall or the 6700R on-wall support plate.



NOTES:

1. ROUGH-IN DIMENSIONS MAY VARY ±1/4" (6.4mm).
2. WHEN INSTALLING THIS UNIT LOCAL, STATE OR FEDERAL CODES SHOULD BE ADHERED TO. FOR INSTALLATION HEIGHTS OTHER THAN SHOWN, DIMENSIONS MARKED (*) MUST BE ADJUSTED ACCORDINGLY.
3. REFER TO 5874 SERIES OPERATION AND MAINTENANCE MANUAL FOR PUSH BUTTON AND VALVE INSTALLATION/MAINTENANCE INSTRUCTIONS.

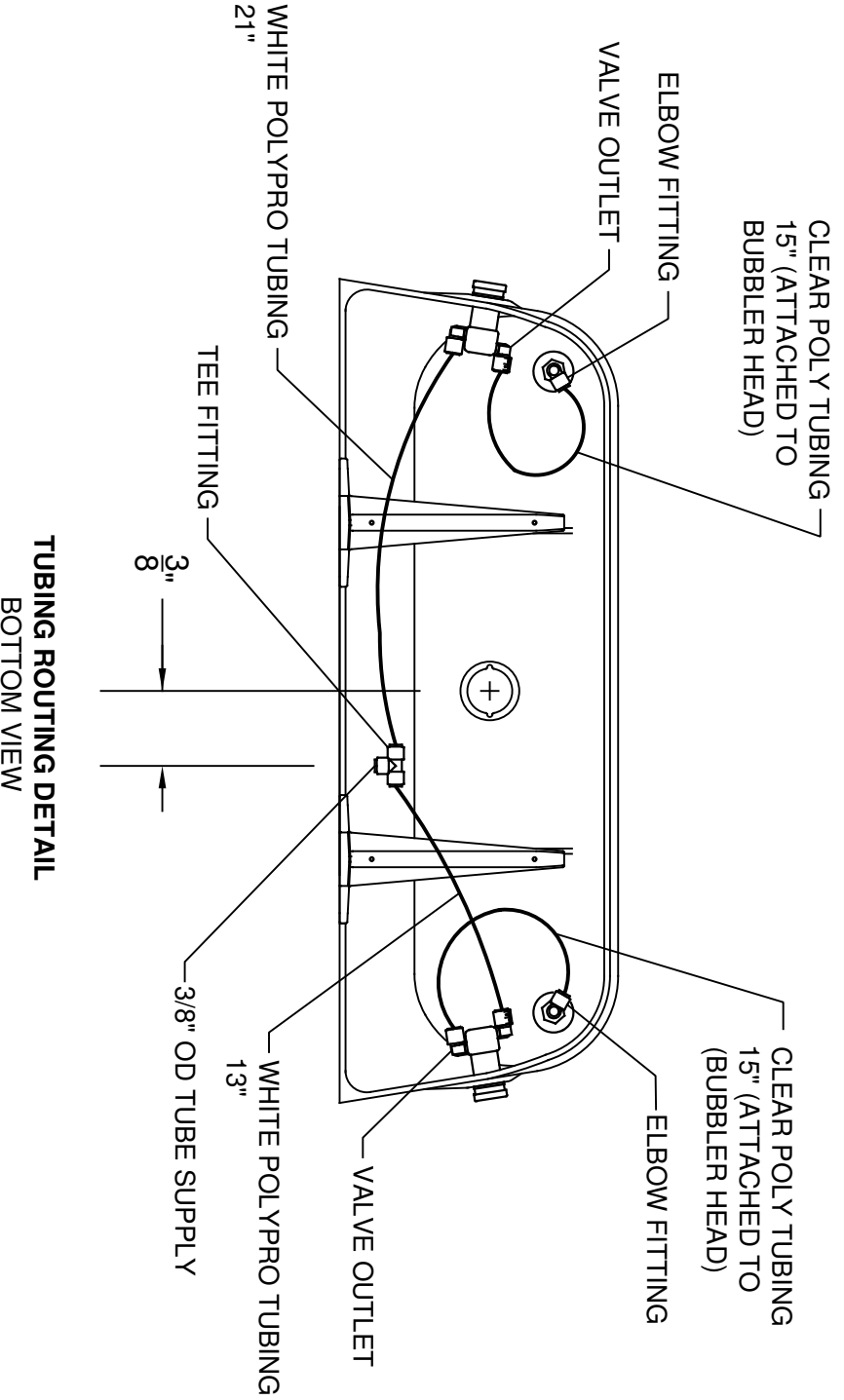
(NOTES CONTINUED ON SHEET 2 OF 2)



		HAWWS	
1459 KLEPPE LANE SPARKS, NEVADA, 89431 (775) 359-4712 FAX (775) 359-7424 E-MAIL: HAWWS@HAWSCO.COM WEBSITE: WWW.HAWSCO.COM			
ECN NO. REVISED PER BY:	MODEL(S)	1430	PART NUMBER
ECN: S188	JP	TWO BUBBLER FOUNTAIN	0002076850.D
DATE: 11-01-91	CHKD: VWC	INSTALLATION	REVISION: 18
APPROVED: EV	SCALE: 1:11	DRAWING TYPE:	SHEET 1 OF 2

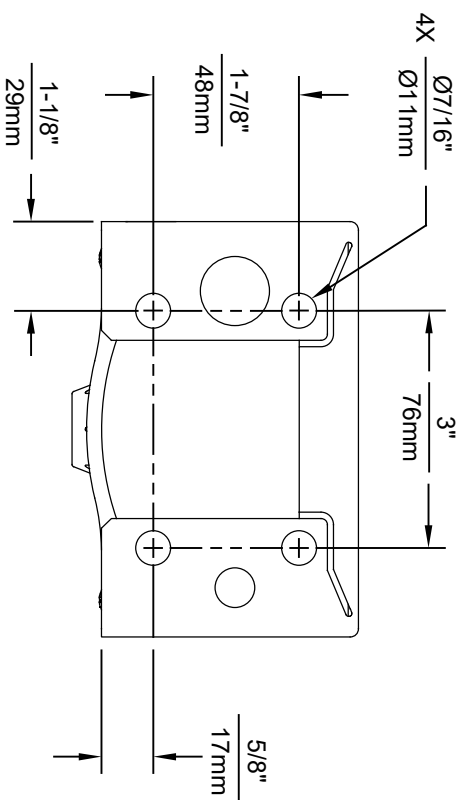
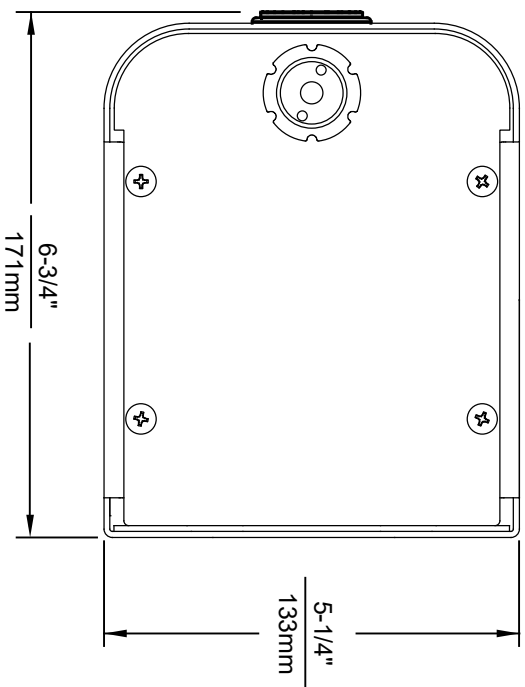
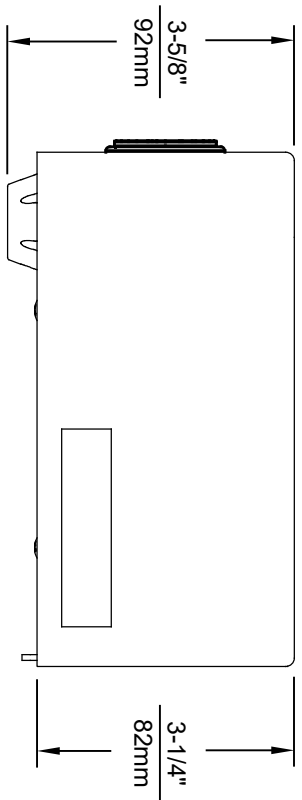
NOTES: (CONTINUED)

4. CONNECT WHITE "POLYPROPYLENE" TUBING ON PRESSURE SIDE (INLET) OF VALVE.
5. CONNECT CLEAR "POLYETHYLENE" TUBING ON FREE FLOW SIDE (VALVE TO BUBBLER HEAD) ONLY.

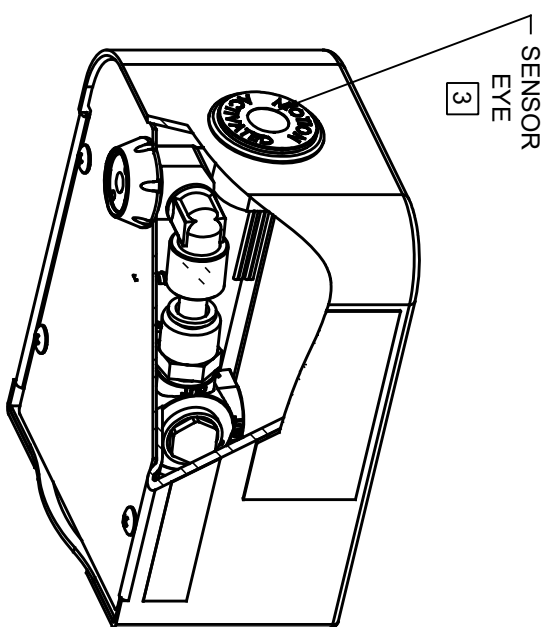


**TUBING ROUTING DETAIL
BOTTOM VIEW**

		Haws	
1459 KLEPPE LANE SPARKS, NEVADA, 89431 (775) 359-4712 FAX (775) 359-7424 E-MAIL: HAWS@HAWSCO.COM WEBSITE: WWW.HAWSCO.COM			
ECN NO. REVISED PER BY:	MODEL(S)	1430	PART NUMBER
0002076850.D	TWO BUBBLER FOUNTAIN		0002076850.D
DATE: 11-01-91	DATE: 07/06/17	SCALE: 1:1	DRAWING TYPE: INSTALLATION
CHKD: JP	DATE: 07/06/17	SIZE: A	SHEET 2 OF 2
APPROVED: FV	SCALE: 1:1	DRAWING TYPE: INSTALLATION	REVISION: 18



1920HO SERIES MOUNTING HOLE LOCATIONS
(3/8" - 16 UNC MOUNTING HARDWARE NOT SUPPLIED)



NOTES:

1. SEE SEPARATE INSTALLATION DRAWINGS FOR MOUNTING PLATES AND BACKPANELS
2. WHEN INSTALLING THIS UNIT, LOCAL, STATE OR FEDERAL CODES SHOULD BE ADHERED TO FOR INSTALLATION LOCATIONS, WASTE AND SUPPLY REQUIREMENTS OTHER THAN SHOWN.
3. REFER TO 1RKHO.H OPERATION & MAINTENANCE INSTRUCTIONS FOR SENSOR SETUP.



1455 KLEPPE LANE
SPARKS, NEVADA 89431
(775) 359-4712 FAX (775) 359-7424
E-MAIL: HAWS@HAWSCCO.COM
WEBSITE: WWW.HAWSCCO.COM

EQ# NO. REVISION	PER BY	DATE	SCALE	DESCRIPTION	SIZE	SHEET
0510001063.D	B.M.	05/19/21	N/A	INSTALLATION	A	1 OF 6
0510001063.D	B.M.	05/19/21	N/A	INSTALLATION	A	4