

FEATURES & BENEFITS

CONSTRUCTION

Heavy-duty cast iron bowl with a glossy white enamel finish is designed for the toughest of applications, and at the same time is gentle to all users with its soft rounded corners. Unit also ships with vandal-resistant bottom plates to provide added peace of mind.

BOTTLE FILLER

Powder-coated white 14-gauge Type 304 stainless steel bottle filler housing with touchless operation and 1 gpm (3.78 L) laminar flow with 30-second obstruction time-out.

BUBBLER HEADS

Polished chrome-plated brass bubbler heads with integral 11/16" dia. basin shank and stainless anti-rotation roll pin for vandal resistance strength. Shielded, angled stream opening provides a steady, sanitary source of drinking water at .45 gpm.

FOUNTAIN VALVES

Bottle filler incorporates a touchless sensor operated stainless steel solenoid valve controlled by a transformer, and a push-button activated valve which offers the only all stainless-steel valve body that is machined out of solid bar stock and is fully serviceable through the front of the push button assembly offering access to the water control cartridge and integral water supply strainer on the fountain.

VANDAL RESISTANT

The bubbler heads, push buttons, drain strainer and bottom plates are locked in place, discouraging unwanted vandal tampering, and 30-second obstruction time-out to reduce tampering of sensor.

OPTIONS

- Water Filter: Model 6480 filter kit with 3000 gallon carbon block filter, filter head, and mounting bracket.
- Mounting Plate: Model 6700R, on-wall mounting plate for model 1920W.
- Remote Drinking Fountain Water chiller: Model HCR8, 8 gph (30.3 L) remote water chiller provides instantaneous cooling to meet a continuous demand for chilled water.

For more information, visit www.hawsco.com or call (888) 640-4297.



SPECIFICATIONS

1430 / 1920WHO / 6700

Order these items to make up the Model 1430-1920WHO white enameled-iron fountain and white painted stainless steel bottle filler.

FOR INDOOR USE ONLY

APPLICATIONS

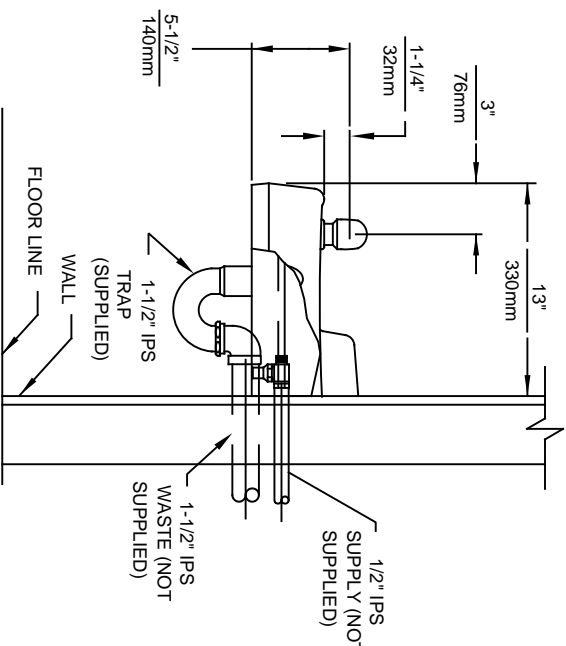
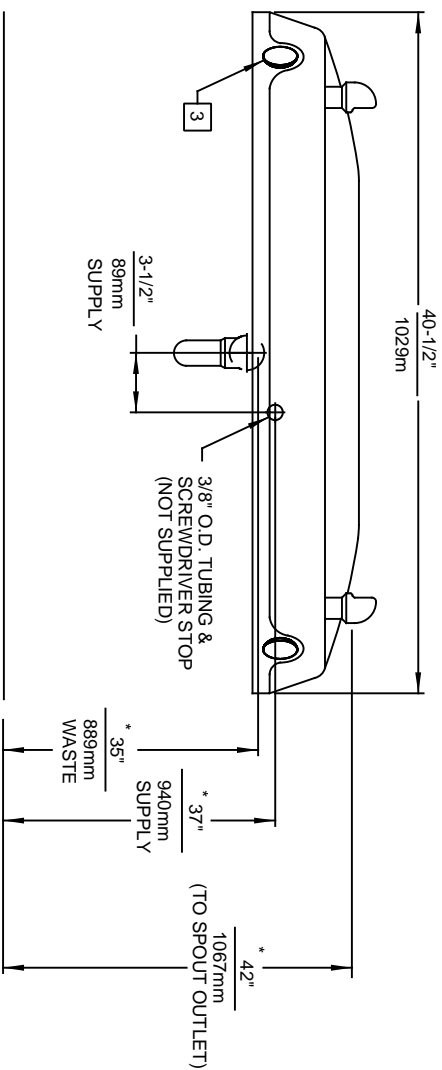
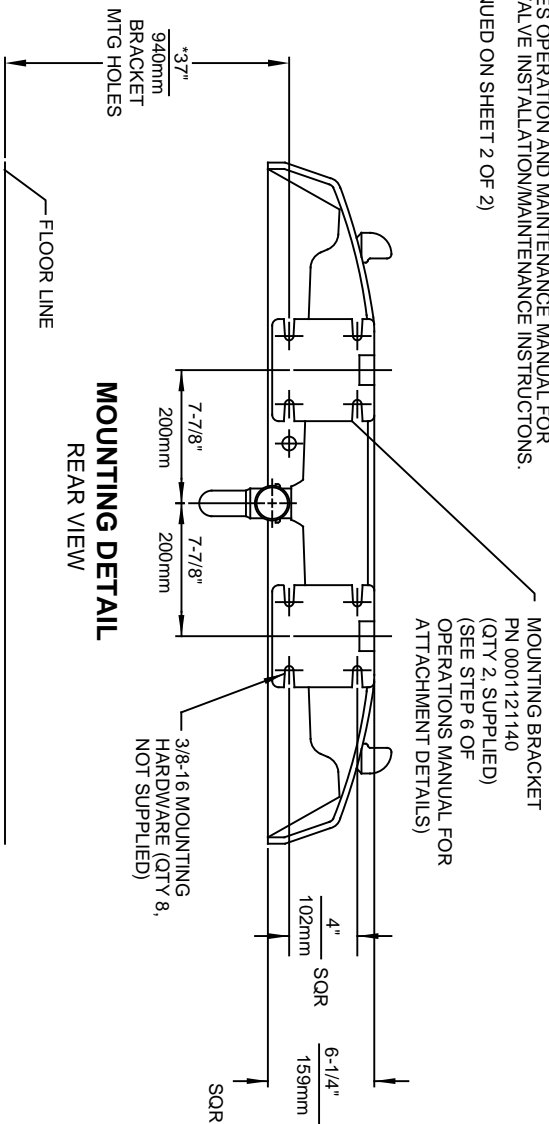
Model 1430-1920WHO wall mounted vandal-resistant drinking fountain and motion activated bottle filler shall include a white enameled-iron basin mounted with twin galvanized cast-iron wall brackets, touchless sensor operated solenoid valve with 30-second obstruction time-out on the bottle filler, and vandal-resistant pushbutton operated stainless-steel valves with front-accessible cartridge and flow adjustment on the fountain, 3/16" (.47 cm) thick steel mounting plate for bottle filler, 100% lead-free waterways, dual polished chrome plated brass vandal-resistant bubbler heads, polished chrome plated brass vandal-resistant waste strainer, vandal resistant bottom plate, and chrome-plated 1-1/2" NPT trap. Manufactured to be lead-free by all known definitions including NSF/ANSI/CAN 61-Section 9, NSF/ANSI/CAN 372, California Proposition 65, and the Federal Safe Drinking Water Act. Product is compliant to California Health and Safety Code 116875 (AB 1953-2006), and 116876 (AB 100) "NSF/ANSI/CAN 61: Q ≤ 1".



NOTES:

1. ROUGH-IN DIMENSIONS MAY VARY ±1/4" (6.4mm).
2. WHEN INSTALLING THIS UNIT LOCAL, STATE OR FEDERAL CODES SHOULD BE ADHERED TO. FOR INSTALLATION HEIGHTS OTHER THAN SHOWN, DIMENSIONS MARKED (*) MUST BE ADJUSTED ACCORDINGLY.
3. REFER TO 5874 SERIES OPERATION AND MAINTENANCE MANUAL FOR PUSH BUTTON AND VALVE INSTALLATION/MAINTENANCE INSTRUCTIONS.

(NOTES CONTINUED ON SHEET 2 OF 2)

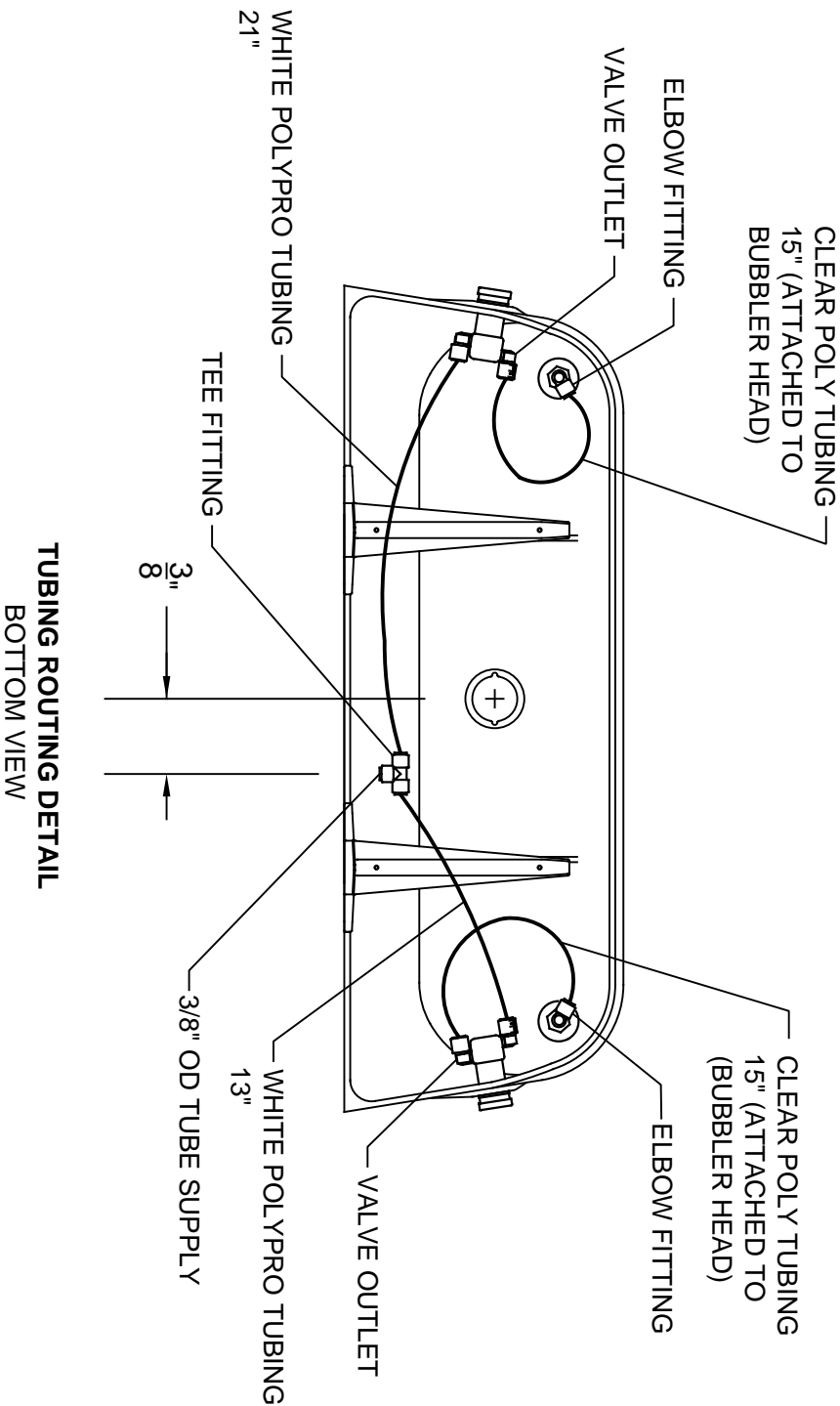


HAWWS

1456 KLEPPE LANE
SPARKS, NEVADA, 89431
(775) 359-4712 FAX (775) 359-7424
E-MAIL: HAWWS@HAWSCO.COM
WEBSITE: WWW.HAWSCO.COM

ECN NO. REVISED PER BY:	MODEL(S)	1430
ECN: 5188	CHKD: JP	
DATE: 11-01-91	VWC	
APPROVED: FV	SCALE: 1:11	DRAWING TYPE: INSTALLATION
DATE: 07/08/17		SIZE: A
		SHEET: 1 OF 2
		REVISION: 18
		PART NUMBER: 0002076850.D

- NOTES: (CONTINUED)**
- CONNECT WHITE "POLYPROPYLENE" TUBING ON PRESSURE SIDE (INLET) OF VALVE.
 - CONNECT CLEAR "POLYETHYLENE" TUBING ON FREE FLOW SIDE (VALVE TO BUBBLER HEAD) ONLY.



**TUBING ROUTING DETAIL
BOTTOM VIEW**

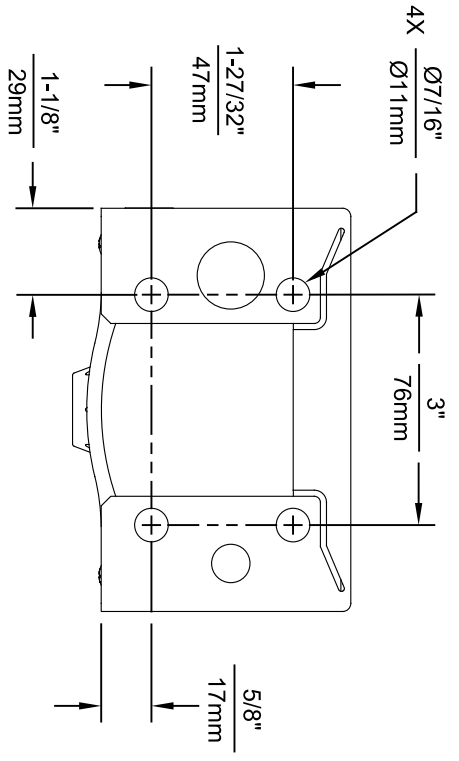
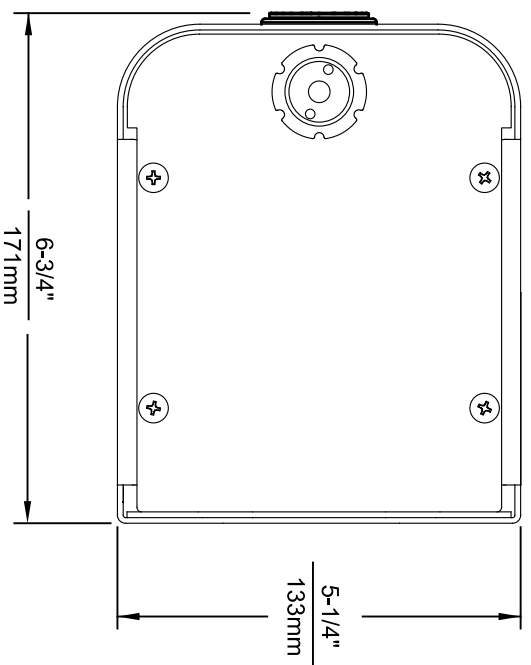
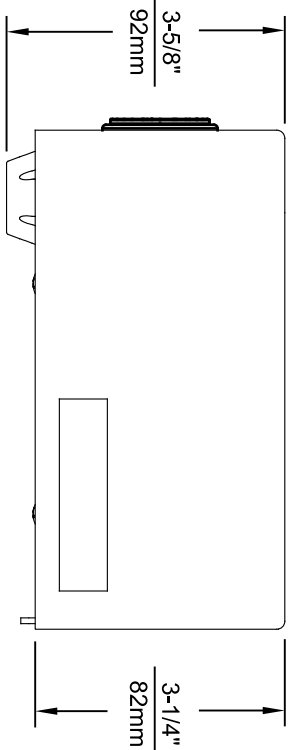


Haws

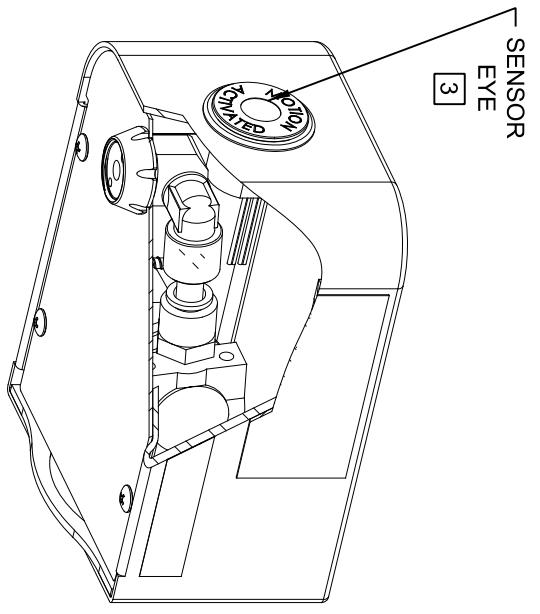
1459 KLEPPE LANE
SPARKS, NEVADA, 89431
(775) 359-4712 FAX (775) 359-7424
E-MAIL: HAWS@HAWS.CO.COM
WEBSITE: WWW.HAWS.CO.COM

ECN NO.	REVISED PER BY:	MODEL(S)	1430
DRAWN:	DATE:	CHK'D:	JP
11-01-91	11-01-91	VWG	
APPROVED:	DATE:	SCALE:	1:1
02/08/17		DRAWING TYPE:	INSTALLATION
		SIZE:	A
		SHEET:	2 OF 2
		REVISION:	18
		PART NUMBER:	0002076850.D

TWO BUBBLER FOUNTAIN



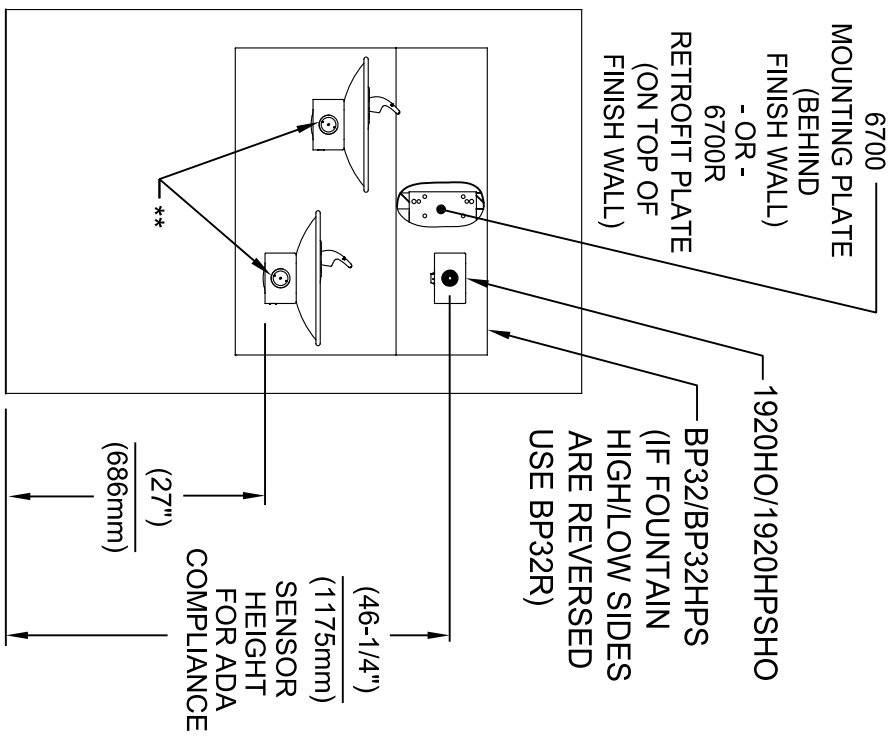
1920HO SERIES MOUNTING HOLE LOCATIONS
(3/8\"-16 UNC MOUNTING HARDWARE NOT SUPPLIED)



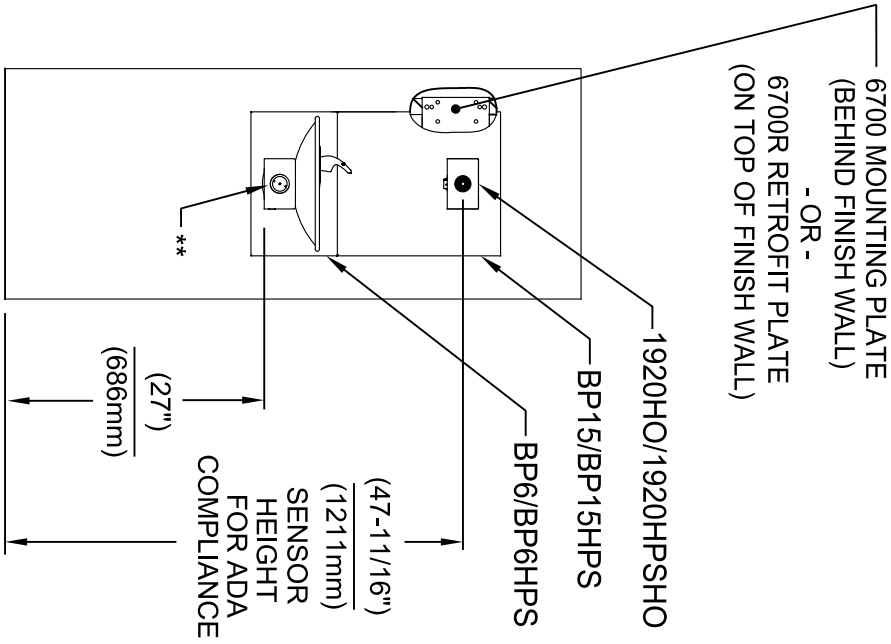
NOTES:

1. SEE SHEETS 2 THRU 7 FOR BOTTLE FILLER ADULT ADA HEIGHT APPLICATIONS AND SHEET 8 FOR CHILD ADA HEIGHT APPLICATIONS.
2. WHEN INSTALLING THIS UNIT, LOCAL, STATE OR FEDERAL CODES SHOULD BE ADHERED TO FOR INSTALLATION LOCATIONS, WASTE AND SUPPLY REQUIREMENTS OTHER THAN SHOWN.
- 3 REFER TO 1RKHO.H OPERATION & MAINTENANCE INSTRUCTIONS FOR SENSOR SETUP.

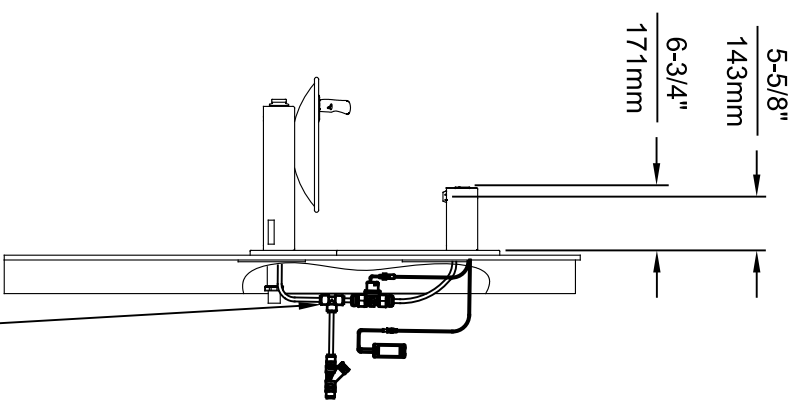
		1455 KLEPPLE LANE SPARKS, NEVADA 89431 (775) 359-4712 FAX (775) 359-7424 E-MAIL: HAWS@HAWS.CO.COM WEBSITE: WWW.HAWS.CO.COM	
EGN NO. REVISED PER BY: FV DRAWN: ECN: 6136 DATE: CHK'D: KM FV 08/18/20	MODEL(S) 1920HO/1920HPSHO/1920WHO	SCALE: N/A DRAWING TYPE:	INSTALLATION:
APPROVED: FV DATE: 11/04/24	PART NUMBER 0510001063.D	SIZE: A1 SHEET: 1 OF 8	REVISION: 8



INSTALLATION ABOVE HAWS 1011 & H1011.8 SERIES



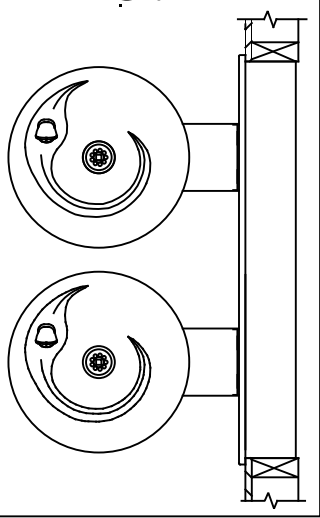
INSTALLATION ABOVE HAWS 1001 & H1001.8 SERIES



* IF YOUR FOUNTAIN IS THIS STYLE USE THESE DIMENSIONS

1. SEE SEPARATE INSTALLATION DRAWINGS FOR MOUNTING PLATES AND BACK PANELS (SHOWN FOR REFERENCE - NOT SUPPLIED).

2. WHEN INSTALLING THIS UNIT, LOCAL, STATE OR FEDERAL CODES SHOULD BE ADHERED TO FOR INSTALLATION LOCATIONS, WASTE & SUPPLY REQUIREMENTS OTHER THAN SHOWN.



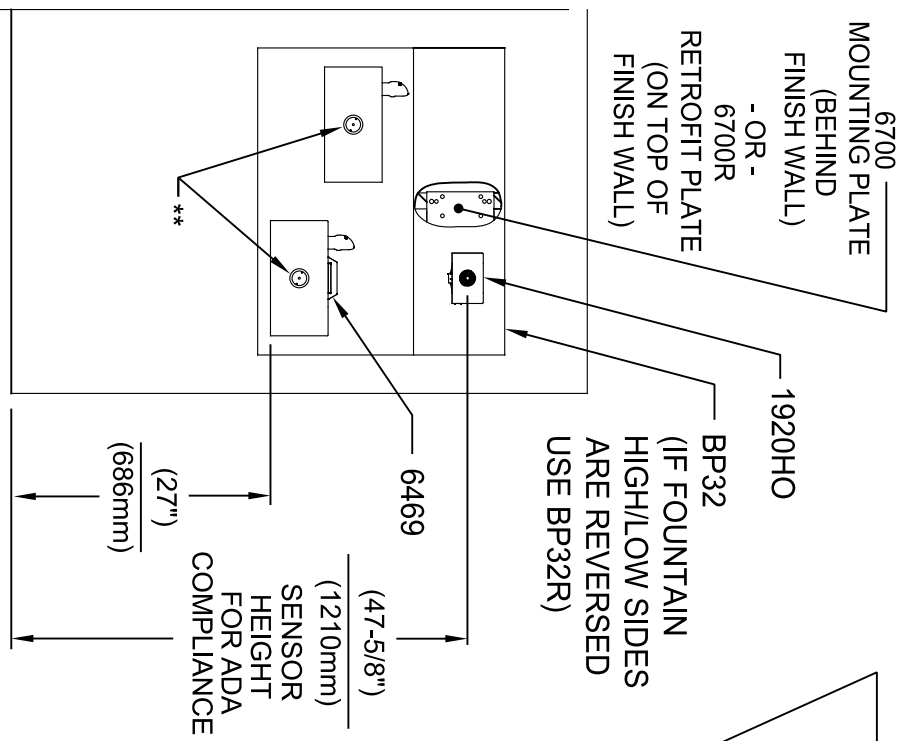
** EXISTING PUSH BUTTON ASSEMBLY SHOWN, CAN BE CONVERTED TO HANDS OFF STYLE, USING RETRO-FIT KIT MODEL 1RKHO.H OR 2RKHO.H DEPENDING ON CUSTOMER REQUIREMENTS.

3/8" O.D. SUPPLY TUBING AND 3/8" O.D. PUSH-IN TEE SUPPLIED. (CONNECT TO FOUNTAIN SUPPLY LINE)

Haws
Since 1906

1455 KLEPPLE LANE
SPARKS, NEVADA 89431
(775) 359-4712 FAX (775) 359-7424
E-MAIL: HAWS@HAWS.CO.COM
WEBSITE: WWW.HAWS.CO.COM

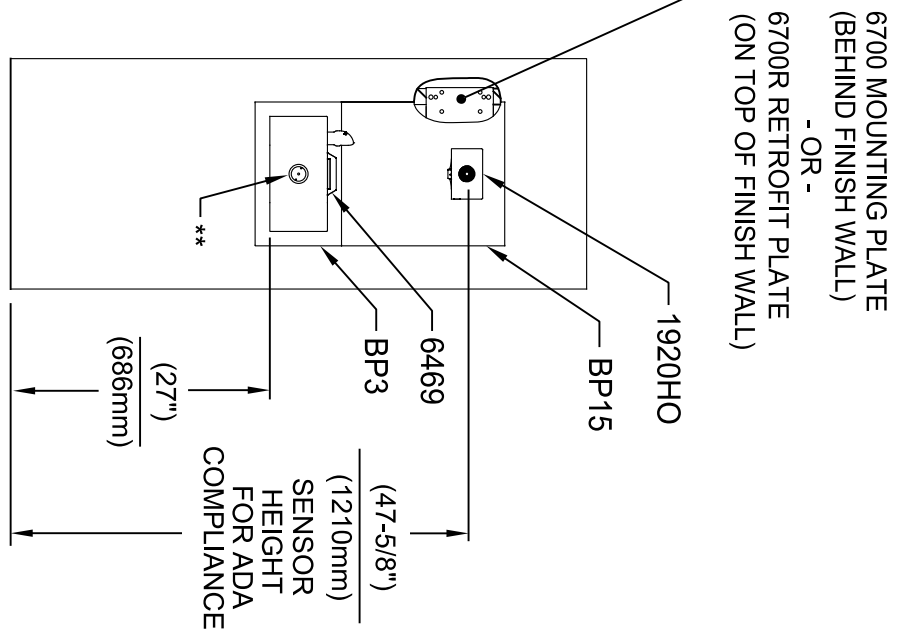
EGN NO. REVISED PER BY:	MODEL(S)	SCALE	DATE	DATE	INSTALLATION
5574 EGN: 6136 FV	1920HO/1920HPSHO/1920WHO	N/A	11/8/24		SIZE: A1 SHEET: 2 OF 8
DRAWN: FV			CHK'D: KM		
FV			DATE: 08/18/20		
APPROVED: FV					
PART NUMBER					
0510001063.D					
REVISION					
8					



INSTALLATION ABOVE HAWS 1119 & H1119.8 SERIES

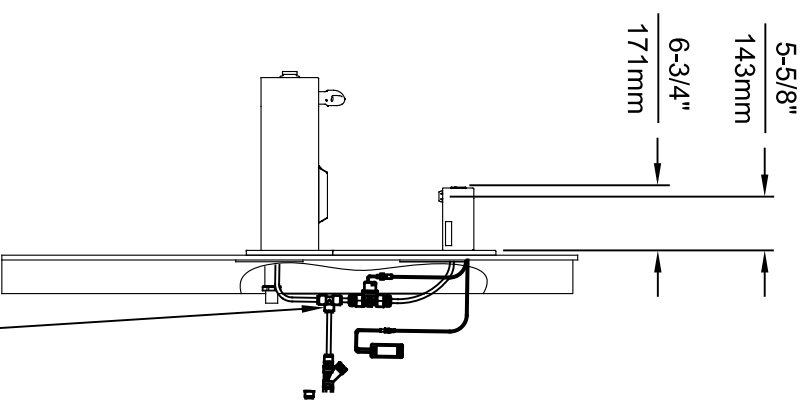
* IF YOUR FOUNTAIN IS THIS STYLE USE THESE DIMENSIONS

1. SEE SEPARATE INSTALLATION DRAWINGS FOR MOUNTING PLATES, BACK PANELS AND DRIP TRAY (NOT SUPPLIED).
2. WHEN INSTALLING THIS UNIT, LOCAL, STATE OR FEDERAL CODES SHOULD BE ADHERED TO FOR INSTALLATION LOCATIONS, WASTE & SUPPLY REQUIREMENTS OTHER THAN SHOWN.

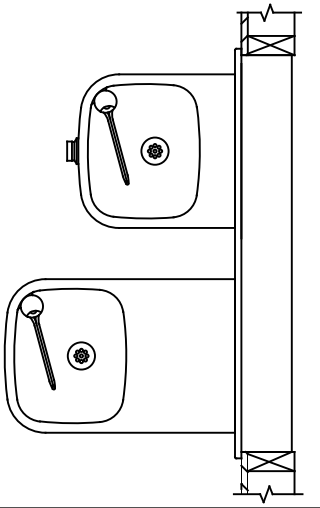


**INSTALLATION ABOVE HAWS 1109 & H1109.8 SERIES
SEE SHEET 8 FOR INSTALLATION AT CHILD HEIGHT**

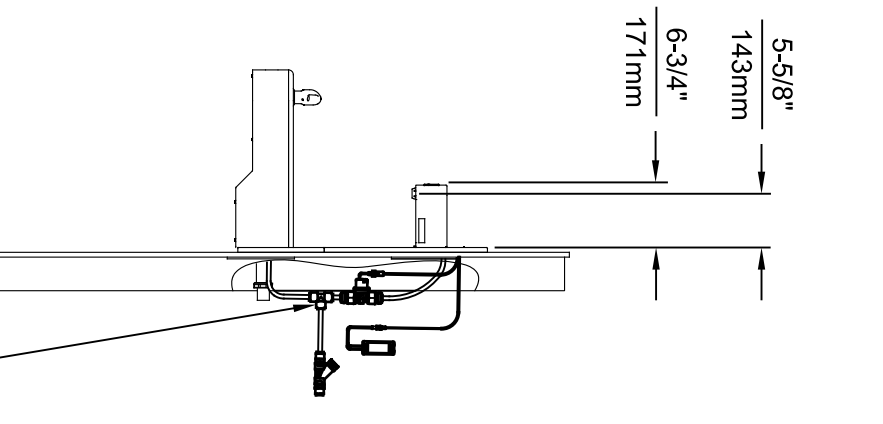
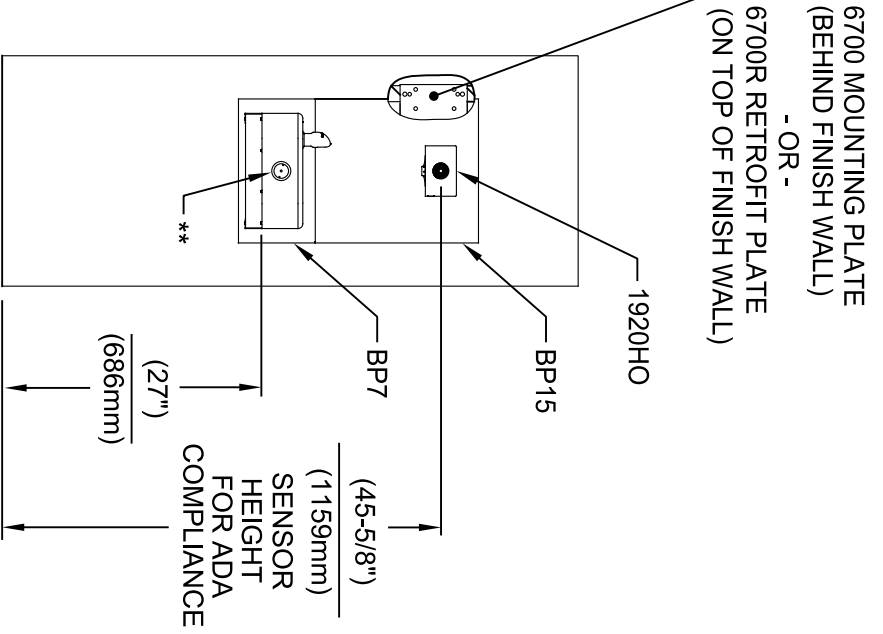
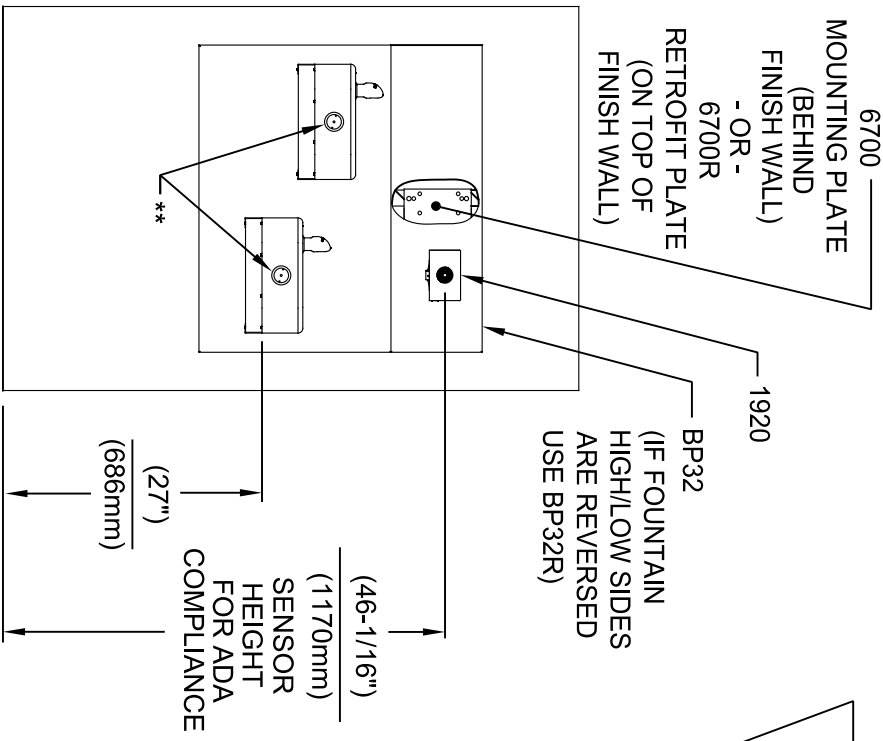
** EXISTING PUSH BUTTON ASSEMBLY SHOWN, CAN BE CONVERTED TO HANDS OFF STYLE, USING RETRO-FIT KIT MODEL 1RKHO.H OR 2RKHO.H DEPENDING ON CUSTOMER REQUIREMENTS.



3/8" O.D. SUPPLY TUBING AND 3/8" O.D. PUSH-IN TEE SUPPLIED. (CONNECT TO FOUNTAIN SUPPLY LINE)



EQUIPMENT NO. REVISED PER BY:		MODEL(S)		SCALE		DRAWING TYPE		INSTALLATION	
5574	ECN: 6136	DATE	CHK'D:	1/19/24	N/A			SIZE	A1 SHEET 3 OF 8
5574	ECN: 6136	DATE	CHK'D:	08/18/20					
FV		DATE	CHK'D:						
FV		DATE	CHK'D:						
PART NUMBER				1455 KLEPPLE PLANE					
REVISION				SPARKS, NEVADA 89431					
8				(775) 359-4712 FAX (775) 359-7424					
				E-MAIL: HAWS@HAWS.CO.COM					
				WEBSITE: WWW.HAWS.CO.COM					
				1920HO/1920HPSHO/1920WHO					
				0510001063.D					

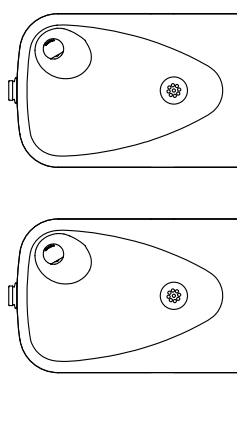


INSTALLATION ABOVE HAWES 1117L & H1117.8 SERIES

**INSTALLATION ABOVE HAWES 1107L & H1107.8 SERIES
SEE SHEET 8 FOR INSTALLATION AT CHILD HEIGHT**

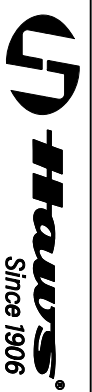
* IF YOUR FOUNTAIN IS THIS STYLE USE THESE DIMENSIONS

1. SEE SEPARATE INSTALLATION DRAWINGS FOR MOUNTING PLATES AND BACK PANELS (SHOWN FOR REFERENCE - NOT SUPPLIED).
2. WHEN INSTALLING THIS UNIT, LOCAL, STATE OR FEDERAL CODES SHOULD BE ADHERED TO FOR INSTALLATION LOCATIONS, WASTE & SUPPLY REQUIREMENTS OTHER THAN SHOWN.

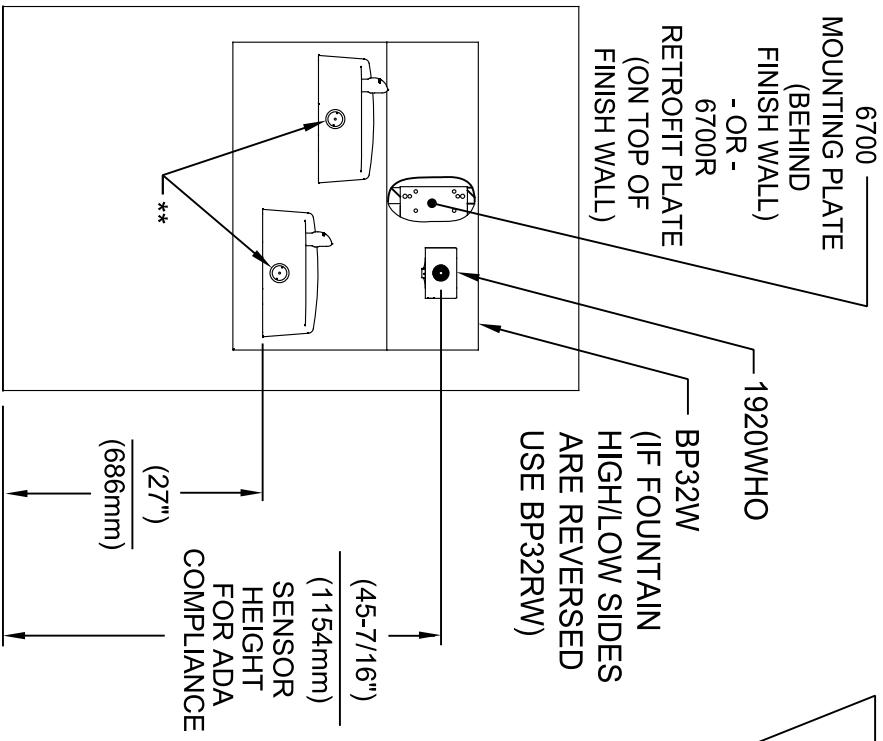


** EXISTING PUSH BUTTON ASSEMBLY SHOWN, CAN BE CONVERTED TO HANDS OFF STYLE, USING RETRO-FIT KIT MODEL 1RKHO.H OR 2RKHO.H DEPENDING ON CUSTOMER REQUIREMENTS.

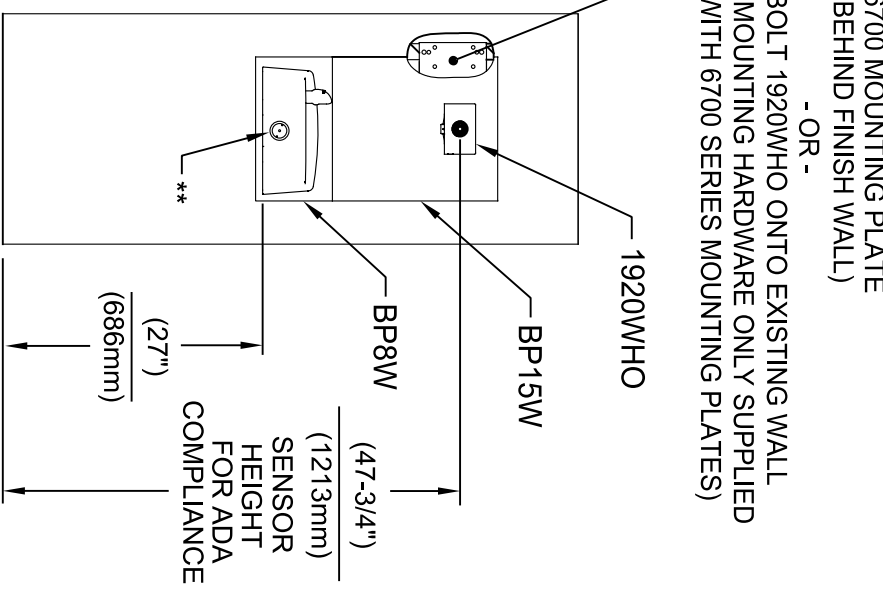
3/8" O.D. SUPPLY TUBING AND 3/8" O.D. PUSH-IN TEE SUPPLIED. (CONNECT TO FOUNTAIN SUPPLY LINE)



EGN NO. REVISED PER BY:	MODEL(S)	1455 KLEPPLELANE
5574 EGN: 6136	1920HO/1920HPSHO/1920WHO	SPARKS, NEVADA 89431
DATE: 08/18/20	SCALE: N/A	(775) 359-4712 FAX (775) 359-7424
CHK'D: KM	DRAWING TYPE:	E-MAIL: HAWS@HAWSCO.COM
DATE: 11/04/24	INSTALLATION:	WEBSITE: WWW.HAWSCO.COM
APPROVED: FV	SIZE: A1	PART NUMBER: 0510001063.D
	SHEET: 4 OF 8	REVISION: 8

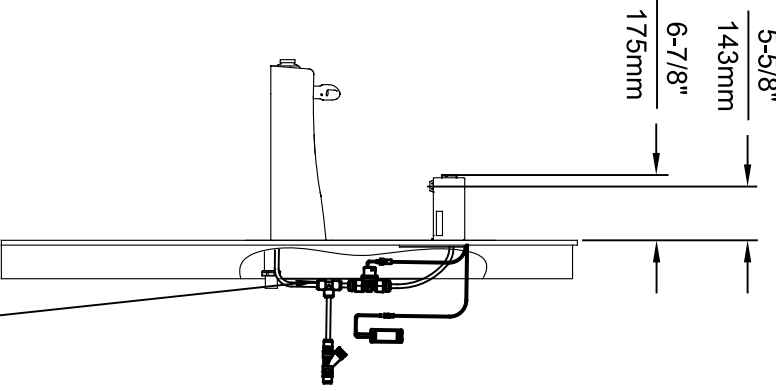


INSTALLATION ABOVE HAWS 1501



INSTALLATION ABOVE HAWS 1311

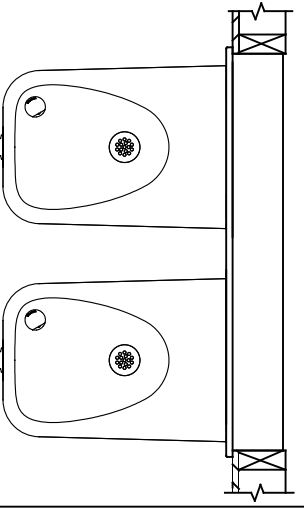
SEE SHEET 8 FOR INSTALLATION AT CHILD HEIGHT



3/8" O.D. SUPPLY TUBING AND 3/8" O.D. PUSH-IN TEE SUPPLIED. (CONNECT TO FOUNTAIN SUPPLY LINE)

* IF YOUR FOUNTAIN IS THIS STYLE USE THESE DIMENSIONS

1. SEE SEPARATE INSTALLATION DRAWINGS FOR MOUNTING PLATES AND BACK PANELS (SHOWN FOR REFERENCE - NOT SUPPLIED).
2. WHEN INSTALLING THIS UNIT, LOCAL, STATE OR FEDERAL CODES SHOULD BE ADHERED TO FOR INSTALLATION LOCATIONS, WASTE & SUPPLY REQUIREMENTS OTHER THAN SHOWN.



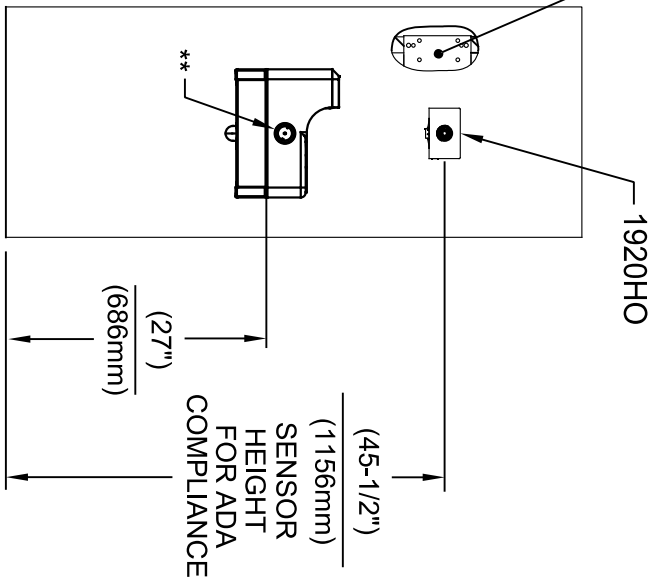
** EXISTING PUSH BUTTON ASSEMBLY SHOWN. CAN BE CONVERTED TO HANDS OFF STYLE, USING RETRO-FIT KIT MODEL 1RKHO.H OR 2RKHO.H DEPENDING ON CUSTOMER REQUIREMENTS.

Haws
Since 1906

1455 KLEPPLE LANE
SPARKS, NEVADA 89431
(775) 359-4712 FAX (775) 359-7424
E-MAIL: HAWS@HAWSCO.COM
WEBSITE: WWW.HAWSCO.COM

EGN NO. REVISED PER BY:	MODEL(S)	SCALE	DATE	DATE	SCALE	DATE	DATE	SCALE	DATE
5574	1920HO/1920HPSHO/1920WHO	N/A	11/04/24	08/18/20	N/A	11/04/24	08/18/20	N/A	11/04/24
DRAWN: FV	CHK'D: KM	DRAWING TYPE:	INSTALLATION	SIZE: A1	SHEET: 5	OF: 8	REVISION: 8	PART NUMBER: 0510001063.D	

6700 MOUNTING PLATE
(BEHIND FINISH WALL)
- OR -
BOLT 1920HO ONTO EXISTING WALL
(MOUNTING HARDWARE ONLY SUPPLIED
WITH 6700 SERIES MOUNTING PLATES)



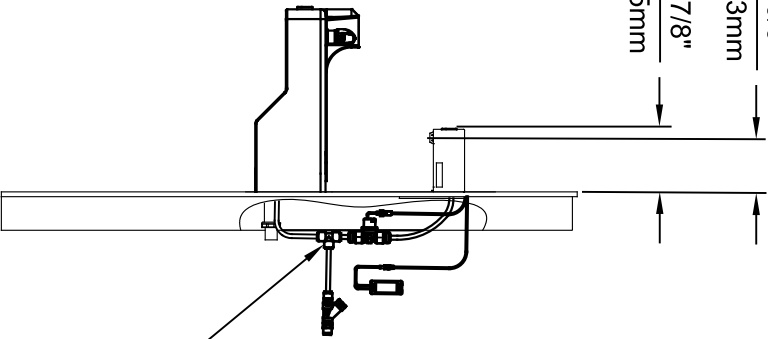
INSTALLATION ABOVE HAWS 1047

* IF YOUR FOUNTAIN IS THIS STYLE USE THESE DIMENSIONS

1. SEE SEPARATE INSTALLATION DRAWINGS FOR MOUNTING PLATES AND BACK PANELS (SHOWN FOR REFERENCE - NOT SUPPLIED).
2. WHEN INSTALLING THIS UNIT, LOCAL, STATE OR FEDERAL CODES SHOULD BE ADHERED TO FOR INSTALLATION LOCATIONS, WASTE & SUPPLY REQUIREMENTS OTHER THAN SHOWN.



5-5/8"
143mm
6-7/8"
175mm

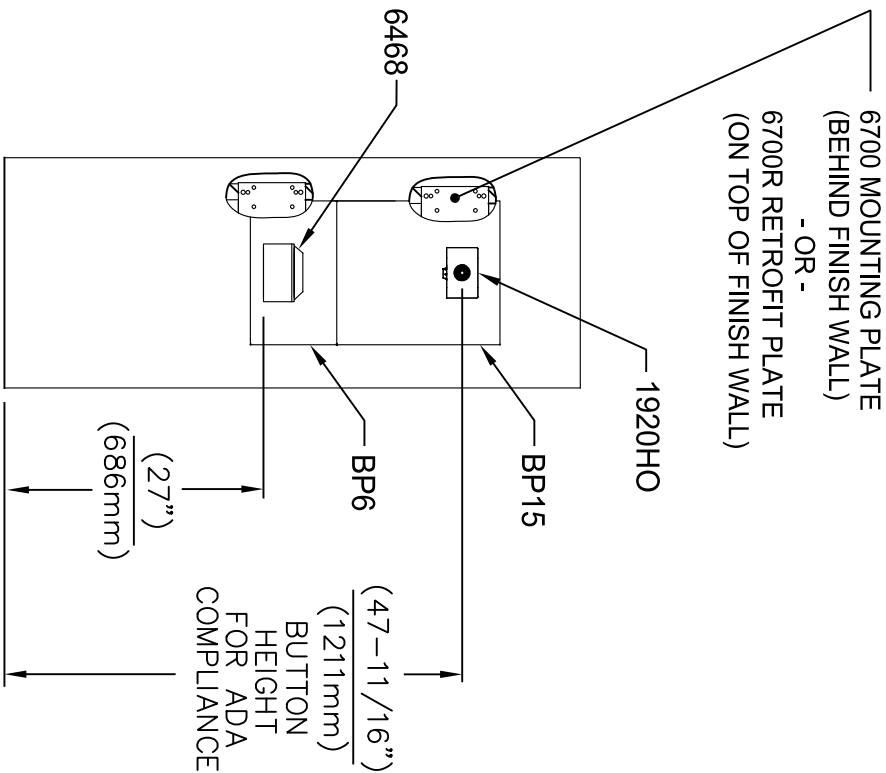


SENSOR WIRING / SUPPLY PLUMBING SCHEMATIC

3/8" O.D. SUPPLY TUBING AND 3/8" O.D. PUSH-IN TEE SUPPLIED. (CONNECT TO FOUNTAIN SUPPLY LINE)

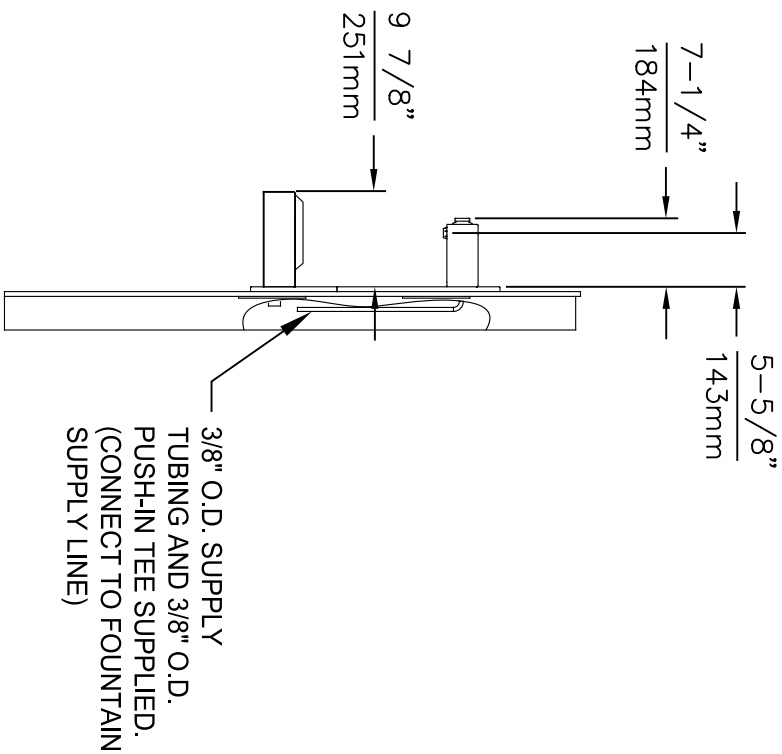
** EXISTING PUSH BUTTON ASSEMBLY SHOWN, CAN BE CONVERTED TO HANDS OFF STYLE, USING RETRO-FIT KIT MODEL 1RKHO.H.

 <p>Haws Since 1906</p>		<p>1455 KLEPPLE LANE SPARKS, NEVADA 89431 (775) 359-4712 FAX (775) 359-7424 E-MAIL: HAWS@HAWS.CO.COM WEBSITE: WWW.HAWS.CO.COM</p>	
<p>EGN NO. REVISED PER BY: FV 5574 EGN: 6136 DRAWN: DATE: CHK'D: KM FV 08/18/20</p>	<p>MODEL(S) 1920HO/1920HPSHO/1920WHO</p>	<p>SCALE: N/A DRAWING TYPE: INSTALLATION</p>	<p>SIZE: A1 SHEET: 6 OF 8 REVISION: 8</p>




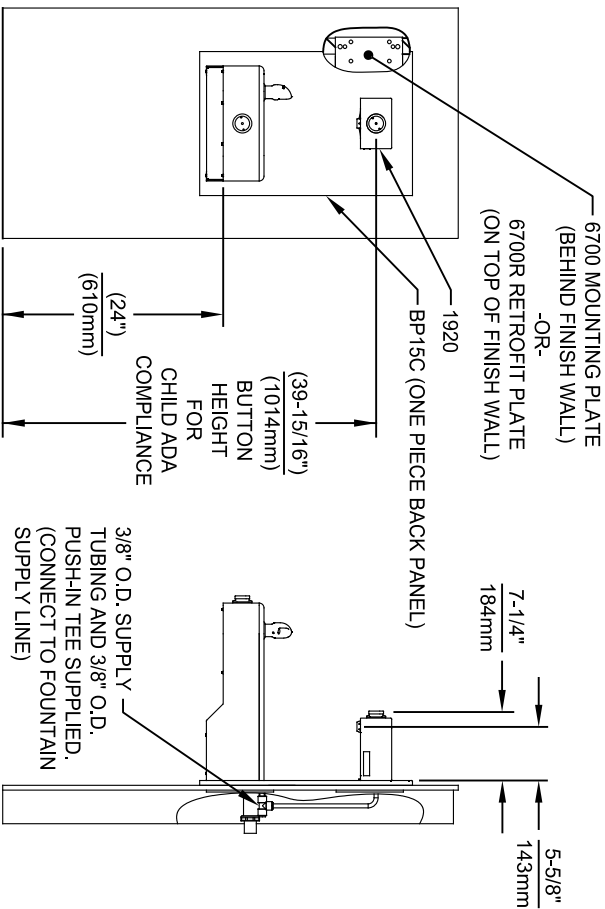
INSTALLATION ABOVE 6468

1. SEE SEPARATE INSTALLATION DRAWINGS FOR MOUNTING PLATES AND BACK PANELS (SHOWN FOR REFERENCE - NOT SUPPLIED).
2. WHEN INSTALLING THIS UNIT, LOCAL, STATE OR FEDERAL CODES SHOULD BE ADHERED TO FOR INSTALLATION LOCATIONS, WASTE & SUPPLY REQUIREMENTS OTHER THAN SHOWN.

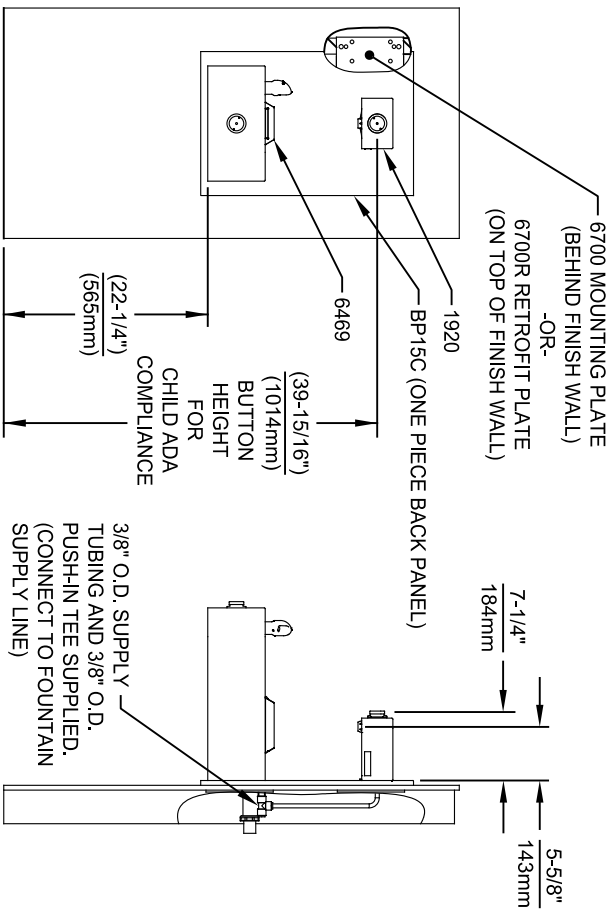


3/8" O.D. SUPPLY TUBING AND 3/8" O.D. PUSH-IN TEE SUPPLIED. (CONNECT TO FOUNTAIN SUPPLY LINE)

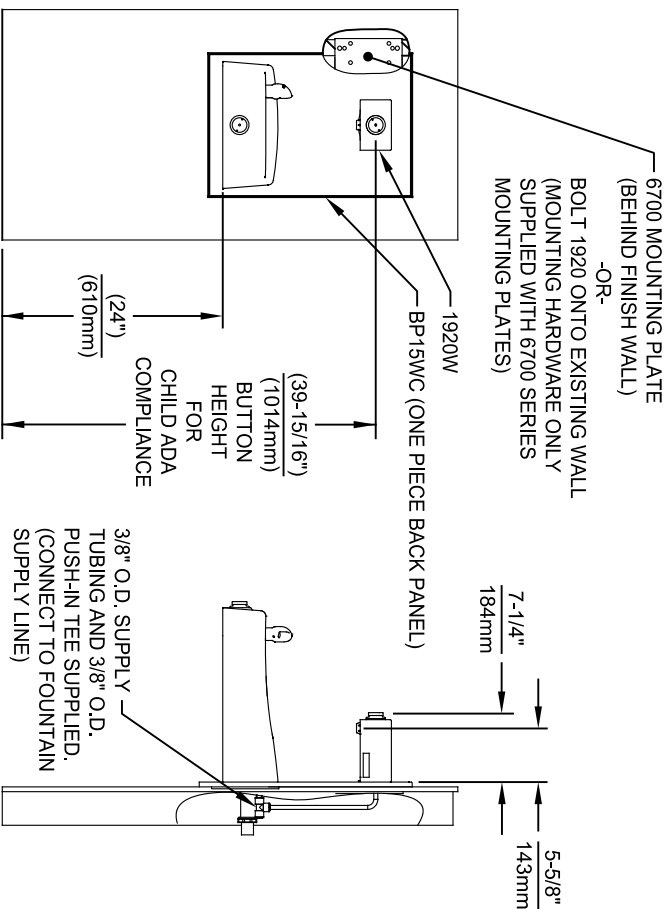
		MODEL(S) 1920HO/1920HPSHO/1920WHO	
Since 1906		1455 KLEPPLE LANE SPARKS, NEVADA 89431 (775) 359-4712 FAX (775) 359-7424 E-MAIL: HAWS@HAWSCO.COM WEBSITE: WWW.HAWSCO.COM	
EGN NO. REVISED PER BY: 5744 EGN: 6136 FV	DATE: 10/04/21 KM	CHECKED: KM	DATE: 11/04/24
APPROVED: FV	SCALE: N/A	DRAWING TYPE: INSTALLATION	SIZE: A1 SHEET: 7 OF 8
PART NUMBER: 0510001063.D	REVISION: 8		



INSTALLATION ABOVE HAWS 1107L & H1107.8 SERIES



INSTALLATION ABOVE HAWS 1109, 1109.14 & H1109.8 SERIES
MUST USE PARALLEL APPROACH WITH THIS BOWL COMBINATION



INSTALLATION ABOVE HAWS 1311


- NOTES:
1. HEIGHT DIMENSIONS SHOWN ARE FOR CHILD ADA APPLICATIONS:
- BOTTLE FILLER HEIGHT AT 40" MAX.
- DRINKING FOUNTAIN BUBBLER HEIGHT AT 30" MAX.
(SEE SHEETS 3, 4 & 5 FOR ADULT ADA HEIGHT DIMENSIONS)
 2. SEE SEPARATE INSTALLATION DRAWINGS FOR MOUNTING PLATES AND BACK PANELS (SHOWN FOR REFERENCE - NOT SUPPLIED).
 3. WHEN INSTALLING THIS UNIT, LOCAL, STATE OR FEDERAL CODES SHOULD BE ADHERED TO FOR INSTALLATION LOCATIONS, WASTE & SUPPLY REQUIREMENTS OTHER THAN SHOWN.

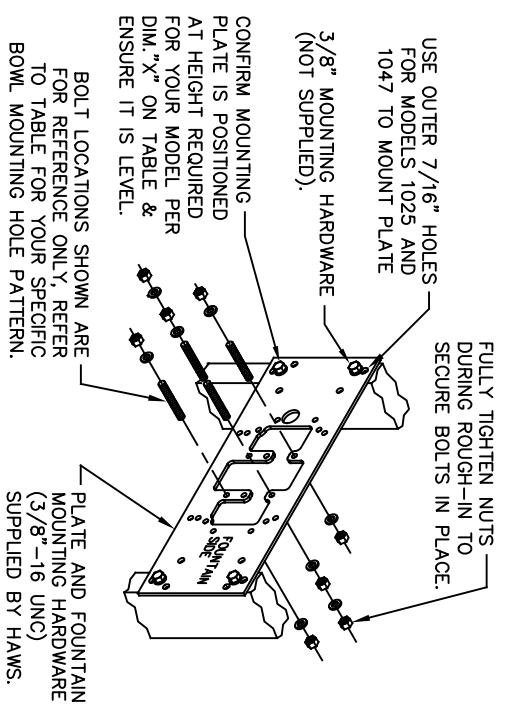
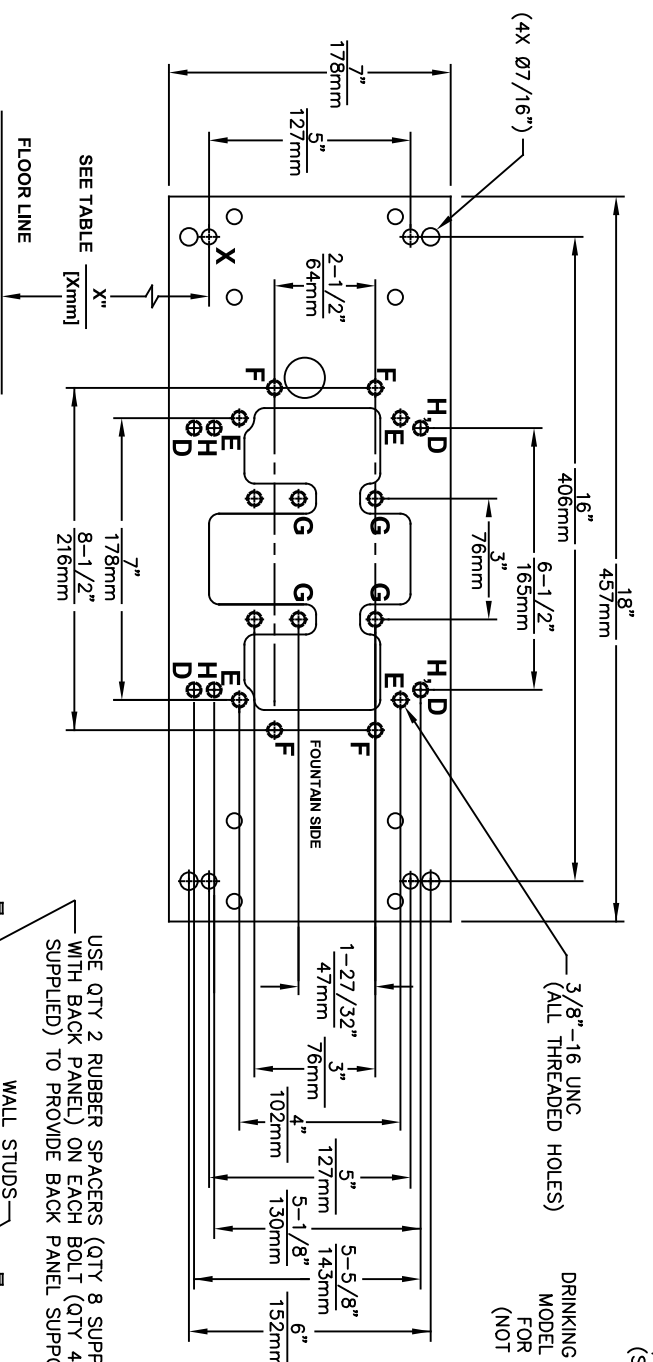


ECON. NO. REVISED PER BY:		MODEL(S)		1455 KLEPPLE PLANE	
5744	ECON. 6136	FV		1920HO/1920HPSHO/1920WHO	SPARKS, NE/VADA 89431
DATE	CHK'D.	SCALE	W/A	DRAWING TYPE	(775) 359-4712 FAX (775) 359-1424
02/26/24	KM			INSTALLATION	E-MAIL: HAWS@HAWSCO.COM
APPROVED:	DATE	SCALE	W/A	DRAWING TYPE	WEBSITE: WWW.HAWSCO.COM
FV	11/04/24			SIZE: A1 SHEET: 8 OF 8	
				PART NUMBER	0510001063.D
				REVISION	8

6700 INDEX

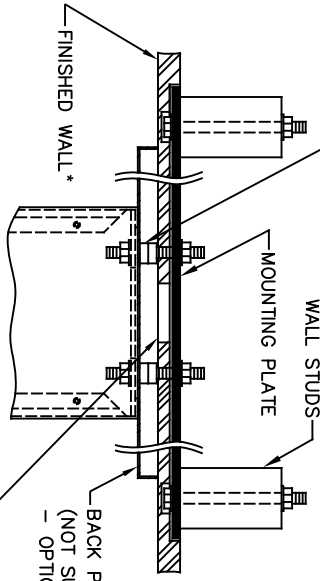
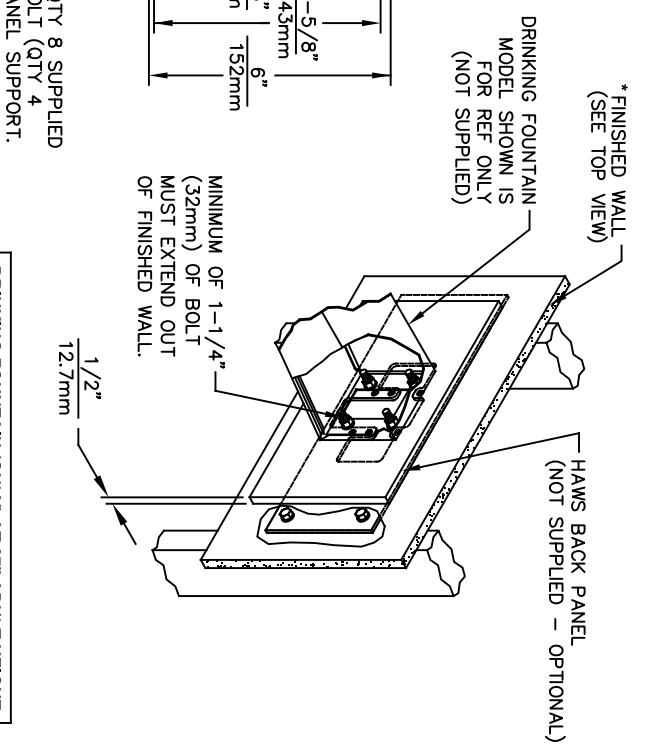
INSTALLATION WITH:	TYPICAL USES	SEE SHEET...
GENERAL INSTALLATION	IMPORTANT INFORMATION FOR ALL INSTALLATIONS	3 OF 6
1001 BOWLS	HAWS SERIES 1001X, 1001.8X	3 OF 6
1107 BOWLS	HAWS SERIES 1107X, 1107.8X	3 OF 6
1109 BOWLS	HAWS SERIES 1109X, 1109.8X	3 OF 6
1047 BOWLS	HAWS SERIES 1047	4 OF 6
1011 BOWLS	HAWS SERIES 1011X, 1011.8X	4 OF 6
1119 BOWLS	HAWS SERIES 1119X, 1119.8X	4 OF 6
1117 BOWLS	HAWS SERIES 1117X, 1117.8X	5 OF 6
1311 BOWLS	HAWS SERIES 1311	5 OF 6
1501 BOWLS	HAWS SERIES 1501	5 OF 6
CHILD HEIGHT	HAWS 1107PCH, 1109PCH, 1311PCH	6 OF 6

 Haws Since 1906		1455 KLEPPE LANE SPARKS, NEVADA 89431 (775) 359-4712 FAX (775) 359-7424 E-MAIL: HAWS@HAWS.CO.COM WEBSITE: WWW.HAWS.CO.COM	
ECN NO. REVISED PER BY: ECN: 6148 JG	MODEL(S) 67/00	PART NUMBER 0002080016	REVISION 26
DRAWN: JG DATE: 10/03/24	CHECKED: JG DATE: 02/11/25	SCALE: N/A	DRAWING TYPE: INSTALLATION
APPROVED: FV	DATE: 02/11/25	SIZE: A	SHEET: 1 OF 6



CAUTION

REGARDING CONCRETE/MASONRY WALL MOUNTING: DO NOT SECURE MOUNTING PLATE TO SAME SIDE OF WALL AS FOUNTAIN. AVOID COMPROMISING INTEGRITY OF WALL WHEN ANCHORING FOUNTAIN. IT IS RECOMMENDED THAT INSTALLER CALL TECHNICAL SUPPORT IF THERE ARE ANY QUESTIONS AS TO HOW TO OBTAIN A PROPER ANCHOR IN CONCRETE/MASONRY WALLS. 1-800-766-5612




TOP VIEW
 6700 MOUNTING PLATE
 FOR USE WITH
 DRINKING FOUNTAINS
 AND WASTE DRIP TRAYS
 AT 27" ADULT HEIGHT
 (SEE SHEETS 2 - 5 FOR USE WITH
 BOTTLE FILLER 1920/1920HO SERIES
 AND CHILD HEIGHT APPLICATIONS)

MODEL	USE BOWL MTG. HOLE PATTERN	USE "X" DIM. BELOW TO POSITION MOUNTING PLATE HOLE "X"
1001	"G"	25-3/8" [645mm]
1025	"D"	28-1/8" [714mm]
1047	"E"	24-3/8" [619mm]
1105	"H"	34-5/16" [872mm]
1107	"F"	26-3/16" [665mm]
1109	"H"	27-5/16" [694mm]
1109.14	"H"	27-5/16" [694mm]
1109FR	"H"	27-5/16" [694mm]
1311	"E"	26-3/4" [679mm]

WASTE DRIP TRAY (ONLY) AT 27" ADULT HEIGHT	PART NUMBER
"G"	6468
"G"	1922

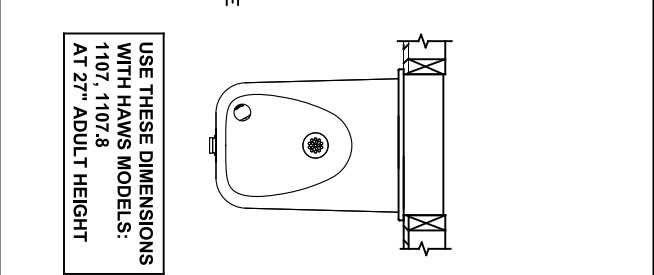
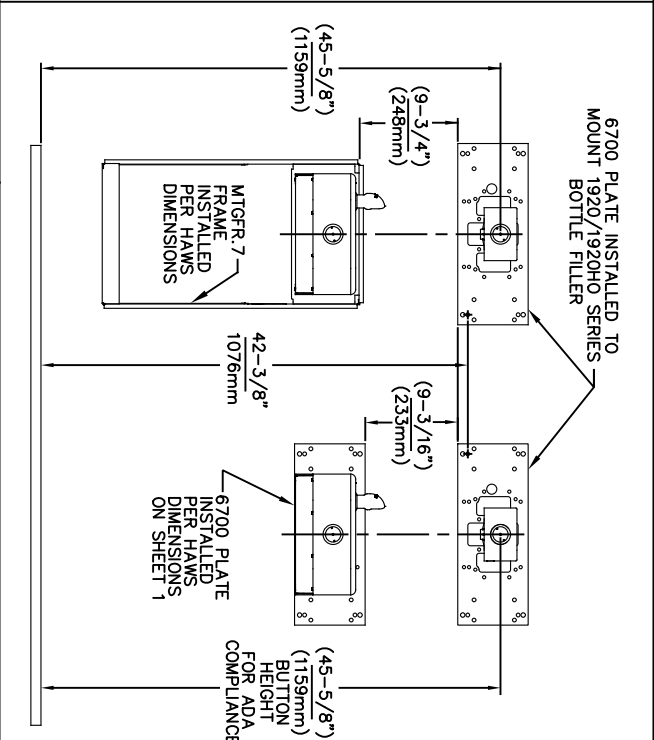
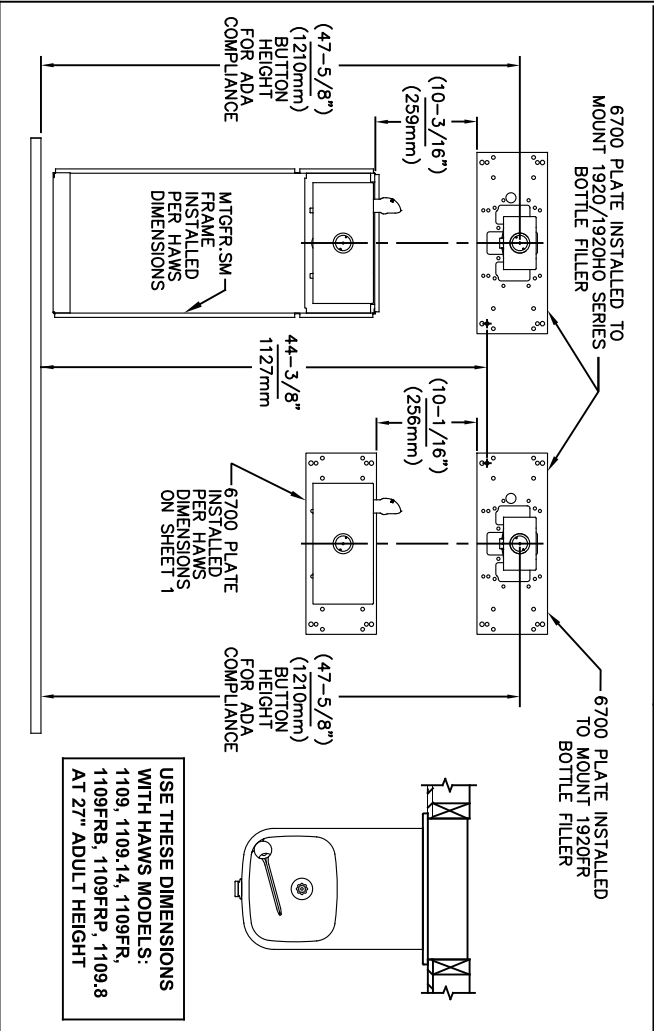
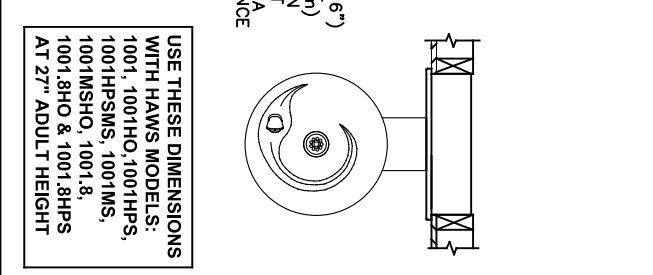
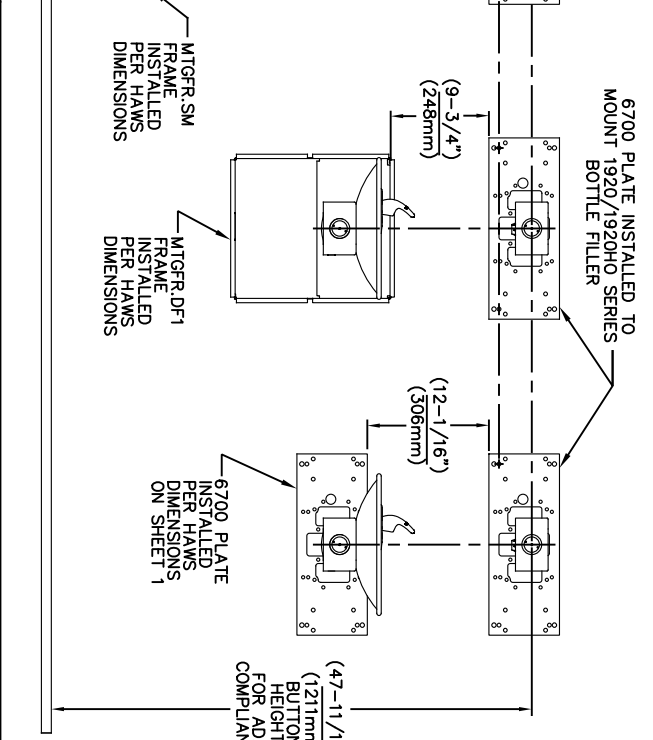
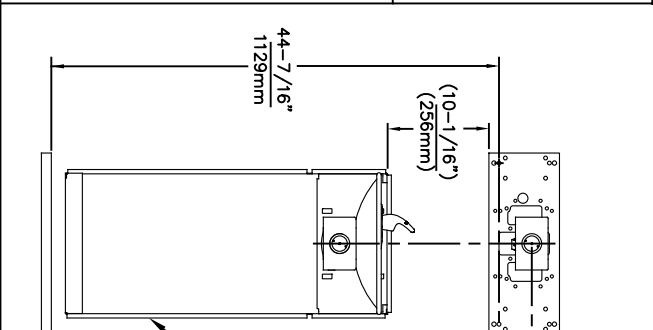
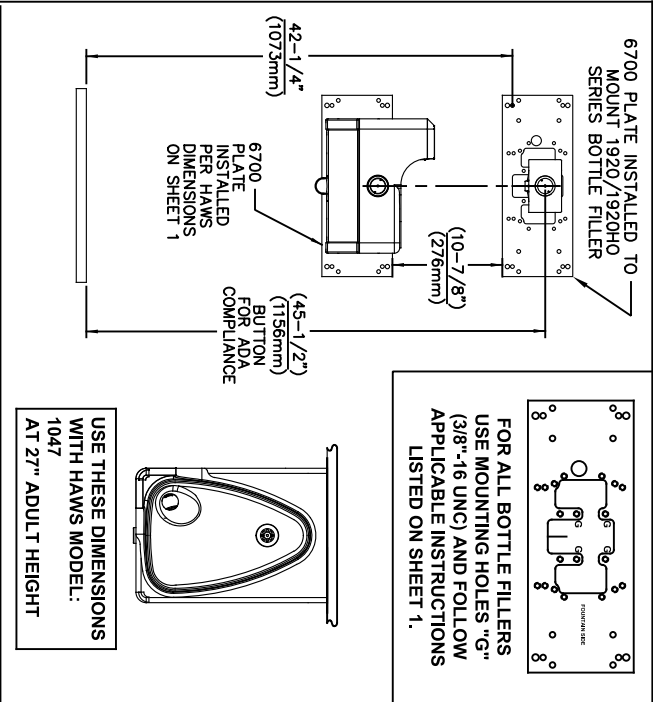
* FINISH WALL OVER MOUNTING PLATE AND BEHIND BACK PANEL. MAKE SURE THAT FINISHED WALL EXTENDS WITHIN THE BRACKET/BOWL MOUNTING HOLES (TO PROVIDE SURFACE AREA FOR RUBBER SPACERS TO CONTACT).



Haws
Since 1906

1455 KLEPPE LANE
 SPARKS, NEVADA 89431
 (775) 369-4712 FAX (775) 359-7424
 E-MAIL: HAWS@HAWS.CO.COM
 WEBSITE: WWW.HAWS.CO.COM

ECN NO. / REVISED PER BY:	MODEL(S)
6148 / JG	6700
DATE: 09/20/23	DATE:
CHK'D: JG	SCALE: N/A
C.L. 02/11/25	DRAWING TYPE: INSTALLATION
APPROVED: FV	SIZE: A
	SHEET: 2 OF 6



NOTES:
 1. WHEN INSTALLING THIS UNIT, LOCAL, STATE OR FEDERAL CODES SHOULD BE ADHERED TO.
 2. BACK PANELS (OPTIONAL) NOT SHOWN FOR CLARITY.

6700 MOUNTING PLATE
 FOR USE WITH BOTTLE FILLER
 (SEE SHEET 1 FOR USE WITH
 DRINKING FOUNTAINS)

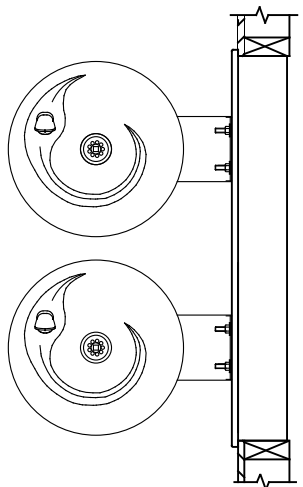
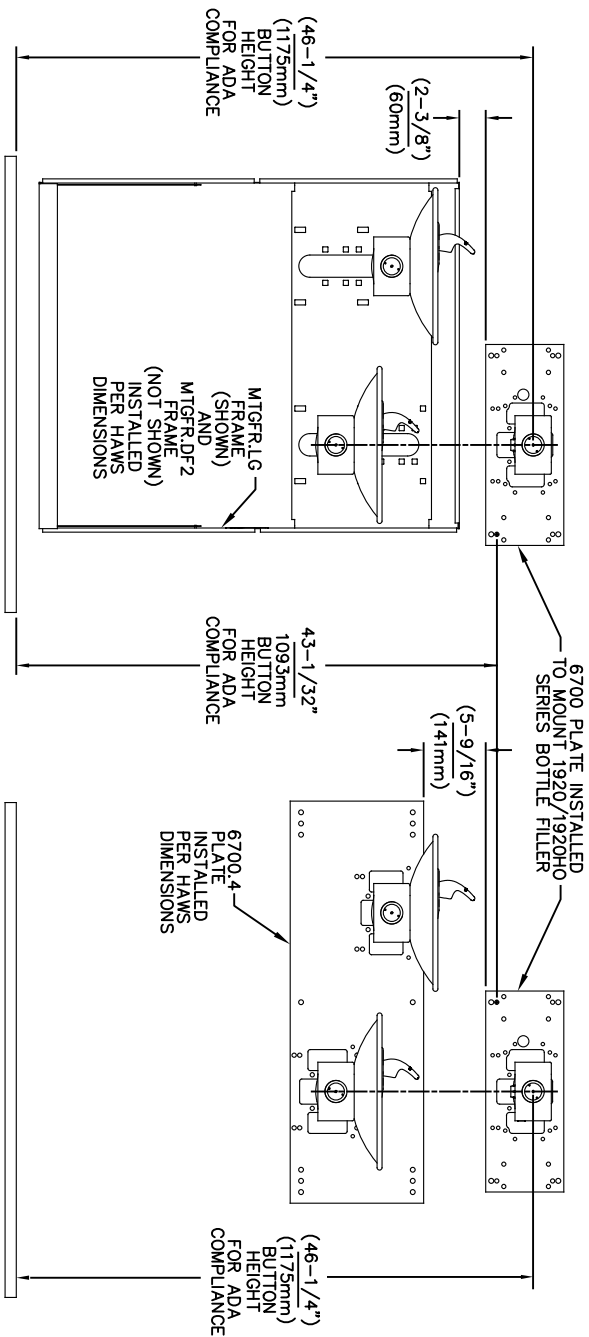
1455 KLEPPE LANE
 SPARKS, NEVADA 89431
 (775) 359-4712 FAX (775) 359-7424
 E-MAIL: HAWS@HAWS.CO.COM
 WEBSITE: WWW.HAWS.CO.COM

ECN NO. REVISED PER BY: MODEL(S)
 ECN 6148 JG 6700

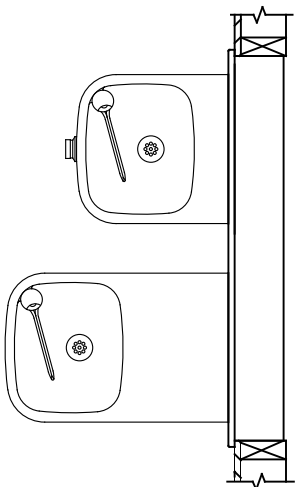
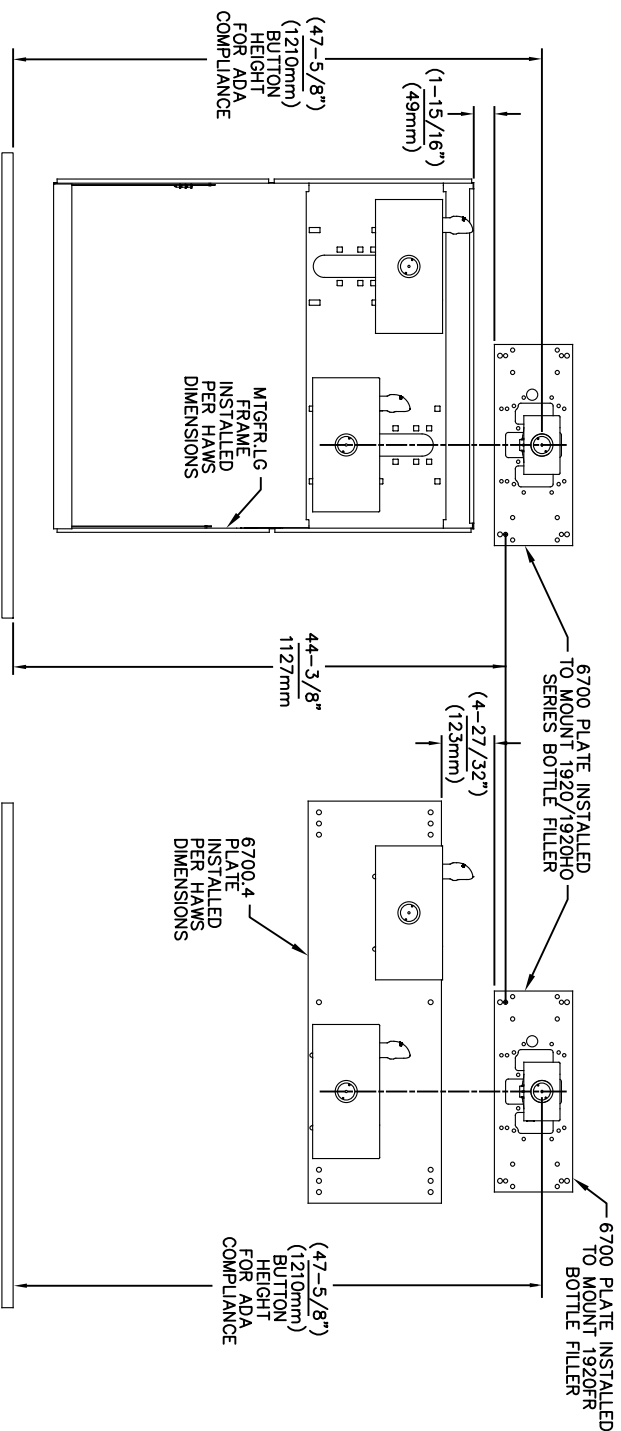
DRAWN: DATE: CHK'D:
 MU 02/09/17 JG

APPROVED: DATE: SCALE: N/A DRAWING TYPE: INSTALLATION
 EV 02/11/25

PART NUMBER: 0002080016
 REVISION: 26



USE THESE MOUNTING DIMENSIONS IF INSTALLING OVER HAWS FOUNTAIN
 MODEL: 1011, 1011HO, 1011HO2, 1011HPS, 1011HPSHO, 1011HPSHO2, 1011HPSMS, 1011MS, 1011MSHO, 1011MSHO2, 1011.8, 1011.8HO, 1011.8HO2 & 1011.8HPSMS AT 27" ADULT HEIGHT
 INSTALL THE 6700 ABOVE THE FOUNTAIN MOUNTING PLATE OR FRAME AT THE DIMENSION SHOWN FOR CORRECT BACKPANEL SPACING
BACK PANELS FOR BOTTLE FILLERS (NOT SUPPLIED - OPTIONAL) ARE NOT SHOWN FOR CLARITY.

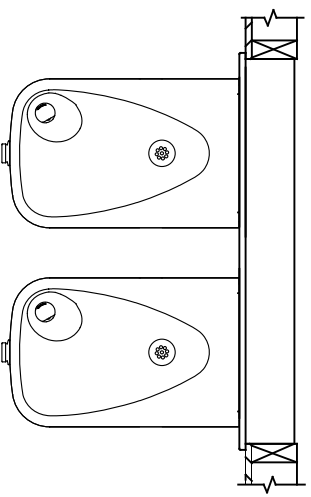
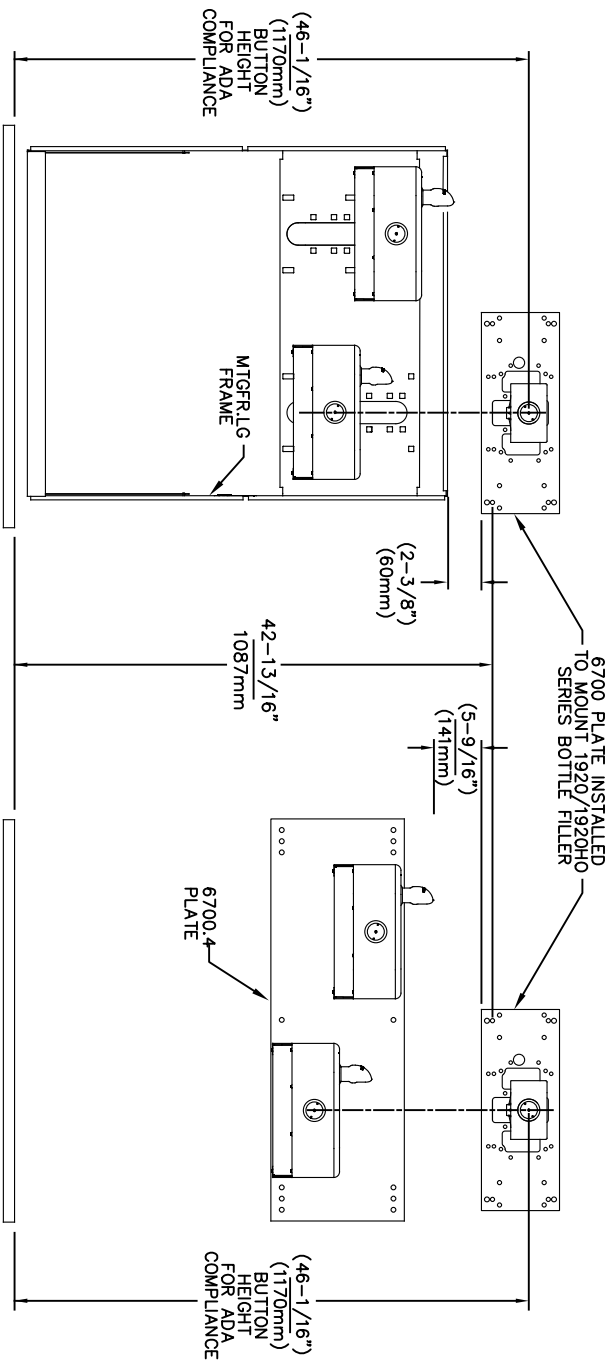


USE THESE MOUNTING DIMENSIONS IF INSTALLING OVER HAWS FOUNTAIN
 MODEL: 1119, 1119.14, 1119.14HO, 1119.14HO2, 1119FR, 1119FRB, 1119FRP, 1119HO, 1119HO2 & 1119.8 AT 27" ADULT HEIGHT
 INSTALL THE 6700 ABOVE THE FOUNTAIN MOUNTING PLATE OR FRAME AT THE DIMENSION SHOWN FOR CORRECT BACKPANEL SPACING
BACK PANELS FOR BOTTLE FILLERS (NOT SUPPLIED - OPTIONAL) ARE NOT SHOWN FOR CLARITY.

- NOTES:
 1. WHEN INSTALLING THIS UNIT, LOCAL, STATE OR FEDERAL CODES SHOULD BE ADHERED TO.
 2. BACK PANELS (OPTIONAL) NOT SHOWN FOR CLARITY.

6700 MOUNTING PLATE
 FOR USE WITH BOTTLE FILLER
 (SEE SHEET 1 FOR USE WITH
 DRINKING FOUNTAINS)

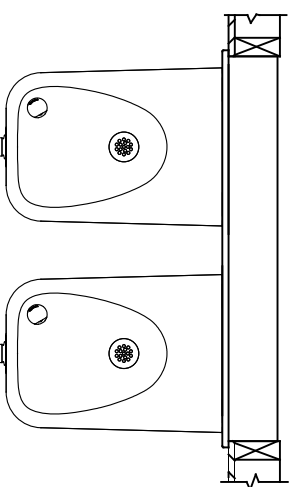
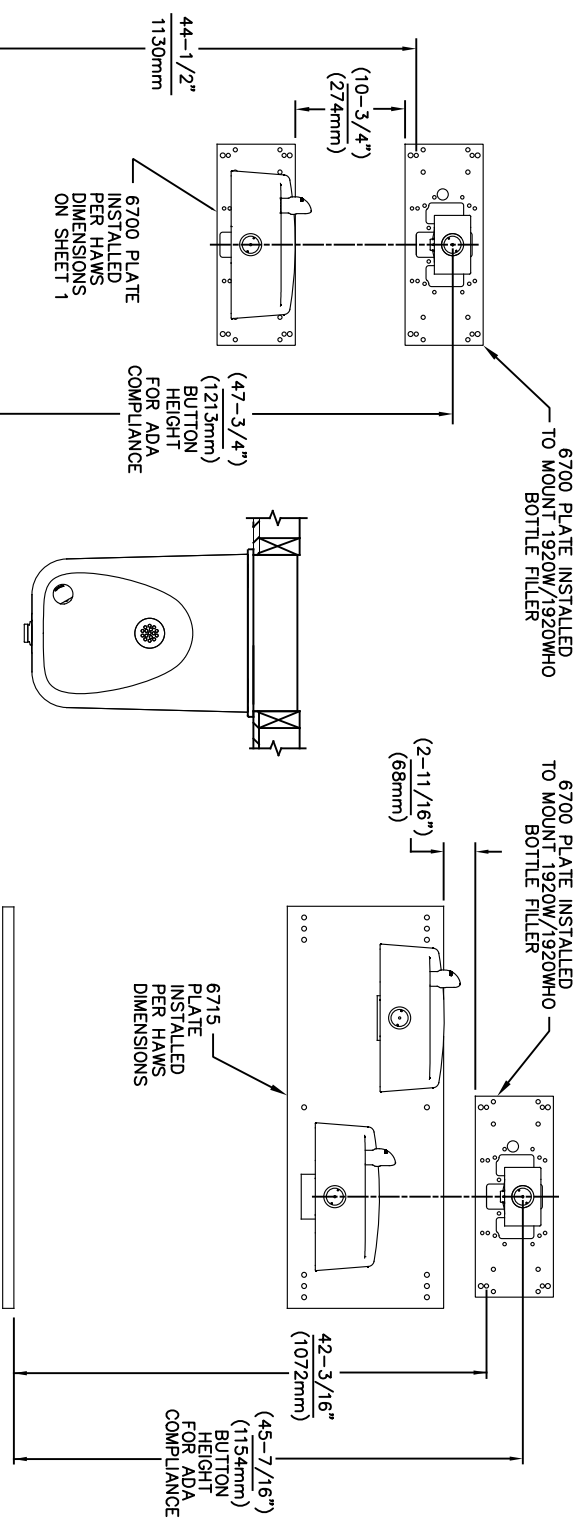
		MODEL(S)	
6700			
ECN NO. REVISED PER BY:	DATE:	CHKD.:	DATE:
5550	05/14/20	JG	JG
DRAWN: FV	DATE:	CHKD.:	DATE:
FV	02/11/25	JG	JG
APPROVED: FV	SCALE: 1:13	DRAWING TYPE:	INSTALLATION
			SHEET 4 OF 6
1459 KLEPPE LANE SPARKS, NEVADA, 89431 (775) 359-4712 FAX (775) 359-7424 E-MAIL: HAWS@HAWS.CO.COM WEBSITE: WWW.HAWS.CO.COM		PART NUMBER 0002080016 REVISION: 26	



USE THESE MOUNTING DIMENSIONS IF INSTALLING OVER HAWS FOUNTAIN MODEL: 1117, 1117.8 AT 27" ADULT HEIGHT

INSTALL THE 6700 ABOVE THE FOUNTAIN MOUNTING PLATE OR FRAME AT THE DIMENSION SHOWN FOR CORRECT BACKPANEL SPACING

BACK PANELS FOR BOTTLE FILLERS (NOT SUPPLIED - OPTIONAL) ARE NOT SHOWN FOR CLARITY.



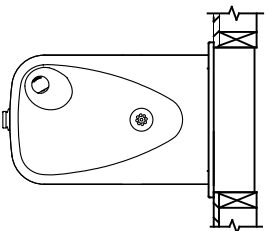
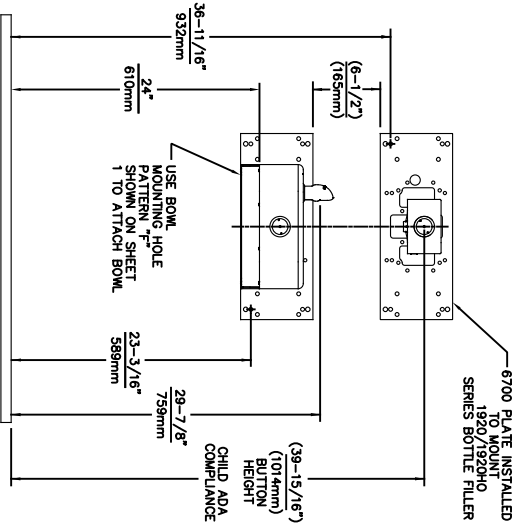
USE THESE MOUNTING DIMENSIONS IF INSTALLING OVER HAWS FOUNTAIN MODEL: 1311, 1501 AT 27" ADULT HEIGHT

INSTALL THE 6700 ABOVE THE FOUNTAIN MOUNTING PLATE AT THE DIMENSION SHOWN FOR CORRECT BACKPANEL SPACING (IF APPLICABLE). BACK PANEL FOR BOTTLE FILLER (NOT SUPPLIED - OPTIONAL) IS NOT SHOWN FOR CLARITY.

- NOTES:
1. WHEN INSTALLING THIS UNIT, LOCAL, STATE OR FEDERAL CODES SHOULD BE ADHERED TO.
 2. BACK PANELS (OPTIONAL) NOT SHOWN FOR CLARITY.

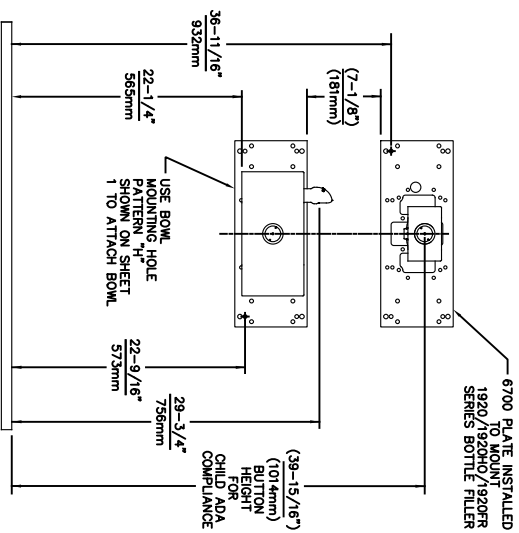
6700 MOUNTING PLATE FOR USE WITH BOTTLE FILLER (SEE SHEET 1 FOR USE WITH DRINKING FOUNTAINS)

		1459 KLEPPE LANE SPARKS, NEVADA, 89431 (775) 359-4712 FAX (775) 359-7424 E-MAIL: HAWS@HAWSCO.COM WEBSITE: WWW.HAWSCO.COM	
ECN NO. REVISED PER BY:	MODEL(S)	PART NUMBER	
5550		0002080016	
DATE: 05/14/20	DATE: 05/14/20	REVISION:	26
APPROVED: FV	SCALE: 1:13	DRAWING TYPE:	INSTALLATION
DATE: 02/11/25	SCALE: 1:13	DRAWING TYPE:	SHEET 5 OF 6

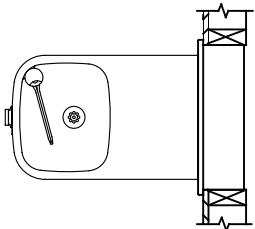


USE THESE DIMENSIONS WITH HAWS MODEL 1107PCH AT 24\"/>

6700 MOUNTING PLATE FOR USE WITH BOTTLE FILLER AT 40\"/>

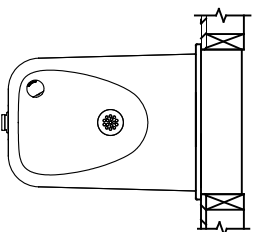
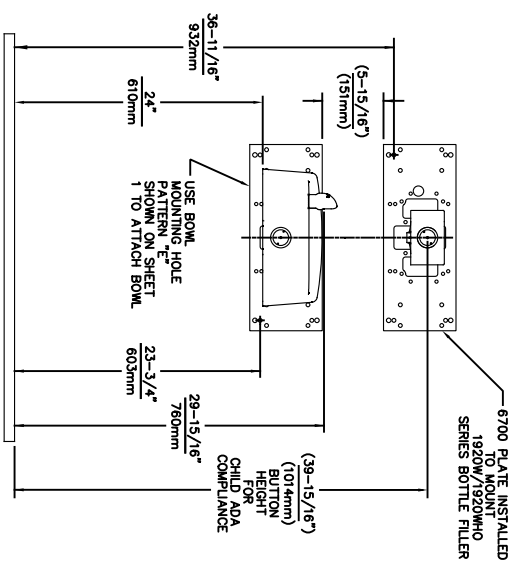


6700 PLATE INSTALLED TO MOUNT 1920/1920R SERIES BOTTLE FILLER



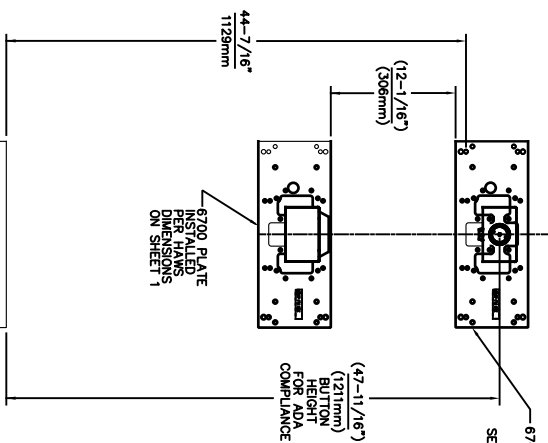
USE THESE DIMENSIONS WITH HAWS MODEL: 1109, 1109.14, 1109FR, 1109FRB, 1109FRP AT 22-1/4\"/>

6700 MOUNTING PLATE FOR USE WITH BOTTLE FILLER AT 40\"/>



USE THESE DIMENSIONS WITH HAWS MODEL 1107PCH AT 24\"/>

6700 MOUNTING PLATE FOR USE WITH BOTTLE FILLER AT 40\"/>




6700 PLATE INSTALLED TO MOUNT 1920/1920HO SERIES BOTTLE FILLER

USE THESE MOUNTING DIMENSIONS IF INSTALLING OVER HAWS WASTE DRIP TRAY. MODEL: 6468 (SHOWN), 1922 (MODEL 1922 INCLUDES 1920 BOTTLE FILLER). THE 1920 BOTTLE FILLER Bp-15 Back Panels (NOT SHOWN), AT 27\"/>

6700 MOUNTING PLATE FOR USE WITH BOTTLE FILLER (SEE SHEET 1 FOR USE WITH DRINKING FOUNTAINS AND WASTE DRIP TRAY)

- NOTES:
- WHEN INSTALLING THIS UNIT, LOCAL, STATE OR FEDERAL CODES SHOULD BE ADHERED TO.
 - ONE PIECE BACK PANELS Bp-15C (FOR USE WITH MODELS 1107L, 1109 SERIES & BOTTLE FILLER) & Bp-15WC (FOR USE WITH MODEL 1311 & BOTTLE FILLER) ARE USED FOR CHILD HEIGHT APPLICATIONS AND ARE OPTIONAL (NOT SHOWN FOR CLARITY).



Haws
Since 1906

1459 KLEPPE LANE
SPARKS, NEVADA, 89431
(775) 359-4712 FAX (775) 359-7424
E-MAIL: HAWS@HAWSCO.COM
WEBSITE: WWW.HAWSCO.COM

ECN NO. REVISED PER BY:	MODEL(S)
5893 1 ECN: 6148 1 JG	6700
DATE: CHKD:	
07/26/23 JG	
APPROVED: FV	SCALE: 1:13
02/11/25	DRAWING TYPE:
	INSTALLATION:
	SHEET 6 OF 6

PART NUMBER: 0002080016
REVISION: 26