



model 1430-1920W

Vandal-Resistant Enameled Iron Fountain and Bottle Filler

FEATURES & BENEFITS

CONSTRUCTION

Heavy-duty cast iron bowl with a glossy white enamel finish is designed for the toughest of applications, and at the same time is gentle to all users with its soft rounded corners. Unit also ships with vandal-resistant bottom plates to provide added peace of mind.

INTEGRATED TRAP

All cast brass 1-1/4" NPT adjustable traps completely concealed inside bottom plates for easy installation and lack of unwanted access.

DUAL ACCESS

Low profile design and dual bubbler performance is a great addition to high traffic situations.

BUBBLER HEADS

Polished chrome-plated brass bubbler heads with integral 11/16" dia. basin shank and stainless anti-rotation roll pin for vandal resistance strength. Shielded, angled stream opening provides a steady, sanitary source of drinking water at .45 gpm.

FOUNTAIN VALVES

The push-button activated valve offers the only all stainless steel valve body that is machined out of solid bar stock, is fully serviceable through the front of the push button assembly offering access to the water control cartridge and integral water supply strainer, and with front access to the water stream height adjustment for easy maintenance without having to remove the valve. Operating pressure range of 30 to 90 psi (2.1 to 6.2 bar).

BOTTLE FILLER

14-gauge Type 304 stainless steel bottle filler housing with push-button operation and 1 gpm (3.78 L) laminar flow.

VANDAL-RESISTANT

The bubbler heads, push buttons, drain strainer and bottom plates are locked in place, discouraging unwanted vandal tampering.

OPTIONS

Mounting Plate: Model 6700, in-wall mounting plate for model 1920WHO.

Remote Drinking Fountain Water chiller: Model HCR8, 8 gph (30.3 L) remote water chiller provides instantaneous cooling to meet a continuous demand for chilled water.

Water Filter: Model 6426, 10" x 2" (25.4 x 5.1 cm), in-line lead removal element that reduces lead from incoming water supply.

For more information, visit www.hawesco.com or call (888) 640-4297.



REQUIRED MODELS

1430 / 1920W

Order these items to make up the Model 1430-1920W white enameled-iron fountain and white painted stainless steel bottle filler.

SPECIFICATIONS

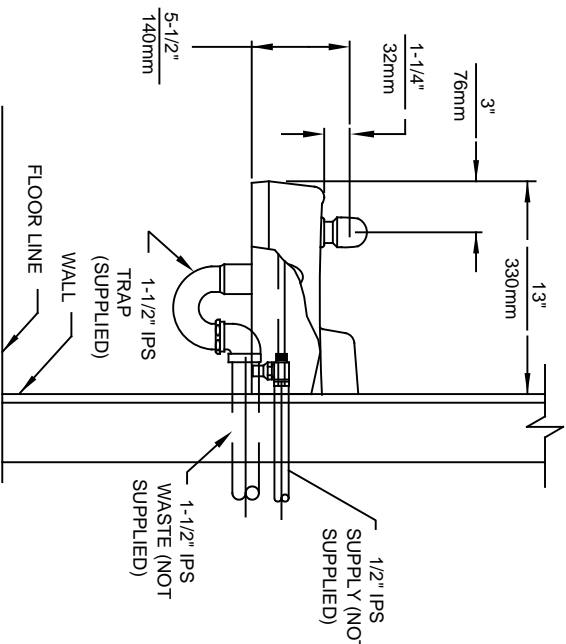
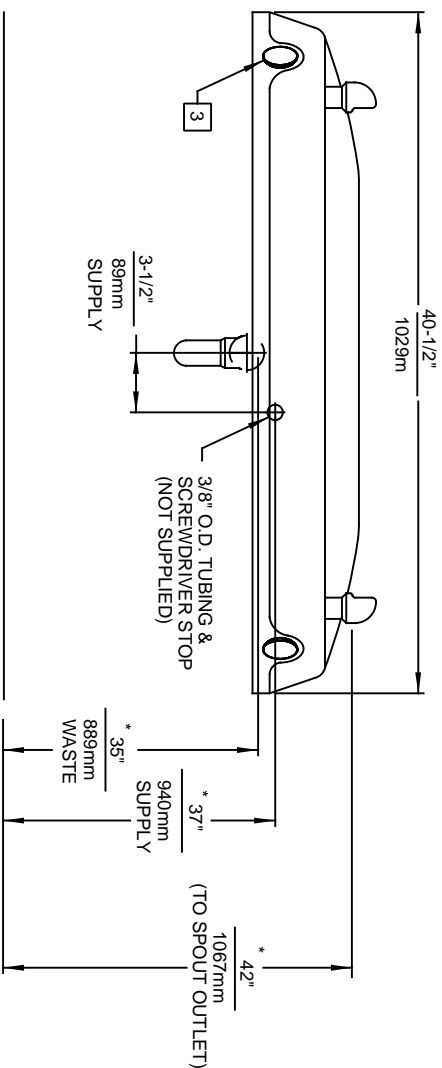
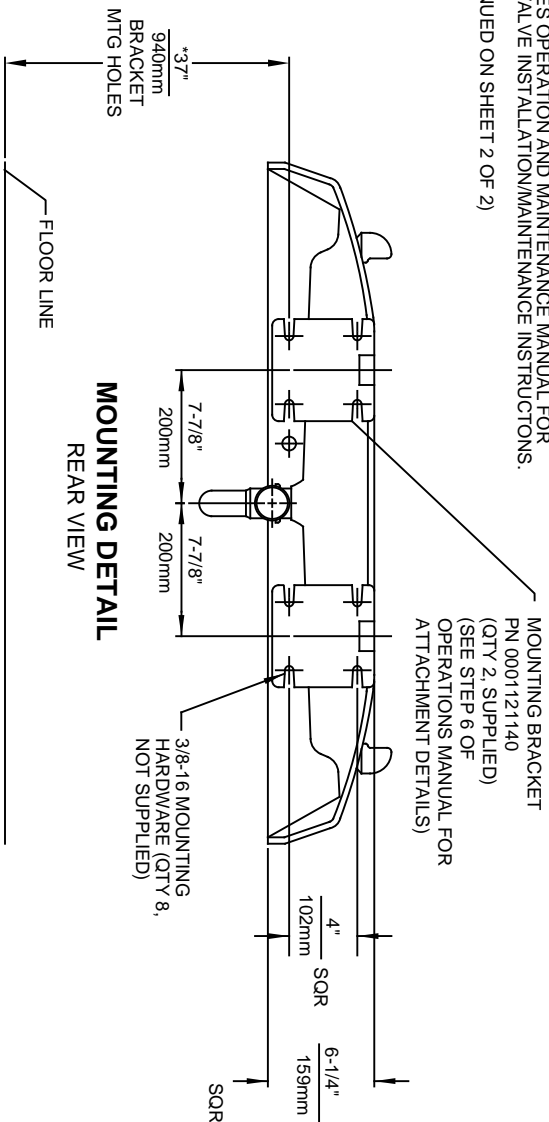
Model 1430-1920W wall mounted vandal-resistant drinking fountain and bottle filler shall include a white enameled-iron basin mounted with twin galvanized cast-iron wall brackets, vandal-resistant push-button operated stainless steel valves with front accessible cartridge and flow adjustment, 100% lead-free waterways, dual polished chrome plated brass vandal-resistant bubbler heads, polished chrome plated brass vandal-resistant waste strainer, vandal resistant bottom plate, and chrome-plated 1-1/2" NPT trap. Haws manufactures drinking fountains, faucets and electric water coolers to be lead-free by all known definitions including NSF/ANSI/CAN 61-Section 9, NSF/ANSI/CAN 372, California Proposition 65, and the Federal Safe Drinking Water Act. Product is compliant to California Health and Safety Code 116875 (AB 1953-2006), and NSF/ANSI/CAN 61: Q ≤ 1.



NOTES:

1. ROUGH-IN DIMENSIONS MAY VARY ±1/4" (6.4mm).
2. WHEN INSTALLING THIS UNIT LOCAL, STATE OR FEDERAL CODES SHOULD BE ADHERED TO. FOR INSTALLATION HEIGHTS OTHER THAN SHOWN, DIMENSIONS MARKED (*) MUST BE ADJUSTED ACCORDINGLY.
3. REFER TO 5874 SERIES OPERATION AND MAINTENANCE MANUAL FOR PUSH BUTTON AND VALVE INSTALLATION/MAINTENANCE INSTRUCTIONS.

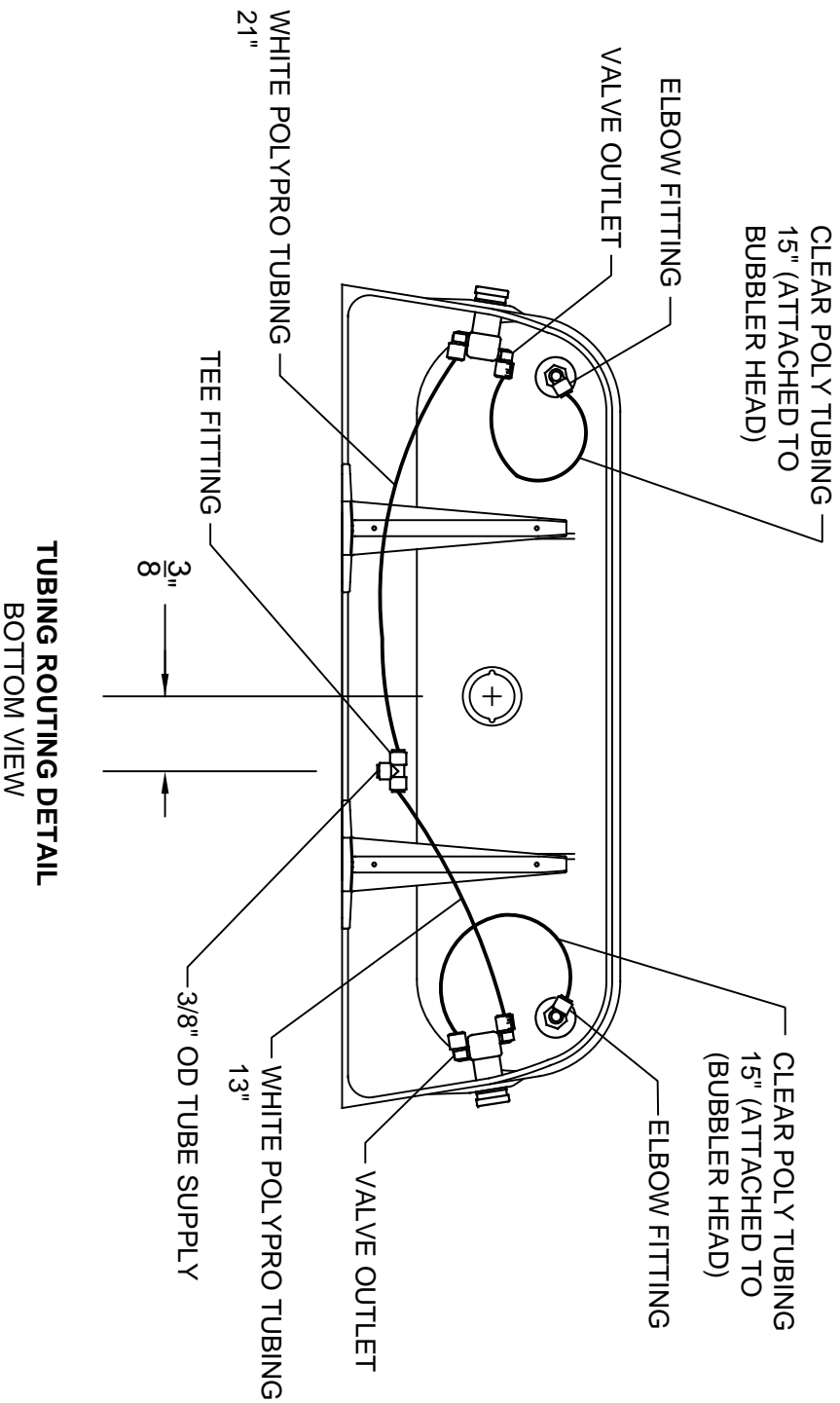
(NOTES CONTINUED ON SHEET 2 OF 2)



		HAWWS	
1456 KLEPPE LANE SPARKS, NEVADA, 89431 (775) 359-4712 FAX (775) 359-7424 E-MAIL: HAWWS@HAWSCO.COM WEBSITE: WWW.HAWSCO.COM			
ECN NO. REVISED PER BY:	MODEL(S)	1430	PART NUMBER
ECN: 5188			0002076850.D
DATE: 11-01-91	CHKD: JP		REVISION: 18
CIL	VWC		
APPROVED: FV	DATE: 07/08/17	SCALE: 1:11	DRAWING TYPE: INSTALLATION
TWO BUBBLER FOUNTAIN		SIZE: A	SHEET: 1 OF 2

NOTES: (CONTINUED)

4. CONNECT WHITE "POLYPROPYLENE" TUBING ON PRESSURE SIDE (INLET) OF VALVE.
5. CONNECT CLEAR "POLYETHYLENE" TUBING ON FREE FLOW SIDE (VALVE TO BUBBLER HEAD) ONLY.



TUBING ROUTING DETAIL
BOTTOM VIEW

		Haws	
1459 KLEPPE LANE SPARKS, NEVADA, 89431 (775) 359-4712 FAX (775) 359-7424 E-MAIL: HAWS@HAWS.CO.COM WEBSITE: WWW.HAWS.CO.COM		MODEL(S) 1430	
ECN NO. REVISED PER BY:	ECN: S188	CHKD: JP	DATE: 11-01-91
DRAWN: CLJ	DATE: 11-01-91	CHKD: VWC	DATE:
APPROVED: FV	DATE: 07/06/17	SCALE: 1:1	DRAWING TYPE: INSTALLATION
TWO BUBBLER FOUNTAIN		PART NUMBER	0002076850.D
REVISION		18	SHEET 2 OF 2