

FEATURES & BENEFITS

CONSTRUCTION

Cast aluminum bowl with integral mounting brackets along with a powder-coated finish combine for a strong long lasting product, while a vandal-resistant bottom plate discourages unwanted access.

VANDAL RESISTANT

The bubbler heads, drain strainer and bottom plate are locked in place, discouraging unwanted vandal tampering.

BUBBLER HEADS

Polished chrome-plated brass bubbler heads with integral 11/16" dia. basin shank and stainless anti-rotation roll pin for vandal resistance strength. Shielded, angled stream opening provides a steady, sanitary source of drinking water at .45 gpm.

FOUNTAIN VALVES

Fountain incorporates touchless sensor operated stainless steel solenoid valves controlled by a transformer for hands-free operation. A pressure regulator is used to adjust the bubbler flow according to incoming water pressures.

HIGH CAPACITY BASIN

Combined low profile design and the use of three bubblers supply the needs of many, which is perfect for schools and other high traffic areas.

FINISH

Gleaming white powder-coated finish is attractive and functional for any situation, and the soft rounded corners provide added safety and peace of mind.



SPECIFICATIONS

Model 1409HO is a three bubbler wall mounted, vandal-resistant wheelchair accessible motion-activated drinking fountain made of white powder-coated cast aluminum. Unit shall include touchless sensor operated stainless steel solenoid valves with 30 second obstruction time-out controlled by a transformer, 100% lead free waterways, polished chrome plated brass bubbler heads locked to the bowl and solid chrome-plated brass waste strainer. Unit shall also include a vandal-resistant bottom plate and a 1-1/2" NPT trap.

FOR INDOOR USE ONLY

OPTIONS

- Water Filter: Model 6426, 10" x 2" (25.4 x 5.1 cm), in-line lead removal element that reduces lead from incoming water supply.
- Remote Drinking Fountain Water chiller: Model HCR8, 8 gph (30.3 L) remote water chiller provides instantaneous cooling to meet a continuous demand for chilled water.

For more information, visit www.hawsc.com or call (888) 640-4297.

APPLICATIONS

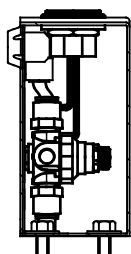
Perfect for schools, sports venues, shopping malls and other high traffic areas where mounting height and durability matter. The 1409HO offers a solution for wheelchair access while providing robust vandal-resistance. When installed at the appropriate height, the heavy-duty, yet lightweight design negates the need for installation reinforcement generally required with significantly heavier cast iron fountains. The vandal-resistant bottom plate and waste strainer also bring added peace-of-mind. Haws manufactures drinking fountains, faucets and electric water coolers to be lead-free by all known definitions including NSF/ANSI/CAN 61- Section 9, NSF/ANSI/CAN 372, California Proposition 65, and the Federal Safe Drinking Water Act. Product is compliant to California Health and Safety Code 116875 (AB 1953-2006), and NSF/ANSI/CAN 61: Q ≤ 1.



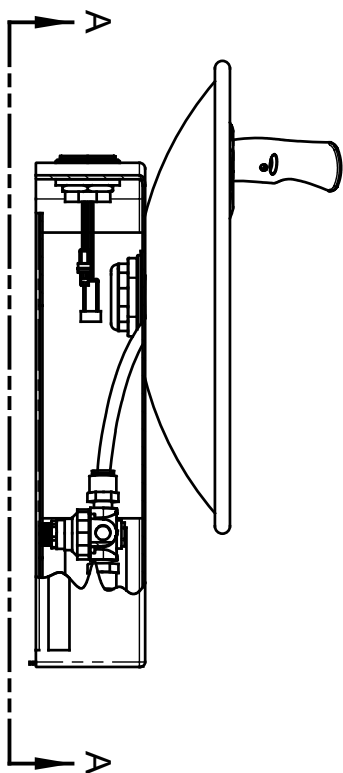
NOTES:

- 3RKHO.P AND 3RKHO.H RETROFIT KITS ALLOW INDOOR FOUNTAINS TO BE CONVERTED FROM A HAWS 587.4 PUSH BUTTON VALVE TO HANDS-OFF (TOUCHLESS) OPERATION. FOUNTAINS (NOT SUPPLIED) MAY BE MOUNTED ON THE EXTERNAL WALL OF A BUILDING PROVIDED THE TRANSFORMER SHALL BE MOUNTED INSIDE THE WALL AND PROTECTED FROM WATER AS SHOWN IN THIS INSTALLATION PER NEC/CEC AND LOCAL CODE. AVOID DIRECT CONTACT WITH SUNLIGHT ON THE SENSOR LENS.
- RETROFIT KIT MODEL:
 3RKHO.P: TRIPLE INDOOR HO RETRO-FIT KIT (INCLUDES 3X HO SENSOR WITH MOUNTING HARDWARE, 3X SOLENOID VALVE, 3X REGULATOR, WIRE SPLITTER, AND 100-240V PLUG-IN TRANSFORMER - SEE SHEET 2).
 3RKHO.H: TRIPLE INDOOR HO RETRO-FIT KIT (INCLUDES 3X HO SENSOR WITH MOUNTING HARDWARE, 3X SOLENOID VALVE, 3X REGULATOR, WIRE SPLITTER, AND 100-277V HARDWIRE TRANSFORMER - SEE SHEET 3).
 3RKHO.P REQUIRES 100-240VAC POWER CONNECTION. 3RKHO.H REQUIRES 100-277V POWER CONNECTION.
- TRANSFORMERS MUST BE MOUNTED SUCH THAT THEY ARE PROTECTED FROM WATER.
- 3RKHO.P TRANSFORMER IS COMPATIBLE WITH TYPE A AND TYPE B NORTH AMERICAN ELECTRICAL OUTLETS. FOR OTHER RECEPTACLE TYPES, AN ADAPTER (NOT SUPPLIED) MUST BE PROVIDED BY OTHERS.

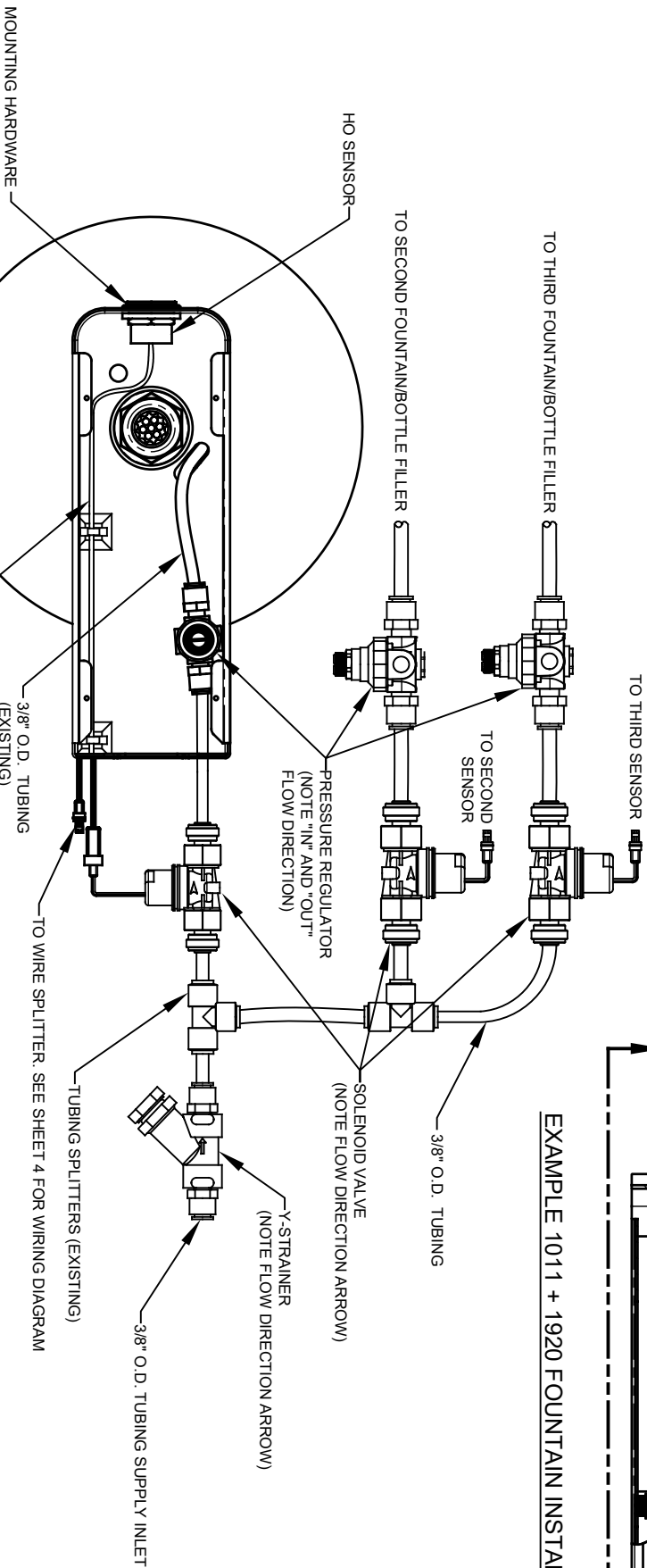
(NOTES CONTINUED ON SHEET 4)



EXAMPLE 1920 BOTTLE FILLER INSTALLATION

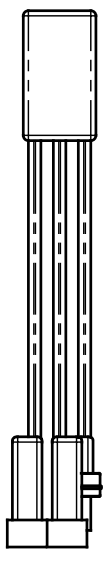


EXAMPLE 1011 + 1920 FOUNTAIN INSTALLATION

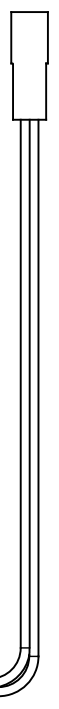


VIEW A - A
(BOTTOM PLATE OMITTED FOR CLARITY)

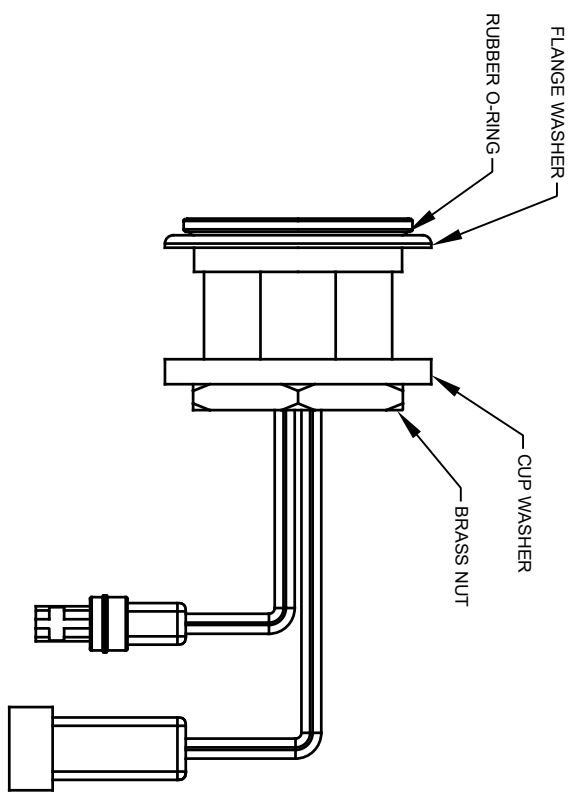
		MODEL(S)	
1456 KLEPPE LANE SPARKS, NEVADA, 89431 (775) 359-4712 FAX (775) 359-7424 E-MAIL: HAWS@HAWS.CO.COM WEBSITE: WWW.HAWS.CO.COM		3RKHO.P / 3RKHO.H TRIPLE HANDS-OFF RETRO-FIT KIT	
ECN NO. 5849	REVISED PERBY: 02/10/21	DATE: 10/20/21	SCALE: N/A
ECN: 5749	CHKD: EV	DATE: 10/20/21	DRAWING TYPE: INSTALLATION
APPROVED: BLM	DATE: 10/20/21	SCALE: N/A	DRAWING TYPE: INSTALLATION
PART NUMBER 0580001157.D		REVISION 4	



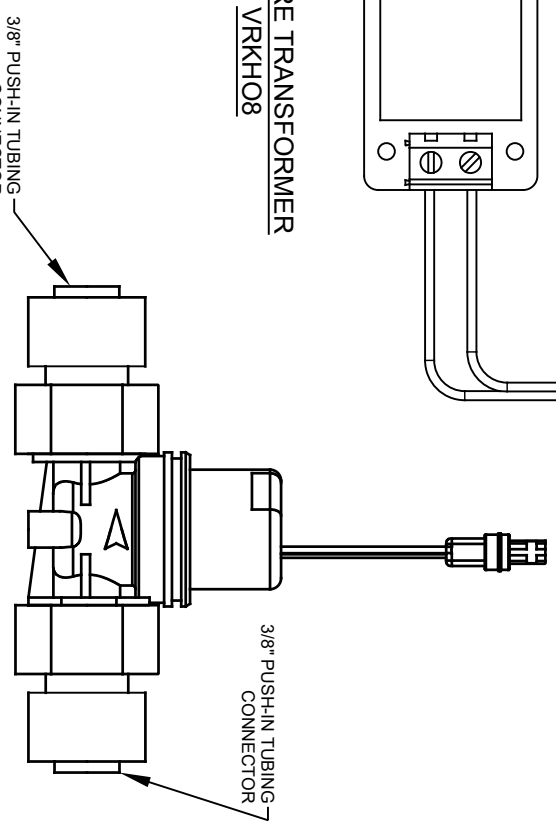
TRIPLE POWER SPLITTER



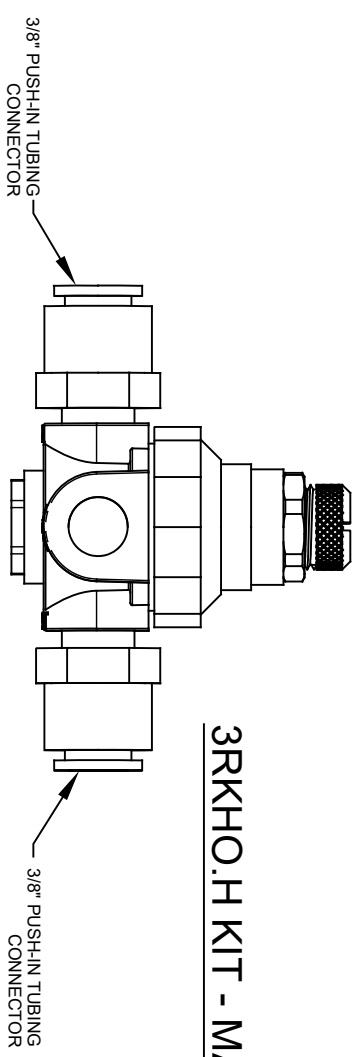
HARDWARE TRANSFORMER
VRKH08



HO SENSOR ASSEMBLY (3X)
VRKH06

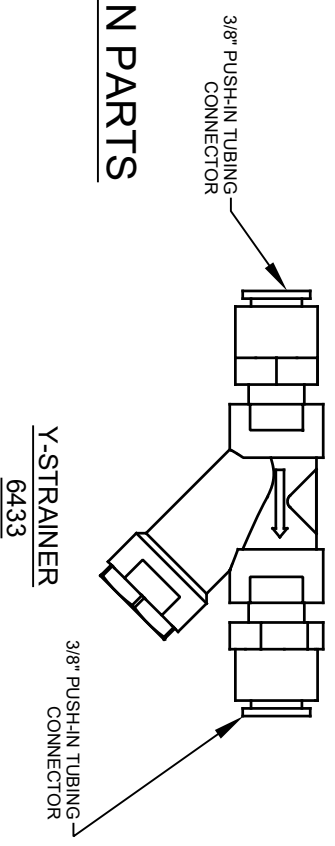


SOLENOID VALVE ASSEMBLY (3X)
VRKH05



VALVE REGULATOR (3X)
5867

3RKHO.H KIT - MAIN PARTS



Y-STRAINER
6433



Haws

1456 KLEPPE LANE
SPARKS, NEVADA 89431
(775) 359-4712 FAX (775) 359-7424
E-MAIL: HAWS@HAWSCO.COM
WEBSITE: WWW.HAWSCO.COM

ECN NO. REVISED PER BY:	MODEL(S)	PART NUMBER
5849 5849	3RKHO.P / 3RKHO.H	0580001157.D
DATE: 02/10/21	TRIPLE HANDS-OFF RETRO-FIT KIT	REVISION: 4
APPROVED: BLM	SCALE: N/A	DRAWING TYPE: INSTALLATION
DATE: 10/20/21	SIZE: A	SHEET: 3 OF 4