

NOTES:

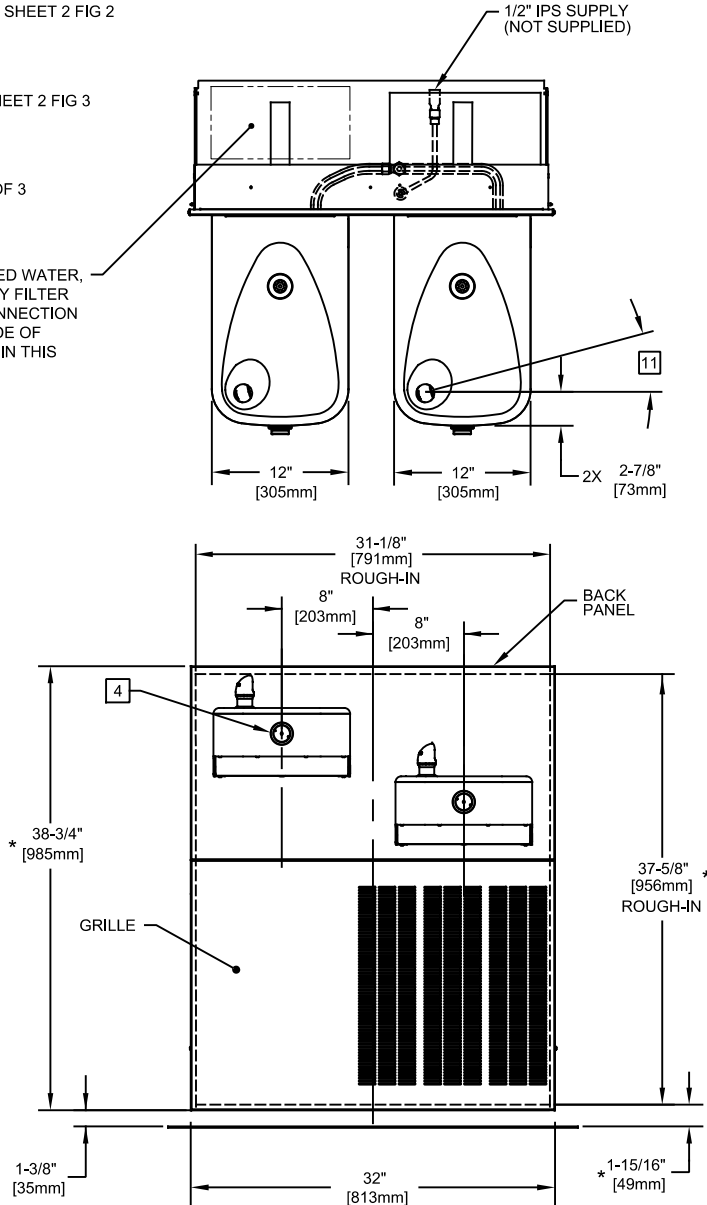
1. HOLD ROUGH-IN DIMENSIONS ± 1/8" (3.2mm)
2. WHEN INSTALLING THIS UNIT, LOCAL, STATE, OR FEDERAL CODES SHOULD BE ADHERED TO. FOR INSTALLATION HEIGHTS OTHER THAN SHOWN, DIMENSIONS MARKED (*) MUST BE ADJUSTED ACCORDINGLY.
3. REFER TO MTGFR.LG INSTALLATION DRAWING FOR FRAME ROUGH-IN DIMENSIONS.
4. REFER TO 5874 SERIES OPERATION AND MAINTENANCE MANUAL FOR PUSH BUTTON AND VALVE INSTALLATION/MAINTENANCE INSTRUCTIONS.
5. ROUGH-IN DIMENSIONS FOR FOUNTAIN HEIGHTS:

ADULT WHEELCHAIR HEIGHT: SEE SHEET 2 FIG 2
 WASTE: 29-1/4" (743mm)
 FOUNTAIN: 27" (686mm)
 BUBBLER: 32-7/8" (832mm)

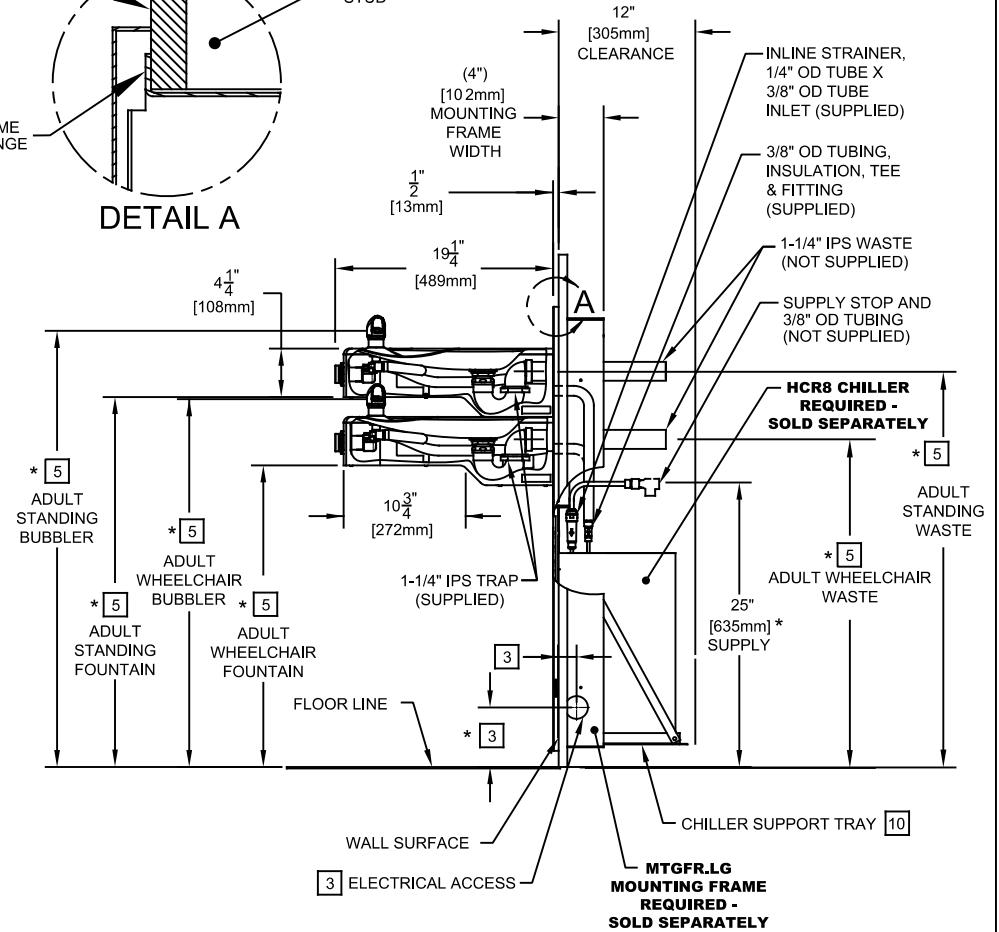
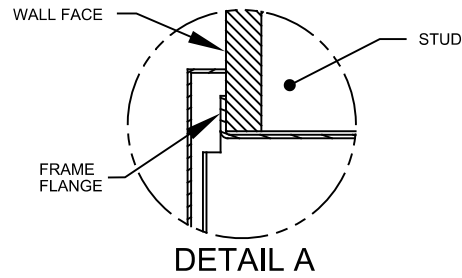
ADULT STANDING HEIGHT: SEE SHEET 2 FIG 3
 WASTE: 34-3/4" (883mm)
 FOUNTAIN: 32-1/2" (826mm)
 BUBBLER: 39-3/8" (972mm)

NOTES CONTINUED ON SHEET 2 OF 3

NOTE: FOR FILTERED WATER, OTHERS TO SUPPLY FILTER PRIOR TO THIS CONNECTION AND MOUNT TO SIDE OF MOUNTING FRAME IN THIS LOCATION.



IMPORTANT: MOUNTING FRAME MUST BE INSTALLED SO THAT LIP OF FRAME SITS AGAINST FINISHED WALL FACE.



SEE SHEET 3 FOR OPTIONAL 1920/1920HO BOTTLE FILLER WATER DISPENSER, SHOWN INSTALLED OVER MODEL 1117.8

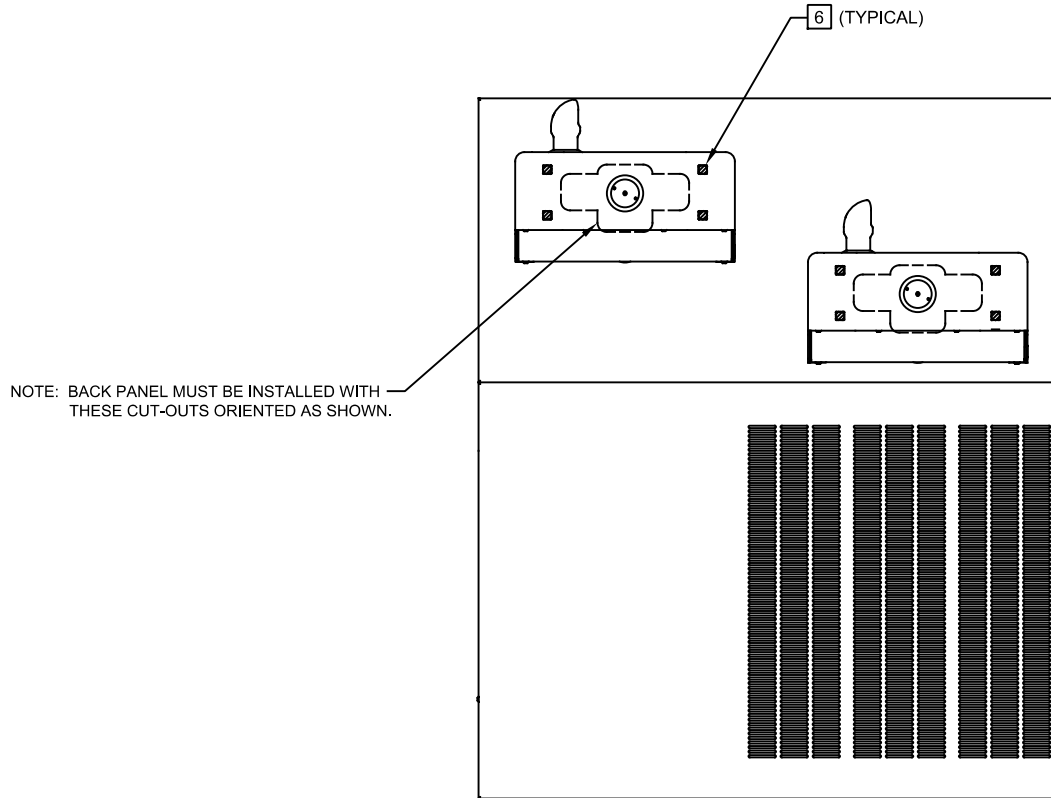
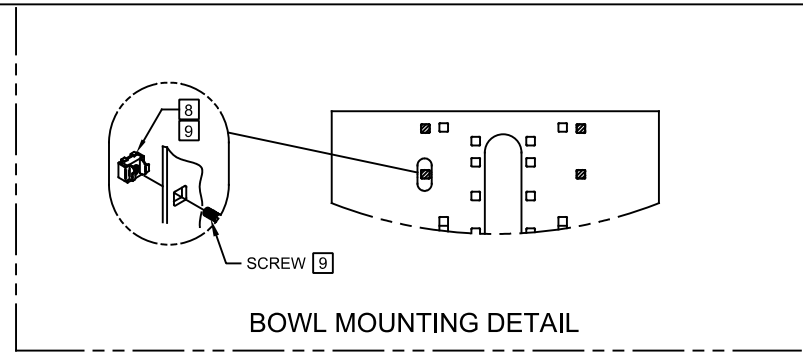


1455 KLEPPE LANE
 SPARKS, NEVADA 89431
 (775) 359-4712 FAX (775) 359-7424
 E-MAIL: HAWS@HAWS.CO.COM
 WEBSITE: WWW.HAWS.CO.COM

ECN NO. 5671	REVISED PER ECN: 6148	BY: JG	MODEL(S) 1117.8	PART NUMBER 0510001192.D
DRAWN: DP	DATE: 03/24/21	CHKD: JG		REVISION 5
APPROVED: FV	DATE: 02/11/25	SCALE: N/A	DRAWING TYPE: INSTALLATION	SHEET 1 OF 3

NOTES (CONTINUED FROM SHEET 1):

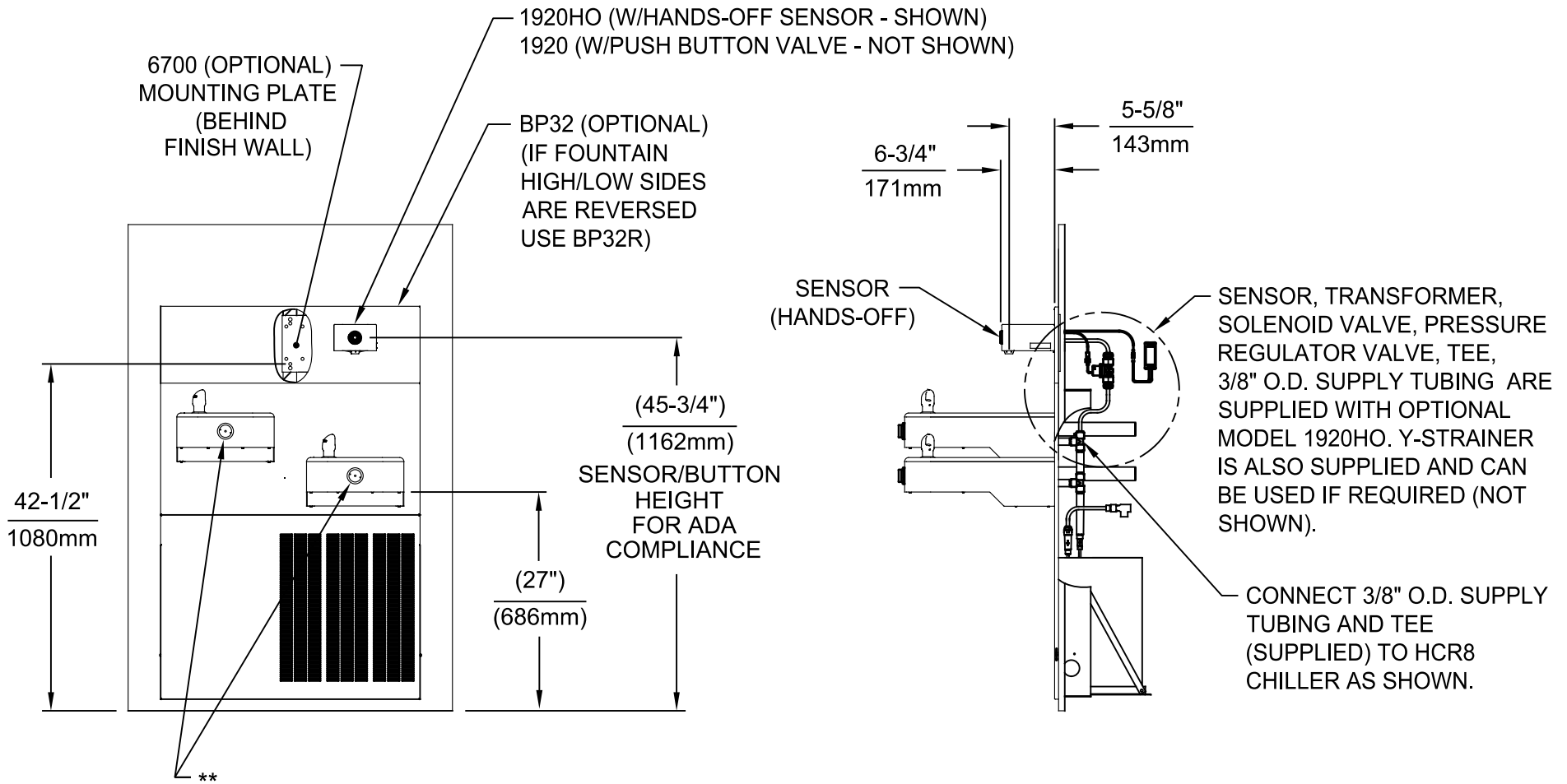
- 6** USE SHADED HOLES TO MOUNT BOWLS AT INDICATED POSITIONS.
- 7. REFER TO SHEET 1 OF 3 NOTE 5, FOR INSTALLED FOUNTAIN DIMENSIONS.
- 8** INSERT 5/16"-18 PANEL NUT RETAINERS FROM OPPOSITE SIDE AT LOCATIONS INDICATED (SHOWN BY DARKENED HOLES). USE THE UPPER OUTERMOST HOLES ON THE LEFT AND LOWER OUTERMOST HOLES ON THE RIGHT.
- 9** TO INSERT OR REMOVE NUT RETAINERS: SNAP NUT RETAINERS INTO INDICATED LOCATIONS. IF REMOVAL IS REQUIRED, FIRST REMOVE SCREWS AND THEN SQUEEZE CLIPS ON NUT RETAINER TO POP OUT.
- 10** ALIGN HOLES IN CHILLER SUPPORT TRAY WITH HOLES IN FRAME AND FASTEN WITH #10 SHEETMETAL SCREWS (SEE SHEET 1).
- 11** MAXIMUM ADJUSTABLE RANGE IS 15° FROM PARALLEL TO BACK WALL.



ADULT STANDING / ADULT WHEELCHAIR


BOWL MOUNTING LOCATIONS

		1455 KLEPPE LANE SPARKS, NEVADA 89431 (775) 359-4712 FAX (775) 359-7424 E-MAIL: HAWS@HAWS.CO.COM WEBSITE: WWW.HAWS.CO.COM	
		ECN NO. 5671	REVISED PER ECN: 6148
DRAWN: DP	DATE: 03/24/21	CHKD.: JG	PART NUMBER 0510001192.D REVISION 5
APPROVED: FV	DATE: 02/11/25	SCALE: N/A	DRAWING TYPE: INSTALLATION SIZE: A SHEET 2 OF 3



OPTIONAL 1920/1920HO BOTTLE FILLER WATER DISPENSER
(1920HO SHOWN) INSTALLED OVER 1117.8
(SEE 1920 SERIES OPERATION AND MAINTENANCE MANUAL FOR COMPLETE DETAILS)
SEE SHEET 1 FOR 1117.8 ROUGH-IN DIMENSIONS

** EXISTING PUSH BUTTON ASSEMBLY SHOWN, CAN BE CONVERTED TO HANDS OFF STYLE, USING RETRO-FIT KIT MODEL 1RKHO.H OR 2RKHO.H DEPENDING ON CUSTOMER REQUIREMENTS.

		1455 KLEPPE LANE SPARKS, NEVADA 89431 (775) 359-4712 FAX (775) 359-7424 E-MAIL: HAWS@HAWSCO.COM WEBSITE: WWW.HAWSCO.COM	
ECN NO. 5745	REVISED PER ECN: 6148	BY: JG	MODEL(S) 1117.8
DRAWN: FV	DATE: 10/09/21	CHK'D: JG	PART NUMBER 0510001192.D
APPROVED: FV	DATE: 02/11/25	SCALE: N/A	REVISION 5
DRAWING TYPE: INSTALLATION		SIZE: A	SHEET 3 OF 3