



Haws®

model 1311-1920WHO

ADA Vandal-Resistant White Enameled Iron Fountain and Motion-Activated Bottle Filler

FEATURES & BENEFITS

CONSTRUCTION

Heavy-duty cast-iron ADA accessible bowl with a glossy white enamel finish is designed for the toughest of applications, and at the same time is gentle to all users with its soft rounded corners. Unit also ships with vandal-resistant bottom plates to provide added peace of mind.

BOTTLE FILLER

Powder-coated white 14-gauge Type 304 stainless steel bottle filler housing with touchless operation and 1 gpm (3.78 L) laminar flow with 30-second obstruction time-out.

FOUNTAIN VALVES

Bottle filler incorporates a touchless sensor operated stainless steel solenoid valve controlled by a transformer, and a push-button activated valve which offers the only all stainless-steel valve body that is machined out of solid bar stock and is fully serviceable through the front of the push button assembly offering access to the water control cartridge and integral water supply strainer on the fountain.

BUBBLER HEAD

Polished chrome-plated brass bubbler head with integral laminar flow prevents splashing while providing a superior flow pattern. The integral 11/16" dia. basin shank and stainless anti-rotation roll pin for vandal resistance strength. Shielded, angled stream opening provides a steady, sanitary source of drinking water at .45 gpm.

VANDAL-RESISTANT

The bubbler head, push button, drain strainer and bottom plate are locked in place, discouraging unwanted vandal tampering.

OPTIONS

Mounting Plate: Model 6700, in-wall mounting plate for model 1920W and/or 1311.

Mounting Plate: Model 6700R, on-wall mounting plate for model 1920W.

Support Frame: Model 6800 In-wall floor mounted fixture support legs, welded steel 4-bolt floor flanges, and supplied with 'U' bolts and hardware.

Remote Drinking Fountain Water Chiller: Model HCR8, 8 gph (30.3 L) remote water chiller provides instantaneous cooling to meet a continuous demand for chilled water.

Bottle Filler Stand: Model BTL1311, add-on stainless steel stand to place bottle on when 1920 bottle filler is used.



REQUIRED MODELS

1311 / BP8W / 1920WHO / BP15W

Order these items to make up Model 1311-1920WHO white enameled-iron fountain and white painted stainless steel bottle filler.

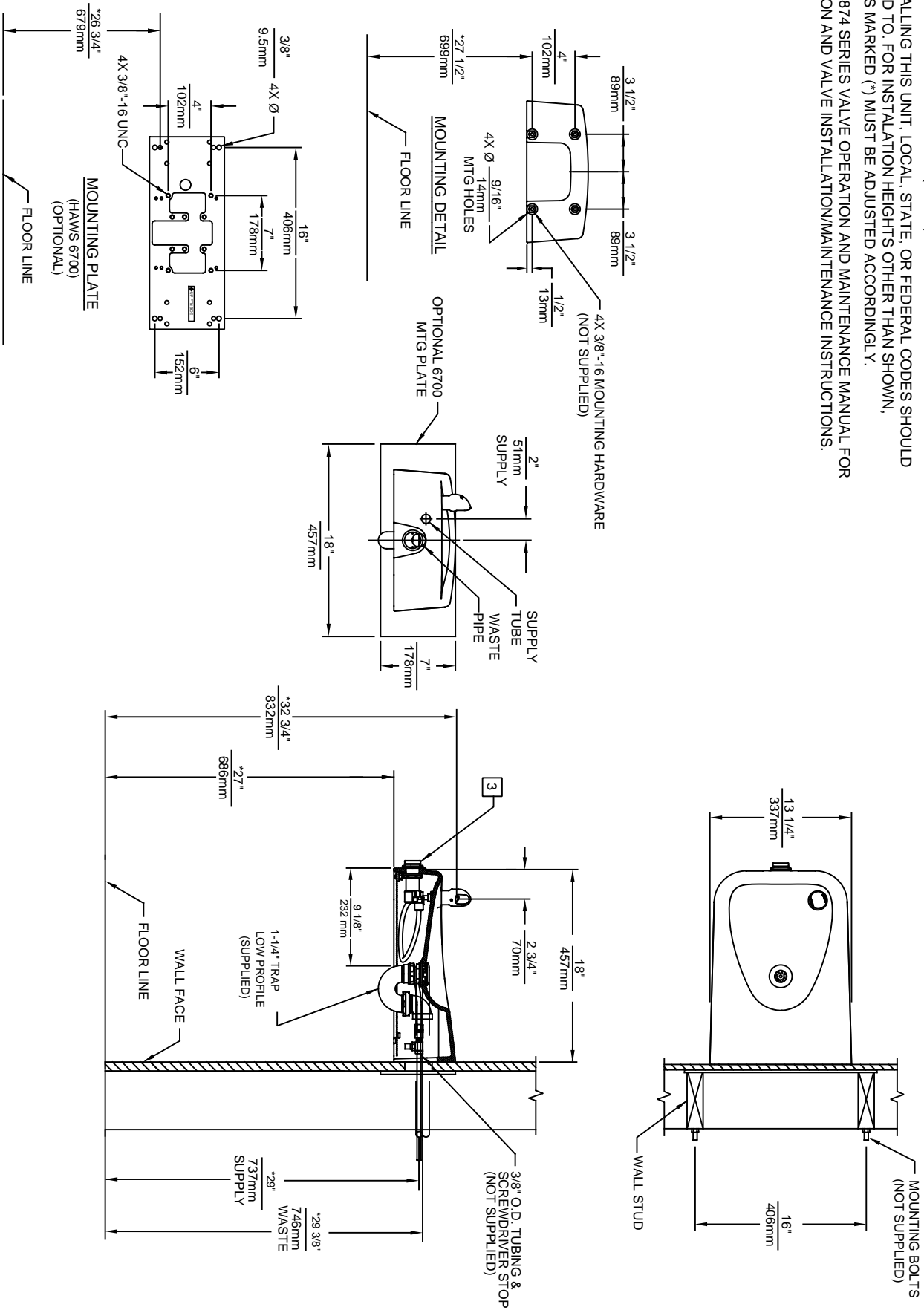
FOR INDOOR USE ONLY

SPECIFICATIONS

Model 1311-1920WHO wall mounted vandal-resistant ADA drinking fountain and motion activated bottle filler shall include a white enameled-iron basin with 14 gauge Type 304 powder-coated Stainless Steel bottle filler bracket, 100% lead-free waterways, touchless sensor operated solenoid valve with 30-second obstruction time-out on the bottle filler, and a vandal-resistant push-button operated stainless-steel valve with front-accessible cartridge and flow adjustment on the fountain, polished chrome-plated brass vandal-resistant bubbler head with integral anti-squirt flow, 1 gpm (3.78 L) laminar flow bottle filler, chrome plated brass vandal-resistant waste strainer, vandal-resistant bottom plates, and a 1-1/4" NPT trap. Manufactured to be lead-free by all known definitions including NSF/ ANSI/CAN 61-Section 9, NSF/ANSI/CAN 372, California Proposition 65, and the Federal Safe Drinking Water Act. Product is compliant to California Health and Safety Code 116875 (AB 1953-2006), and NSF/ ANSI/CAN 61: Q ≤ 1.



1. HOLD ROUGH-IN DIMENSIONS ± 1/4" (6.4MM).
2. WHEN INSTALLING THIS UNIT, LOCAL, STATE, OR FEDERAL CODES SHOULD BE ADHERED TO. FOR INSTALLATION HEIGHTS OTHER THAN SHOWN, DIMENSIONS MARKED (*) MUST BE ADJUSTED ACCORDINGLY.
3. REFER TO 5874 SERIES VALVE OPERATION AND MAINTENANCE MANUAL FOR PUSH BUTTON AND VALVE INSTALLATION/MAINTENANCE INSTRUCTIONS.

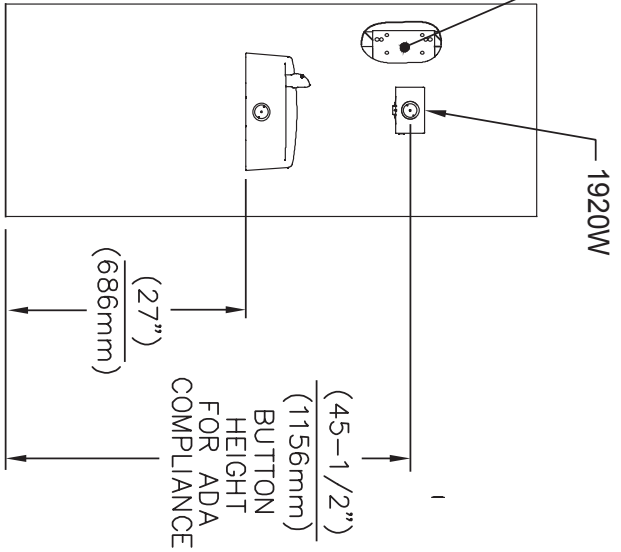


1456 KLEPPE LANE
 SPARKS, NEVADA, 89431
 (775) 359-4712 FAX (775) 359-7424
 E-MAIL: HAWS@HAWS.CO.COM
 WEBSITE: WWW.HAWS.CO.COM

ECN NO. REVISED PER BY:	MODEL(S)
5010 ECN: 5258 JP	1311
DRAWN: HM	DATE: 08/25/15 GC
APPROVED: FV	DATE: 11/23/17
SCALE: 1:14	DRAWING TYPE: INSTALLATION
SHEET: 1 OF 1	REVISION: 4
PART NUMBER: 0510000046.D	

THIS DOCUMENT IS TRUE AND CORRECT AT TIME OF PUBLICATION. CONTINUED PRODUCT IMPROVEMENTS MAKE SPECIFICATIONS AND MEASUREMENTS SUBJECT TO CHANGE WITHOUT NOTICE.

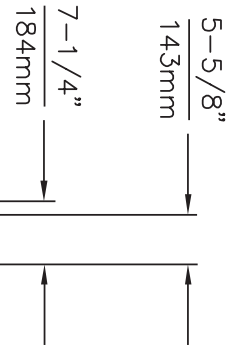
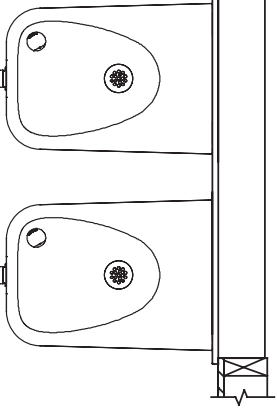
6700 MOUNTING PLATE
(BEHIND FINISH WALL)
-OR-
BOLT 1920 ON TO
EXISTING WALL



INSTALLATION ABOVE HAWS 1311

* IF YOUR FOUNTAIN IS THIS STYLE USE THESE DIMENSIONS

1. SEE SEPERATE INSTALLATION DRAWINGS FOR MOUNTING PLATES AND BACKPANELS
2. WHEN INSTALLING THIS UNIT, LOCAL, STATE OR FEDERAL CODES SHOULD BE ADHERED TO FOR INSTALLATION LOCATIONS, WASTE & SUPPLY REQUIREMENTS OTHER THAN SHOWN.



3/8" PUSH IN TEE
(CONNECT TO
FOUNTAIN SUPPLY)

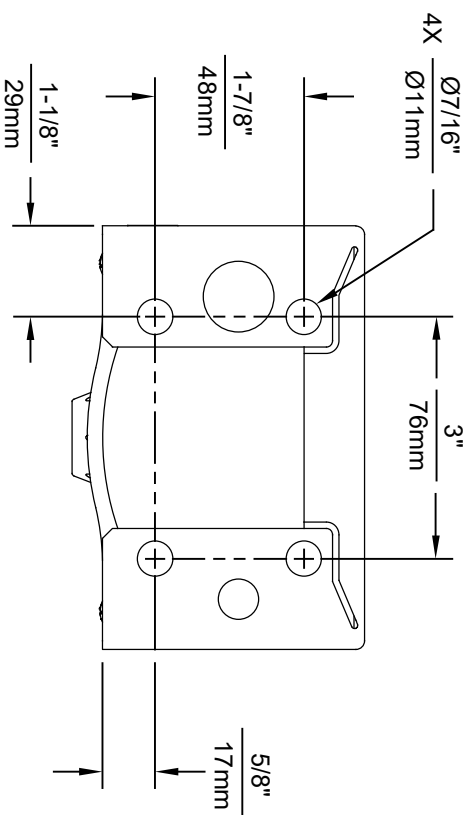
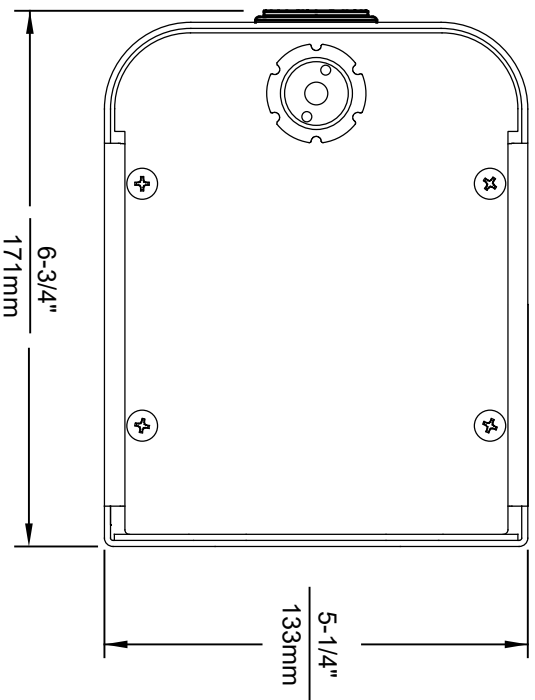
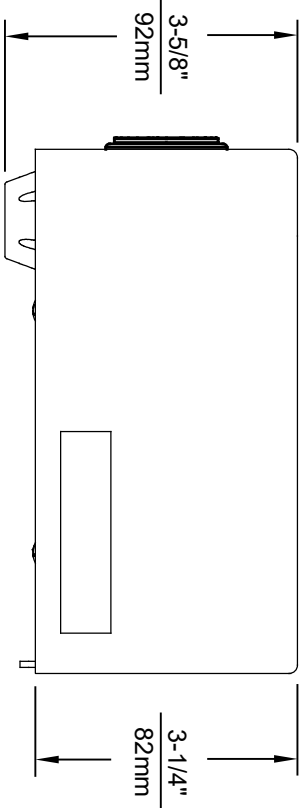


HAWS

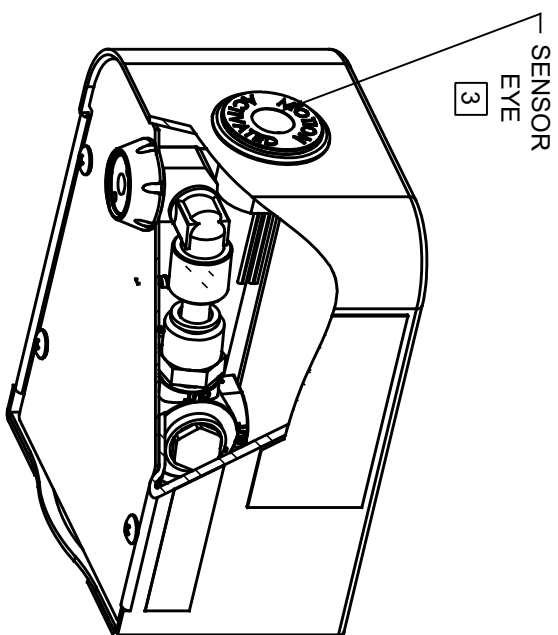
1455 KLEPPE LANE
SPARKS, NEVADA 89431
(775) 359-4712 FAX (775) 359-7424
E-MAIL: HAWS@HAWS.CO.COM
WEBSITE: WWW.HAWS.CO.COM

ECN NO.	REVISOR	PER	BY	MODEL(S)
DATE	DATE	CHRD.		MODEL 1311
APPROVED	SCALE	VA	DRAWING TYPE	INSTALLATION
				WITH MODEL 1920 BOTTLE FILLER
				PART NUMBER
				1311-20
				REVISION
				0A.1
				SIZE: A1 SHEET 1 OF 1

©2017 Haws Corporation - All Rights Reserved. HAWS® and other trademarks used in these materials are the exclusive property of Haws Corporation.



1920HO SERIES MOUNTING HOLE LOCATIONS
(3/8\"-16 UNC MOUNTING HARDWARE NOT SUPPLIED)



NOTES:

1. SEE SEPARATE INSTALLATION DRAWINGS FOR MOUNTING PLATES AND BACKPANELS
2. WHEN INSTALLING THIS UNIT, LOCAL, STATE OR FEDERAL CODES SHOULD BE ADHERED TO FOR INSTALLATION LOCATIONS, WASTE AND SUPPLY REQUIREMENTS OTHER THAN SHOWN.
3. REFER TO 1RKHO.H OPERATION & MAINTENANCE INSTRUCTIONS FOR SENSOR SETUP.



Haws

1459 KLEPPE LANE
SPARKS, NEVADA, 89431
(775) 359-4712 FAX (775) 359-7424
E-MAIL: HAWS@HAWSCO.COM
WEBSITE: WWW.HAWSCO.COM

ECN NO. 5574	REVISION PER BY: 5681	DATE: 08/18/20	SCALE: N/A	DRAWING TYPE: INSTALLATION	SIZE: A	SHEET: 1 OF 6
MODEL(S): 1920HO/1920HPPSHO/1920WH0	APPROVED: BJM	DATE: 05/12/21	INSTALLATION:			
PART NUMBER: 0510001063.D						
REVISION: 4						