



Haws[®]

model **1109.14-1920HO**

ADA Vandal-Resistant 14 Gauge Fountain and Motion-Activated Bottle Filler

FEATURES & BENEFITS

CONSTRUCTION

Rugged ADA accessible 14-gauge Type 304 Stainless Steel with a satin finish bowl, 14 gauge Type 304 Stainless Steel bottle filler that resists stains and corrosion, soft rounded corners, stainless steel satin finish back panels, vandal resistant bottom plate, and 1-1/4" integral trap.

BOTTLE FILLER

14-gauge Type 304 stainless steel bottle filler housing with touchless operation and 1 gpm (3.78 L) laminar flow with 30-second obstruction time-out.

FOUNTAIN VALVES

Bottle filler incorporates a touchless sensor operated stainless steel solenoid valve controlled by a transformer, and a push-button activated valve which offers the only all stainless-steel valve body that is machined out of solid bar stock and is fully serviceable through the front of the push button assembly offering access to the water control cartridge and integral water supply strainer on the fountain.

BUBBLER HEAD

Polished chrome-plated brass bubbler head with integral 1 1/16" dia. basin shank and stainless anti-rotation roll pin for vandal resistance strength. Shielded, angled stream opening provides a steady, sanitary source of drinking water at .45 gpm.

VANDAL-RESISTANT

The bubbler head, push button, drain strainer and bottom plates are locked in place, discouraging unwanted vandal tampering.

OPTIONS

Mounting Plate: Model 6700, in-wall mounting plate for model 1920HO.

Mounting Plate: Model 6700R, on-wall mounting plate for model 1920HO.

Support Frame: Model 6800 In-wall floor mounted fixture support legs, welded steel 4-bolt floor flanges, and supplied with 'U' bolts and hardware.

Remote Drinking Fountain Water Chiller: Model HCR8, 8 gph (30.3 L) remote water chiller provides instantaneous cooling to meet a continuous demand for chilled water.

Custom Logo Panel: Standard Model 6475 comes with "Hydration By Haws™" logo. Customize the panel with your choice of logo, slogan, or graphic. For customization, call 888-640-4297.



REQUIRED MODELS

1109.14 / 6469 / BP3 / 1920HO / BP15

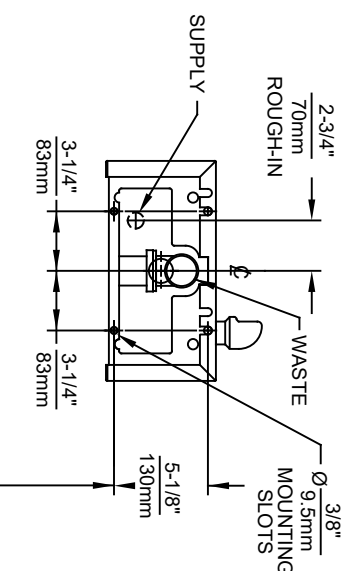
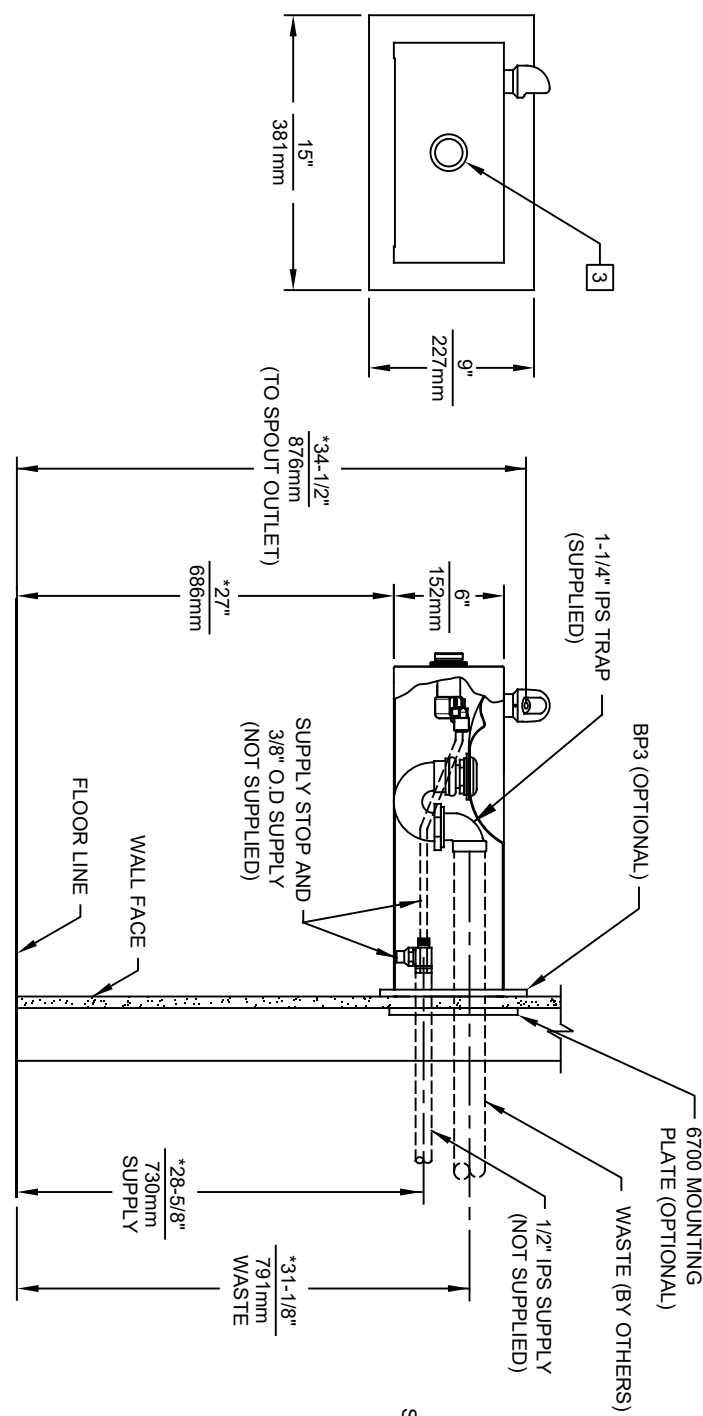
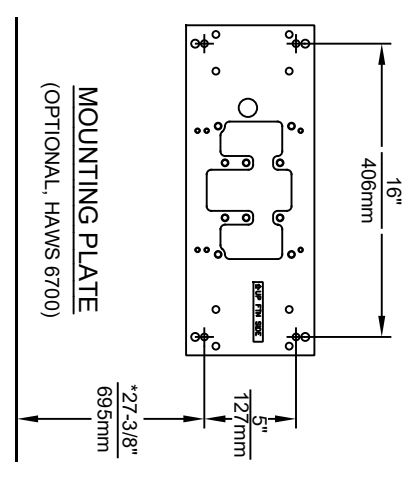
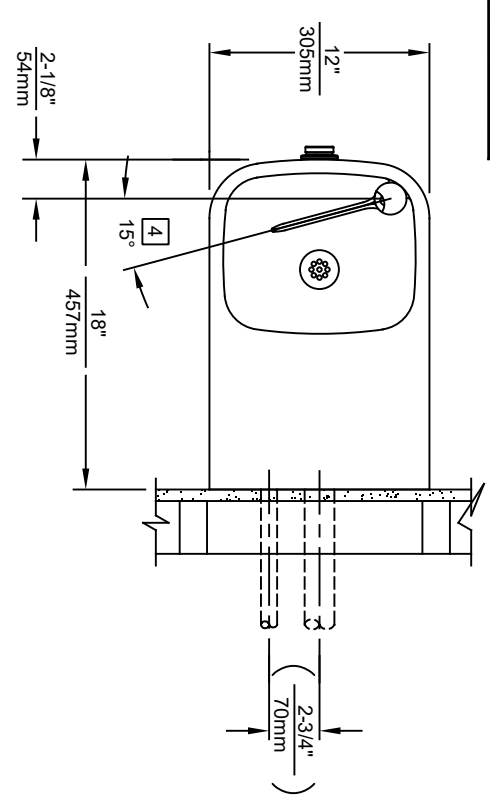
Order these items to make up Model 1109.14-1920HO fountain with stainless steel back panel, bottle filler with stainless steel back plate, and drip tray drain.

FOR INDOOR USE ONLY

SPECIFICATIONS

Model 1109.14-1920HO wall-mounted ADA vandal-resistant drinking fountain and motion-activated bottle filler shall include an 14-gauge Type 304 Stainless Steel satin finish basin, 14 gauge Type 304 Stainless Steel bottle filler bracket, 100% lead-free waterways, touchless sensor operated solenoid valve with 30-second obstruction time-out on the bottle filler, and vandal-resistant push-button operated stainless-steel valve with front-accessible cartridge and flow adjustment on the fountain, polished chrome-plated brass vandal-resistant bubbler head, 1 gpm (3.78 L) laminar flow bottle filler, integral 1/4" (.6 cm) thick stainless steel mounting plate, polished chrome-plated brass vandal-resistant waste strainer, stainless steel back panels, vandal-resistant bottom plates, and 1-1/4" NPT trap. Manufactured to be lead-free by all known definitions including NSF/ ANSI/CAN 61-Section 9, NSF/ANSI/ CAN 372, California Proposition 65, and the Federal Safe Drinking Water Act. Product is compliant to California Health and Safety Code 116875 (AB 1953-2006), and NSF/ ANSI/CAN 61: Q ≤ 1.





- NOTES:**
1. HOLD ROUGH-IN DIMENSIONS $\pm 1/4"$ (6.4mm).

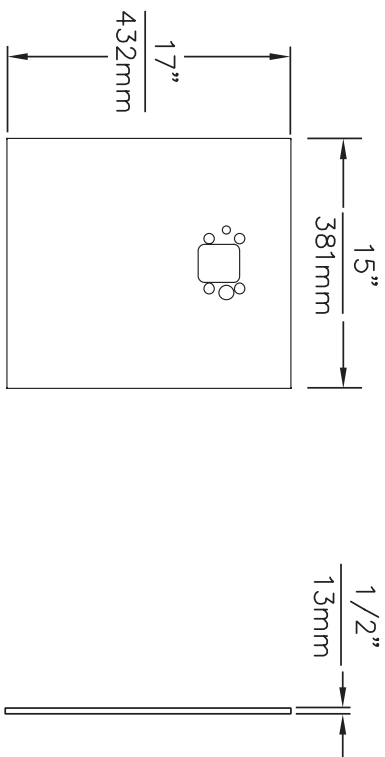
2. WHEN INSTALLING THIS UNIT, LOCAL, STATE OR FEDERAL CODES SHOULD BE ADHERED TO. FOR INSTALLATION HEIGHTS OTHER THAN SHOWN, DIMENSIONS MARKED (*) MUST BE ADJUSTED ACCORDINGLY.

3. REFER TO 5874 SERIES/VRK5874 OPERATION AND MAINTENANCE MANUAL FOR PUSH BUTTON AND VALVE INSTALLATION AND MAINTENANCE INSTRUCTIONS.

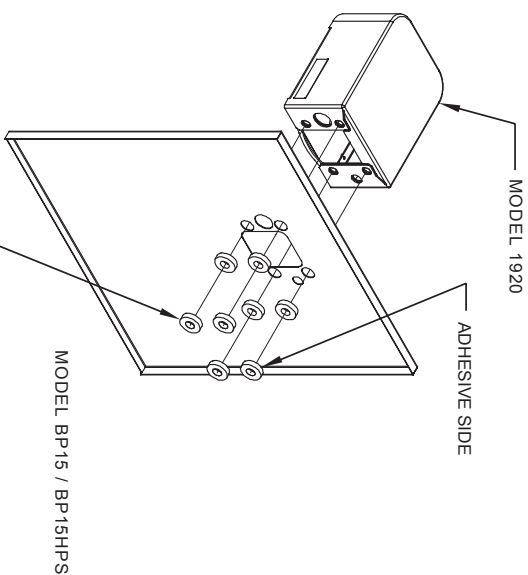
4. MAXIMUM ADJUSTABLE RANGE IS 15° FROM PARALLEL TO BACK OF WALL.

©2021 Haws Corporation - All Rights Reserved. HAWS® and other trademarks used in these materials are the exclusive property of Haws Corporation.

		HAWS	
1456 KLEPPE LANE SPARKS, NEVADA, 89431 (775) 359-4712 FAX (775) 359-7424 E-MAIL: HAWS@HAWSCO.COM WEBSITE: WWW.HAWSCO.COM		MODEL(S) 1109.14	
ECN NO. REVISED PER BY:	ECN: 5741	DATE:	1/1/2021
DRAWN:	DATE:	CHK'D:	
F. VASQUEZ	06/08	B.M.A.	
APPROVED:	DATE:	SCALE:	NA
FV	1/1/2021	DRAWING TYPE:	INSTALLATION
		SIZE:	A
		SHEET:	1 OF 1
		REVISION:	17
		PART NUMBER:	0002076625.D



MODEL BP15 / BP15HPS



8 SPACERS (2 PER MOUNTING BOLT IF THE MOUNTING PLATE IS INSTALLED BEHIND THE FINISHED WALL. USE 1 SPACER PER BOLT FOR RETROFITS WHERE THE MOUNTING PLATE IS INSTALLED IN FRONT OF THE FINISHED WALL)

INSTALLATION OVER SINGLE FOUNTAIN
SHOWN FROM REAR

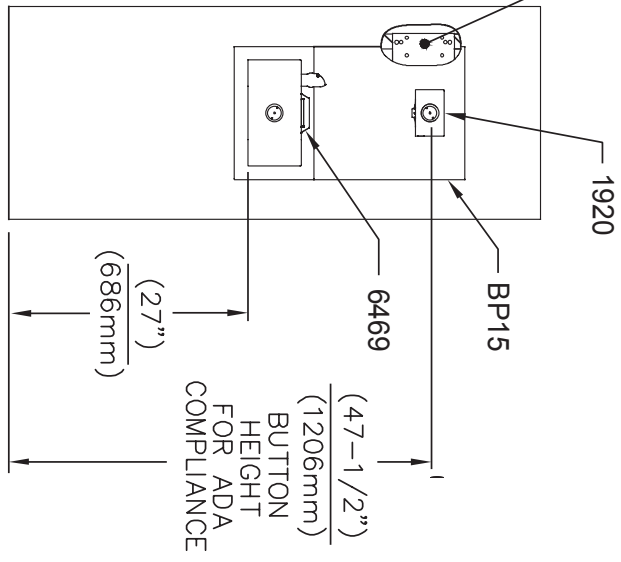
- NOTES:
1. WHEN INSTALLING THIS UNIT, LOCAL, STATE OR FEDERAL CODES SHOULD BE ADHERED TO.

©2017 Haws Corporation - All Rights Reserved. HAWS® and other trademarks used in these materials are the exclusive property of Haws Corporation.

		1455 KLEPPELANE SPARKS, NEVADA 89431 (775) 359-4712 FAX (775) 359-7424 E-MAIL: HAWS@HAWSCO.COM WEBSITE: WWW.HAWSCO.COM	
ECNO	REVISED PER:	MODEL(S)	PART NUMBER
DRAWN:	GC:	MODEL 1109 AND 1109.14 WITH	1109-20
GE	DATE: 09/31/17	MODEL 1920 BOTTLE FILLER	REVISION DA.1
APPROVED:	DATE:	SCALE: 1:1	DRAWING TYPE: INSTALLATION
		SHEET: A	SHEET 2 OF 2

THIS DOCUMENT IS TRUE AND CORRECT AT TIME OF PUBLICATION. CONTINUED PRODUCT IMPROVEMENTS MAKE SPECIFICATIONS AND MEASUREMENTS SUBJECT TO CHANGE WITHOUT NOTICE.

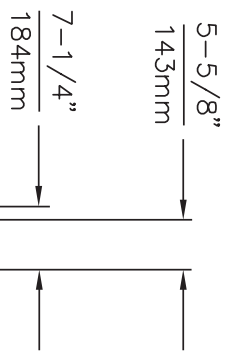
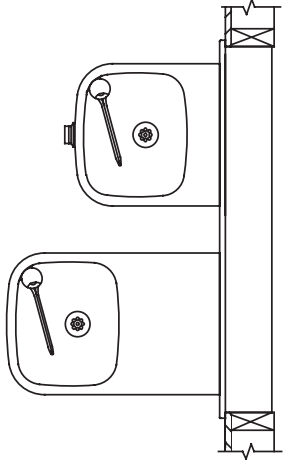
6700 MOUNTING PLATE
(BEHIND FINISH WALL)
- OR -
6700R RETROFIT PLATE
(ON TOP OF FINISH WALL)



INSTALLATION ABOVE HAWS 1109, 1109.14

* IF YOUR FOUNTAIN IS THIS STYLE USE THESE DIMENSIONS

1. SEE SEPARATE INSTALLATION DRAWINGS FOR MOUNTING PLATES, BACKPANELS & DRIP TRAY
2. WHEN INSTALLING THIS UNIT, LOCAL, STATE OR FEDERAL CODES SHOULD BE ADHERED TO FOR INSTALLATION LOCATIONS, WASTE & SUPPLY REQUIREMENTS OTHER THAN SHOWN.

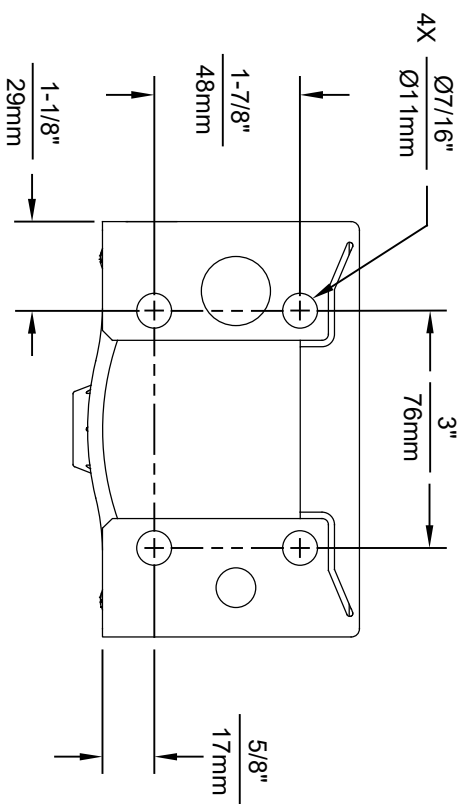
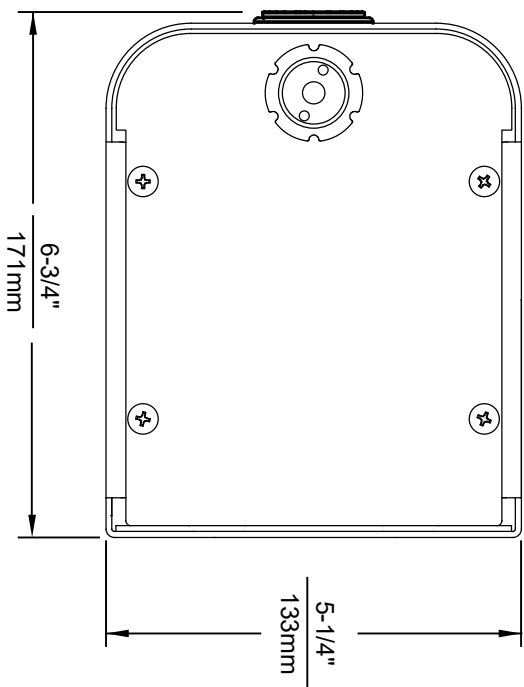
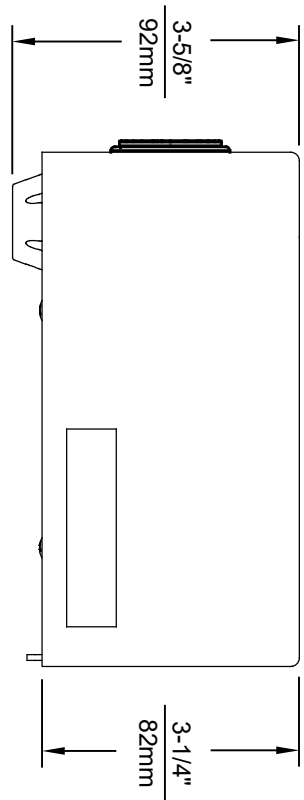


3/8" PUSH IN TEE
(CONNECT TO
FOUNTAIN SUPPLY)

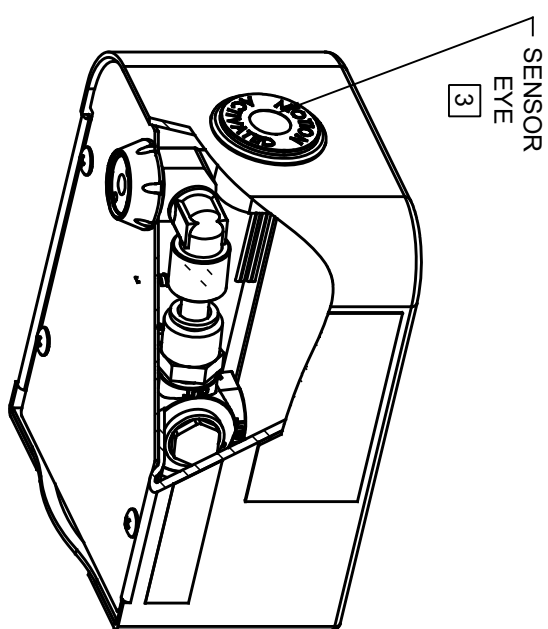


ECNNO	REVISED PERBY	MODEL(S)	1455 KLEPPE LANE
DRAWN	GC	MODEL 1109 AND 1109.14 WITH	SPARKS, NEVADA 89431
GC	CHKD	MODEL 1920 BOTTLE FILLER	(775) 359-4712 FAX (775) 359-7424
DATE	DATE		E-MAIL: HAWS@HAWS.CO.COM
DATE	DATE		WEBSITE: WWW.HAWS.CO.COM
APPROVED:	SCALE: NA	DRAWING TYPE: INSTALLATION	PART NUMBER
			1109-20
			REVISION
			0A.1
			SIZE: A SHEET 1 OF 2

©2017 Haws Corporation - All Rights Reserved. HAWS® and other trademarks used in these materials are the exclusive property of Haws Corporation.



1920HO SERIES MOUNTING HOLE LOCATIONS
(3/8" - 16 UNC MOUNTING HARDWARE NOT SUPPLIED)



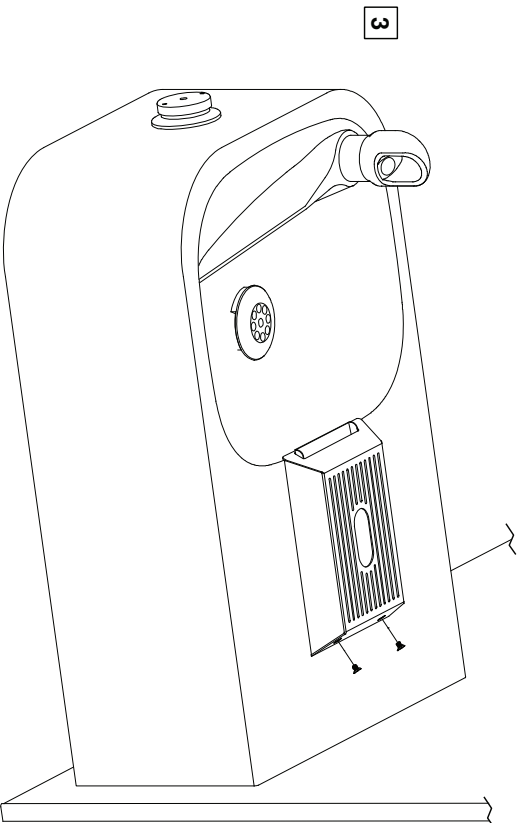
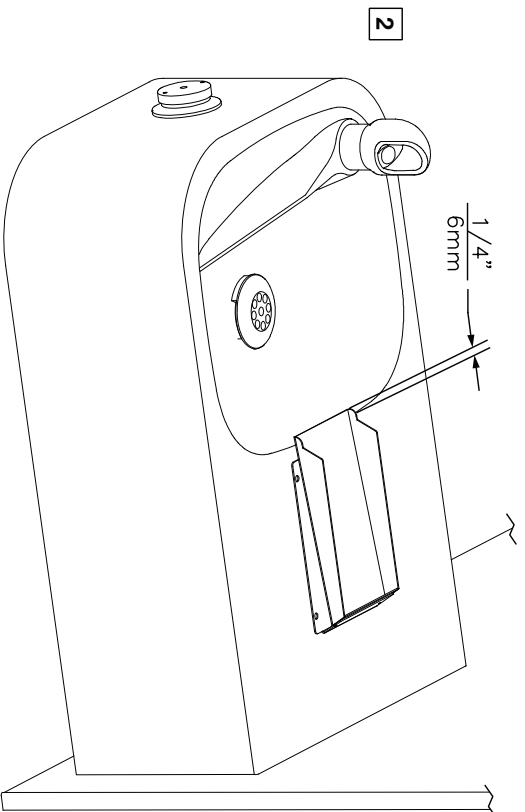
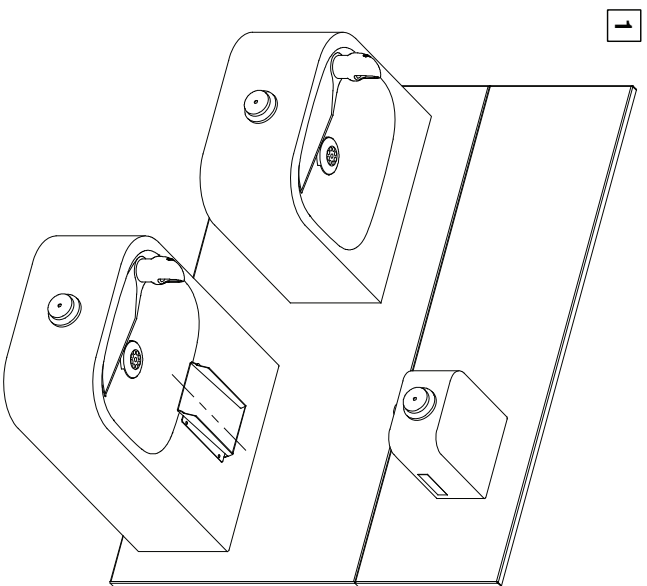
NOTES:

1. SEE SEPARATE INSTALLATION DRAWINGS FOR MOUNTING PLATES AND BACKPANELS
2. WHEN INSTALLING THIS UNIT, LOCAL, STATE OR FEDERAL CODES SHOULD BE ADHERED TO FOR INSTALLATION LOCATIONS, WASTE AND SUPPLY REQUIREMENTS OTHER THAN SHOWN.
3. REFER TO 1RKHO.H OPERATION & MAINTENANCE INSTRUCTIONS FOR SENSOR SETUP.



1455 KLEPPE LANE
SPARKS, NEVADA 89431
(775) 359-4712 FAX (775) 359-7424
E-MAIL: HAWS@HAWS.CO.COM
WEBSITE: WWW.HAWS.CO.COM

EQ. NO. REVISIONS PER BY	MODEL(S)	PART NUMBER
5274 EQN 5681 B.M.	1920HO/1920HPSHO/1920WHO	0510001063.D
DRAWN DATE	SCALE	REVISION
DATE	N/A	4
APPROVED DATE	DRAWING TYPE	SHEET 1 OF 6
B.M.	INSTALLATION	



6469 BOTTLE FILLER DRIP TRAY INSTALLATION

1. THE 6469 BOTTLE FILLER DRIP TRAY ALLOWS THE INSTALLATION OF THE 1920 BOTTLE FILLER OVER HAWS 1109/1119 MODEL DRINKING FOUNTAINS. CENTER THE LOWER DRAIN PAN ALONG THE CENTERLINE OF THE FOUNTAIN.
2. EXTEND THE FRONT EDGE OF THE LOWER DRAIN PAN OVER THE EDGE OF THE FOUNTAIN BOWL BY APPROXIMATELY 1/4" (6mm). IT IS RECOMMENDED TO TEMPORARILY TAPE THE DRAIN PAN IN PLACE, INSTALL THE TOP COVER, AND ACTIVATE THE BOTTLE FILLER TO VERIFY THE WATER STREAM IS ALIGNED TO THE INLET HOLE. VERIFY THE LIP OF THE TOP COVER HANGS OVER THE EDGE OF THE FOUNTAIN BOWL.
3. MARK THE DRAIN PAN HOLE LOCATIONS ON THE FOUNTAIN. THE DRAIN PAN CAN NOW BE PERMANENTLY INSTALLED USING AN APPROPRIATE FASTENING METHOD (FASTENERS NOT SUPPLIED). FASTENING OPTIONS INCLUDE THRU BOLTS, RIVETS, TACK WELDS, AND DOUBLE-SIDED FOAM TAPE. INSTALL THE TOP COVER AND SECURE TO THE DRAIN PAN WITH THE SUPPLIED 4-40 FLATHEAD SCREWS.

		1465 KLEPPE LANE SPARKS, NEVADA 89431 (775) 359-4712 FAX (775) 359-7424 E-MAIL: HAWS@HAWS.CO.COM WEBSITE: WWW.HAWS.CO.COM	
ENGINEERED PER: DRAWN BY: DATE: DATE: DATE: DATE:	REVISED PER: REVISED PER: REVISED PER: REVISED PER:	MODEL(S) DRAWING, 6469 BOTTLE FILLER DRIP TRAY	PART NUMBER 0910000657.D
APPROVED: DATE: SCALE: DRAWING TYPE: INSTALLATION:	DATE: SCALE: DRAWING TYPE: INSTALLATION:	SIZE: A	SHEET 1 OF 1