



model 1105-1920

Vandal-Resistant Drinking Fountain and Bottle Filler

FEATURES & BENEFITS

CONSTRUCTION

Rugged 18-gauge Type 304 Stainless Steel with a satin finish bowl, 14 gauge Type 304 Stainless Steel bottle filler that resists stains and corrosion, soft rounded corners, stainless steel satin finish back panels, vandal-resistant bottom plate, and 1-1/4" integral trap.

BOTTLE FILLER

Vandal-resistant, 14-gauge Type 304 stainless steel bottle filler housing with push button operation and 1 gpm (3.78 L) laminar flow.

FOUNTAIN VALVES

The push-button activated valves have all stainless steel bodies, with chrome plated brass push button assemblies which allow for front access to water stream adjustment, water control cartridge, and water supply strainer replacement without having to go through the bottom plate. Operating pressure range of 30 to 90 psi (2.1 to 6.2 bar).

BUBBLER HEAD

Polished chrome-plated brass bubbler head with integral 11/16" dia. basin shank and stainless anti-rotation roll pin for vandal resistance strength. Shielded, angled stream opening provides a steady, sanitary source of drinking water at .45 gpm.

INTEGRATED TRAP

Brass 1-1/4" NPT trap is internally mounted for easy installation and access.

VANDAL-RESISTANT

The bubbler head, push buttons, drain strainer and bottom plates are locked in place, discouraging unwanted vandal tampering.



REQUIRED MODELS

1105 / BP3 / 1920 / BP15

Order these items to make up the Model 1105-1920 fountain with stainless steel back panel, bottle filler with stainless steel back plate, and drip tray drain.

SPECIFICATIONS

Model 1105-1920 wall-mounted vandal-resistant drinking fountain and bottle filler shall include an 18-gauge Type 304 Stainless Steel satin finish basin, 14 gauge Type 304 Stainless Steel bottle filler bracket, 100% lead-free waterways, vandal-resistant push-button operated stainless steel valves with front-accessible cartridge and flow adjustment, polished chrome-plated brass vandal-resistant bubbler head, 1 gpm (3.78 L) laminar flow bottle filler, polished chrome-plated brass vandal-resistant waste strainer, stainless steel back panels, vandal-resistant bottom plates, and 1-1/4" NPT trap. Manufactured to be lead-free by all known definitions including NSF/ ANSI/CAN 61-Section 9, NSF/ANSI/ CAN 372, California Proposition 65, and the Federal Safe Drinking Water Act. Product is compliant to California Health and Safety Code 116875 (AB 1953-2006), and NSF/ ANSI/CAN 61: Q ≤ 1.

OPTIONS

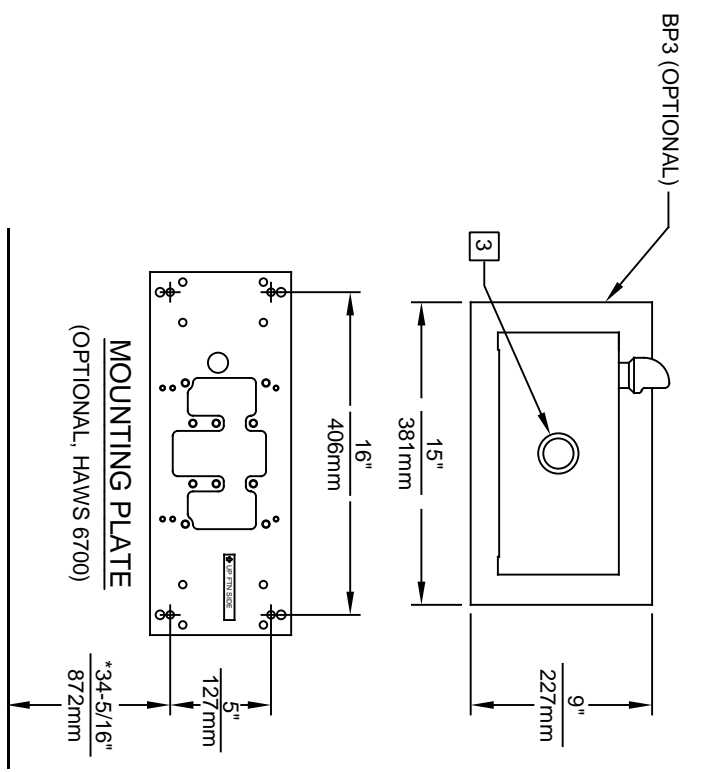
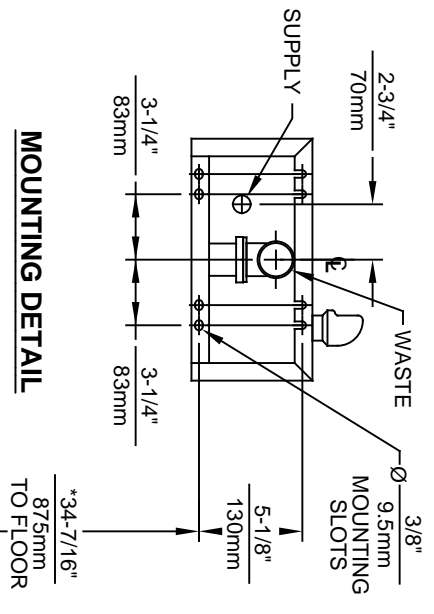
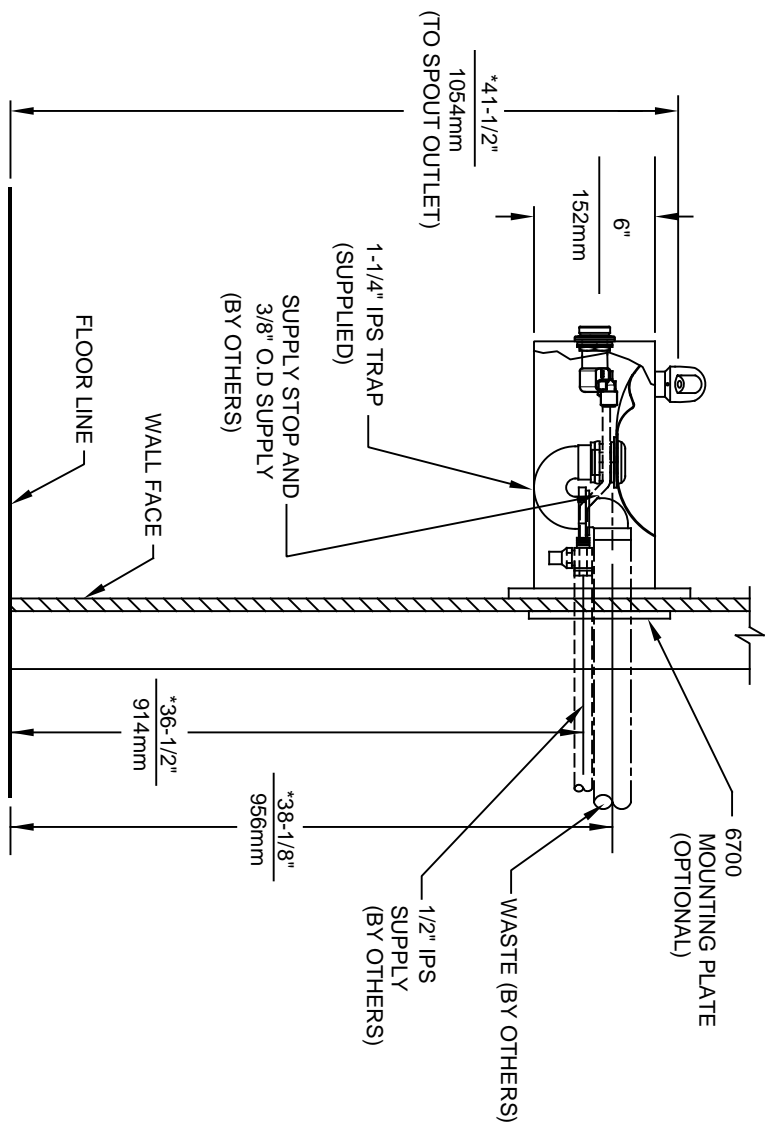
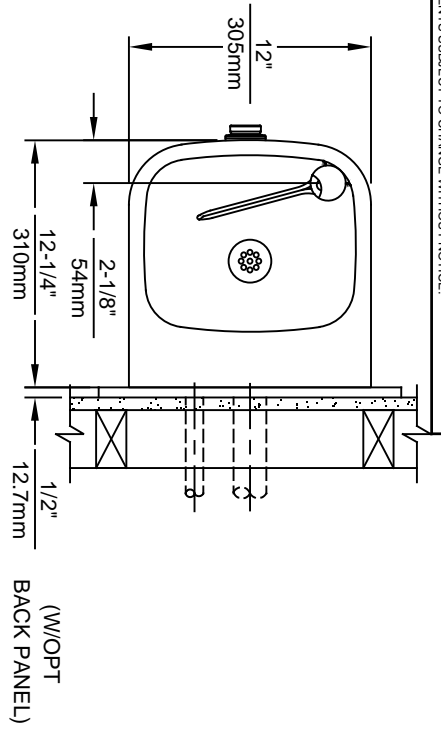
Mounting Plate: Model 6700, in-wall mounting plate for model 1920 and/or 1105.

Mounting Plate: Model 6700R, on-wall mounting plate for model 1920.

Support Frame: Model 6800 In-wall floor mounted fixture support legs, welded steel 4-bolt floor flanges, and supplied with 'U' bolts and hardware.

Remote Drinking Fountain Water Chiller: Model HCR8, 8 gph (30.3 L) remote water chiller provides instantaneous cooling to meet a continuous demand for chilled water.

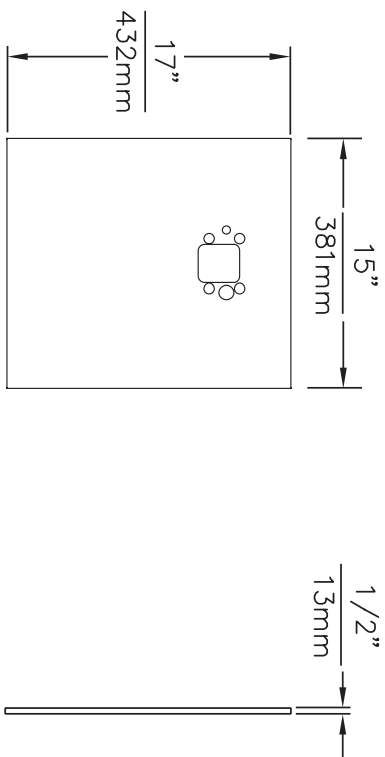




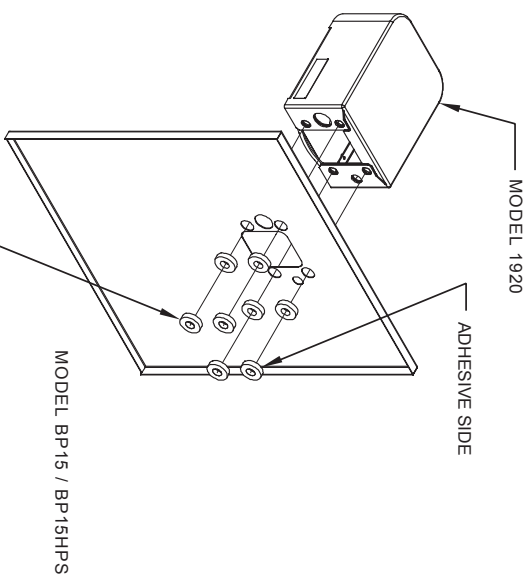
NOTES:

1. HOLD ROUGH-IN DIMENSIONS ± 1/4" (6.4mm).
2. WHEN INSTALLING THIS UNIT LOCAL, STATE OR FEDERAL CODES SHOULD BE ADHERED TO. FOR INSTALLATION HEIGHTS OTHER THAN SHOWN, DIMENSIONS MARKED (*) MUST BE ADJUSTED ACCORDINGLY.
3. REFER TO 5874 SERIES OPERATION AND MAINTENANCE MANUAL FOR PUSH BUTTON AND VALVE INSTALLATION/MAINTENANCE INSTRUCTIONS.

		MODEL(S)	
1456 KLEPPE LANE SPARKS, NEVADA 89431 (775) 359-4712 FAX (775) 359-7424 E-MAIL: HAWWS@HAWSCO.COM WEBSITE: WWW.HAWSCO.COM		1105	
ECN NO. REVISED PER BY:	ECN: 5215 JP	DATE:	12/97
DRAWN:	F. VASQUEZ	CHKD:	GC
APPROVED:	FV	DATE:	11/22/17
SCALE:	NA	DRAWING TYPE:	INSTALLATION
SHEET:	1	OF:	1
PART NUMBER:	0002076524.D	REVISION:	18



MODEL BP15 / BP15HPS



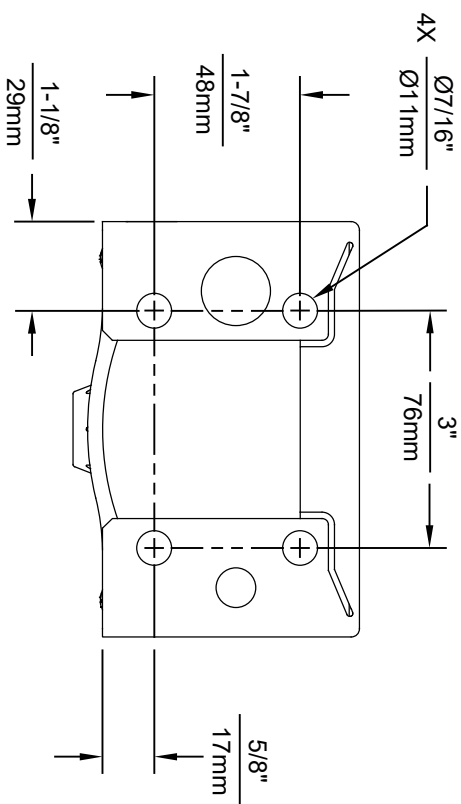
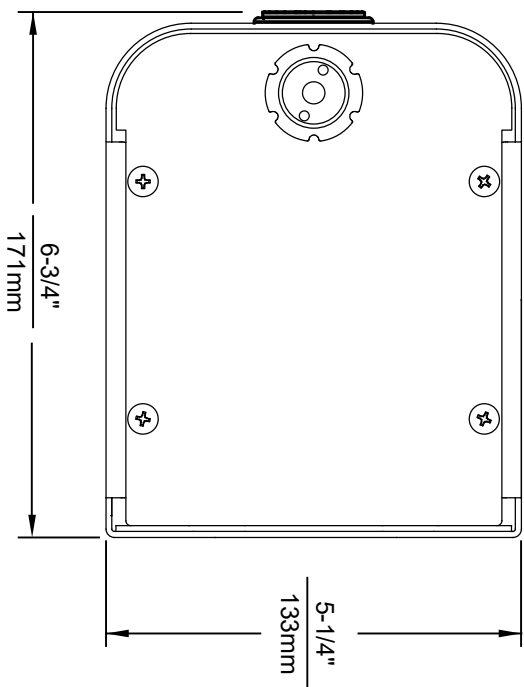
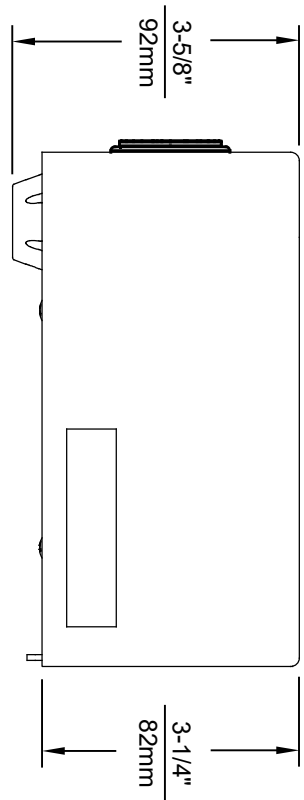
8 SPACERS (2 PER MOUNTING BOLT IF THE MOUNTING PLATE IS INSTALLED BEHIND THE FINISHED WALL. USE 1 SPACER PER BOLT FOR RETROFITS WHERE THE MOUNTING PLATE IS INSTALLED IN FRONT OF THE FINISHED WALL)

INSTALLATION OVER SINGLE FOUNTAIN
SHOWN FROM REAR

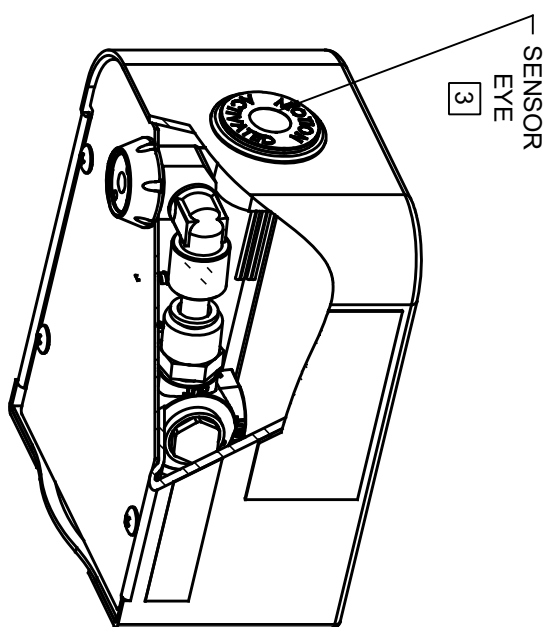
- NOTES:
1. WHEN INSTALLING THIS UNIT, LOCAL, STATE OR FEDERAL CODES SHOULD BE ADHERED TO.

©2017 Haws Corporation - All Rights Reserved. HAWS® and other trademarks used in these materials are the exclusive property of Haws Corporation.

		1455 KLEPPELANE SPARKS, NEVADA 89431 (775) 359-4712 FAX (775) 359-7424 E-MAIL: HAWS@HAWSCO.COM WEBSITE: WWW.HAWSCO.COM	
ECNO: 05/31/17	REVISED PER: GC	MODEL(S)	MODEL 1109 AND 1109.14 WITH MODEL 1920 BOTTLE FILLER
DRAWN: GC	DATE: 05/31/17	SCALE: 1:1	DRAWING TYPE: INSTALLATION
APPROVED:	DATE:	SHEET: A	SHEET 2 OF 2
		PART NUMBER	1109-20
		REVISION	0A.1



1920HO SERIES MOUNTING HOLE LOCATIONS
(3/8" - 16 UNC MOUNTING HARDWARE NOT SUPPLIED)



NOTES:

1. SEE SEPARATE INSTALLATION DRAWINGS FOR MOUNTING PLATES AND BACKPANELS
2. WHEN INSTALLING THIS UNIT, LOCAL, STATE OR FEDERAL CODES SHOULD BE ADHERED TO FOR INSTALLATION LOCATIONS, WASTE AND SUPPLY REQUIREMENTS OTHER THAN SHOWN.
3. REFER TO 1RKHO.H OPERATION & MAINTENANCE INSTRUCTIONS FOR SENSOR SETUP.



1455 KLEPPE LANE
SPARKS, NEVADA 89431
(775) 359-4712 FAX (775) 359-7424
E-MAIL: HAWS@HAWSCCO.COM
WEBSITE: WWW.HAWSCCO.COM

EQ. NO. REVISIONS PER BY	MODEL(S)	PART NUMBER
5274 EQN 5681 B.M.	1920HO/1920HPSHO/1920WHO	0510001063.D
DRAWN DATE	SCALE	REVISION
DATE	N/A	4
APPROVED DATE	DRAWING TYPE	SHEET 1 OF 6
B.M.	INSTALLATION	