



Haws[®]

model **1105HO-1920HO**

Vandal-Resistant Motion-Activated Fountain and Bottle Filler

FEATURES & BENEFITS

CONSTRUCTION

Rugged 18-gauge Type 304 Stainless Steel with a satin finish bowl, 14 gauge Type 304 Stainless Steel bottle filler that resists stains and corrosion, soft rounded corners, stainless steel satin finish back panels, vandal-resistant bottom plate, and 1-1/4" integral trap.

BOTTLE FILLER

14-gauge Type 304 stainless steel bottle filler housing with touchless operation and 1 gpm (3.78 L) laminar flow with 30-second obstruction time-out.

FOUNTAIN VALVES

Fountain incorporates touchless sensor operated stainless steel solenoid valves controlled by a transformer for handsfree operation. A pressure regulator is used to adjust the bubbler flow according to incoming water pressures.

BUBBLER HEAD

Polished chrome-plated brass bubbler head with integral 11/16" dia. basin shank and stainless anti-rotation roll pin for vandal resistance strength. Shielded, angled stream opening provides a steady, sanitary source of drinking water at .45

INTEGRATED TRAP

Brass 1-1/4" NPT trap is internally mounted for easy installation and access.

VANDAL-RESISTANT

The bubbler head, drain strainer and bottom plates are locked in place, discouraging unwanted vandal tampering.

OPTIONS

Mounting Plate: Model 6700, in-wall mounting plate for model 1920HO and/or 1105HO.

Mounting Plate: Model 6700R, on-wall mounting plate for model 1920HO.

Support Frame: Model 6800 In-wall floor mounted fixture support legs, welded steel 4-bolt floor flanges, and supplied with 'U' bolts and hardware.

Remote Drinking Fountain Water Chiller: Model HCR8, 8 gph (30.3 L) remote water chiller provides instantaneous cooling to meet a continuous demand for chilled water.

Custom Logo Panel: Standard Model 6475 comes with "Hydration By Haws[™]" logo. Customize the panel with your choice of logo, slogan, or graphic. For customization, call 888-640-4297.



REQUIRED MODELS

1105HO / BP3 / 1920HO / BP15

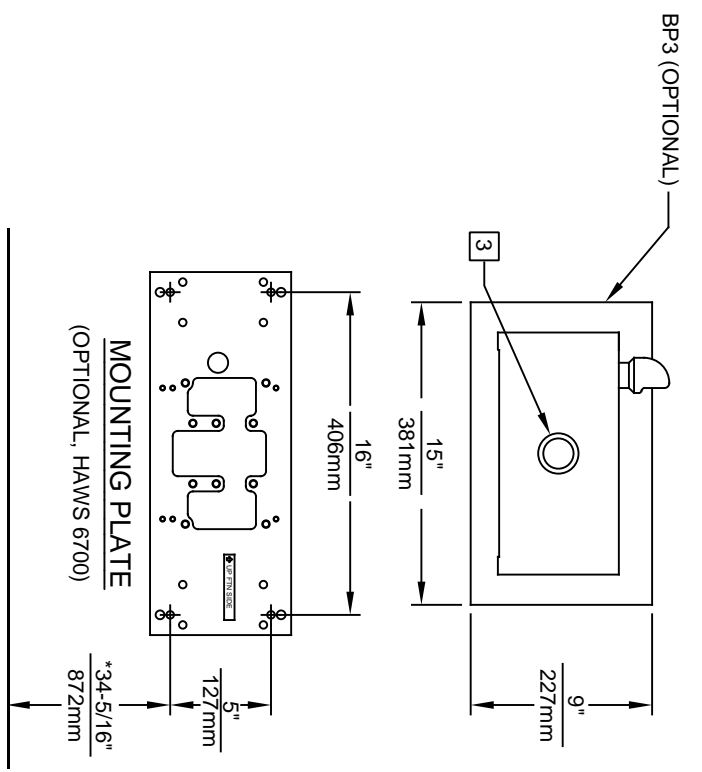
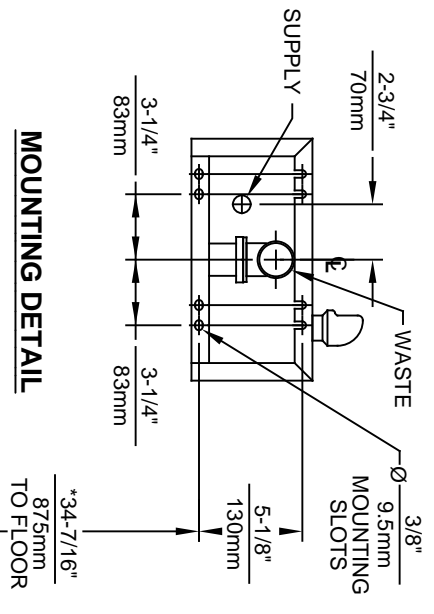
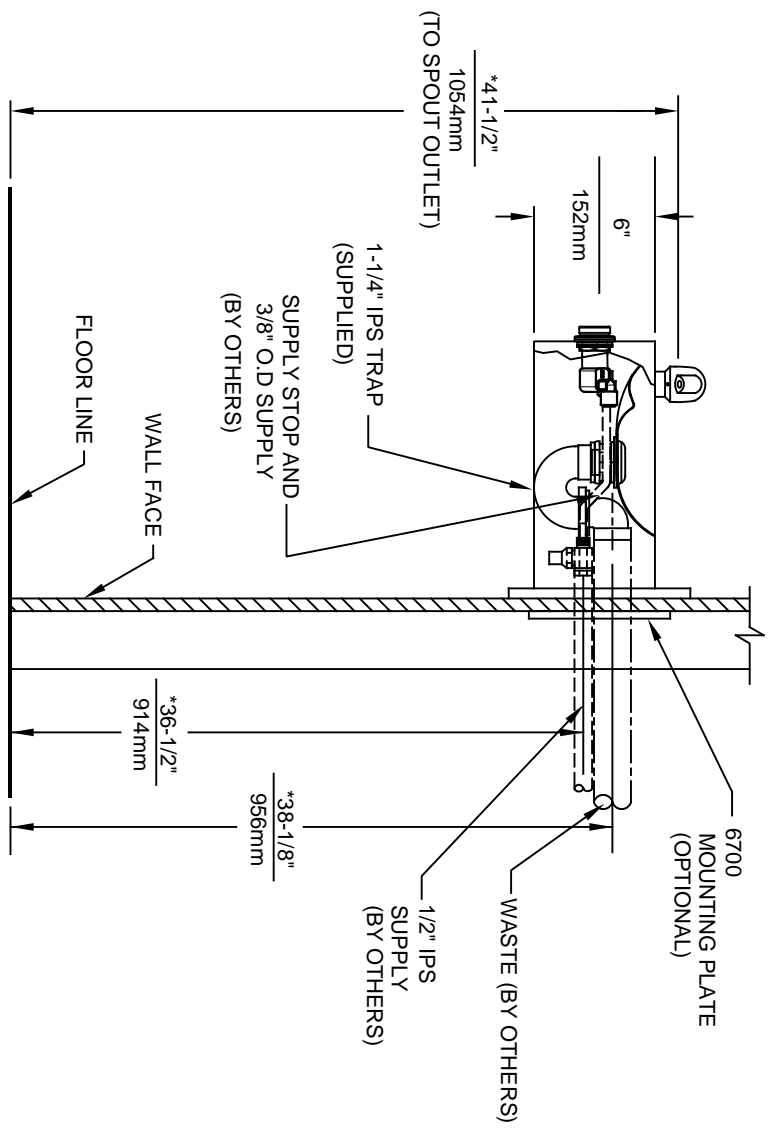
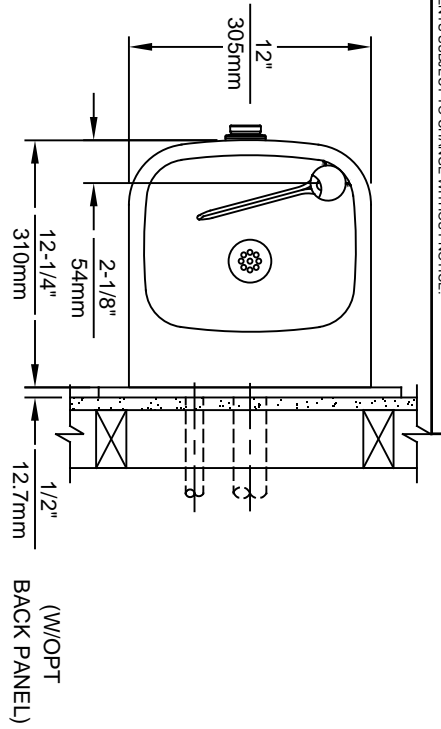
Order these items to make up Model 1105HO-1920HO fountain with stainless steel back panel, bottle filler with stainless steel back plate, and drip tray drain.

FOR INDOOR USE ONLY

SPECIFICATIONS


Model 1105HO-1920HO wall-mounted vandal-resistant drinking fountain and motion activated bottle filler shall include an 18-gauge Type 304 Stainless Steel satin finish basin, 14 gauge Type 304 Stainless Steel bottle filler bracket, 100% lead-free waterways, touchless sensor operated stainless steel solenoid valves with 30-second obstruction time-out controlled by a transformer, polished chrome-plated brass vandal-resistant bubbler head, 1 gpm (3.78 L) laminar flow bottle filler, polished chrome-plated brass vandal-resistant waste strainer, stainless steel back panels, vandal-resistant bottom plates, and 1-1/4" NPT trap. Manufactured to be lead-free by all known definitions including NSF/ ANSI/CAN 61-Section 9, NSF/ANSI/CAN 372, California Proposition 65, and the Federal Safe Drinking Water Act. Product is compliant to California Health and Safety Code 116875 (AB 1953-2006), and NSF/ ANSI/CAN 61: Q ≤ 1.





NOTES:

1. HOLD ROUGH-IN DIMENSIONS ± 1/4" (6.4mm).
2. WHEN INSTALLING THIS UNIT LOCAL, STATE OR FEDERAL CODES SHOULD BE ADHERED TO. FOR INSTALLATION HEIGHTS OTHER THAN SHOWN, DIMENSIONS MARKED (*) MUST BE ADJUSTED ACCORDINGLY.
3. REFER TO 5874 SERIES OPERATION AND MAINTENANCE MANUAL FOR PUSH BUTTON AND VALVE INSTALLATION/MAINTENANCE INSTRUCTIONS.



Haws

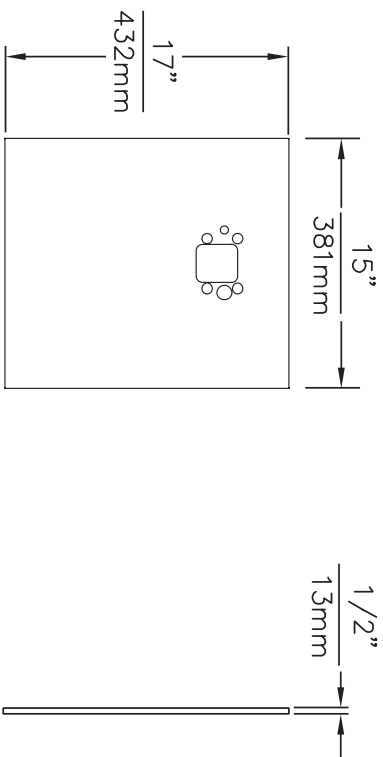
MODEL(S)

1105

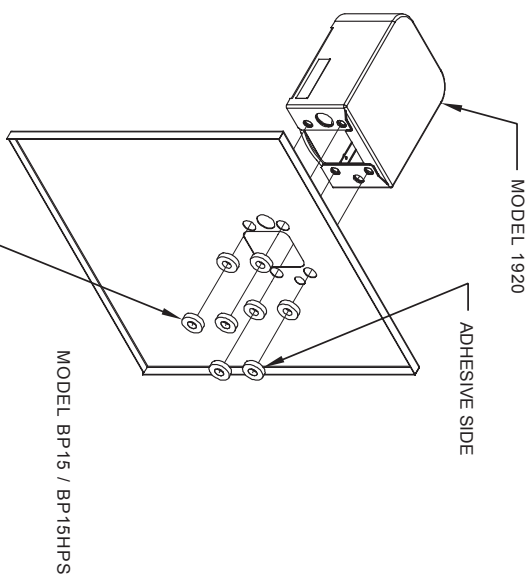
ECN NO. REVISED PER BY:	ECN: 5215	JP	DATE: 12/97	CHKD: GC
DRAWN: F. VASQUEZ	DATE: 11/22/17	SCALE: NA	DRAWING TYPE: INSTALLATION	SIZE: A
APPROVED: FV	DATE: 11/22/17	SCALE: NA	DRAWING TYPE: INSTALLATION	SHEET: 1 OF 1

1456 KLEPPE LANE
 SPARKS, NEVADA 89431
 (775) 359-4712 FAX (775) 359-7424
 E-MAIL: HAWS@HAWS.CO.COM
 WEBSITE: WWW.HAWS.CO.COM

PART NUMBER: 0002076524.D
 REVISION: 18



MODEL BP15 / BP15HPS



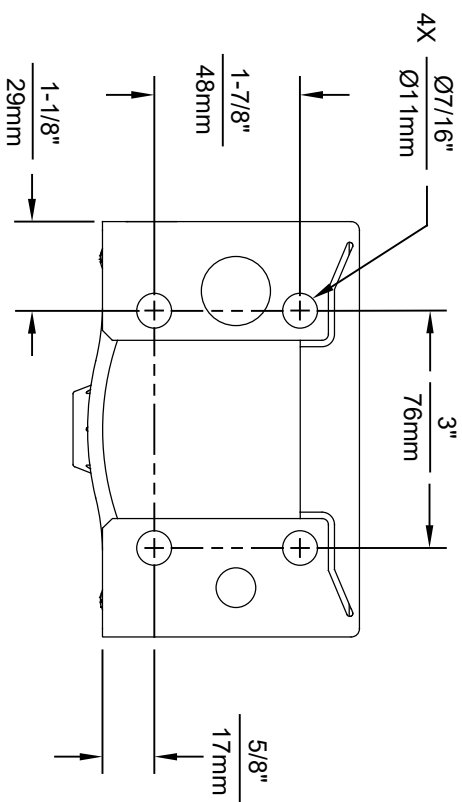
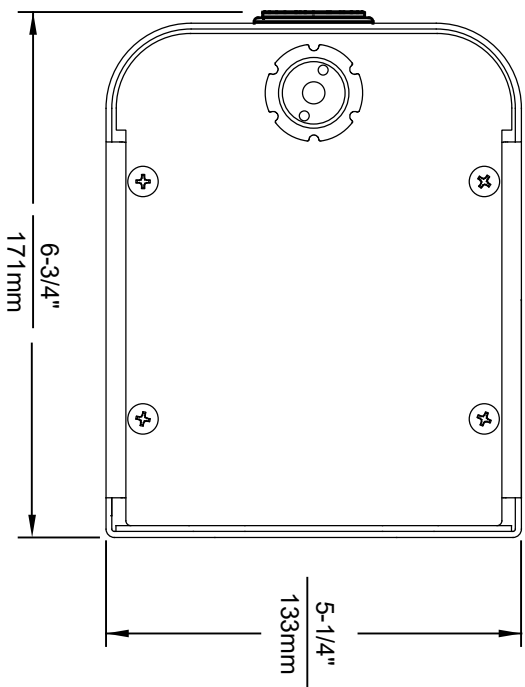
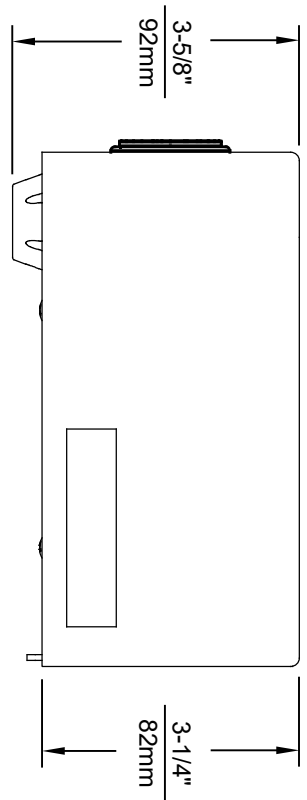
8 SPACERS (2 PER MOUNTING BOLT IF THE MOUNTING PLATE IS INSTALLED BEHIND THE FINISHED WALL. USE 1 SPACER PER BOLT FOR RETROFITS WHERE THE MOUNTING PLATE IS INSTALLED IN FRONT OF THE FINISHED WALL)

INSTALLATION OVER SINGLE FOUNTAIN
SHOWN FROM REAR

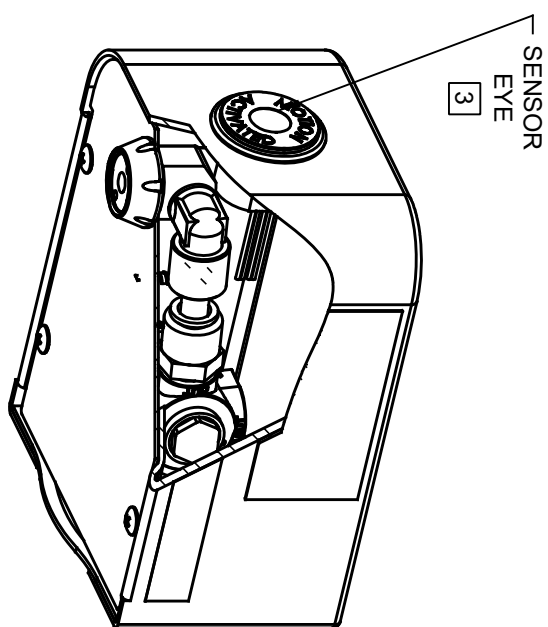
- NOTES:
1. WHEN INSTALLING THIS UNIT, LOCAL, STATE OR FEDERAL CODES SHOULD BE ADHERED TO.

©2017 Haws Corporation - All Rights Reserved. HAWS® and other trademarks used in these materials are the exclusive property of Haws Corporation.

		1455 KLEPPELANE SPARKS, NEVADA 89431 (775) 359-4712 FAX (775) 359-7424 E-MAIL: HAWS@HAWSCO.COM WEBSITE: WWW.HAWSCO.COM	
ECNO	REVISED PER:	MODEL(S)	PART NUMBER
DRAWN:	GC:	MODEL 1109 AND 1109.14 WITH	1109-20
GE	DATE: 09/31/17	MODEL 1920 BOTTLE FILLER	REVISION DA.1
APPROVED:	DATE:	SCALE: 1:1	DRAWING TYPE: INSTALLATION
		SHEET: A	SHEET 2 OF 2



1920HO SERIES MOUNTING HOLE LOCATIONS
(3/8" - 16 UNC MOUNTING HARDWARE NOT SUPPLIED)



NOTES:

1. SEE SEPARATE INSTALLATION DRAWINGS FOR MOUNTING PLATES AND BACKPANELS
2. WHEN INSTALLING THIS UNIT, LOCAL, STATE OR FEDERAL CODES SHOULD BE ADHERED TO FOR INSTALLATION LOCATIONS, WASTE AND SUPPLY REQUIREMENTS OTHER THAN SHOWN.
3. REFER TO 1RKHO.H OPERATION & MAINTENANCE INSTRUCTIONS FOR SENSOR SETUP.



1455 KLEPPE LANE
SPARKS, NEVADA 89431
(775) 359-4712 FAX (775) 359-7424
E-MAIL: HAWS@HAWSCCO.COM
WEBSITE: WWW.HAWSCCO.COM

EQ. NO. REVISIONS PER BY	MODEL(S)	PART NUMBER
5274	1920HO/1920HPSHO/1920W	0510001063.D
DATE	SCALE	REVISION
05/19/21	N/A	4
APPROVED: B.M.	DRAWING TYPE	SHEET 1 OF 6
	INSTALLATION	