

### FEATURES & BENEFITS

#### CONSTRUCTION

Barrier-free design with an 18-gauge Type 304 satin finished stainless steel swirl bowl assembly mounted on a 14-gauge Type 304 stainless steel wall bracket. Unit includes an in-wall mounting frame, and front panel access for P-trap and stop.

#### VANDAL RESISTANT

The bubbler head, sensor, round bowl, drain strainer and bottom plate are locked in place, discouraging unwanted vandal tampering, and 30-second obstruction time-out to reduce tampering of sensor.

#### BOTTLE FILLER

14-gauge Type 304 stainless steel bottle filler housing with touchless operation and 1 gpm (3.78L) laminar flow with 30-second obstruction time-out.

#### BUBBLER HEAD

Polished chrome-plated brass bubbler head with integral laminar flow prevents splashing while providing a superior flow pattern. The integral 11/16" dia. basin shank and stainless anti-rotation roll pin for vandal resistance strength. Shielded, angled stream opening provides a steady source of drinking water at .45 gpm.

#### FOUNTAIN VALVES

Bottle filler incorporates a touchless sensor operated stainless steel solenoid valve controlled by a transformer, and a push-button activated valve which offers the only all stainless-steel valve body that is machined out of solid bar stock and is fully serviceable through the front of the push button assembly offering access to the water control cartridge and integral water supply strainer on the fountain.

#### MOUNTING

Galvanized frame and 10 gauge surface plate provide the maximum mounting strength for the single bubbler drinking fountains.

### OPTIONS

- Mounting Plate: Model 6700, in-wall mounting plate for model 1920HO.
- Mounting Plate: Model 6700R, on-wall mounting plate for model 1920HO.
- Remote Drinking Fountain Water Chiller: Model HCR8, 8 gph (30.3 L) remote water chiller provides instantaneous cooling to meet a continuous demand for chilled water.
- Bottle Filler Stand: Model BTL1001, add-on stainless steel stand to place bottle on when 1920 bottle filler is used.

For more information, visit [www.hawesco.com](http://www.hawesco.com) or call (888) 640-4297.



### REQUIRED MODELS

#### 1001MS / MTGFR.DF1 / 1920HO / BP15

Order these items to make up the Model 1001MS-1920HO fountain with stainless steel back panel, bottle filler with stainless steel back plate, and fountain mounting frame shown above.

#### FOR INDOOR USE ONLY

### SPECIFICATIONS

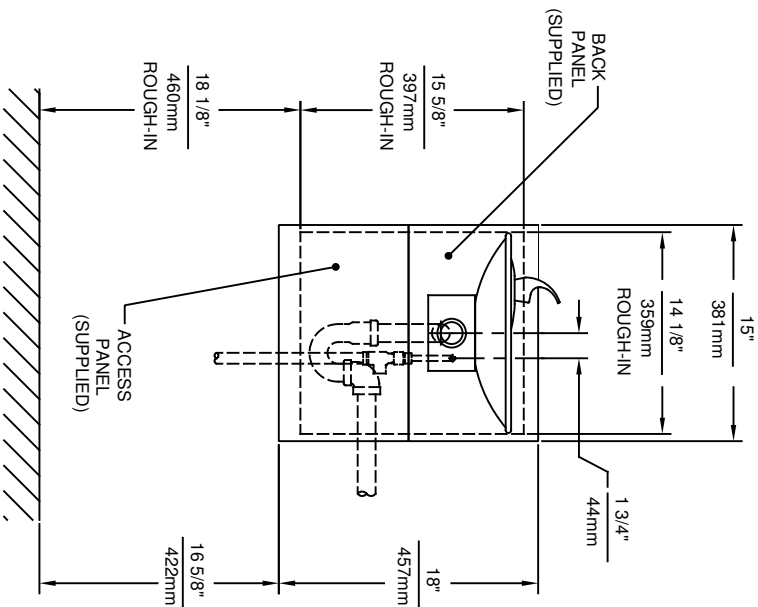
Model 1001MS-1920HO ADA wall-mounted vandal-resistant drinking fountain and motion activated bottle filler shall include an 18-gauge Type 304 Stainless Steel satin finish basin with integral swirl design, 14 gauge Type 304 Stainless Steel wall bracket and bottle filler bracket, in-wall mounting frame with lower access panel allowing for front access of P-trap and stop, 100% lead-free waterways, touchless sensor operated solenoid valve with 30-second obstruction time-out on the bottle filler, and vandal-resistant push-button operated stainless-steel valve with front accessible cartridge and flow adjustment on the fountain, polished chrome-plated brass vandal resistant bubbler head with integral laminar anti-squirt flow, 1gpm (3.78L) laminar flow bottle filler, chrome-plated brass vandal-resistant waste strainer, stainless steel satin finish back panels, and 1-1/4" O.D.(3.2 cm) waste pipe. Manufactured to be lead-free by all known definitions including NSF/ ANSI/CAN 61-Section 9, NSF/ANSI/ CAN 372, California Proposition 65, and the Federal Safe Drinking Water Act. Product is compliant to California Health and Safety Code 116875 (AB 1953-2006), and 116876 (AB 100) "NSF/ANSI/CAN 61: Q ≤ 1".

**The bottle filler requires a mounting plate; either the Haws model 6700 in-wall or the 6700R on-wall support plate.**

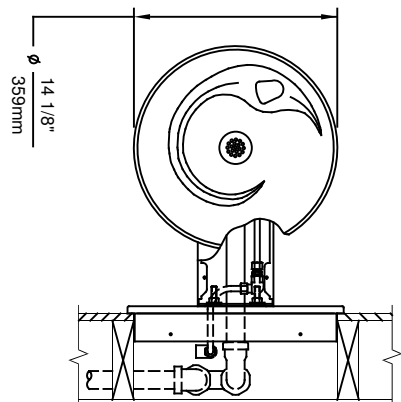


**NOTES:**

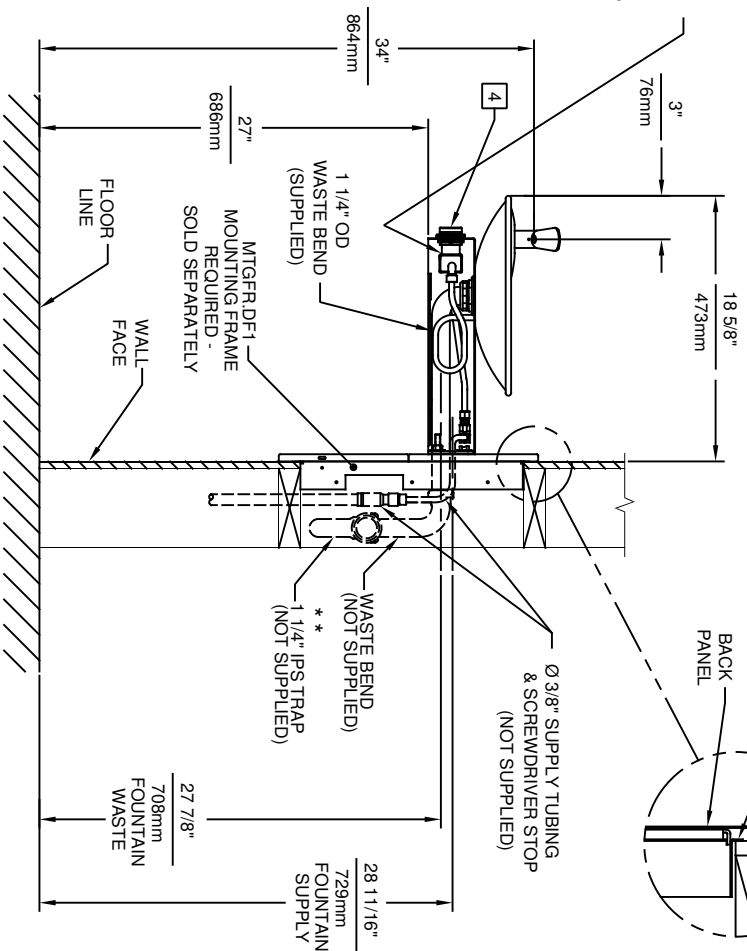
1. HOLD ROUGH-IN DIMENSIONS ± 1/8" (3.2mm).
2. WHEN INSTALLING THIS UNIT, LOCAL, STATE, OR FEDERAL CODES SHOULD BE ADHERED TO FOR INSTALLATION DIMENSIONS (LOCATIONS), WASTE AND SUPPLY REQUIREMENTS OTHER THAN SHOWN.
3. \*\* INSTALLER MUST PROVIDE TRAP FOR PROPER INSTALLATION.
- 4 REFER TO 5874 SERIES OPERATION AND MAINTENANCE MANUAL FOR PUSH BUTTON AND VALVE INSTALLATION/MAINTENANCE INSTRUCTIONS.



REMOVE VALVE FROM PUSH BUTTON TO INSTALL WASTE ELBOW ONTO BOWL. AFTER WASTE ELBOW IS INSTALLED, REINSTALL VALVE & ADJUST FLOW



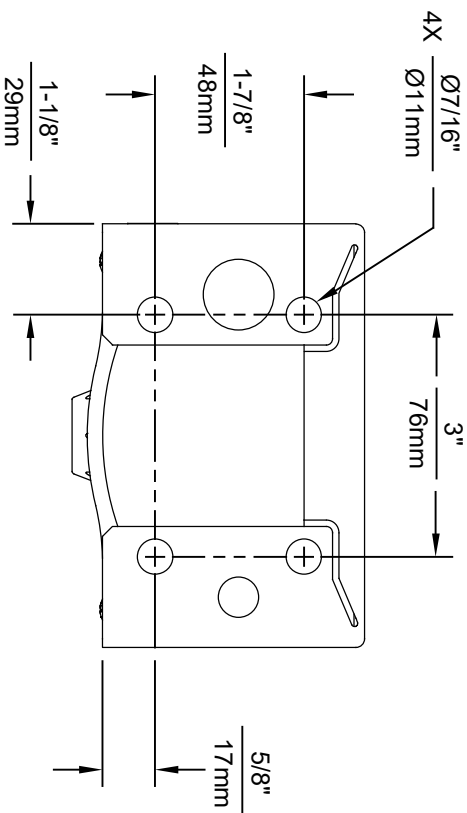
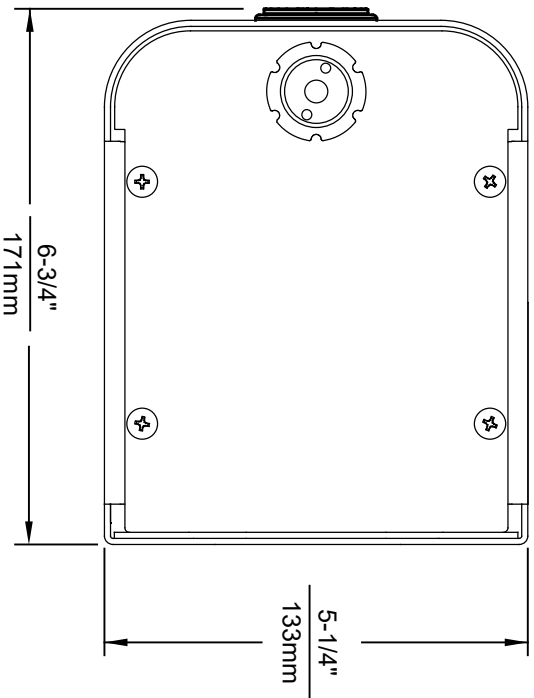
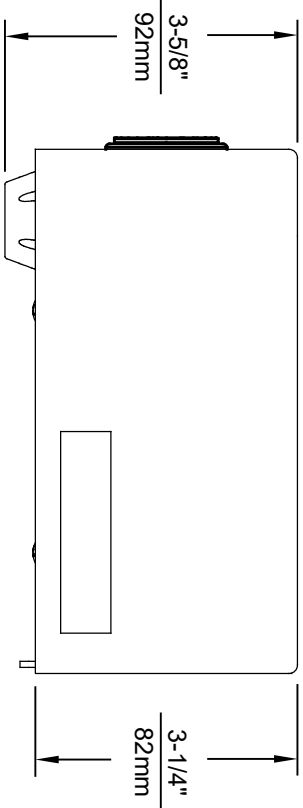
IMPORTANT: MOUNTING FRAME MUST BE INSTALLED SO THAT FRAME FLANGE BUTTS AGAINST FINISHED WALL FACE.



**Haws**

1456 KLEPPE LANE  
SPARKS, NEVADA, 89431  
(775) 359-4712 FAX (775) 359-7424  
E-MAIL: HAWS@HAWS.CO.COM  
WEBSITE: WWW.HAWS.CO.COM

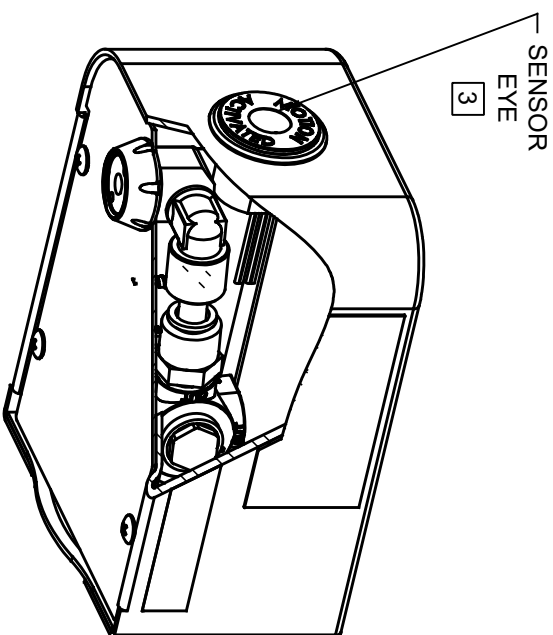
ECN NO. REVISED PER BY:	MODEL(S)
ECN: 5527 FV	1 001 1MS/1 001 HPSMS
DATE: 08/02/99	
CHKD: DP	
APPROVED: FV	
DATE: 04/02/20	
SCALE: 1:14	DRAWING TYPE: INSTALLATION
SIZE: A	SHEET: 1 OF 1
PART NUMBER: 0002076510.D	REVISION: 10



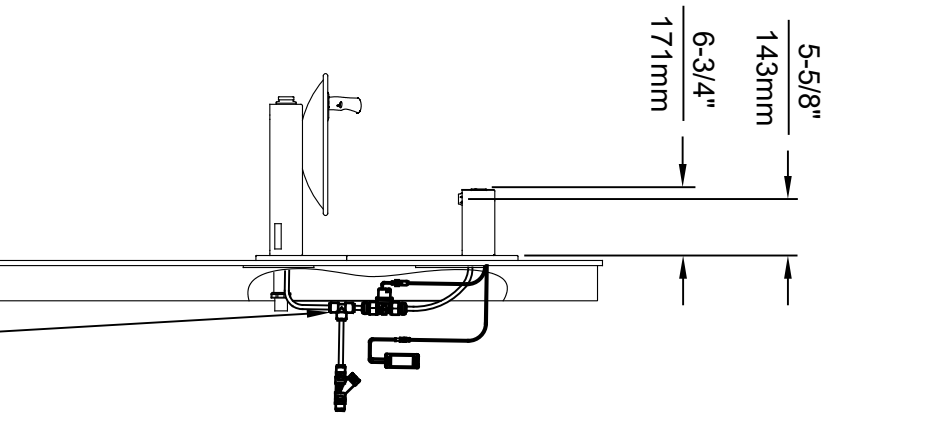
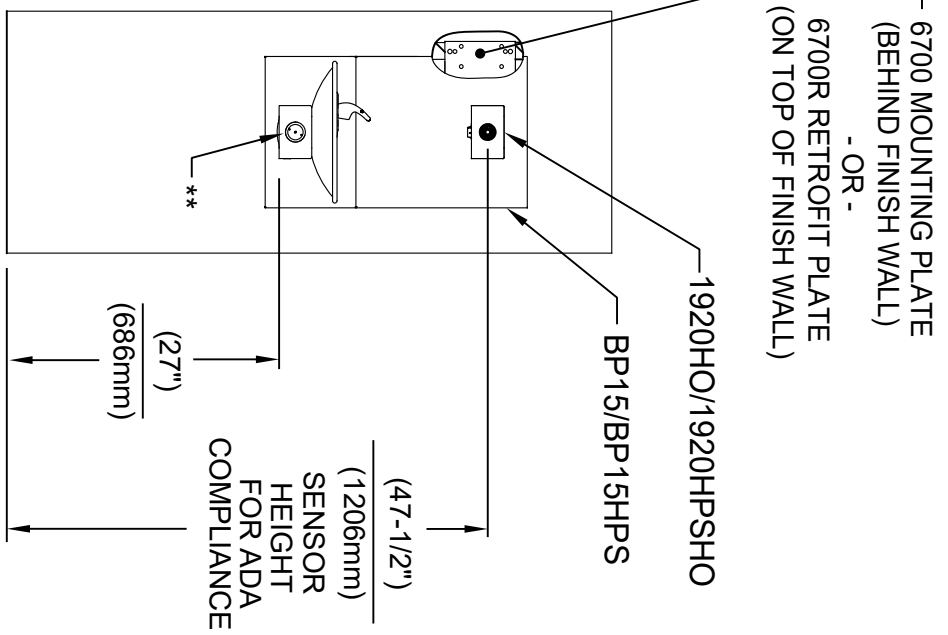
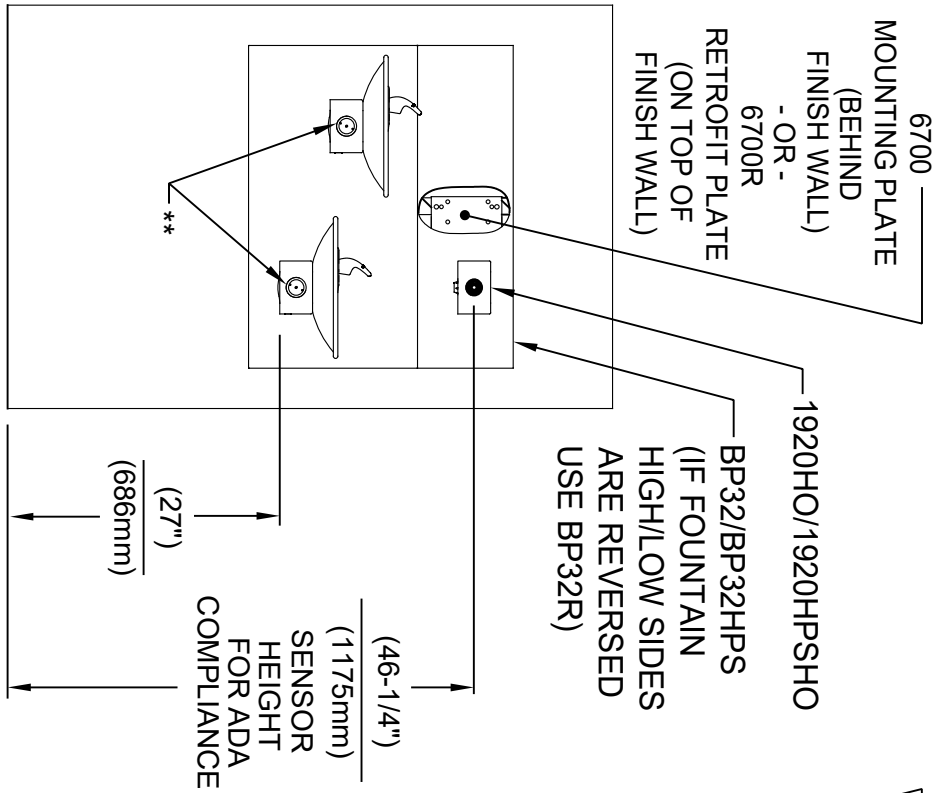
1920HO SERIES MOUNTING HOLE LOCATIONS  
(3/8\"-16 UNC MOUNTING HARDWARE NOT SUPPLIED)

NOTES:

1. SEE SEPARATE INSTALLATION DRAWINGS FOR MOUNTING PLATES AND BACKPANELS
2. WHEN INSTALLING THIS UNIT, LOCAL, STATE OR FEDERAL CODES SHOULD BE ADHERED TO FOR INSTALLATION LOCATIONS, WASTE AND SUPPLY REQUIREMENTS OTHER THAN SHOWN.
3. REFER TO 1RKHO.H OPERATION & MAINTENANCE INSTRUCTIONS FOR SENSOR SETUP.



		<b>Haws</b>	
1459 KLEPPE LANE SPARKS, NEVADA, 89431 (775) 359-4712 FAX (775) 359-7424 E-MAIL: HAWS@HAWSCO.COM WEBSITE: WWW.HAWSCO.COM		MODEL(S) 1920HO/1920HPPSHO/1920WHO	
ECN NO. 5574	REMOVED PER BY: BJM	DATE: 08/18/20	CH/CD: FV
APPROVED: BJM	DATE: 05/12/21	SCALE: N/A	DRAWING TYPE: INSTALLATION
PART NUMBER 0510001063.D		REVISION: 4	
SIZE: A		SHEET: 1 OF 6	

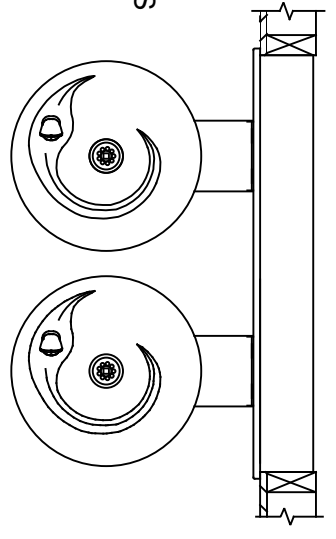


**INSTALLATION ABOVE HAWS 1011 & H1011.8 SERIES**

**INSTALLATION ABOVE HAWS 1001 & H1001.8 SERIES**

\* IF YOUR FOUNTAIN IS THIS STYLE USE THESE DIMENSIONS

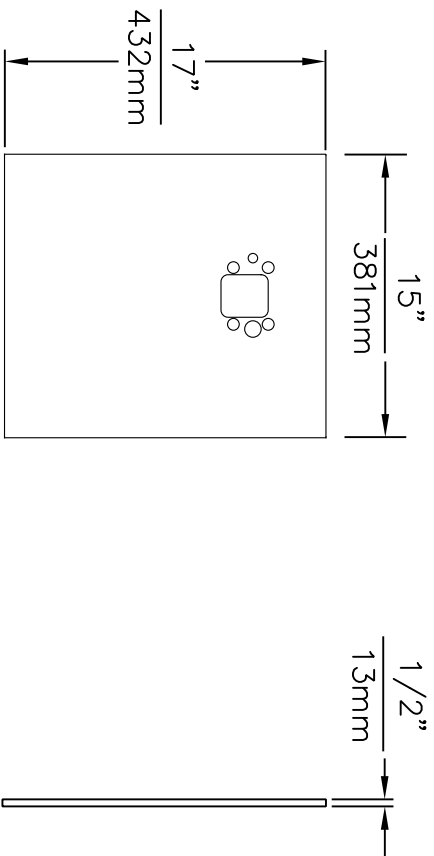
1. SEE SEPARATE INSTALLATION DRAWINGS FOR MOUNTING PLATES AND BACKPANELS
2. WHEN INSTALLING THIS UNIT, LOCAL, STATE OR FEDERAL CODES SHOULD BE ADHERED TO FOR INSTALLATION LOCATIONS, WASTE & SUPPLY REQUIREMENTS OTHER THAN SHOWN.



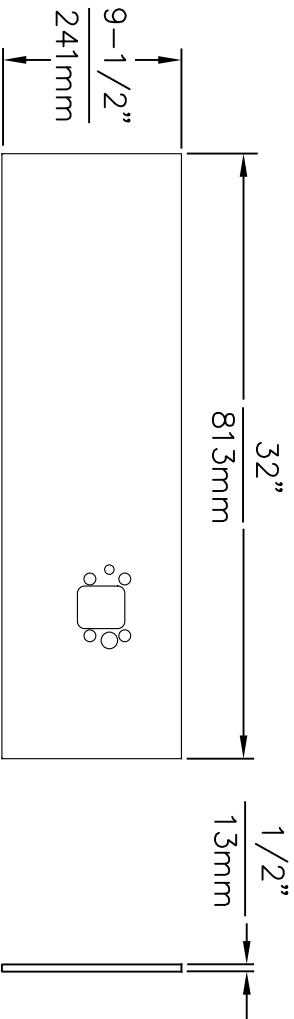
\*\* EXISTING PUSH BUTTON ASSEMBLY SHOWN, CAN BE CONVERTED TO HANDS OFF STYLE, USING RETRO-FIT KIT MODEL 1RKHO.H OR 2RKHO.H DEPENDING ON CUSTOMER REQUIREMENTS.

3/8" O.D. SUPPLY TUBING AND 3/8" O.D. PUSH-IN TEE SUPPLIED. (CONNECT TO FOUNTAIN SUPPLY LINE)

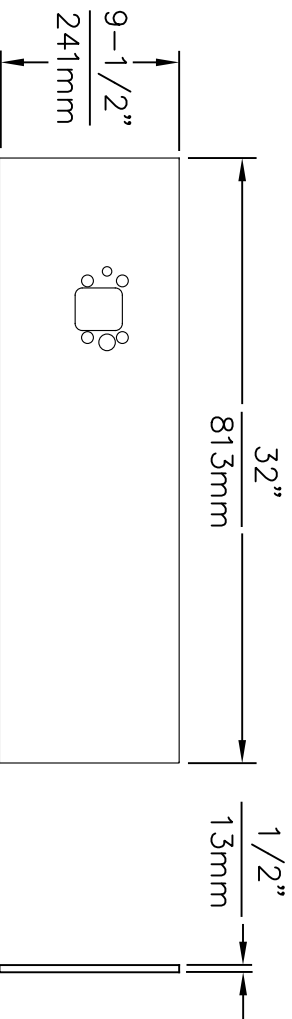
		<b>Haws</b>	
1459 KLEPPE LANE SPARKS, NEVADA 89431 (775) 359-4712 FAX (775) 359-7424 E-MAIL: HAWS@HAWSCO.COM WEBSITE: WWW.HAWSCO.COM		MODEL(S) 1920HO/1920HPSHO/1920WHO	
ECN NO. REVISED PER BY: 5574 ECN:5981 BJM	DATE: CHKD: 08/18/20 FV	APPROVED: BJM	DATE: 09/13/21
SCALE: N/A	DRAWING TYPE: INSTALLATION	SHEET: 2	OF: 6
PART NUMBER 0510001063.D	REVISION 4		



**MODEL BP15 / BP15HPS / BP15W**



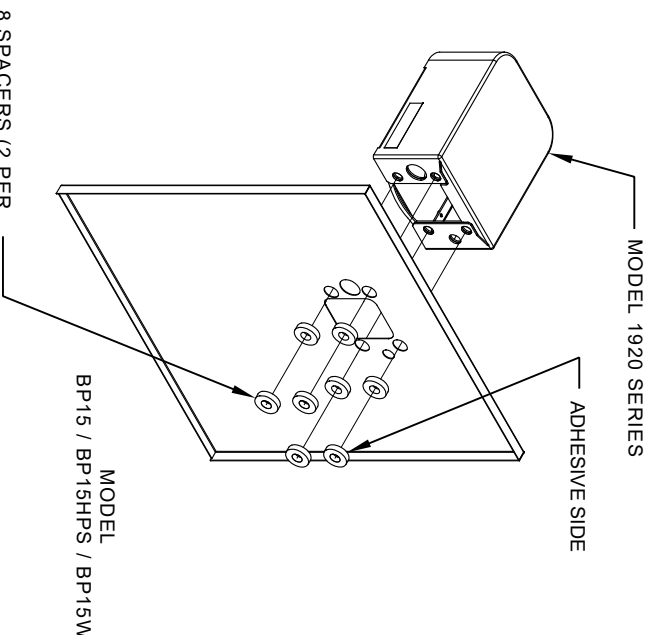
**MODEL BP32 / BP32HPS / BP32W**



**MODEL BP32R / BP32RW**

**NOTES:**

1. WHEN INSTALLING THIS UNIT, LOCAL, STATE OR FEDERAL CODES SHOULD BE ADHERED TO.

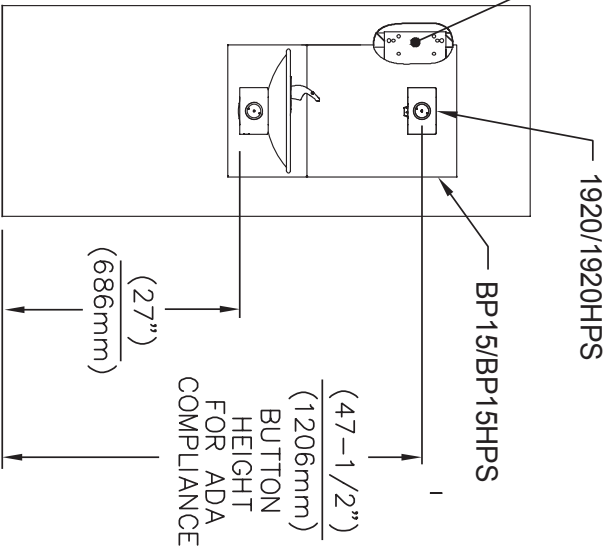


8 SPACERS (2 PER MOUNTING BOLT IF THE MOUNTING PLATE IS INSTALLED BEHIND THE FINISHED WALL. USE 1 SPACER PER BOLT FOR RETROFITS WHERE THE MOUNTING PLATE IS INSTALLED IN FRONT OF THE FINISHED WALL)

**INSTALLATION OVER SINGLE FOUNTAIN**  
SHOWN FROM REAR

		<b>MODEL(S)</b>	
DRAWING: BACK PANEL, SPACER		DRAWING TYPE: INSTALLATION	
INSTALLATION, BOTTLE FILLER		SCALE: 1:1	
E.C.N. NO. REVISED PER BY: 5081 E.C.N. 5665 F.V.		PART NUMBER 0510000493	
DRAWN: DATE: 06/27/16		REVISION: 3	
APPROVED: F.V. DATE: 03/04/21		SHEET 1 OF 2	
1456 KLEPPE LANE SPARKS, NEVADA, 89431 (775) 359-4712 FAX (775) 359-7424 E-MAIL: HAWS@HAWS.CO.COM WEBSITE: WWW.HAWS.CO.COM			

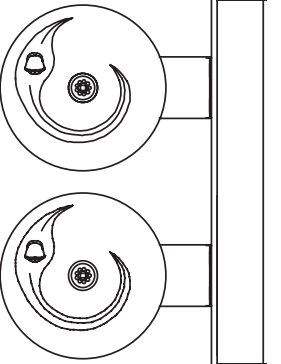
6700 MOUNTING PLATE  
(BEHIND FINISH WALL)  
- OR -  
6700R RETROFIT PLATE  
(ON TOP OF FINISH WALL)



INSTALLATION ABOVE HAWS 1001, 1001HPS,

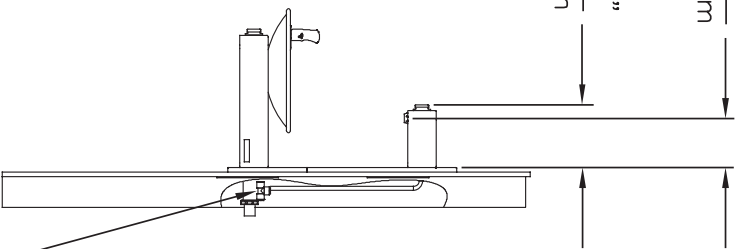
\* IF YOUR FOUNTAIN IS THIS STYLE USE THESE DIMENSIONS

1. SEE SEPARATE INSTALLATION DRAWINGS FOR MOUNTING PLATES AND BACKPANELS
2. WHEN INSTALLING THIS UNIT, LOCAL, STATE OR FEDERAL CODES SHOULD BE ADHERED TO FOR INSTALLATION LOCATIONS, WASTE & SUPPLY REQUIREMENTS OTHER THAN SHOWN.



5-5/8"  
143mm

7-1/4"  
184mm



3/8" PUSH IN TEE  
(CONNECT TO  
FOUNTAIN SUPPLY)



1455 KLEPPE LANE  
SPARKS, NEVADA 89431  
(775) 359-4712 FAX (775) 359-7424  
E-MAIL: HAWS@HAWSCO.COM  
WEBSITE: WWW.HAWSCO.COM

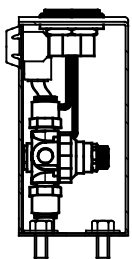
EDNNO	REVISED/PER BY:	MODEL(S)	MODEL 1001 AND 1001HPS
DRAWN	DATE	CHK'D	WITH MODEL 1920 BOTTLE FILLER
APP'VED	DATE	SCALE	N/A DRAWING TYPE: INSTALLATION
		SIZE	A1 SHEET 1 OF 2
		PART NUMBER	1001-20
		REVISION	0A.1

© Haws Corporation - All Rights Reserved. HAWS® and other trademarks used in these materials are the exclusive property of Haws Corporation.

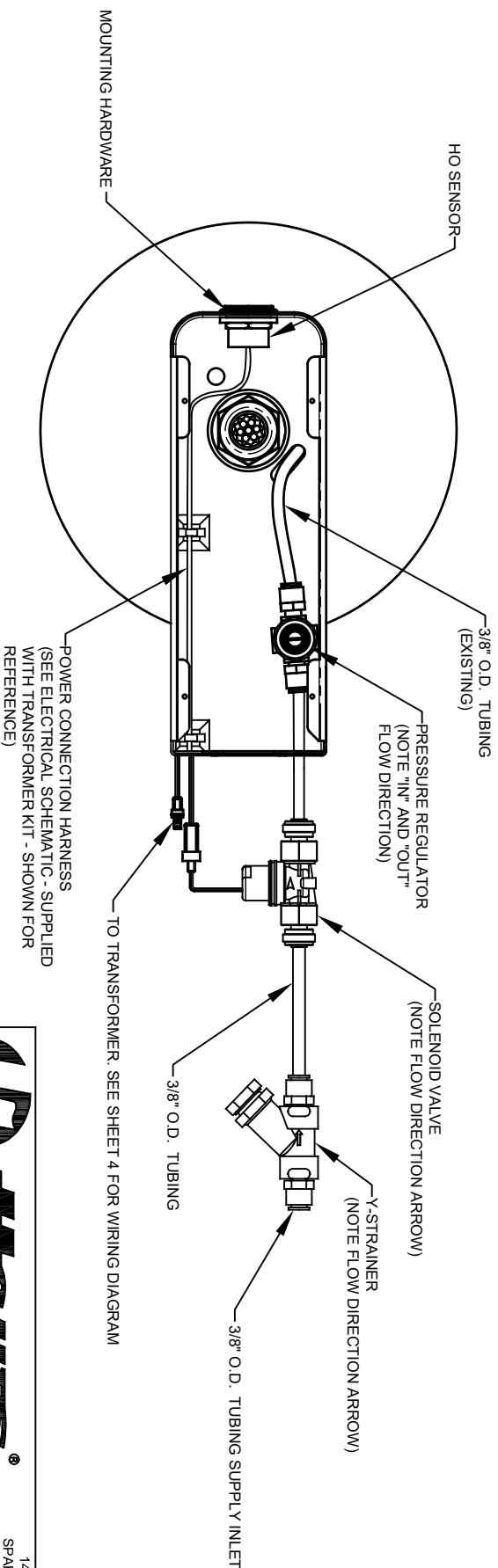
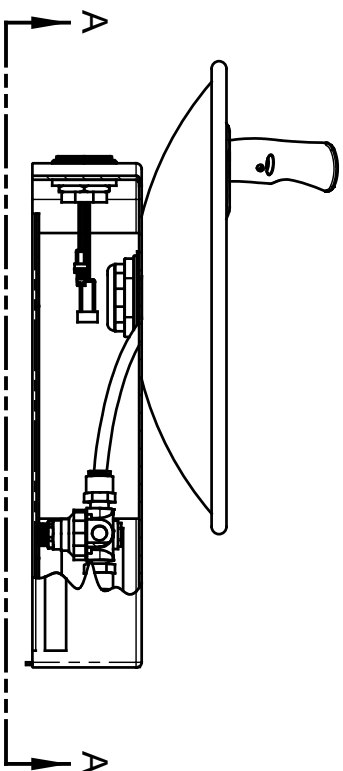
**NOTES:**

1. 1RKHO.P AND 1RKHO.H RETROFIT KITS ALLOW INDOOR FOUNTAINS TO BE CONVERTED FROM A HAWS 5874 PUSH BUTTON VALVE TO HANDS-OFF (TOUCHLESS) OPERATION. FOUNTAINS (NOT SUPPLIED) MAY BE MOUNTED ON THE EXTERNAL WALL OF A BUILDING PROVIDED THE TRANSFORMER SHALL BE MOUNTED INSIDE THE WALL AND PROTECTED FROM WATER AS SHOWN IN THIS INSTALLATION PER NEC/CEC AND LOCAL CODE. AVOID DIRECT CONTACT WITH SUNLIGHT ON THE SENSOR LENS.
2. RETROFIT KIT MODELS:  
 1RKHO.P: INDOOR HO RETROFIT KIT (INCLUDES HO SENSOR WITH MOUNTING HARDWARE, SOLENOID VALVE, REGULATOR, AND 100-240V PLUG-IN TRANSFORMER - SEE SHEET 2).  
 1RKHO.H: INDOOR HO RETROFIT KIT (INCLUDES HO SENSOR WITH MOUNTING HARDWARE, SOLENOID VALVE, REGULATOR, AND 100-277V HARDWIRE TRANSFORMER - SEE SHEET 3).  
 1RKHO.P REQUIRES 100-240VAC POWER CONNECTION. 1RKHO.H REQUIRES 100-277V POWER CONNECTION.
3. TRANSFORMERS MUST BE MOUNTED SUCH THAT THEY ARE PROTECTED FROM WATER.
4. 1RKHO.P TRANSFORMER IS COMPATIBLE WITH TYPE A AND TYPE B NORTH AMERICAN ELECTRICAL OUTLETS. FOR OTHER RECEPTACLE TYPES, AN ADAPTER (NOT SUPPLIED) MUST BE PROVIDED BY OTHERS.

(NOTES CONTINUED ON SHEET 4)



**EXAMPLE 1920 BOTTLE FILLER INSTALLATION**



**VIEW A - A**

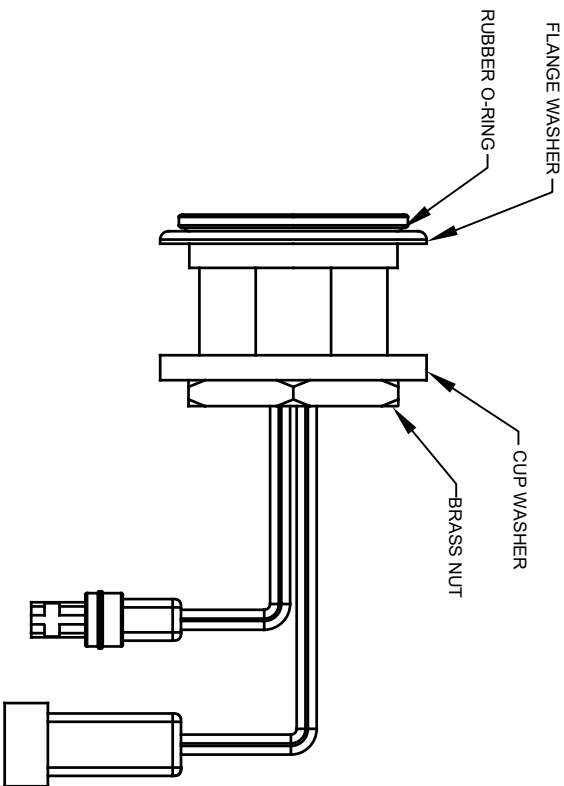
(BOTTOM PLATE OMITTED FOR CLARITY)



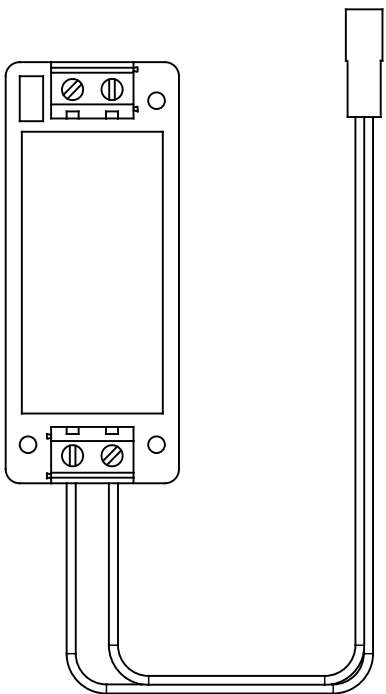
**Haws**

1459 KLEPPE LANE  
 SPARKS, NEVADA, 89431  
 (775) 359-4712 FAX (775) 359-7424  
 E-MAIL: HAWS@HAWS.CO.COM  
 WEBSITE: WWW.HAWS.CO.COM

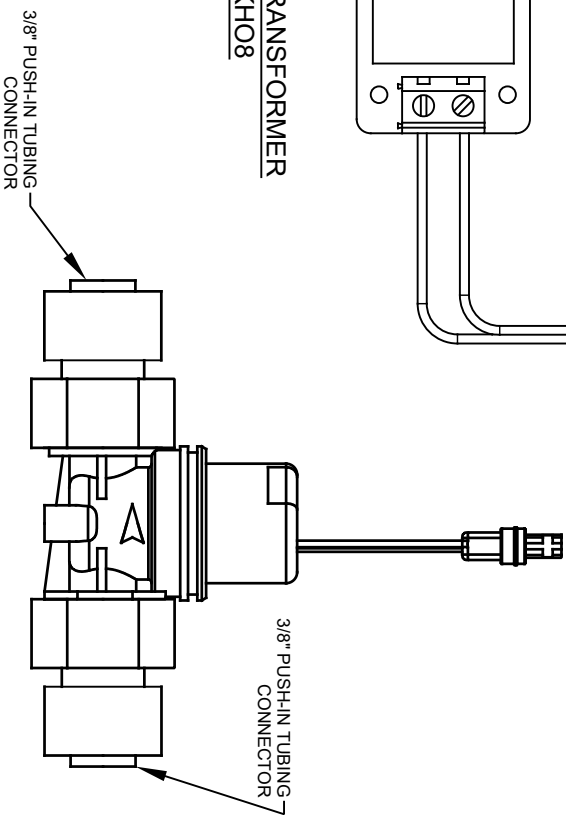
ECN NO. REVISED PER BY:	MODEL(S)	PART NUMBER
5898 ECN: 5749 BJM	1RKHO.P / 1RKHO.H	0580001133.D
DATE: CHKD:	SINGLE HANDS-OFF RETRO-FIT KIT	REVISION:
1/23/20 FV		5
APPROVED: BJM	SCALE: N/A	DRAWING TYPE: INSTALLATION
DATE: 10/26/21		SIZE: A SHEET: 1 OF 4



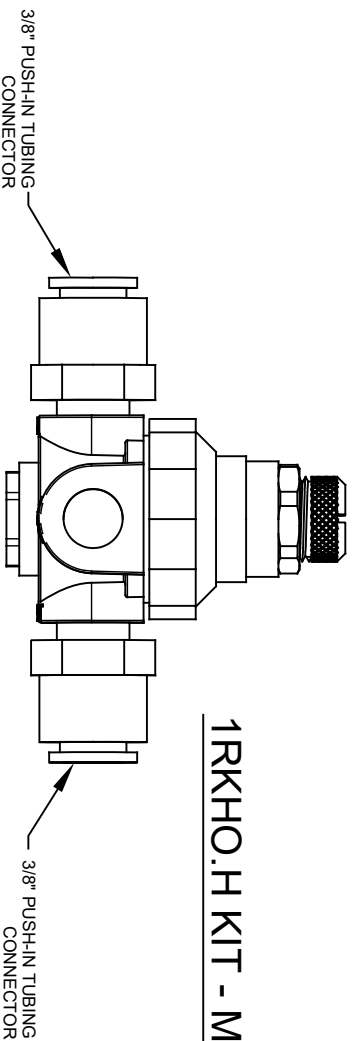
HO SENSOR ASSEMBLY  
VRKH06



HARDWARE TRANSFORMER  
VRKH08

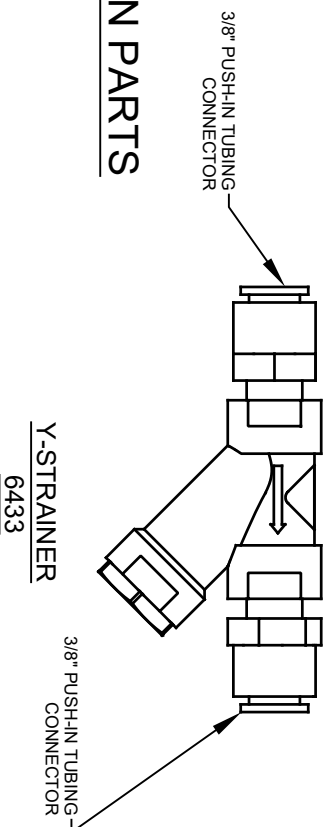


SOLENOID VALVE ASSEMBLY  
VRKH05



VALVE REGULATOR  
5867

1RKHO.H KIT - MAIN PARTS



**Haws**

1459 KLEPPE LANE  
SPARKS, NEVADA, 89431  
(775) 359-4712 FAX (775) 359-7424  
E-MAIL: HAWS@HAWS.CO.COM  
WEBSITE: WWW.HAWS.CO.COM

ECN NO. REVISED PER BY:	5898	ECN. 5749	BLM	MODEL(S)	1RKHO.P / 1RKHO.H
DRAWN:	BLM	DATE:	02/09/21	CHK'D:	BLM
APPROVED:	BLM	DATE:	10/20/21	SCALE:	N/A
				DRAWING TYPE:	INSTALLATION
				SIZE:	A
				SHEET:	3 OF 4
				PART NUMBER	0580001133.D
				REVISION:	4