



# Haws®

# model 1001HPSMS-1920HPSHO

ADA Vandal-Resistant Polished Fountain and Motion-Activated Bottle Filler

## FEATURES & BENEFITS

### CONSTRUCTION

Rugged ADA accessible 18 gauge Type 304 Stainless Steel swirl design bowl, 14 gauge Type 304 Stainless Steel bracket and bottle filler, and vandal-resistant bottom plates. Unit includes an in-wall mounting frame, and front panel access for P-trap and stop.

### BOTTLE FILLER

14-gauge Type 304 stainless steel bottle filler housing with touchless operation and 1 gpm (3.78L) laminar flow with 30-second obstruction time-out.

### FOUNTAIN VALVES

Bottle filler incorporates a touchless sensor operated stainless steel solenoid valve controlled by a transformer, and a push-button activated valve which offers the only all stainless-steel valve body that is machined out of solid bar stock and is fully serviceable through the front of the push button assembly offering access to the water control cartridge and integral water supply strainer on the fountain.

### BUBBLER HEAD

Polished chrome-plated brass bubbler head with integral laminar flow prevents splashing while providing a superior flow pattern. The integral 1 1/16" dia. basin shank and stainless anti-rotation roll pin for vandal resistance strength. Shielded, angled stream opening provides a steady, sanitary source of drinking water at .45 gpm.

### MOUNTING

Galvanized frame and 10-gauge surface plate provide the maximum mounting strength, and allows front access of Ptrap and stop.

### VANDAL-RESISTANT

The bubbler head, push button, round bowl, drain strainer and bottom plate are locked in place, discouraging unwanted vandal tampering.

## OPTIONS

Mounting Plate: Model 6700, in-wall mounting plate for model 1920.

Mounting Plate: Model 6700R, on-wall mounting plate for model 1920.

Water Filter: Model 6426, 10" x 2" (25.4 x 5.1 cm), in-line lead removal element that reduces lead from incoming water supply.

Remote Drinking Fountain Water Chiller: Model HCR8, 8 gph (30.3 L) remote water chiller provides instantaneous cooling to meet a continuous demand for chilled water.



## REQUIRED MODELS

### 1001HPSMS / MTGFR.DF1 / 1920HPSHO / BP15HPS

Order these items to make up the Model 1001HPSMS-1920HPSHO fountain with stainless steel back panel, bottle filler with stainless steel back plate, and fountain mounting frame shown above.

## FOR INDOOR USE ONLY

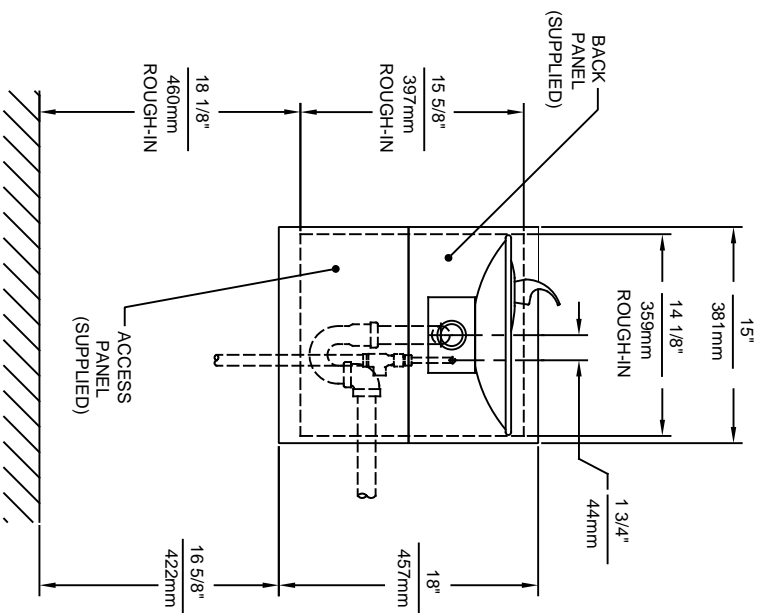
## SPECIFICATIONS

Model 1001HPSMS-1920HPSHO ADA vandal-resistant wall-mounted drinking fountain and motion activated bottle filler shall include an 18-gauge Type 304 polished Stainless Steel basin with integral swirl design, 14 gauge Type 304 polished Stainless Steel wall bracket and bottle filler bracket, in-wall mounting frame with lower access panel allowing for front access of P-trap and stop, 100% lead-free waterways, touchless sensor operated solenoid valve with 30-second obstruction time-out on the bottle filler, and vandal-resistant push-button operated stainless-steel valve with front-accessible cartridge and flow adjustment on the fountain, polished chrome-plated brass vandal-resistant bubbler head with integral laminar anti-squirt flow, 1gpm (3.78L) laminar flow bottle filler, chrome-plated brass vandal-resistant waste strainer, stainless steel satin finish back panels, and 1-1/4" O.D. (3.2 cm) waste pipe. Manufactured to be lead-free by all known definitions including NSF/ANSI/CAN 61-Section 9, NSF/ANSI/CAN 372, California Proposition 65, and the Federal Safe Drinking Water Act. Product is compliant to California Health and Safety Code 116875 (AB 1953-2006), and NSF/ANSI/CAN 61: Q ≤ 1.

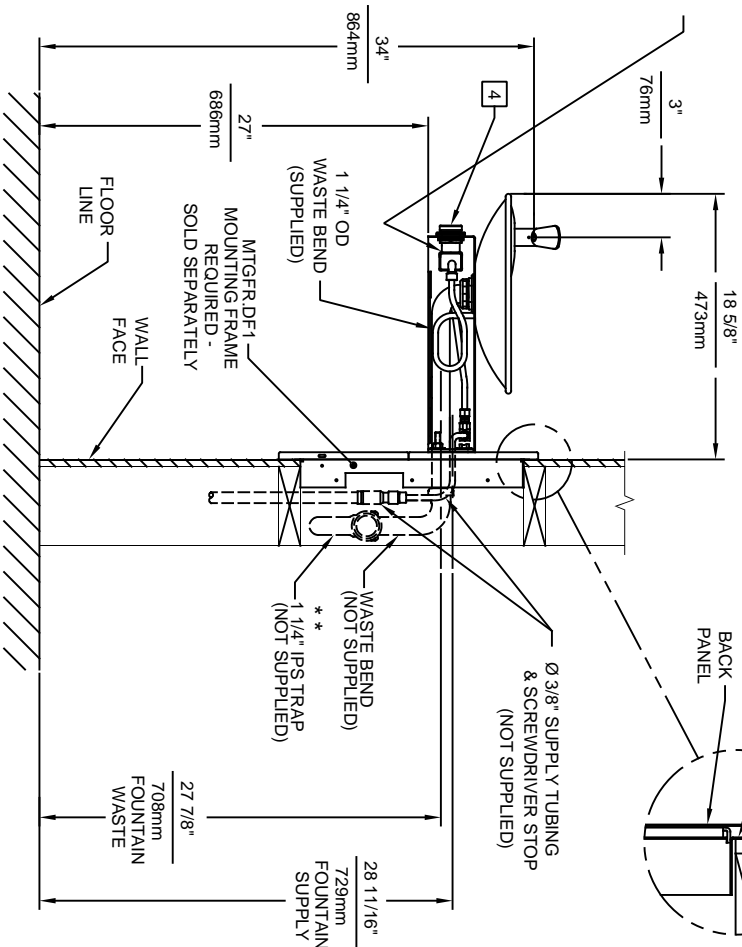
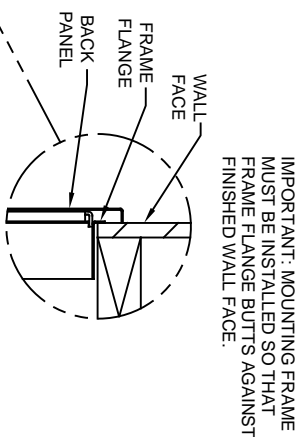
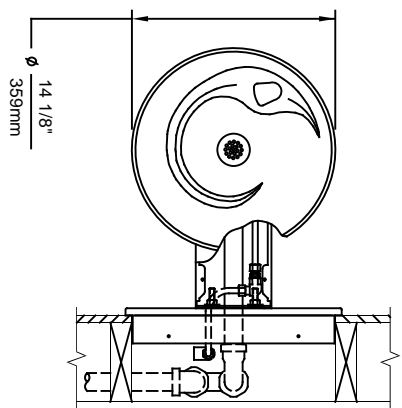


**NOTES:**

1. HOLD ROUGH-IN DIMENSIONS  $\pm 1/8"$  (3.2mm).
2. WHEN INSTALLING THIS UNIT, LOCAL, STATE, OR FEDERAL CODES SHOULD BE ADHERED TO FOR INSTALLATION DIMENSIONS (LOCATIONS), WASTE AND SUPPLY REQUIREMENTS OTHER THAN SHOWN.
3. \*\* INSTALLER MUST PROVIDE TRAP FOR PROPER INSTALLATION.
4. REFER TO 5874 SERIES OPERATION AND MAINTENANCE MANUAL FOR PUSH BUTTON AND VALVE INSTALLATION/MAINTENANCE INSTRUCTIONS.



REMOVE VALVE FROM PUSH BUTTON TO INSTALL WASTE ELBOW ONTO BOWL. AFTER WASTE ELBOW IS INSTALLED, REINSTALL VALVE & ADJUST FLOW



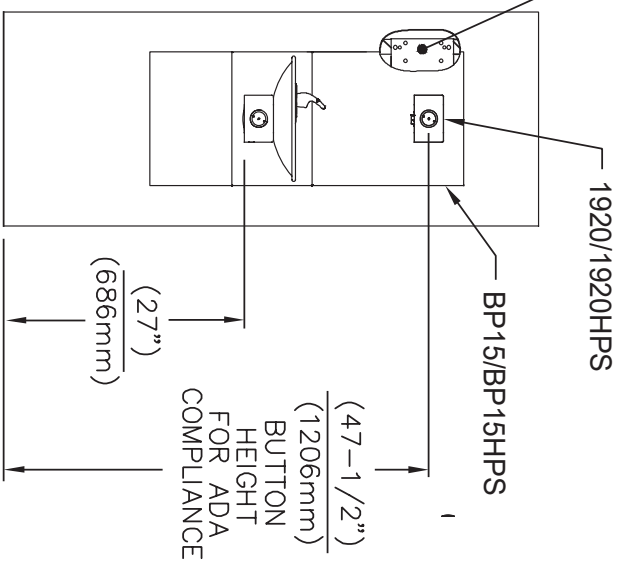
**Haws**

1456 KLEPPE LANE  
SPARKS, NEVADA, 89431  
(775) 359-4712 FAX (775) 359-7424  
E-MAIL: HAWS@HAWSCO.COM  
WEBSITE: WWW.HAWSCO.COM

ECN NO. REVISED PER BY:	MODEL(S)
ECN: 5527 FV	1001MS/1001HPSMS
DRAWN: PM	SCALE: 1:14
DATE: 08/02/99	DRAWING TYPE: INSTALLATION
CHKD: DP	SIZE: A
APPROVED: FV	SHEET: 1 OF 1
DATE: 04/02/20	REVISION: 10
PART NUMBER: 0002076510.D	

THIS DOCUMENT IS TRUE AND CORRECT AT TIME OF PUBLICATION. CONTINUED PRODUCT IMPROVEMENTS MAKE SPECIFICATIONS AND MEASUREMENTS SUBJECT TO CHANGE WITHOUT NOTICE.

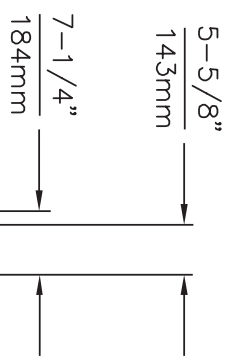
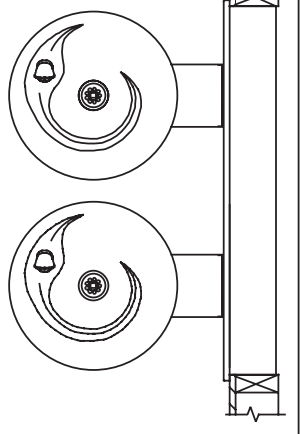
6700 MOUNTING PLATE  
(BEHIND FINISH WALL)  
- OR -  
6700R RETROFIT PLATE  
(ON TOP OF FINISH WALL)



**INSTALLATION ABOVE HAWS 1001MS AND 1001HPSMS**

\* IF YOUR FOUNTAIN IS THIS STYLE USE THESE DIMENSIONS

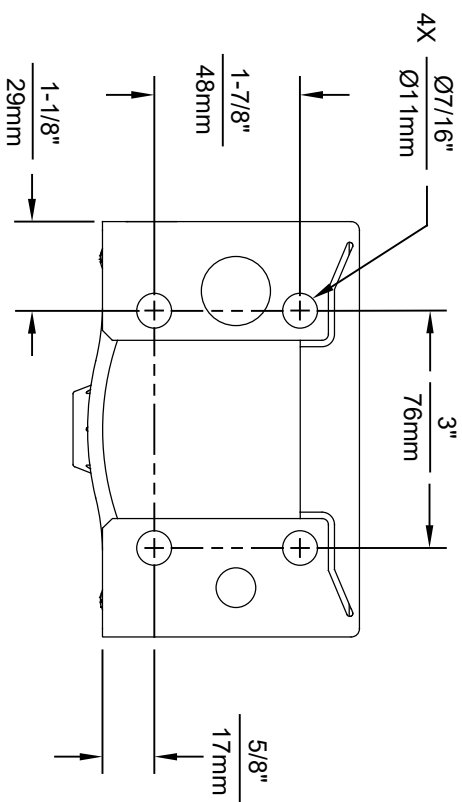
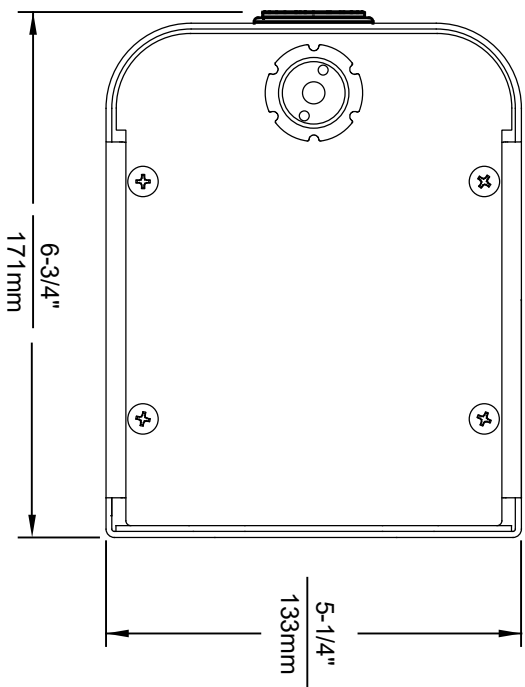
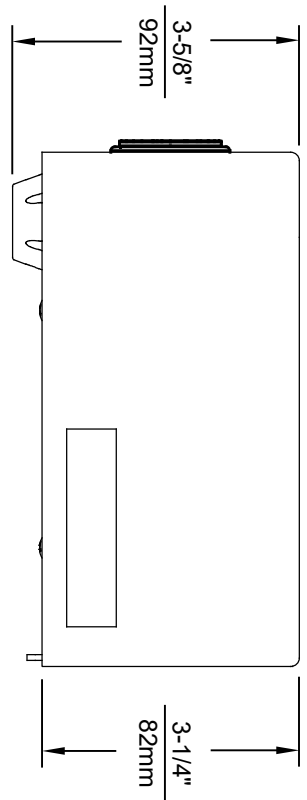
1. SEE SEPARATE INSTALLATION DRAWINGS FOR MOUNTING PLATES AND BACKPANELS
2. WHEN INSTALLING THIS UNIT, LOCAL, STATE OR FEDERAL CODES SHOULD BE ADHERED TO FOR INSTALLATION LOCATIONS, WASTE & SUPPLY REQUIREMENTS OTHER THAN SHOWN.



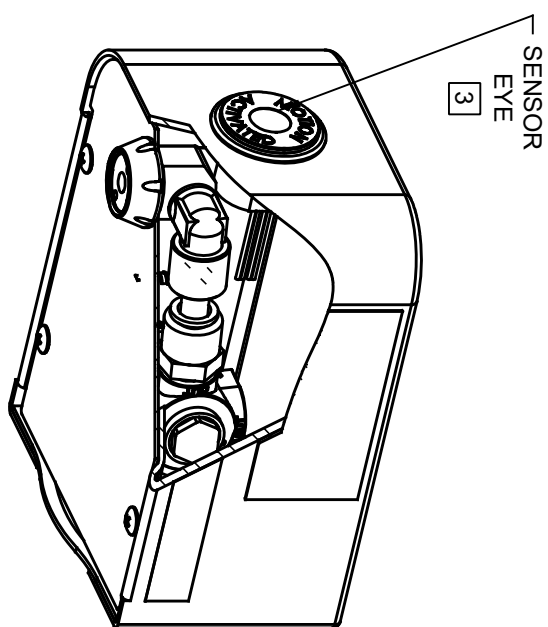
3/8" PUSH IN TEE  
(CONNECT TO FOUNTAIN SUPPLY)

		<b>Haws</b>	
1455 KLEPPE LANE SPARKS, NEVADA 89431 (775) 359-4712 FAX (775) 359-7424 EMAIL: HAWS@HAWS.CO.COM WEBSITE: WWW.HAWS.CO.COM		MODEL(S) MODEL 1001MS AND 1001HPSMS WITH MODEL 1920 BOTTLE FILLER	
EGN NO. REVISED PER BY	ENCL. DATE	CHK'D. DATE	SCALE
DRAWN: GC	DATE: 07/13/17	GC	NA
APPROVED:			DRAWING TYPE:
			INSTALLATION
			SIZE: A
			SHEET 1 OF 2
PART NUMBER	REVISION		
1001MS-20	0A.1		

©2017 Haws Corporation - All Rights Reserved. HAWS® and other trademarks used in these materials are the exclusive property of Haws Corporation.



1920HO SERIES MOUNTING HOLE LOCATIONS  
(3/8" - 16 UNC MOUNTING HARDWARE NOT SUPPLIED)



NOTES:

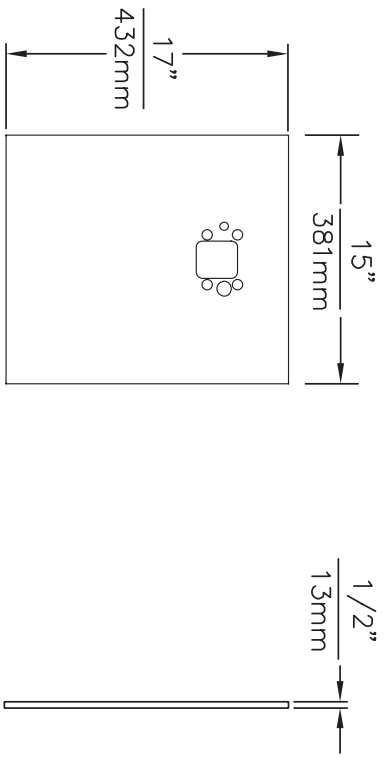
1. SEE SEPARATE INSTALLATION DRAWINGS FOR MOUNTING PLATES AND BACKPANELS
2. WHEN INSTALLING THIS UNIT, LOCAL, STATE OR FEDERAL CODES SHOULD BE ADHERED TO FOR INSTALLATION LOCATIONS, WASTE AND SUPPLY REQUIREMENTS OTHER THAN SHOWN.
3. REFER TO 1RKHO.H OPERATION & MAINTENANCE INSTRUCTIONS FOR SENSOR SETUP.



1455 KLEPPE LANE  
SPARKS, NEVADA 89431  
(775) 359-4712 FAX (775) 359-7424  
E-MAIL: HAWS@HAWSCCO.COM  
WEBSITE: WWW.HAWSCCO.COM

EQ. NO. REVISIONS PER BY	MODEL(S)	PART NUMBER
5274		0510007063.D
DATE	SCALE	REVISION
05/19/21	N/A	4
APPROVED: B.M.	DRAWING TYPE	SHEET 1 OF 6
	INSTALLATION	
	SIZE A	

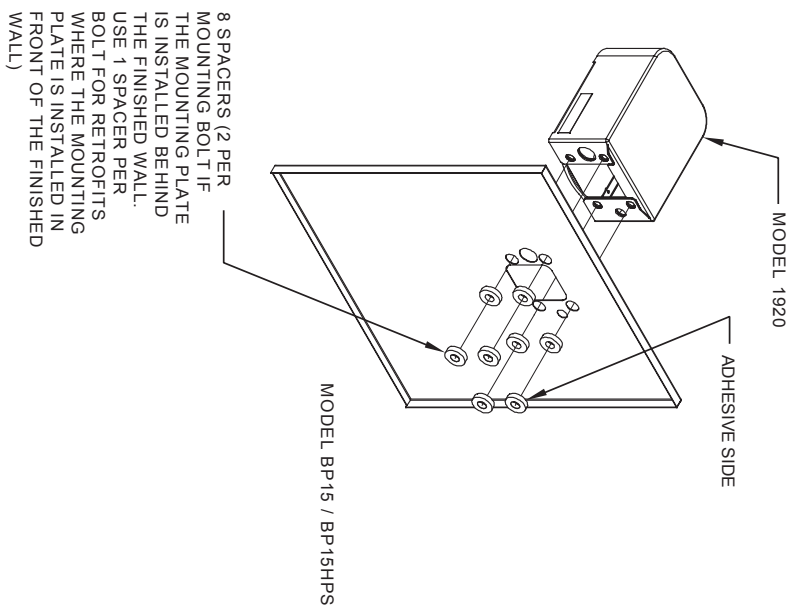
THIS DOCUMENT IS TRUE AND CORRECT AT TIME OF PUBLICATION. CONTINUED PRODUCT IMPROVEMENTS MAKE SPECIFICATIONS AND MEASUREMENTS SUBJECT TO CHANGE WITHOUT NOTICE.



**MODEL BP15 / BP15HPS**

- NOTES:  
 1. WHEN INSTALLING THIS UNIT, LOCAL, STATE OR FEDERAL CODES SHOULD BE ADHERED TO.

©2017 Haws Corporation - All Rights Reserved. HAWS® and other trademarks used in these materials are the exclusive property of Haws Corporation.



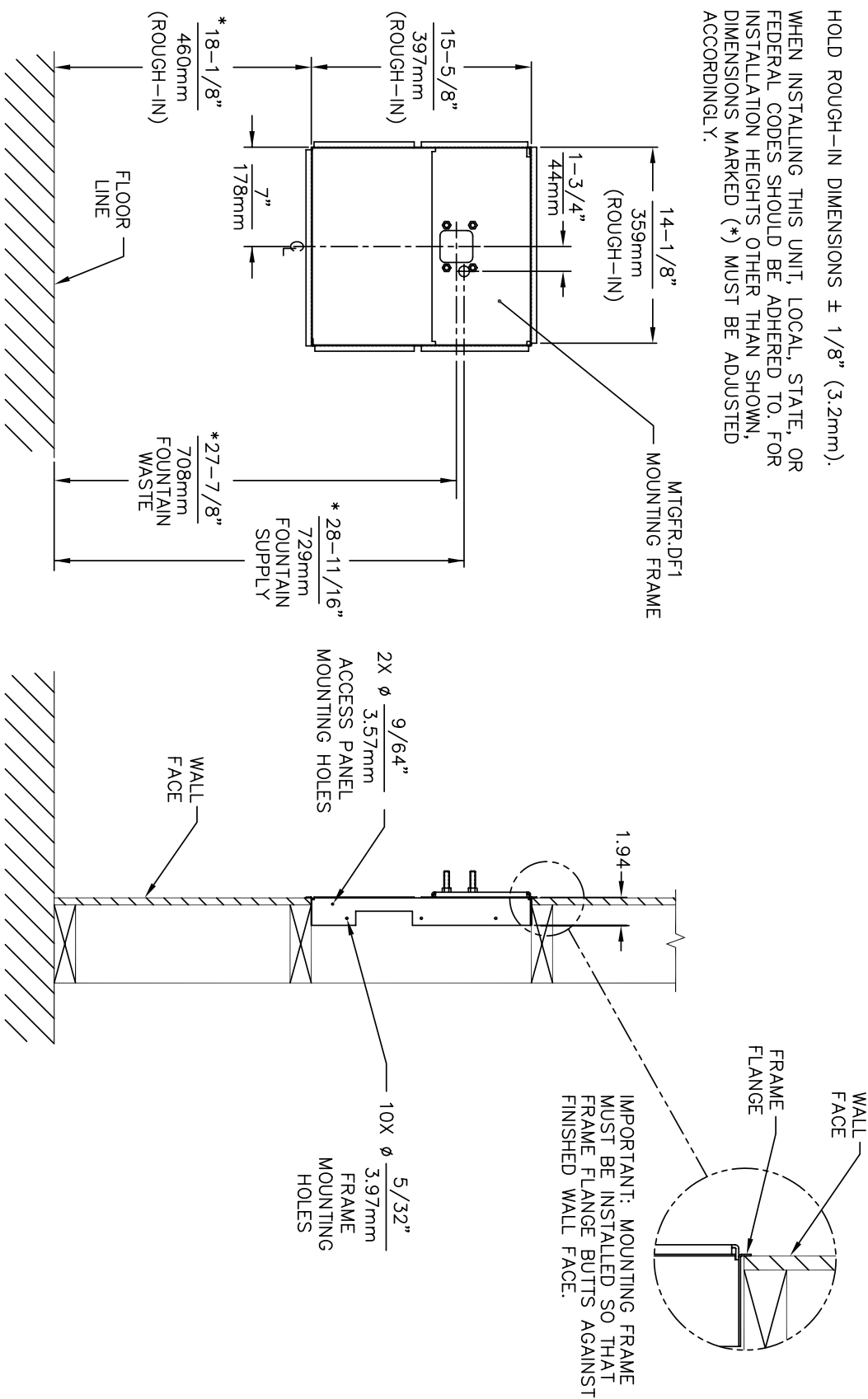
**INSTALLATION OVER SINGLE FOUNTAIN**  
 SHOWN FROM REAR

		1455 KLEPPPE LANE SPARKS, NEVADA 89431 (775) 359-4712 FAX (775) 359-7424 E-MAIL: HAWS@HAWSCO.COM WEBSITE: WWW.HAWSCO.COM	
ECN NO.	REVISED PER BR.	MODEL(S)	PART NUMBER
DRAWN	DATE	GC	1001-20
DESIGN	DATE	CHKD	REVISION
APPROVED	DATE		0A.1
SCALE: 1:1		DRAWING TYPE:	INSTALLATION
		SIZE: A	SHEET 2 OF 2

THIS DOCUMENT IS TRUE AND CORRECT AT TIME OF PUBLICATION. CONTINUED PRODUCT IMPROVEMENTS MAKE SPECIFICATIONS AND MEASUREMENTS SUBJECT TO CHANGE WITHOUT NOTICE.

HOLD ROUGH-IN DIMENSIONS  $\pm 1/8"$  (3.2mm).

\* WHEN INSTALLING THIS UNIT, LOCAL, STATE, OR FEDERAL CODES SHOULD BE ADHERED TO. FOR INSTALLATION HEIGHTS OTHER THAN SHOWN, DIMENSIONS MARKED (\*) MUST BE ADJUSTED ACCORDINGLY.



FOR USE WITH MODELS:  
1000, 1001 & 1001HPS

<b>Haws Corporation</b>		MOUNTING FRAME X : 1-888-FAX-HAWS (1-888-329-4297)	
TECH. NO.	PROJECT REF. NO.	MODEL(S)	FRAME X
DATE	DATE	DATE	DATE
SCALE	SCALE	SCALE	SCALE
DRAWING TYPE		INSTALLATION DRAWING	
DRAWING NUMBER		DRAWING NUMBER	
REV.		REV.	

1455 Kieppe Ln, Sparks NY, 89431  
 Phone: 775-359-4712 Fax: 775-359-7424  
 Haws Ag Bockweg 3 CH-3401 Burgdorf Switzerland  
 Haws Mig Pte Ltd 74 Sungai Kadut Loop Singapore 729531  
 e-mail: Haws@hawsco.com Website: www.hawsco.com